

**BMW
MOTORRAD**

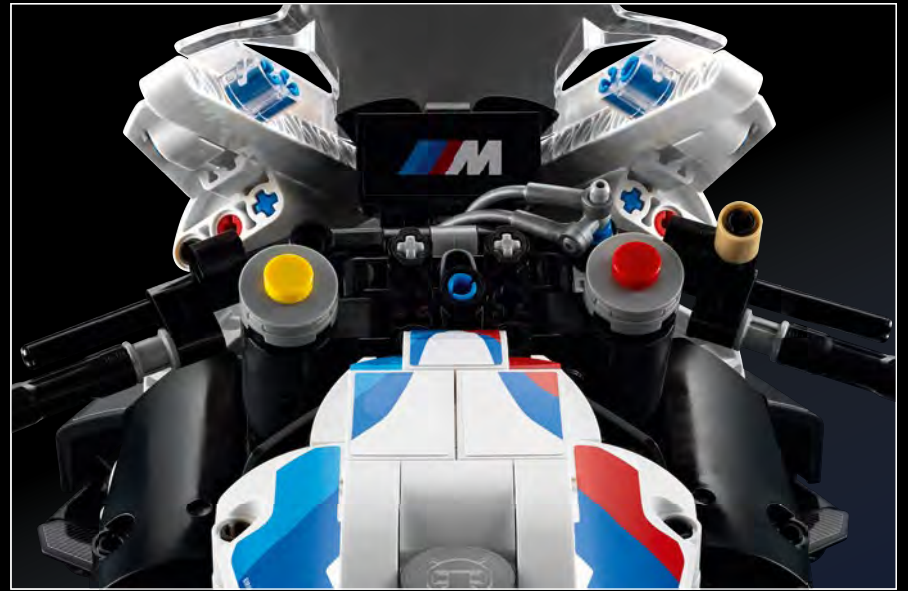
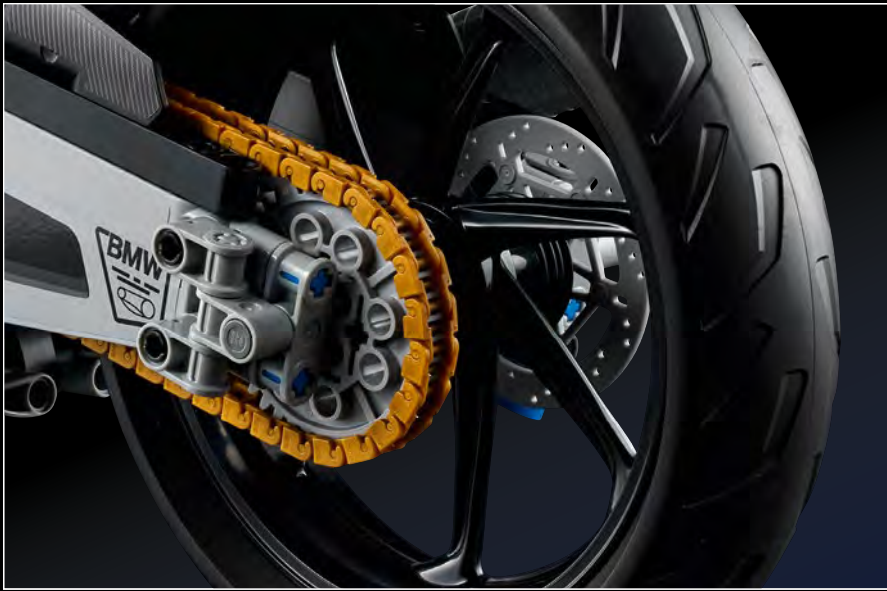


Booklet available in English on
Heft in deutscher Sprache erhältlich auf
Livret disponible en français sur
Libretto disponibile in italiano su
Folletto disponible en español en
如需中文版手册, 请访问









BMW M 1000 RR

When BMW Motorrad's in-house performance experts announced the first-ever M-developed motorcycle, the BMW M RR, everyone knew that the result was going to be something special. In the same way, the LEGO® Technic team realised it would take something never seen before to pay true tribute to the M RR. The result is both a motorcycle and a Technic model that are state-of-the-art within their respective fields.





THE PINNACLE OF PERFORMANCE

The quest for enhanced performance on both racetrack and road is what defines this M version of a high-performance motorcycle. With the original RR superbike as the perfect foundation, the BMW Motorrad team set about coaxing more power out of the water-cooled 999-cc inline four-cylinder engine, while also introducing design upgrades like carbon fibre wheels and titanium exhaust system to reduce overall weight.





A MATTER OF SCALE

The first challenge the LEGO® Technic designers faced was to set the scale of the model. Too small and it would be difficult to replicate the many features and functions of the real M RR. Too big and it would challenge the Technic building system. With a 1:5 scale, it became the largest Technic motorcycle model ever created. The Technic team worked closely with the designers and engineers at BMW Motorrad to ensure the LEGO Technic version was as close to the real M RR as possible.

SAMUEL TACCHI
Designer
LEGO® Technic





“

**IT TOOK ME BACK TO WHEN I WAS
DESIGNING MOTORCYCLES.”**

Samuel Tacchi



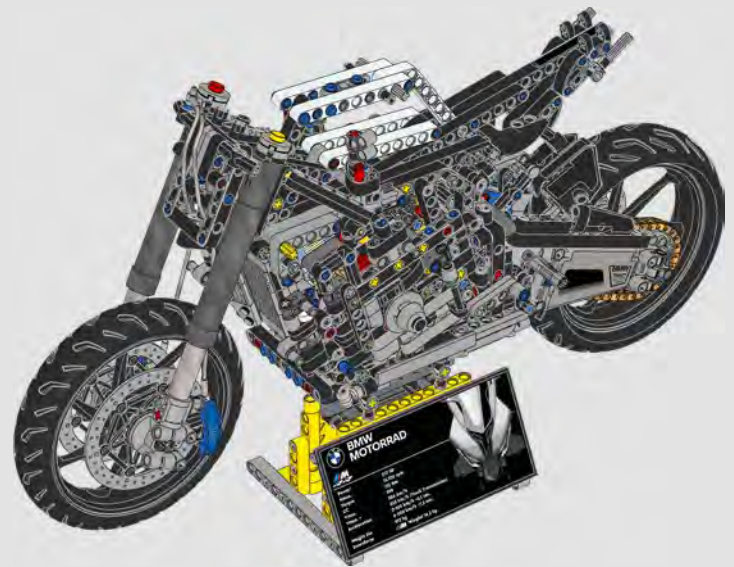
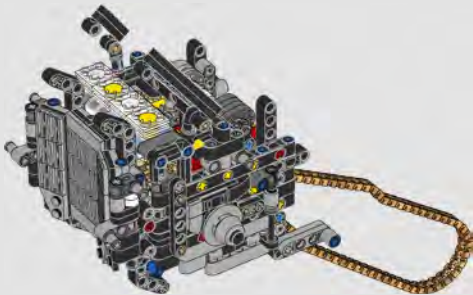
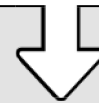
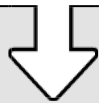
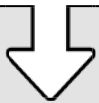
With a background in motorcycle design and a huge passion for riding them as well, LEGO® Technic designer Samuel Tacchi was the natural choice to lead this project.

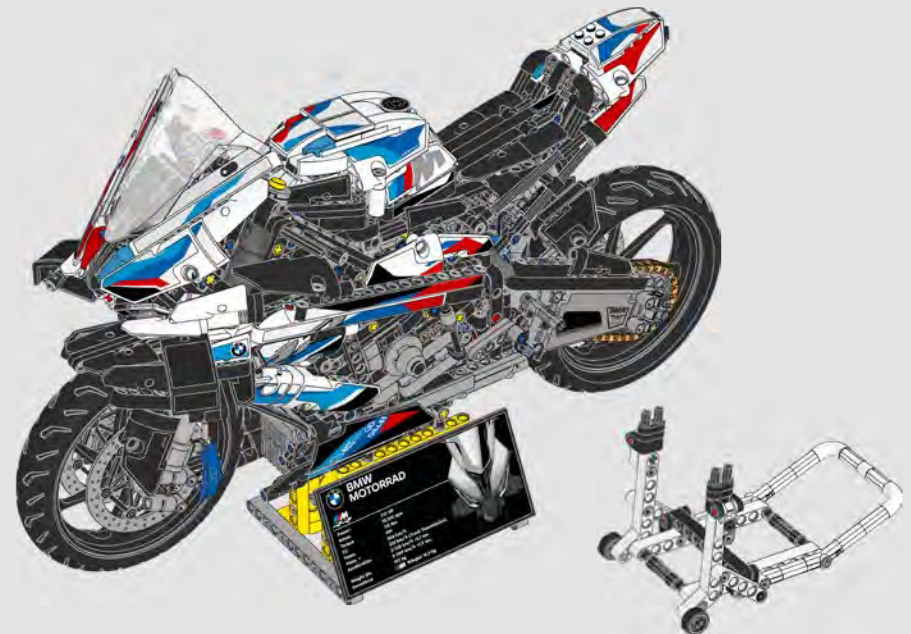
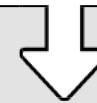
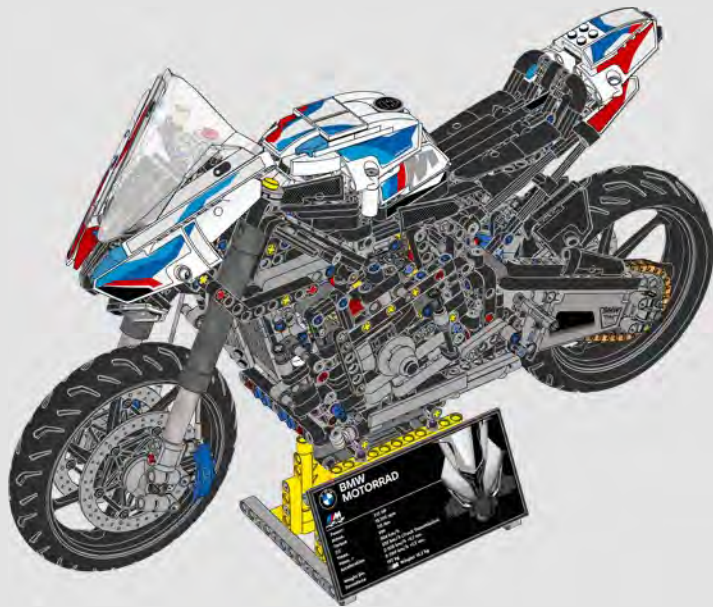
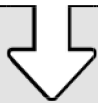


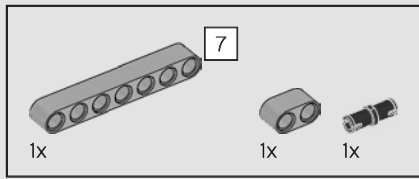
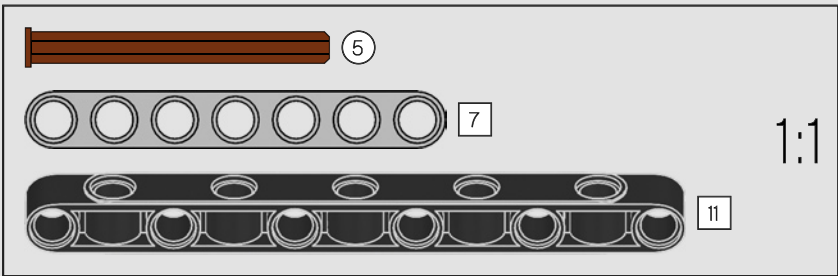
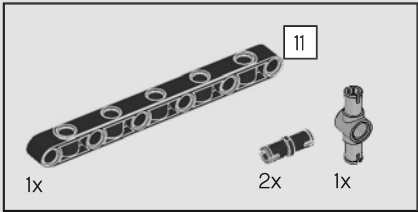
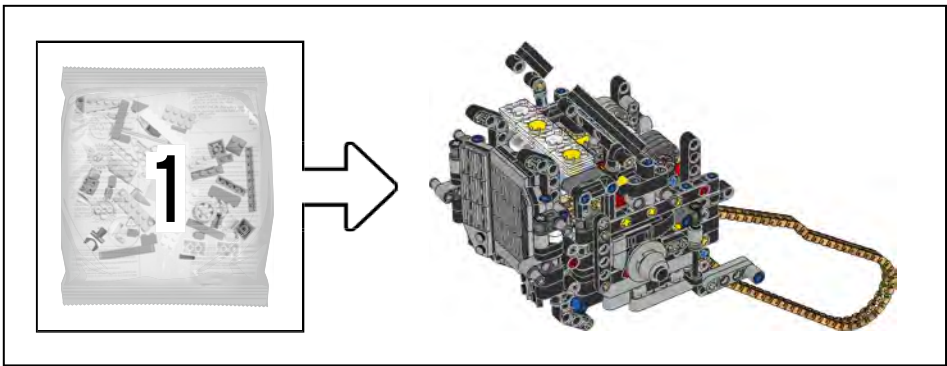


PUSHING THE TECHNIC BUILDING SYSTEM

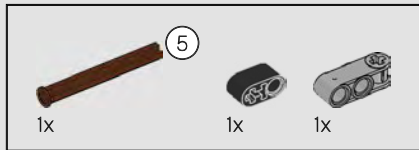
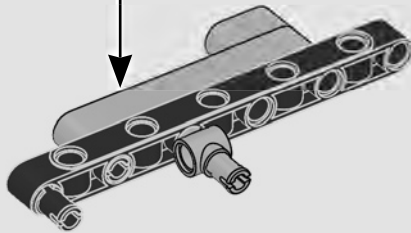
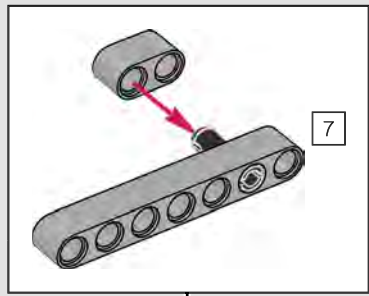
The Technic version of the M RR needed the design of eight new pieces and Senior Designer Daniel Sri Sudarsono oversaw this process. It started with the new front and rear suspension setup needed to support the 1.4 kg (3 lbs.) weight of the model. New rims, disc brakes and a transparent windscreen quickly followed, all of which had to be tried and tested before being approved for use in the final model.



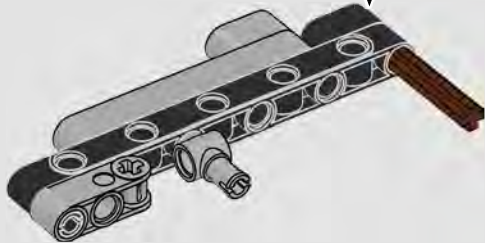
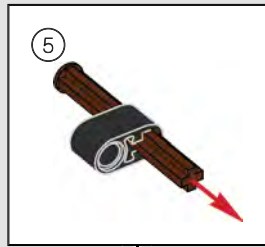




2

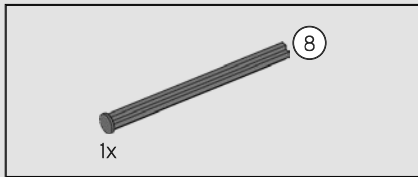
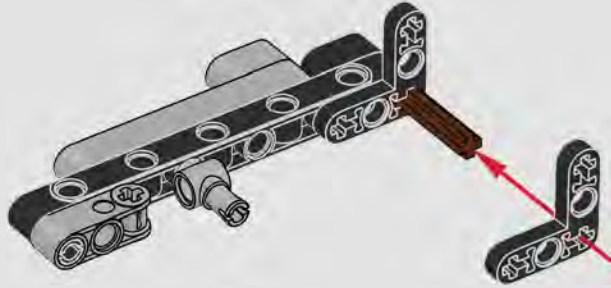


3

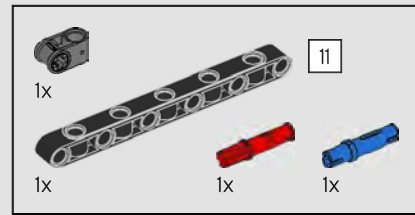
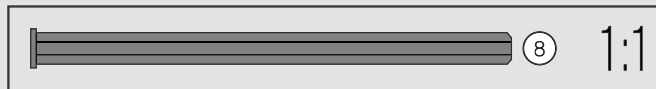
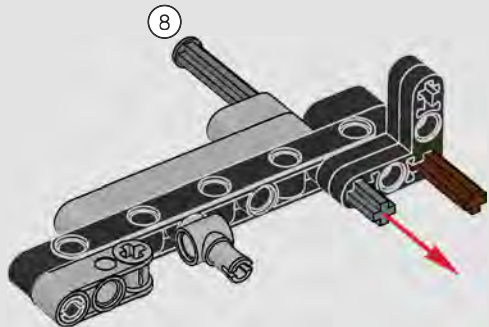




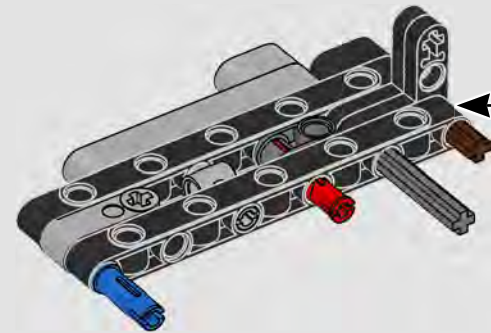
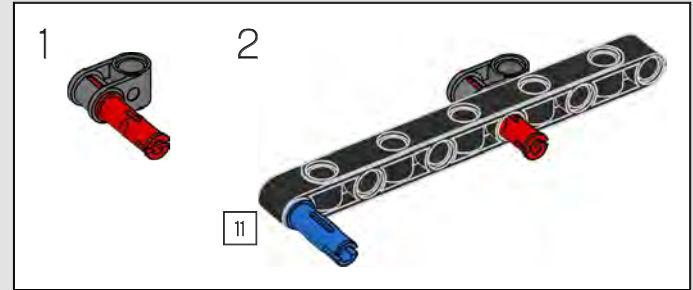
4

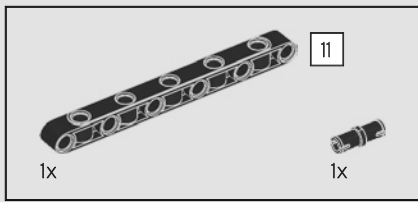


5

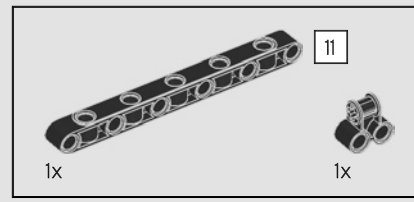
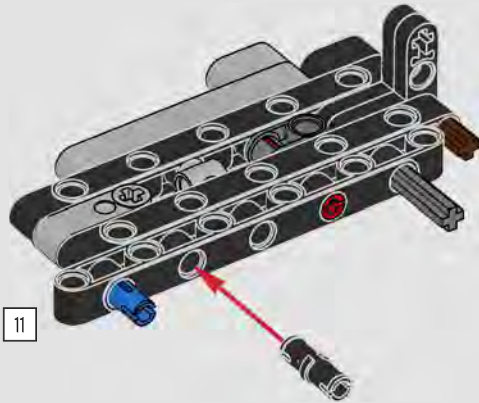


6

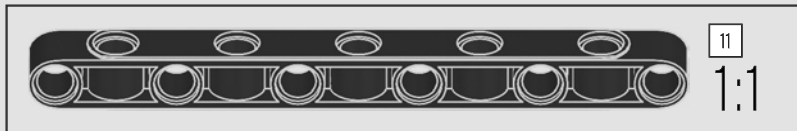
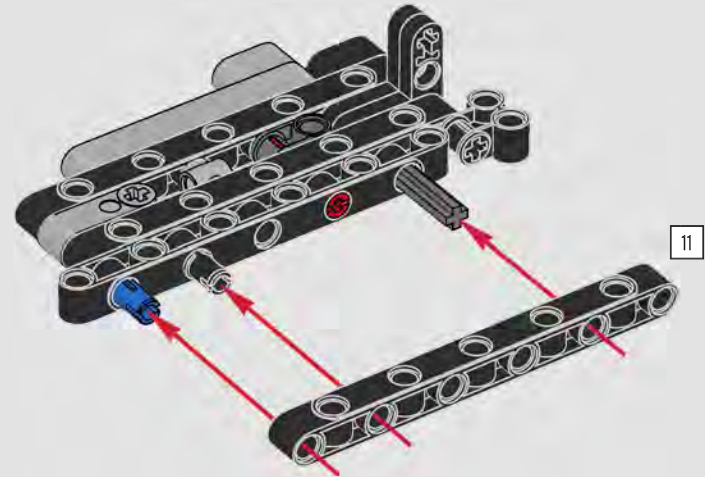


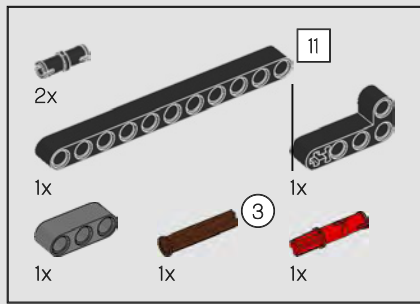


7

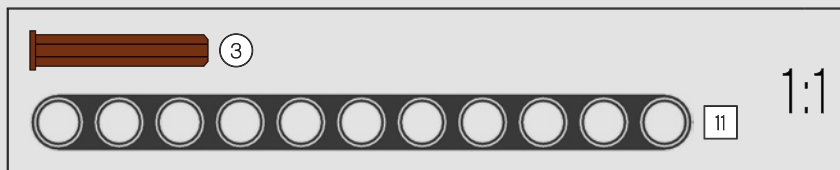
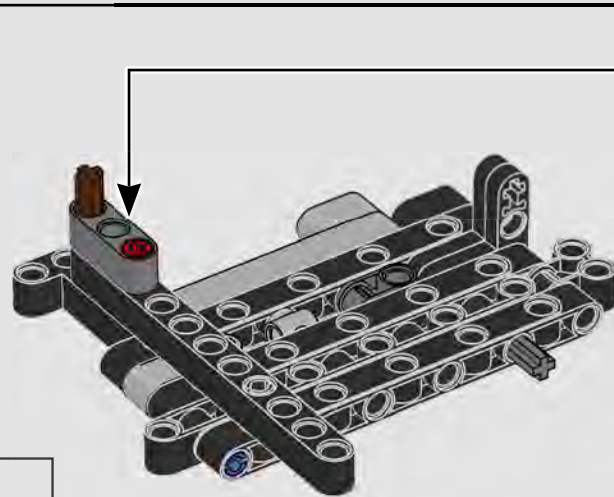
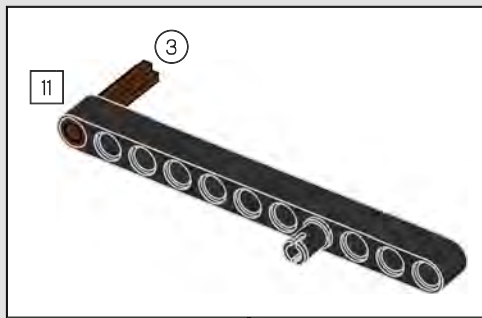
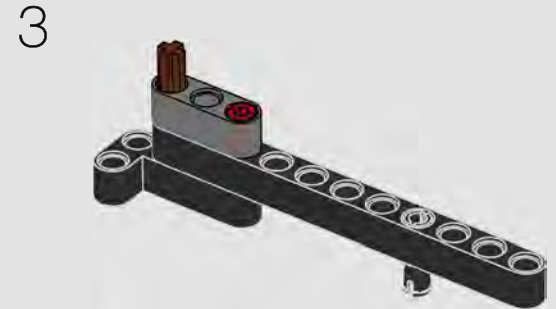
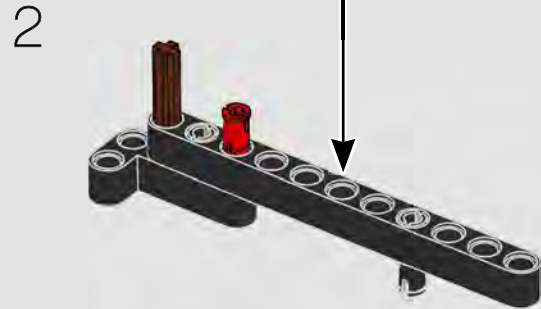


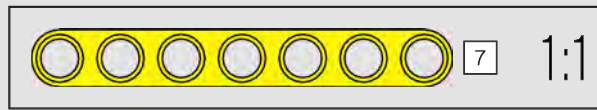
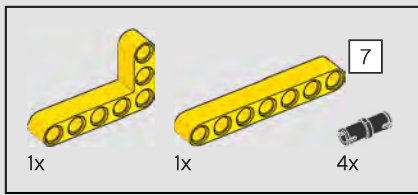
8



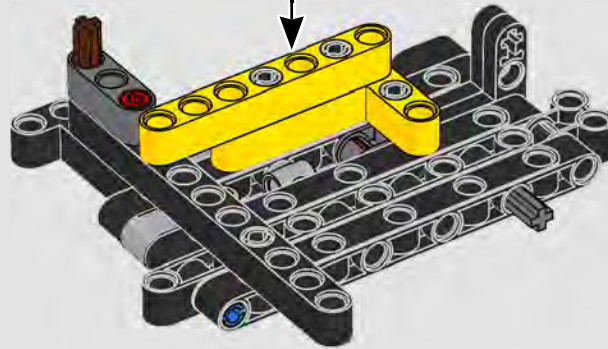
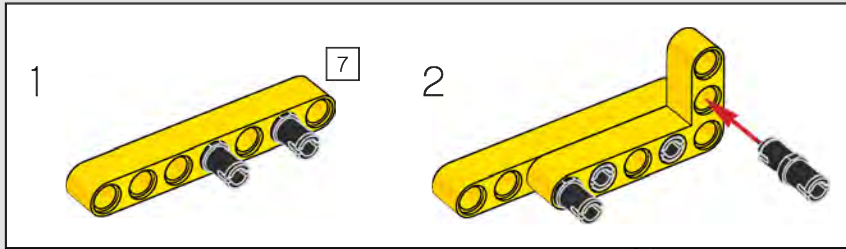


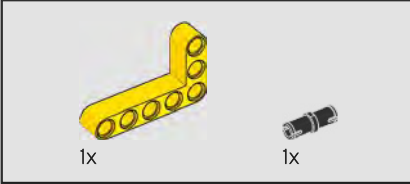
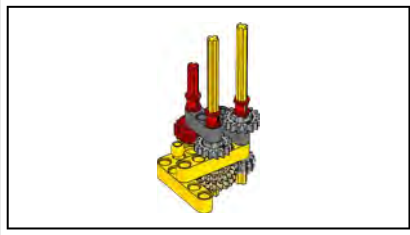
9



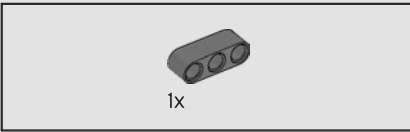
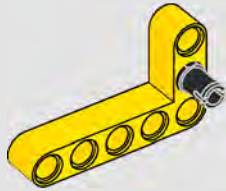


10

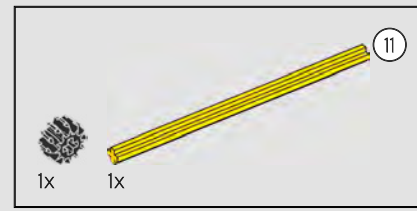
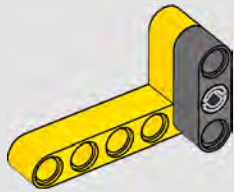




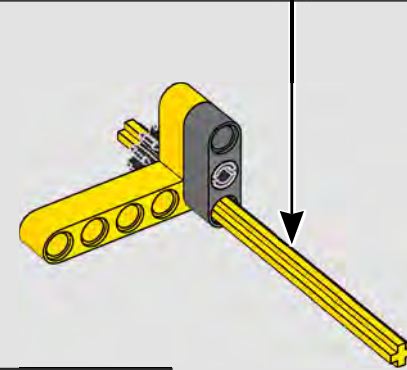
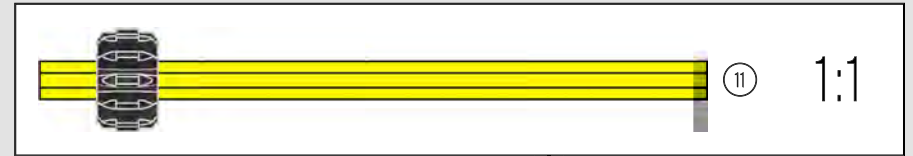
11



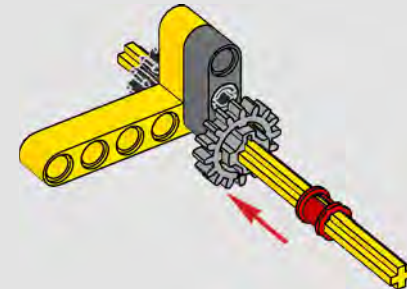
12

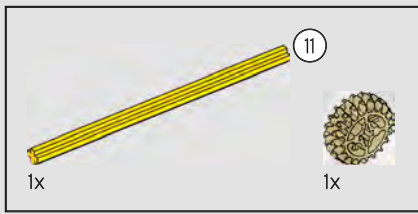


13

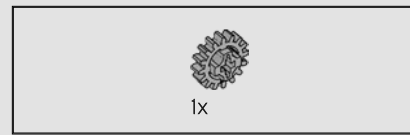
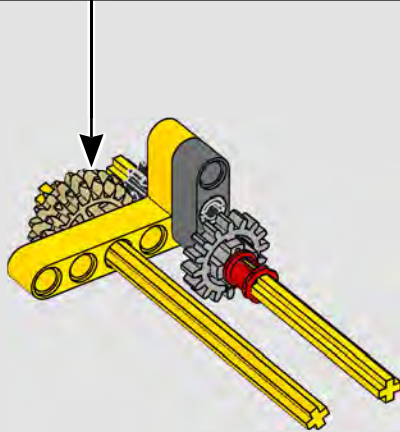
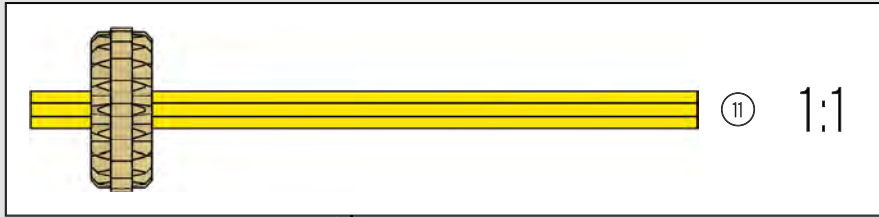


14

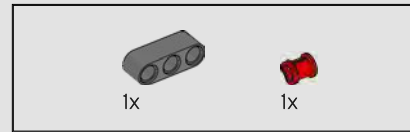
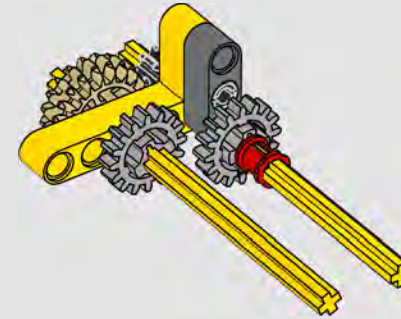




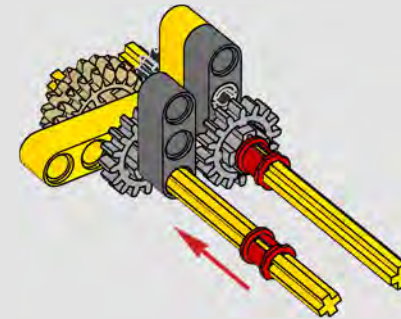
15

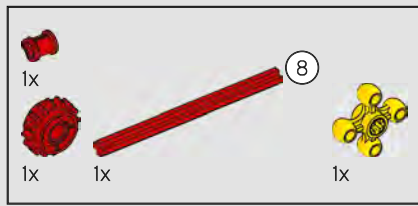


16

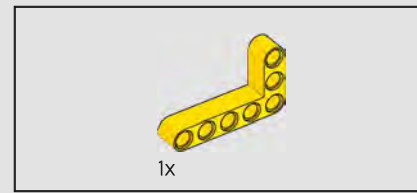
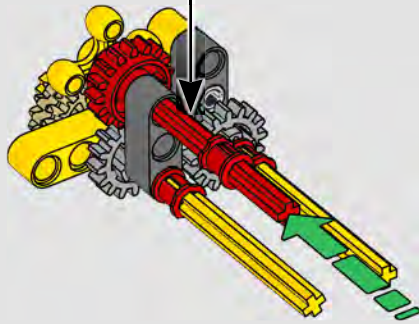
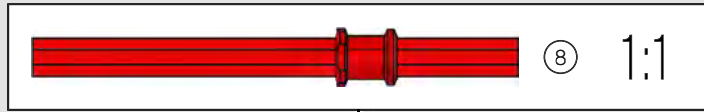


17

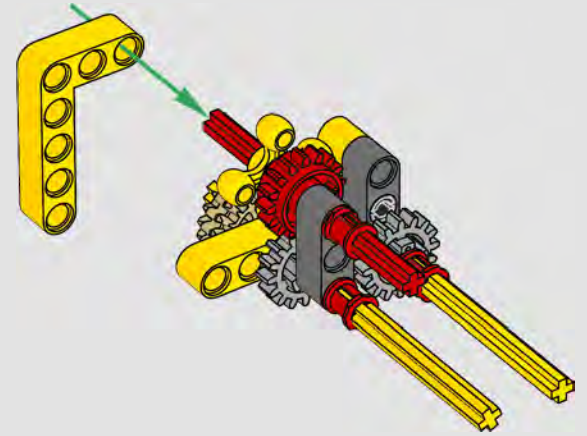




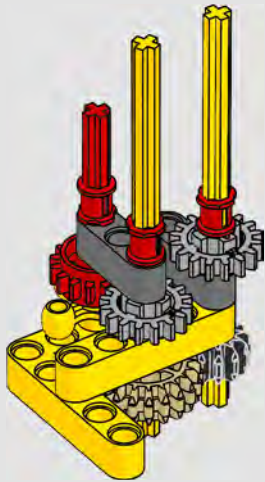
18



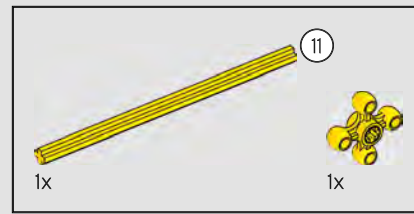
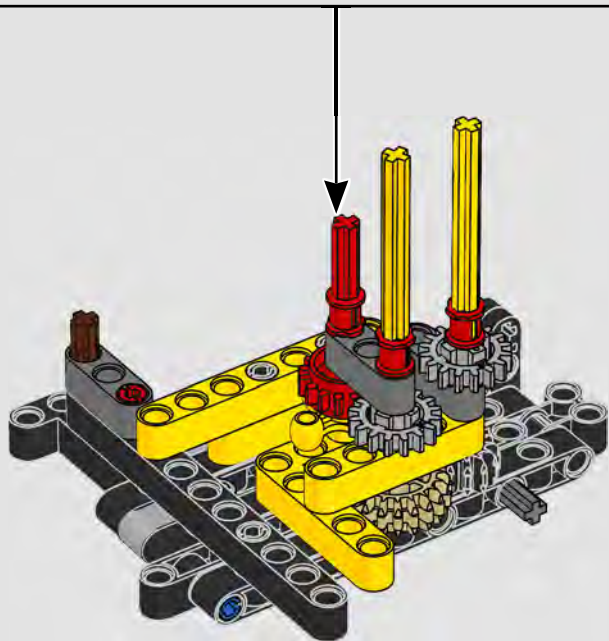
19



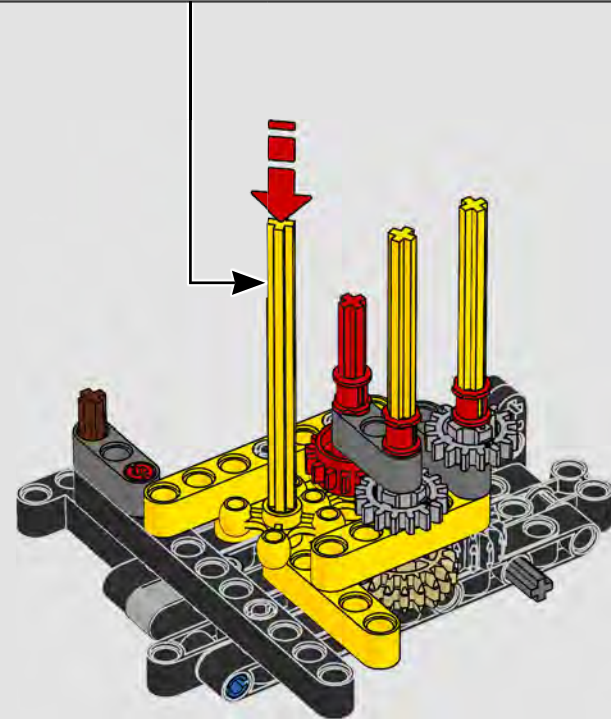
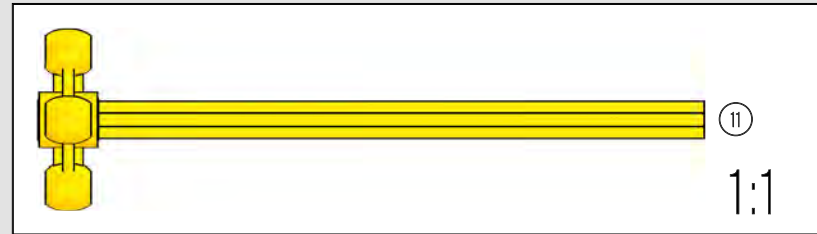
20

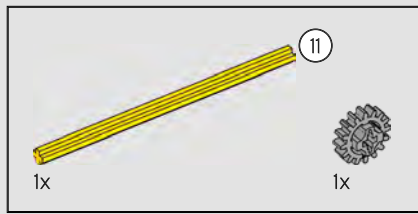


21

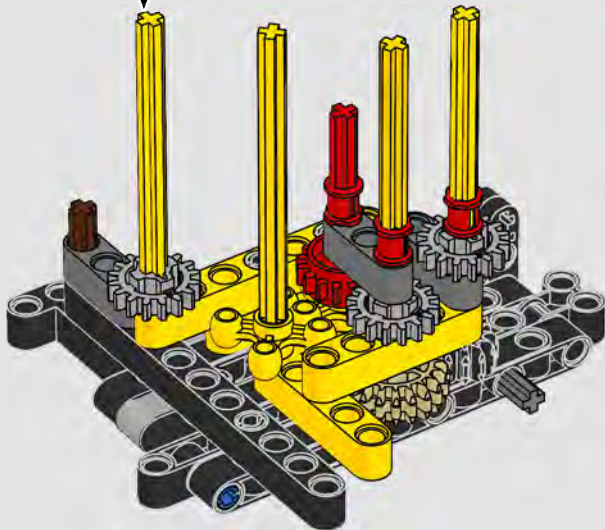
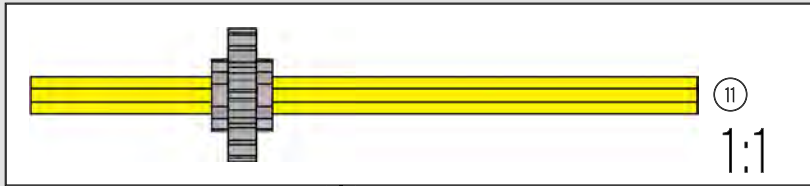


22

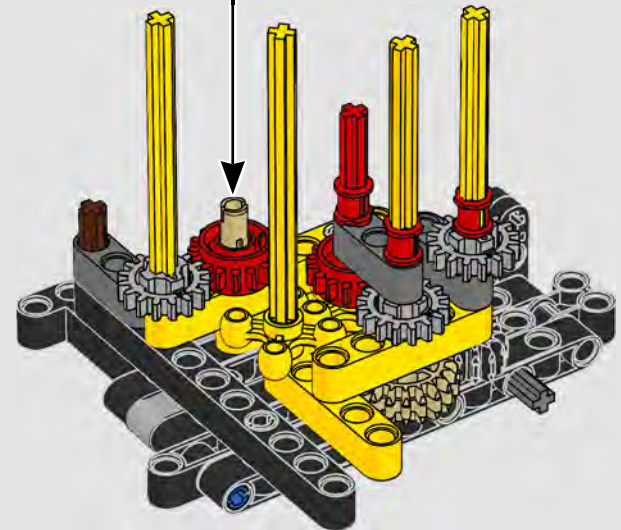
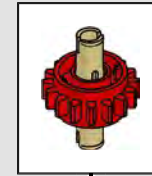


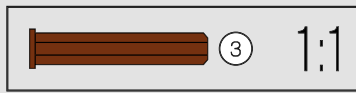
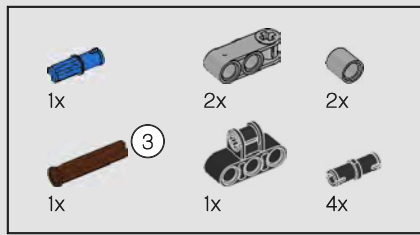


23

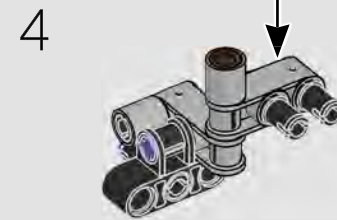
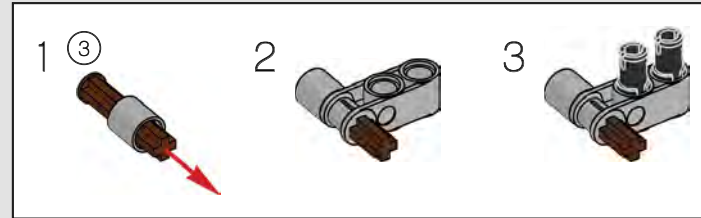
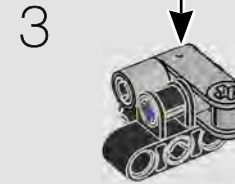
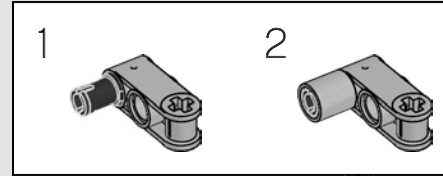


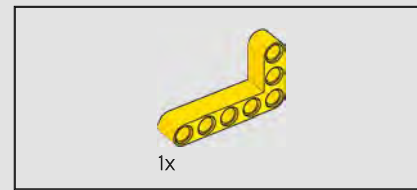
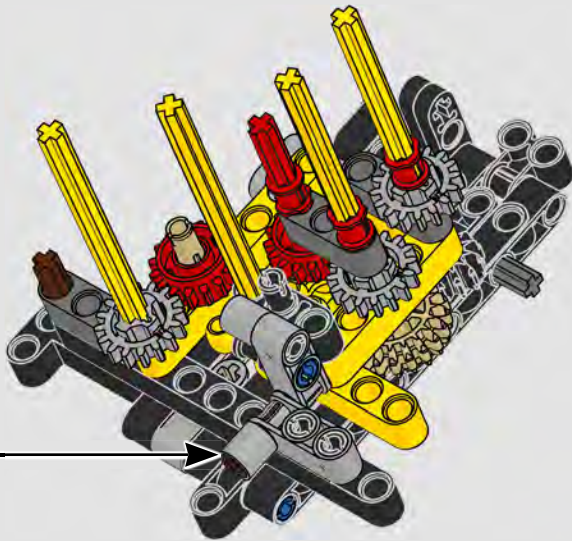
24



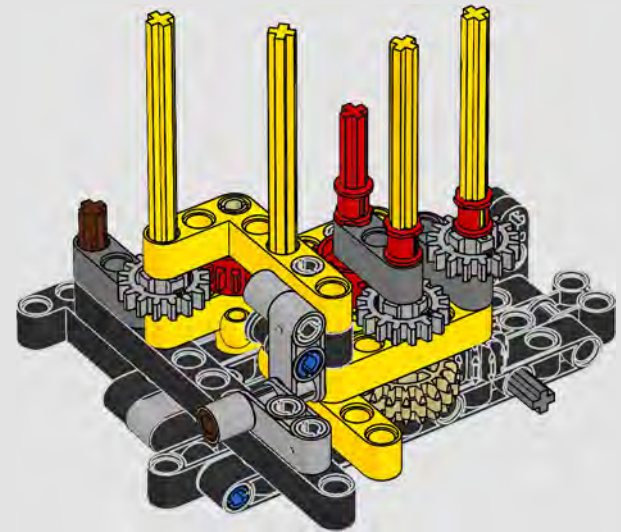


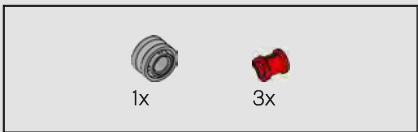
25



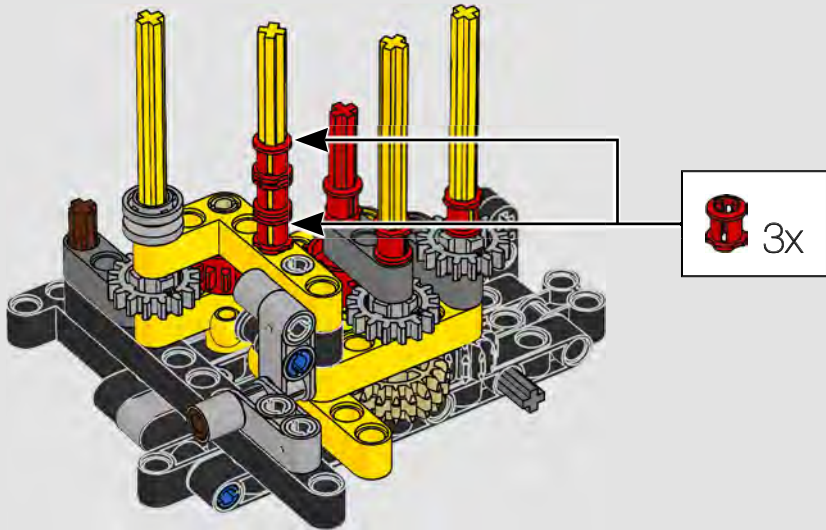


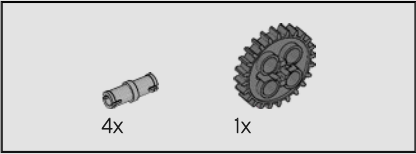
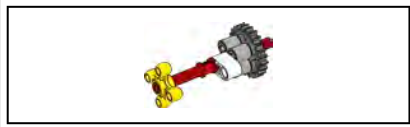
26



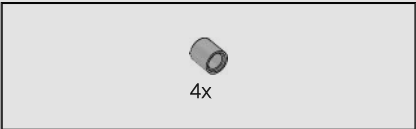


27





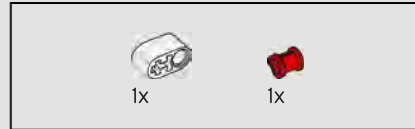
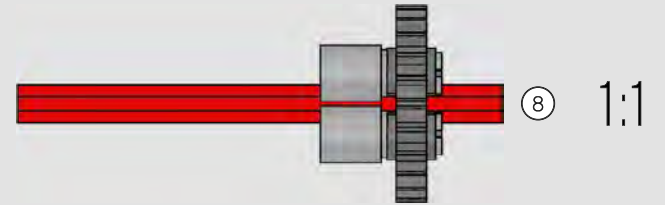
28



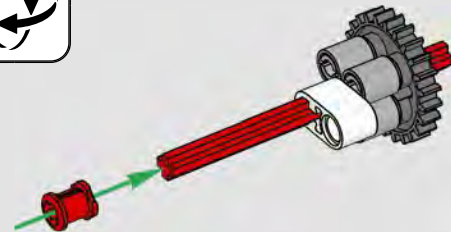
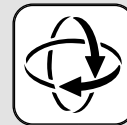
29



30



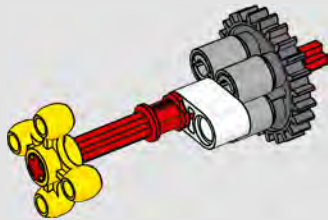
31



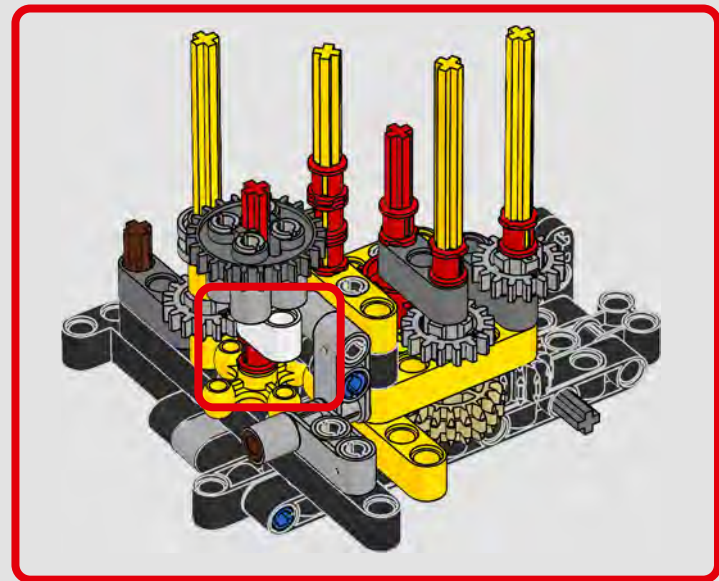
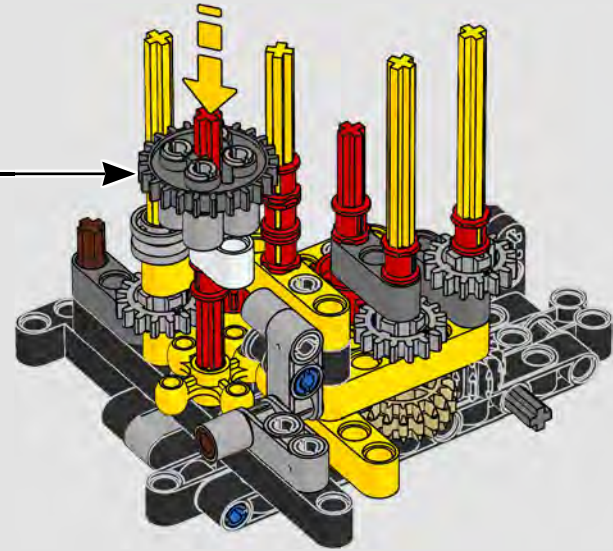


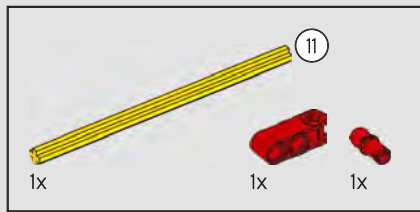
1x

32

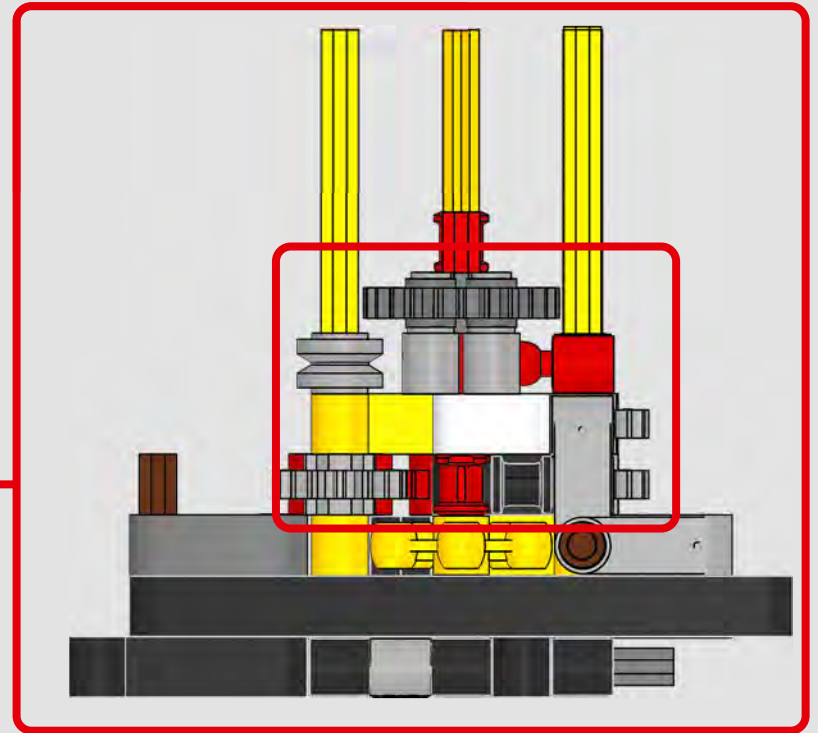
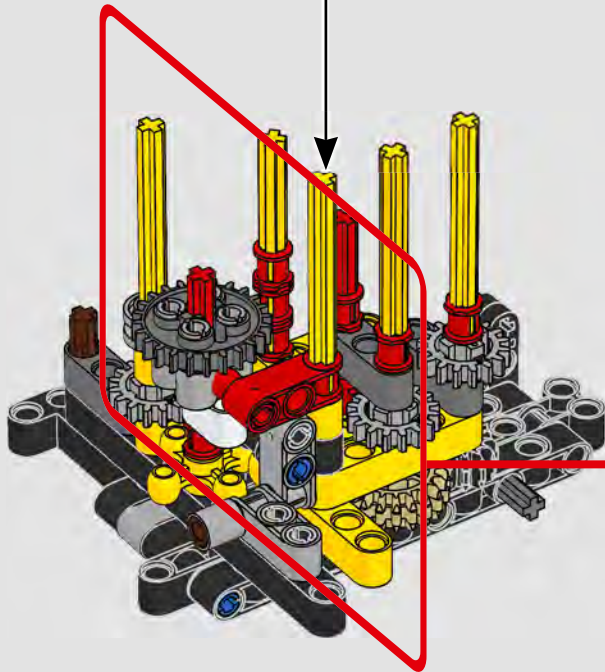
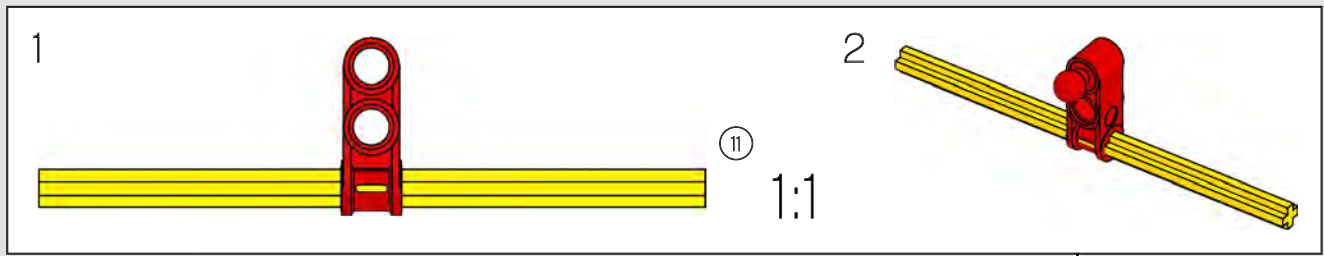


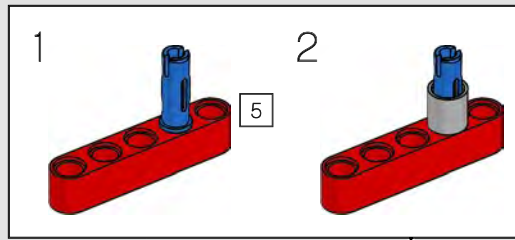
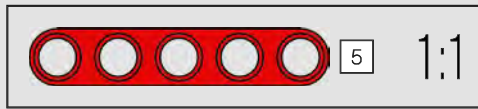
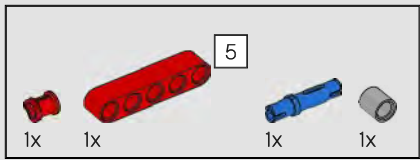
33



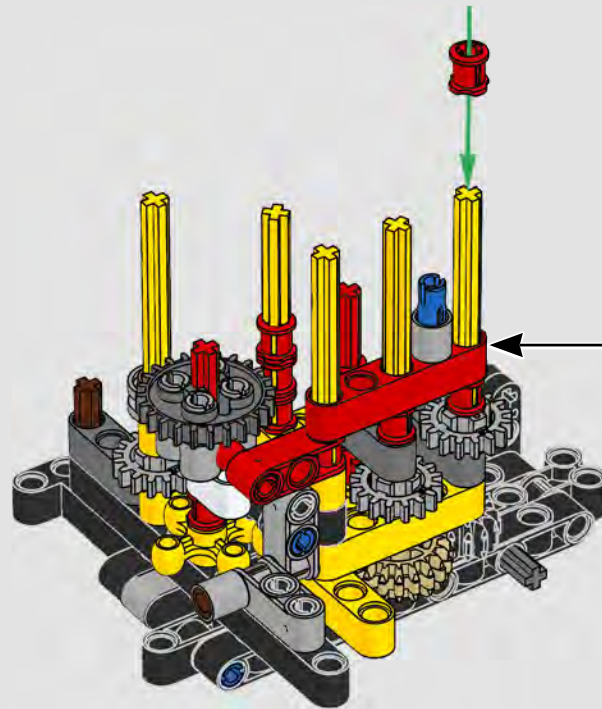


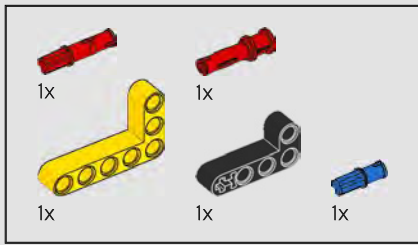
34



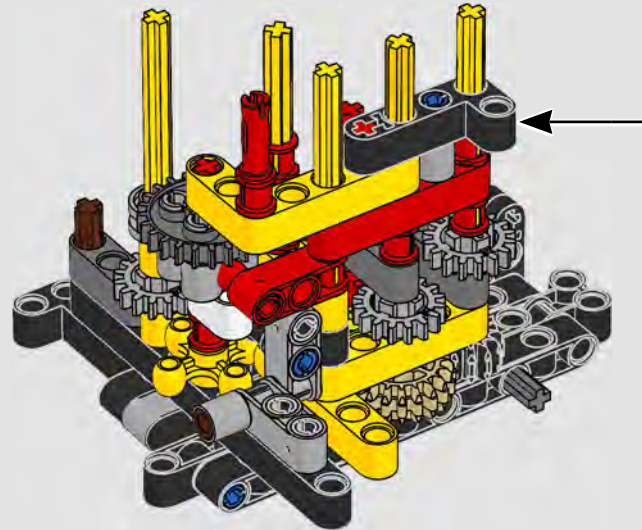
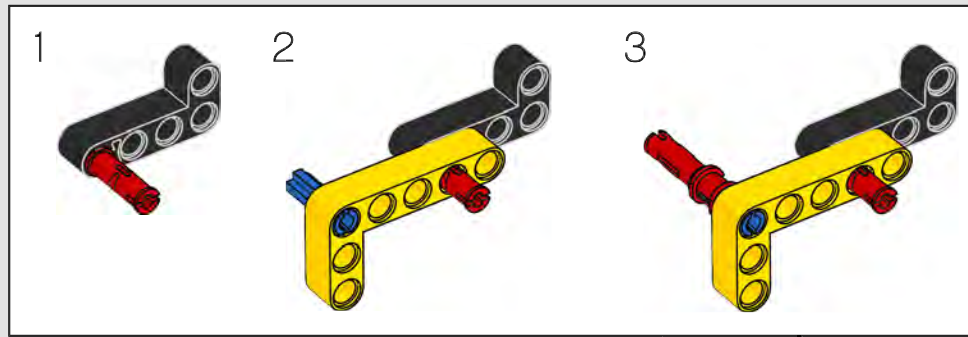


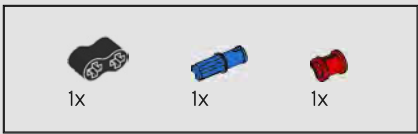
35



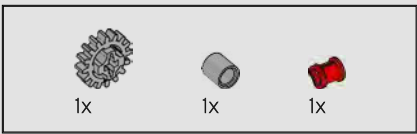
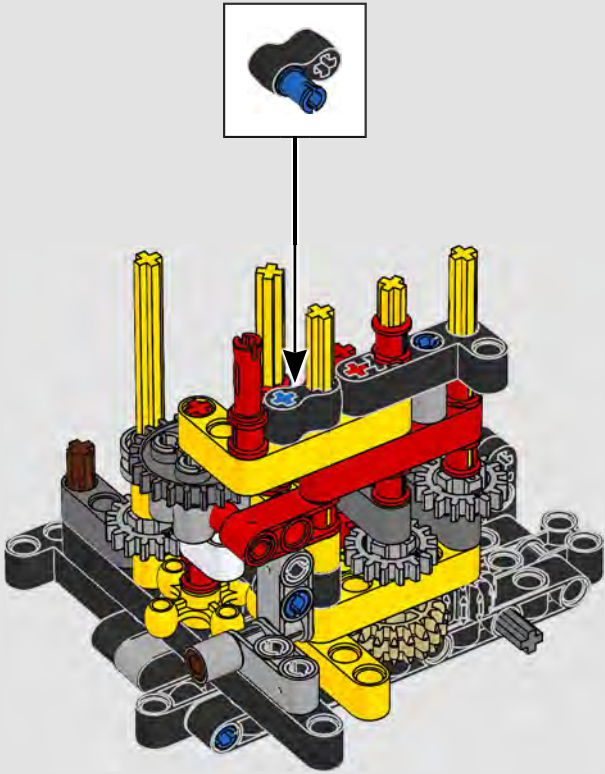


36

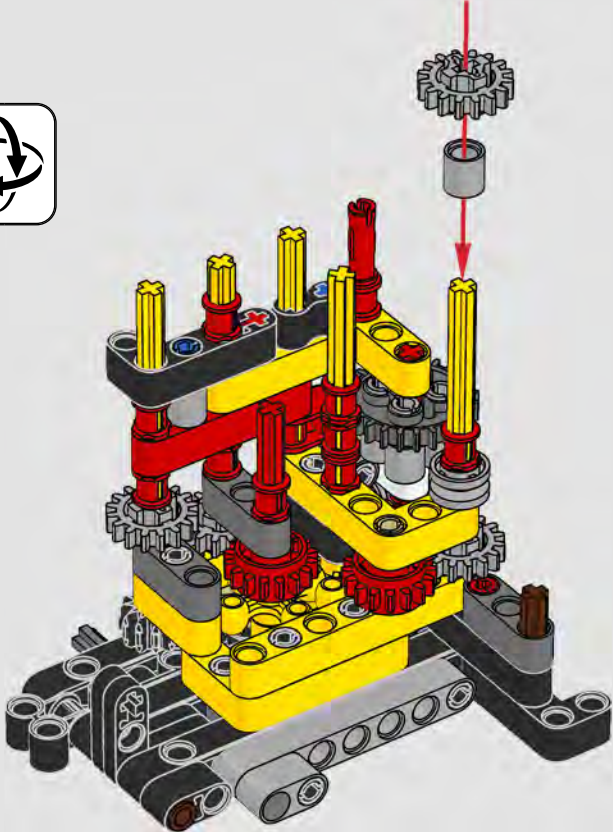


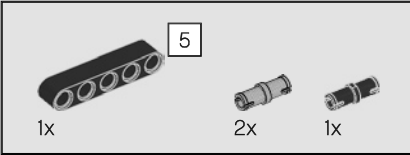


37

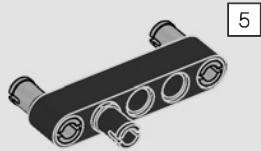


38

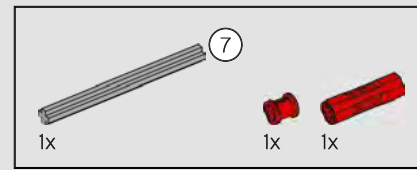
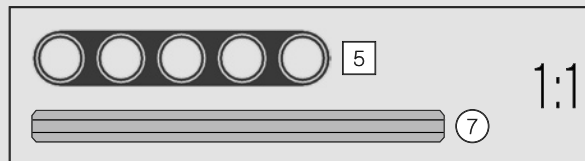




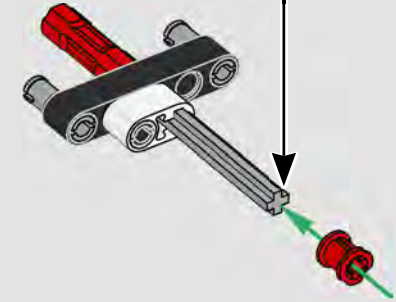
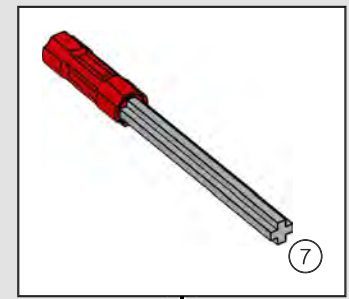
39



40

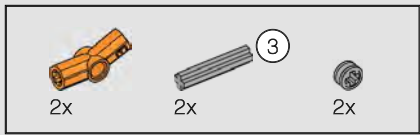


41

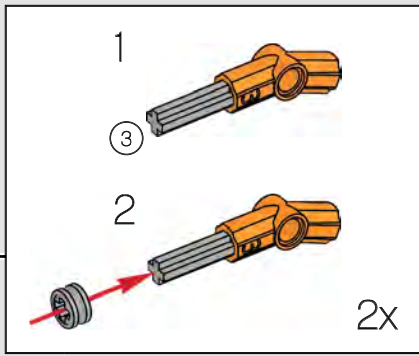
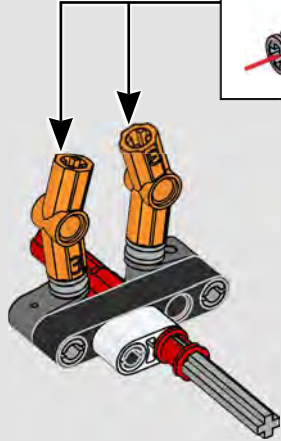


42

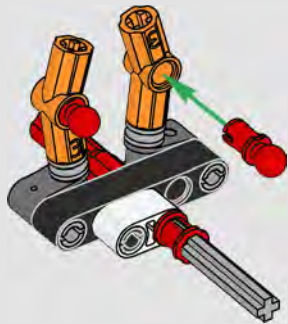




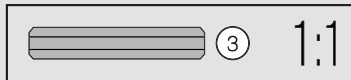
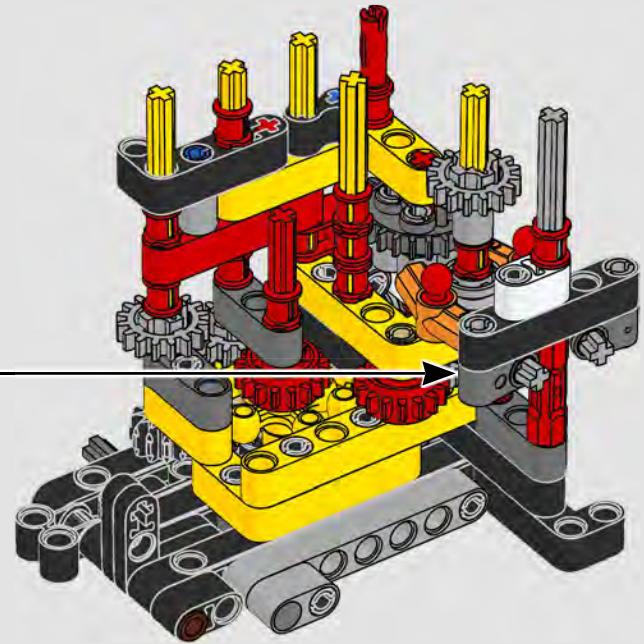
43



44

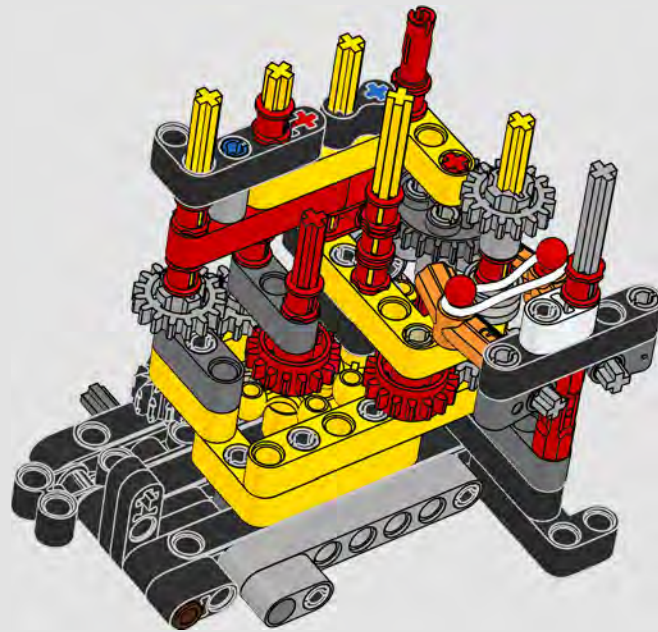


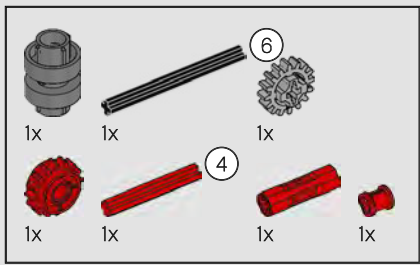
45



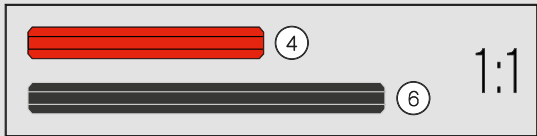
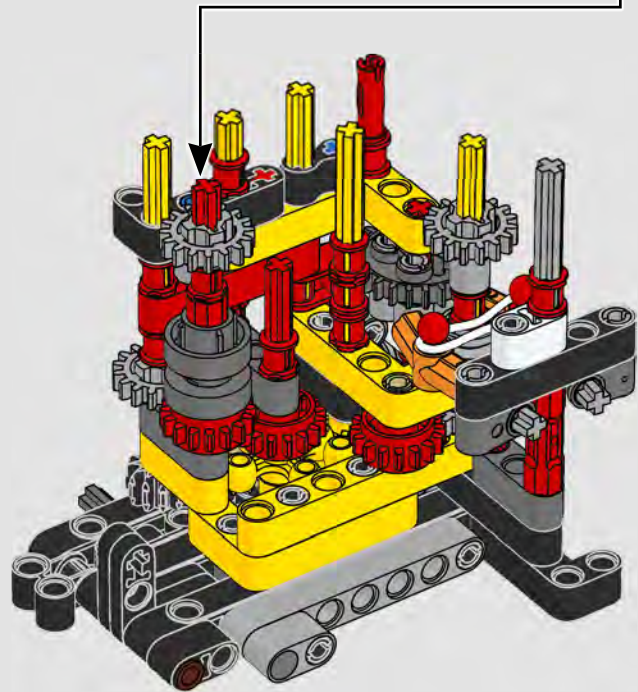
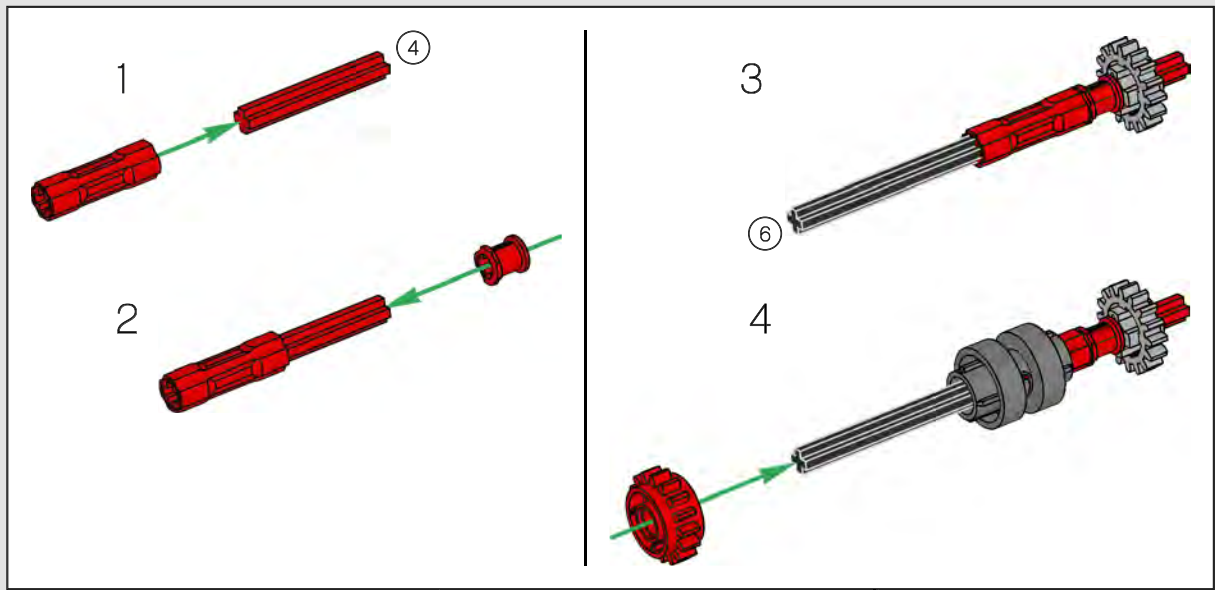


46



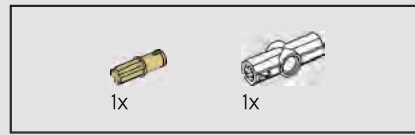
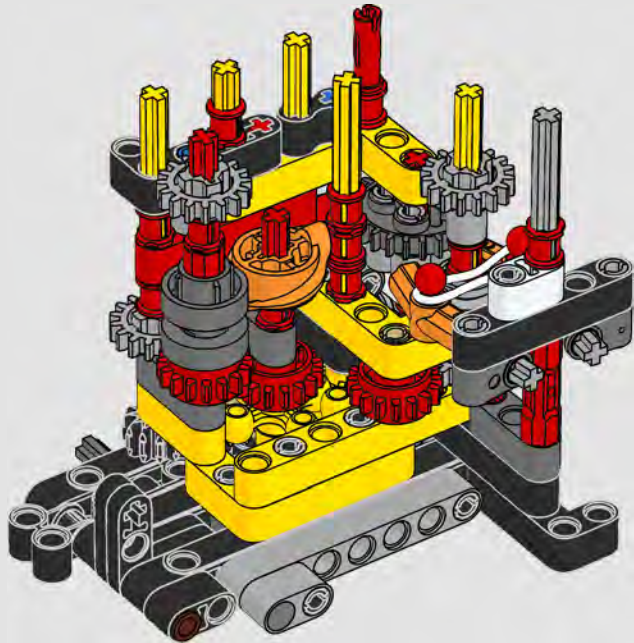
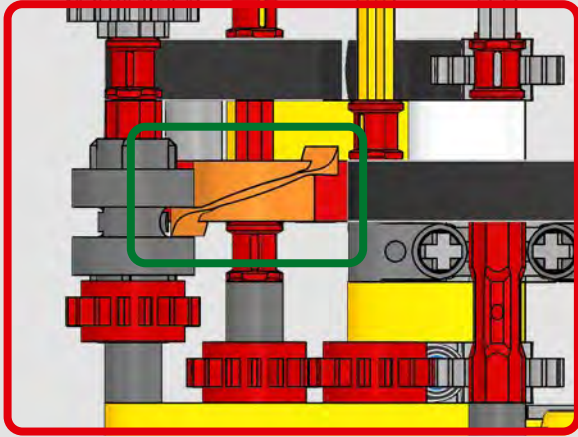


47

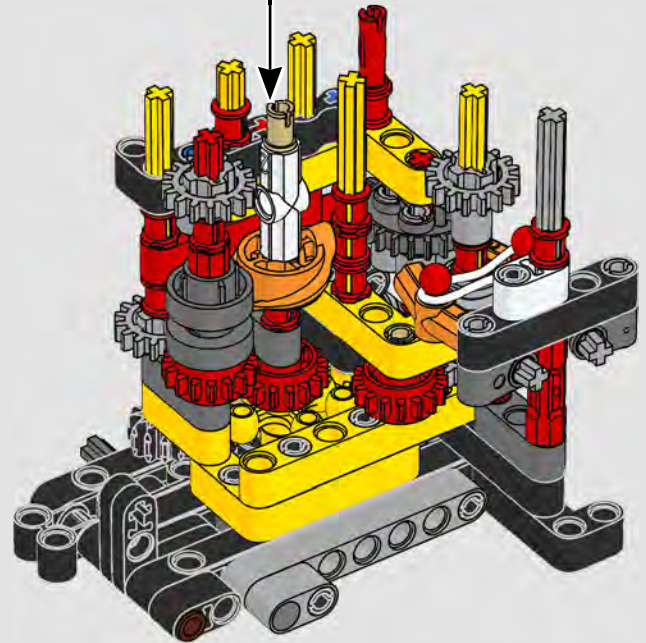
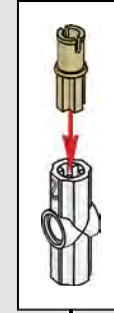




48

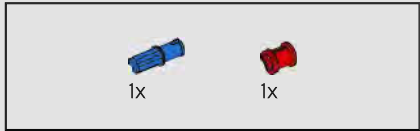
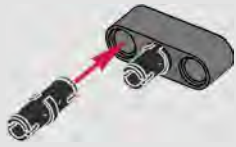


49

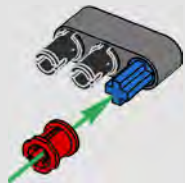




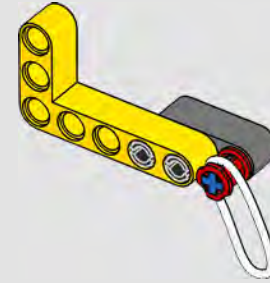
50



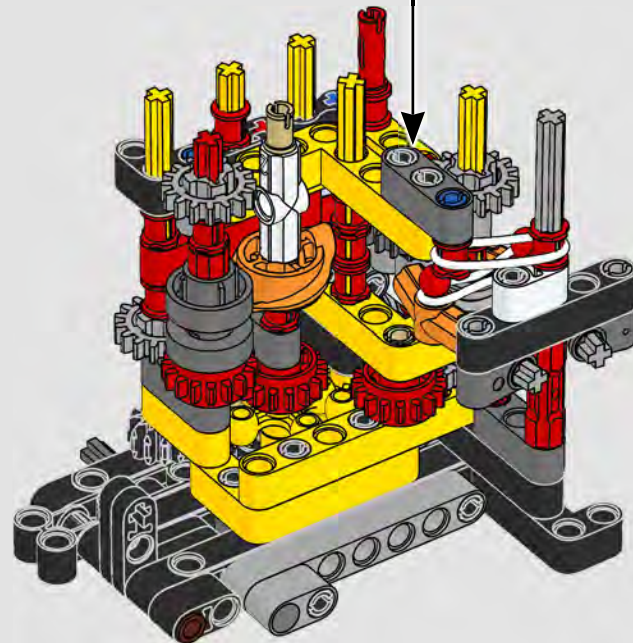
51

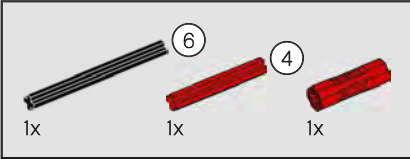
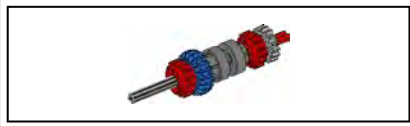


52

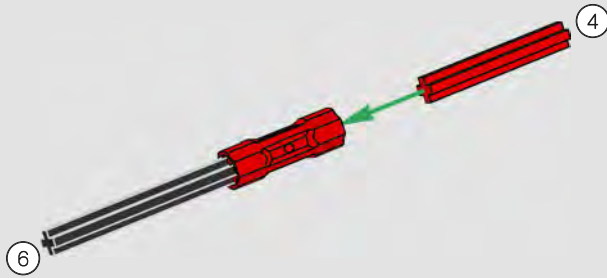


53

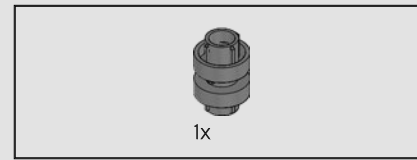
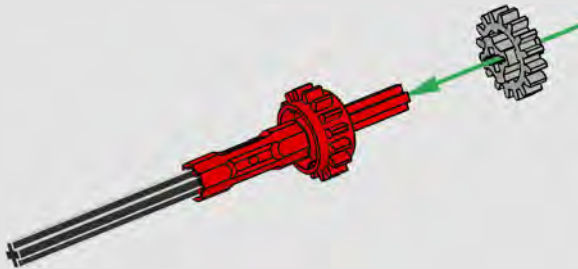




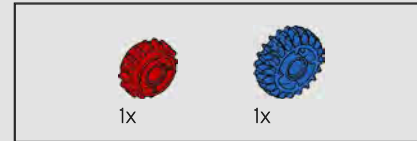
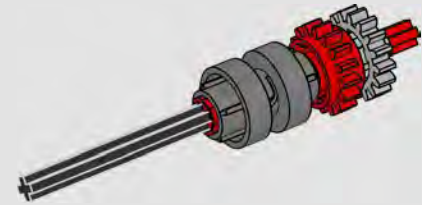
54



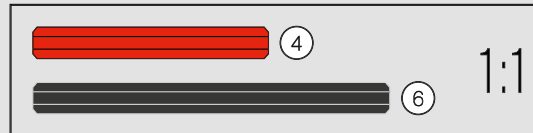
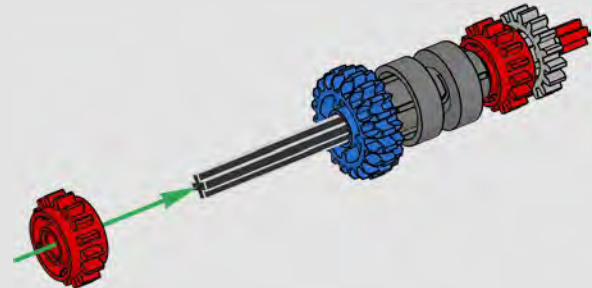
55

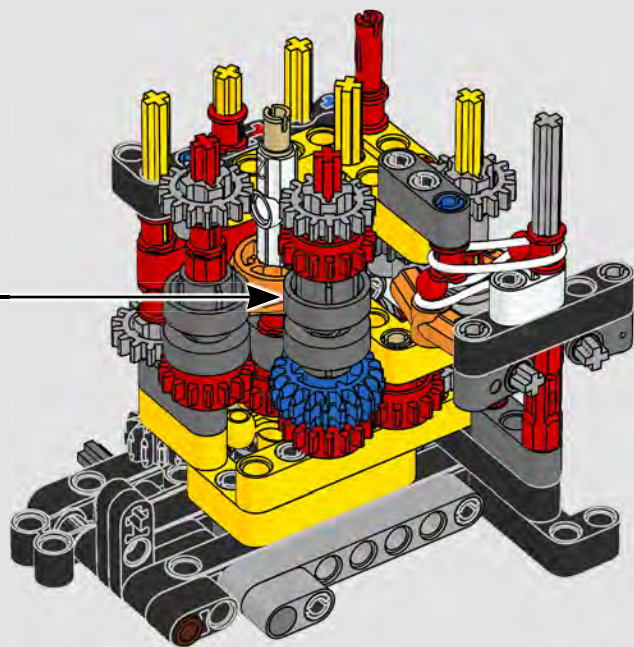


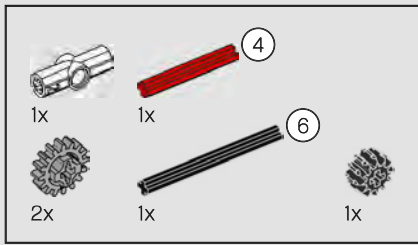
56



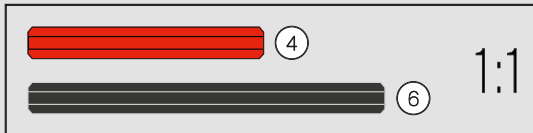
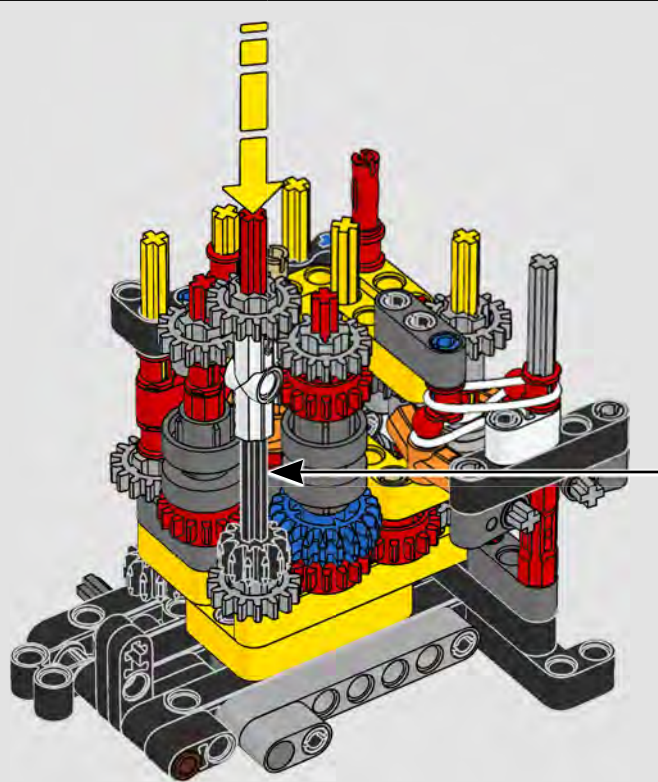
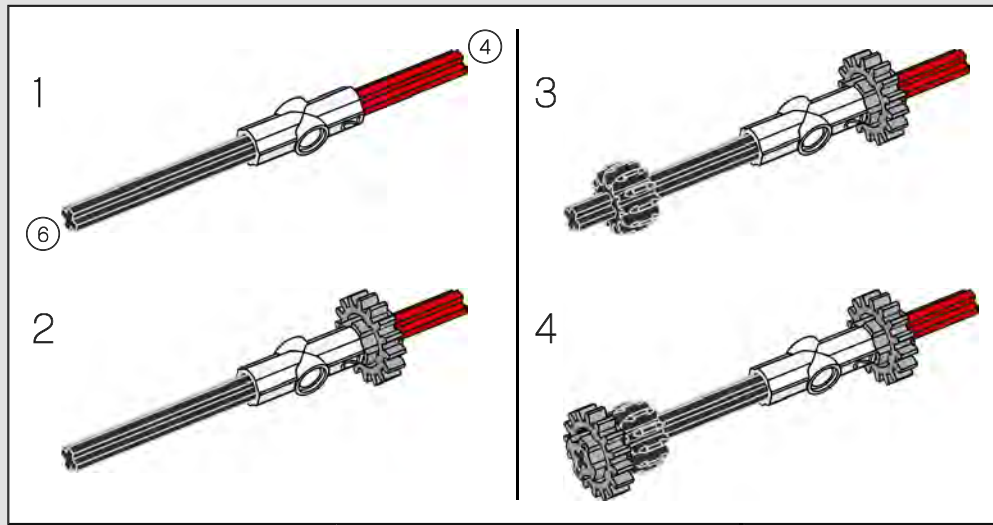
57

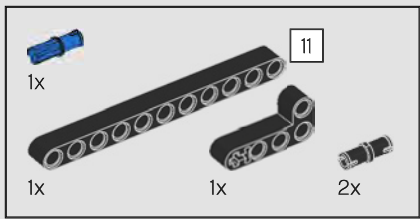




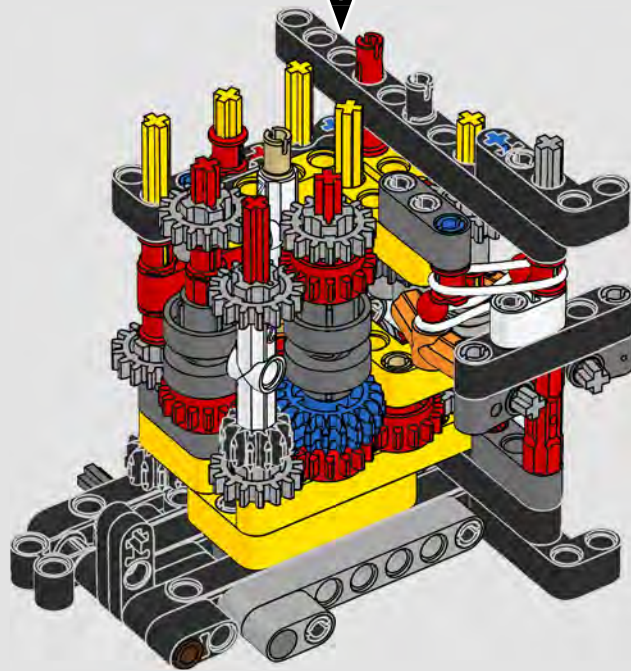
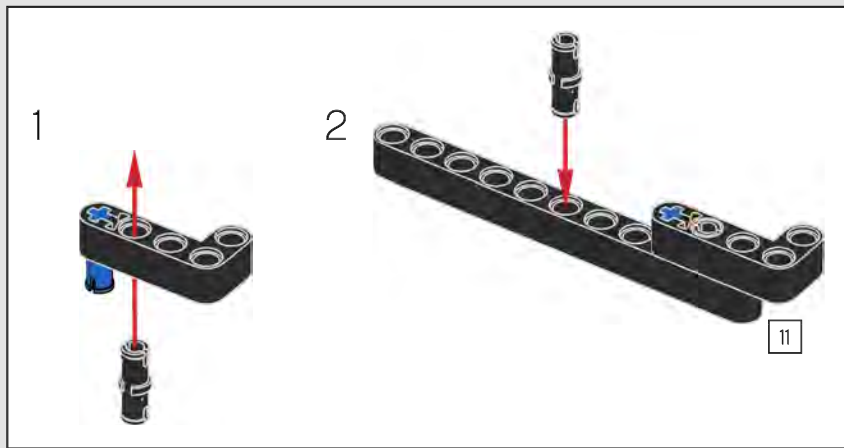


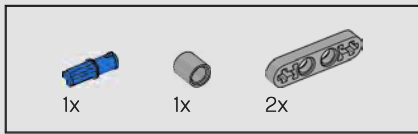
59



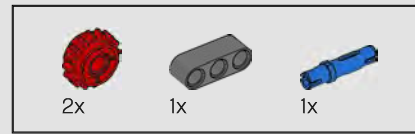
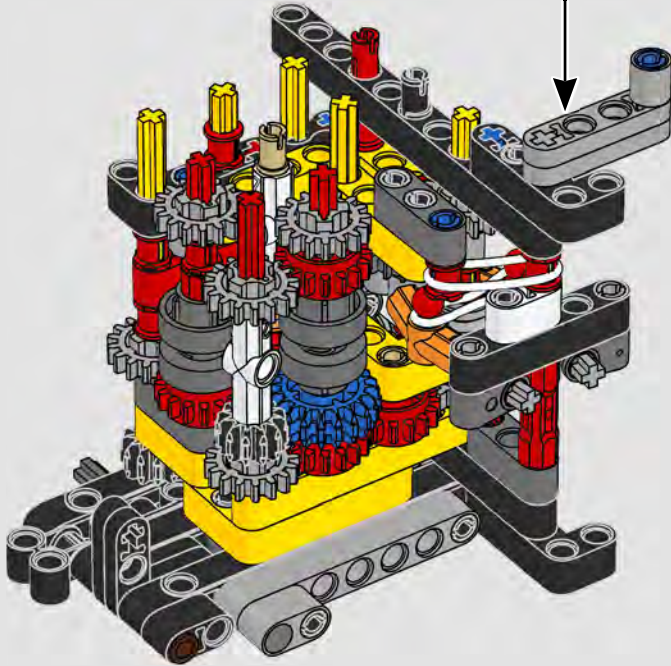
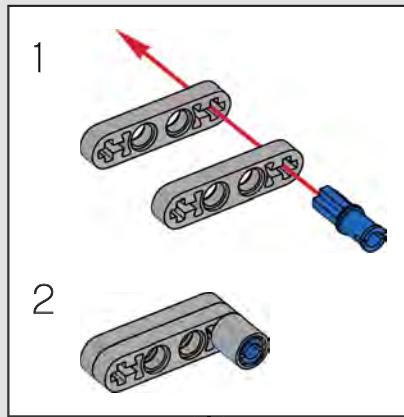


60

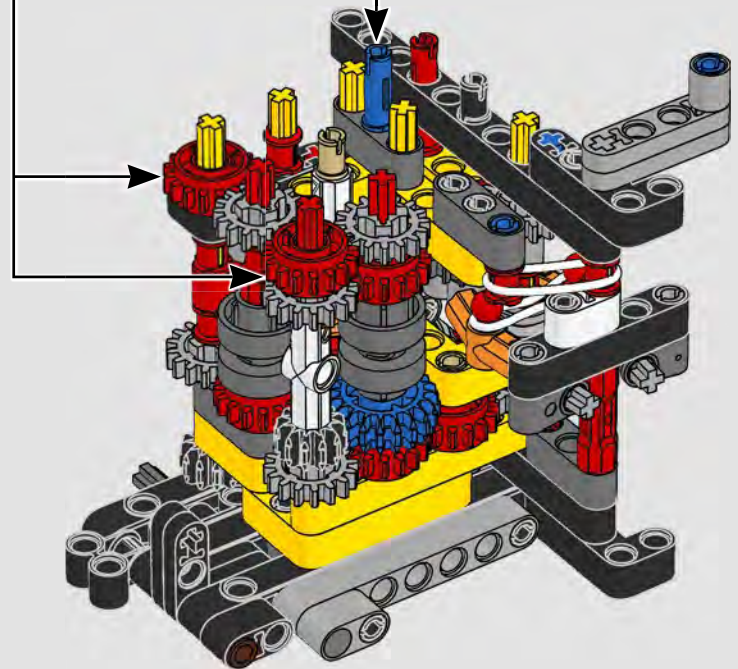


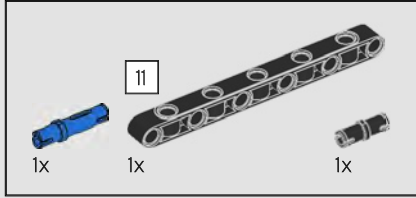
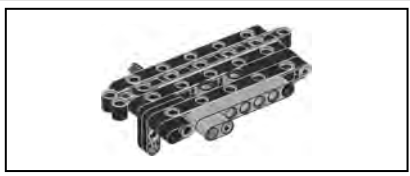


61

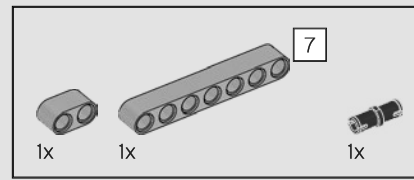
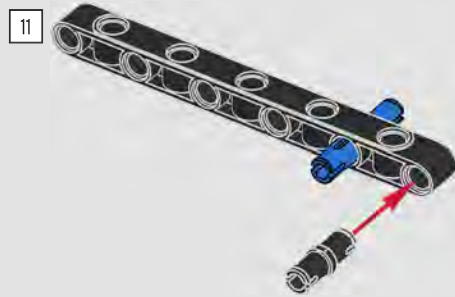


62

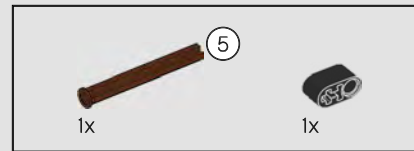
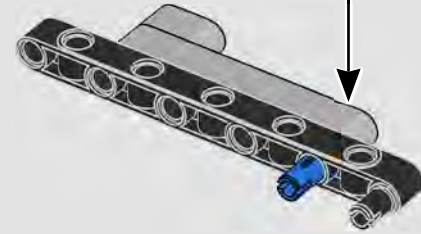
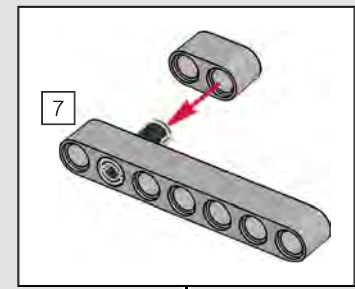




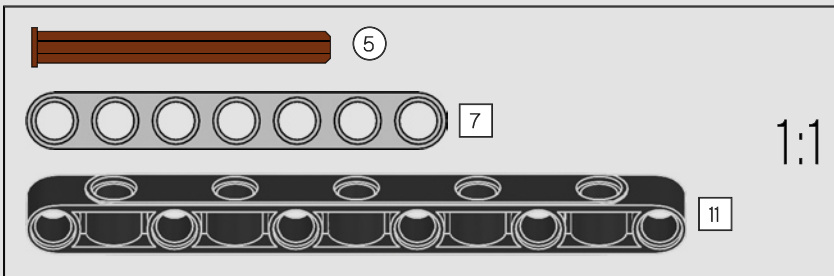
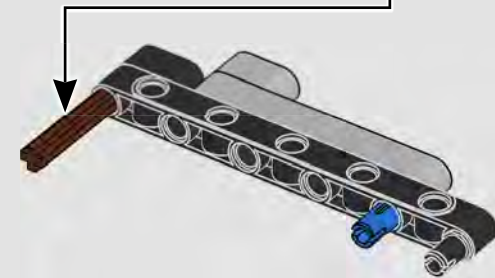
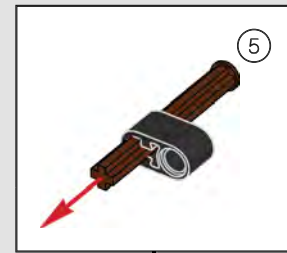
63



64

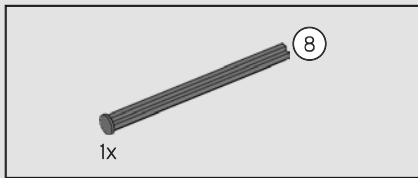
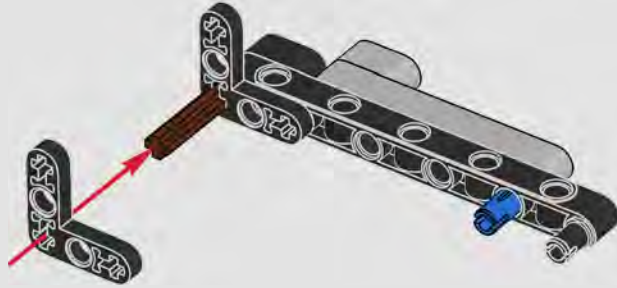


65

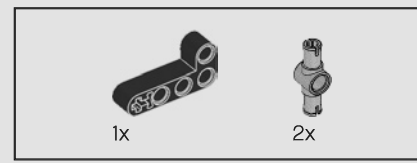
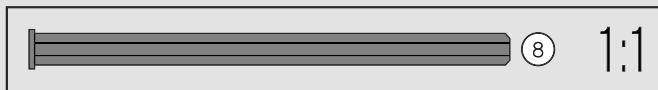
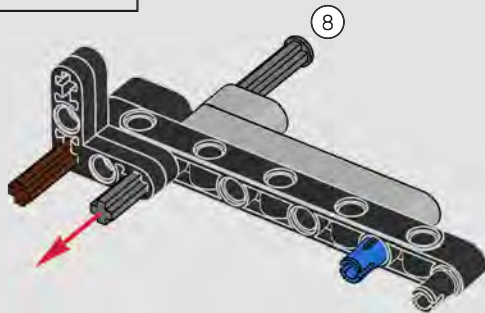




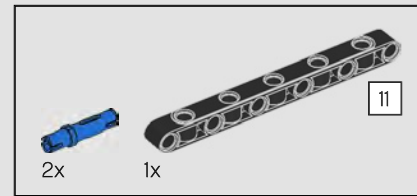
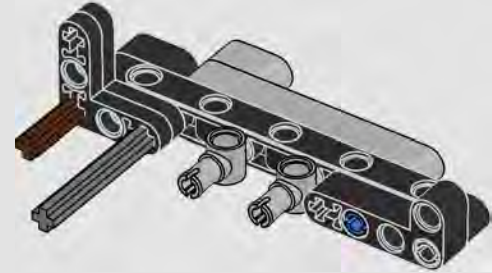
66



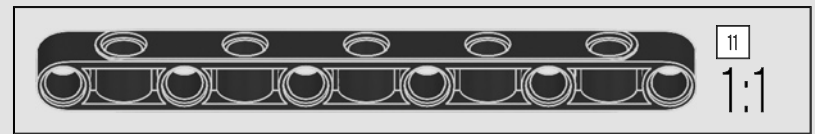
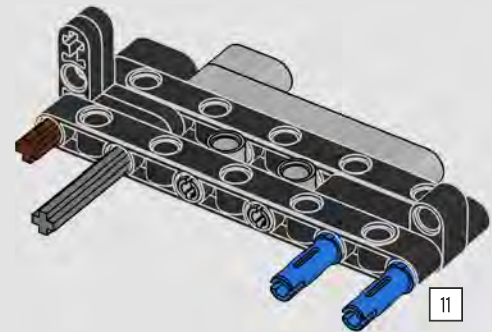
67

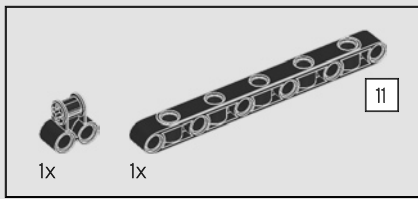


68

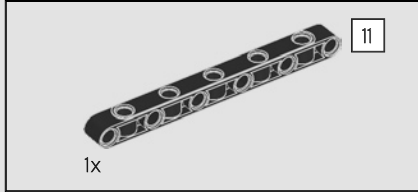
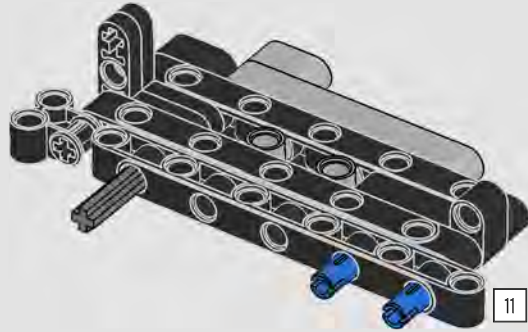


69

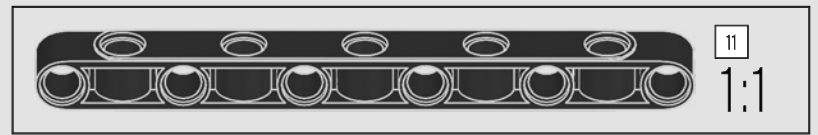
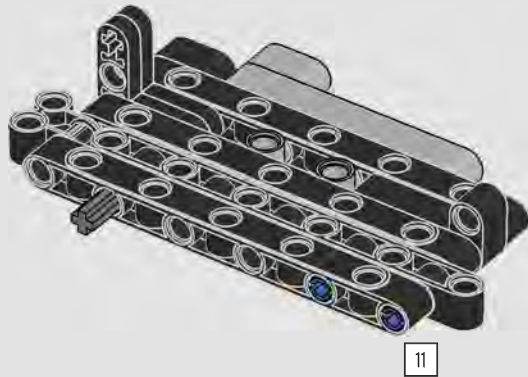




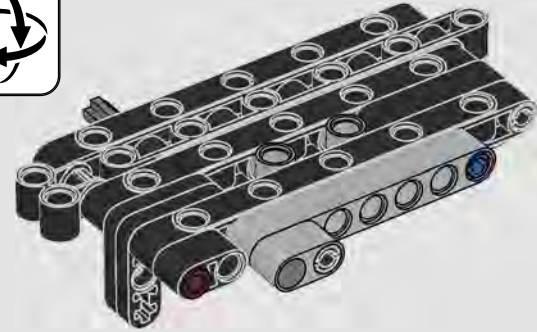
70



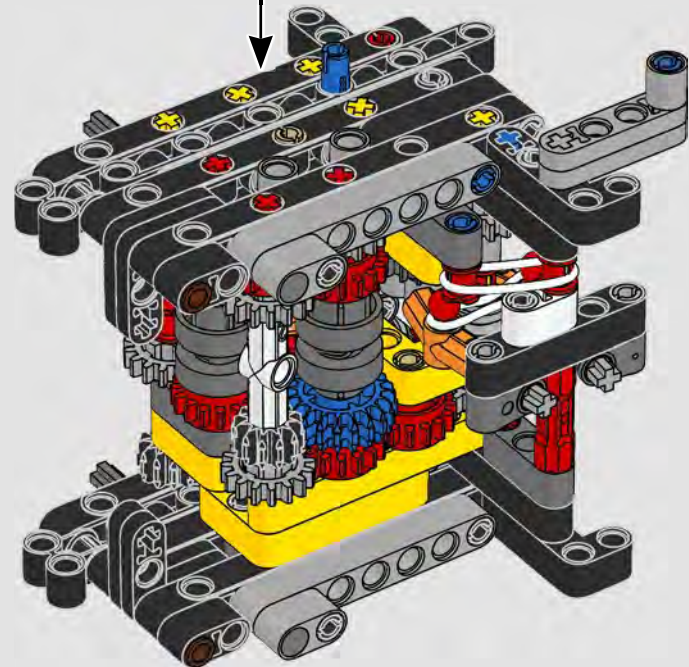
71

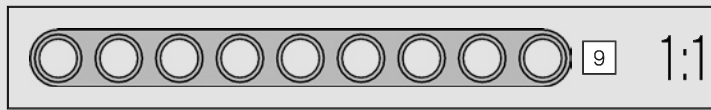
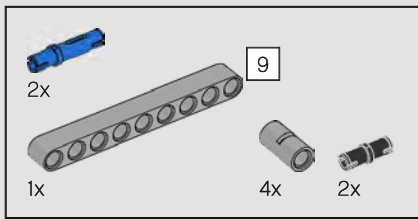


72

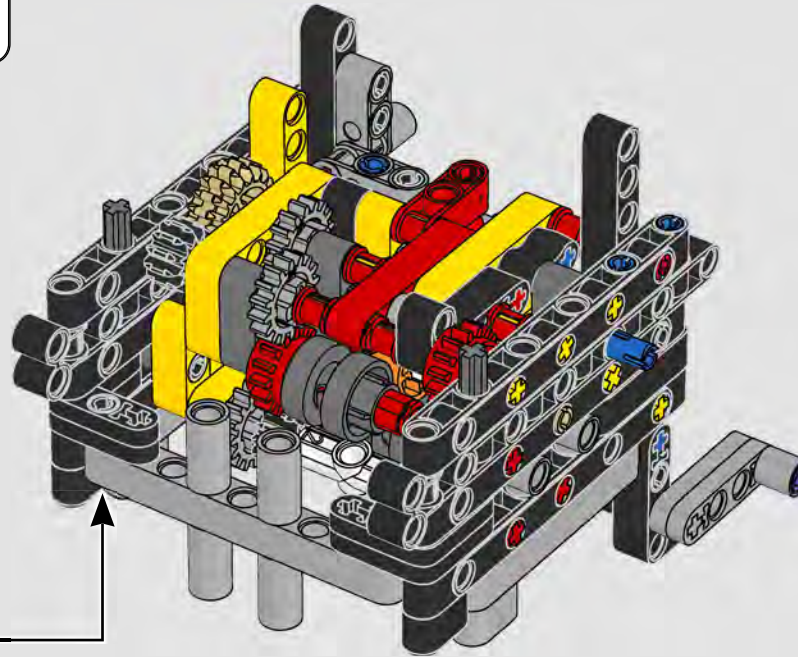
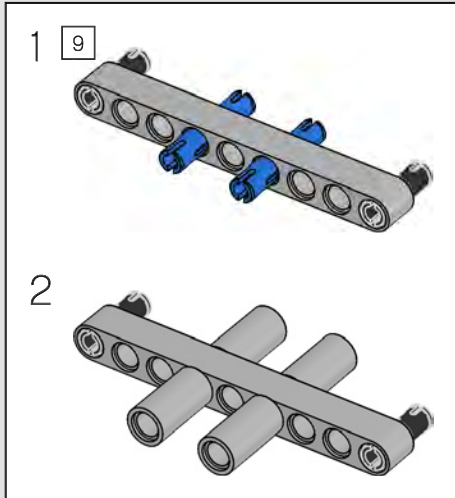
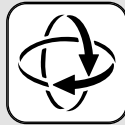


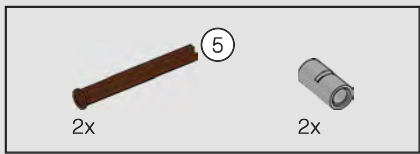
73



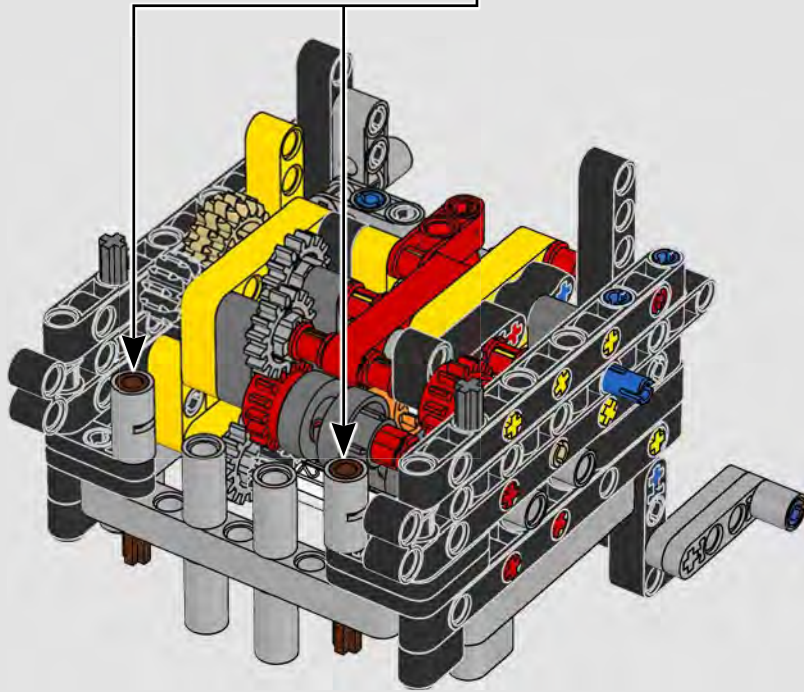
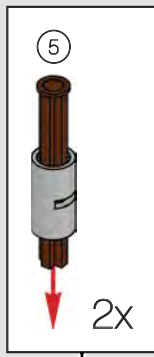


74

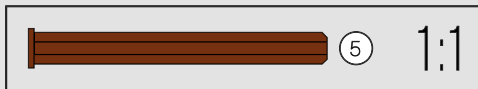
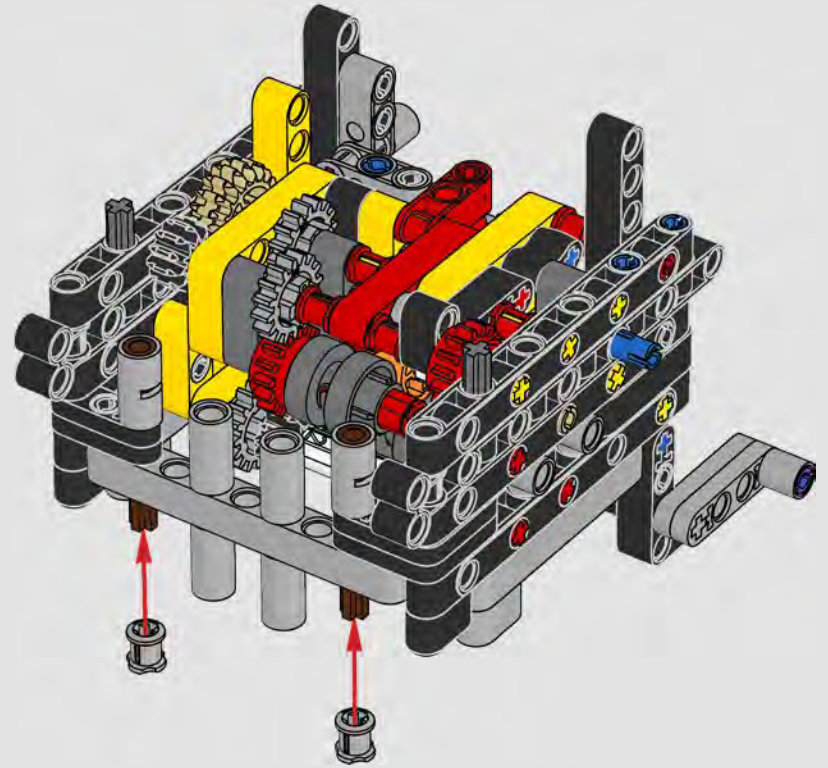




75

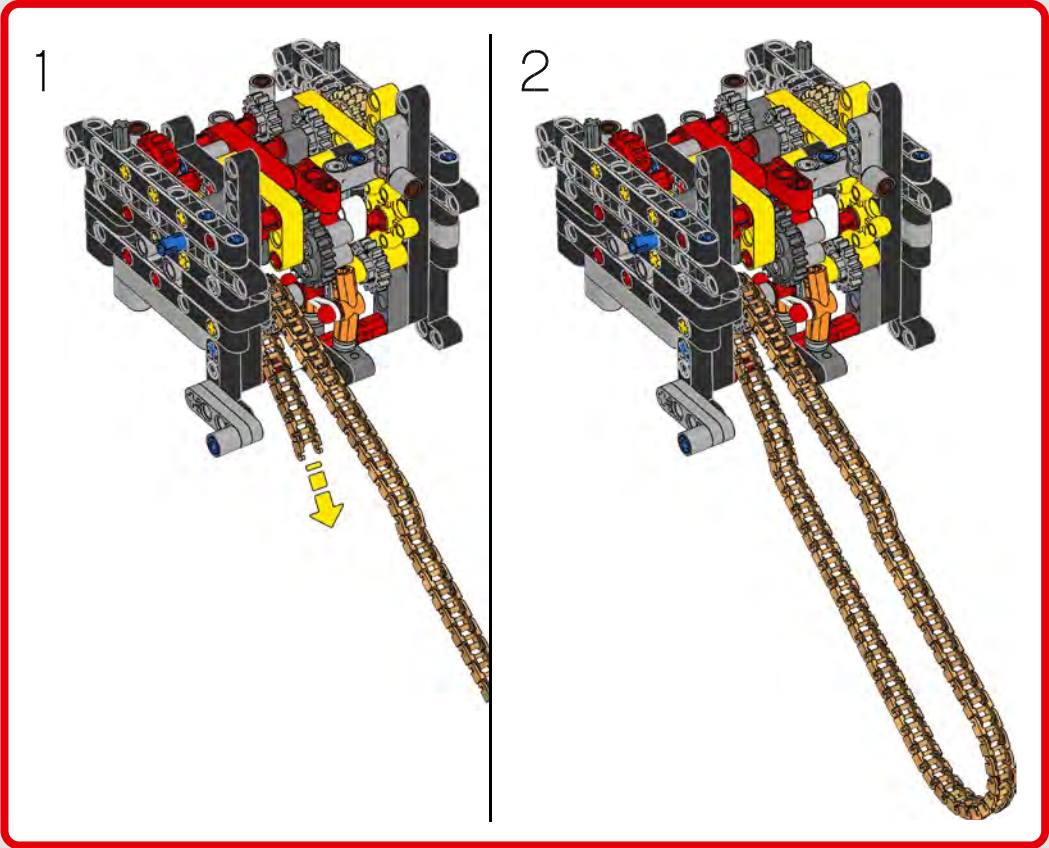
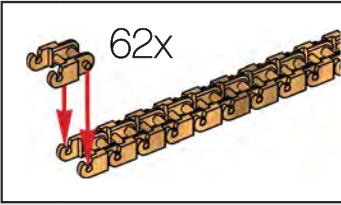
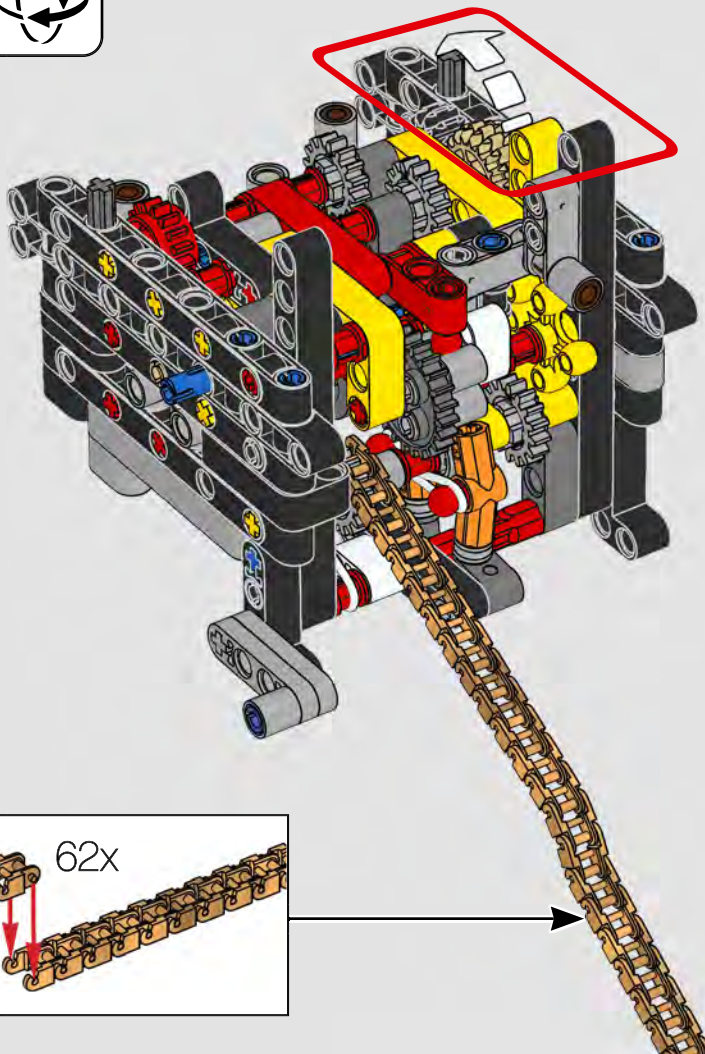


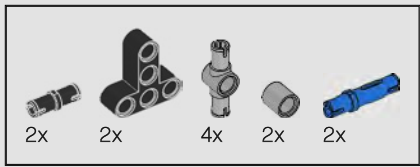
76



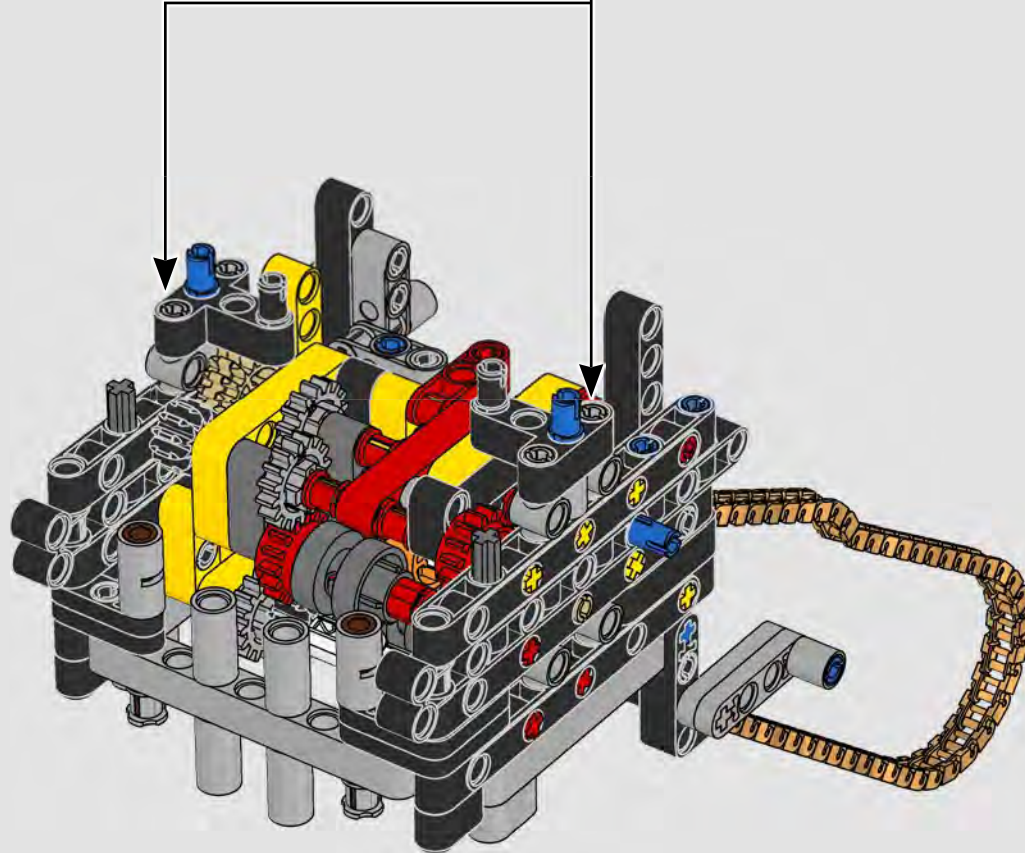
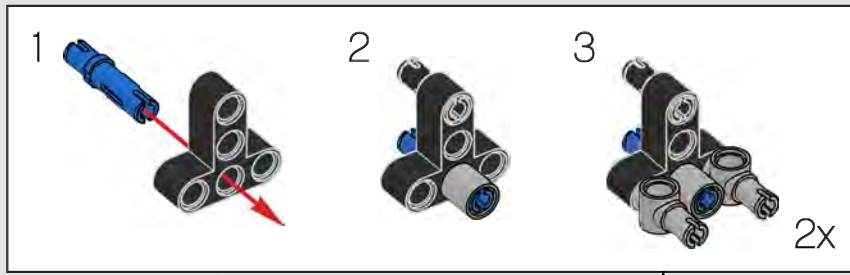
62x

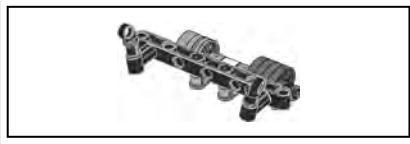
77





78

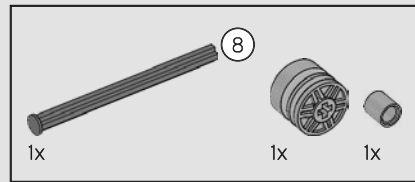
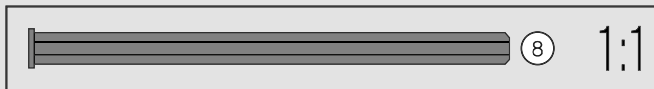
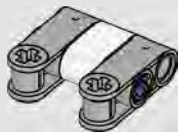




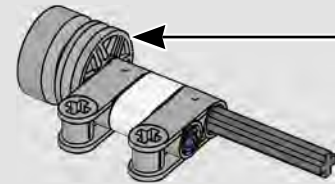
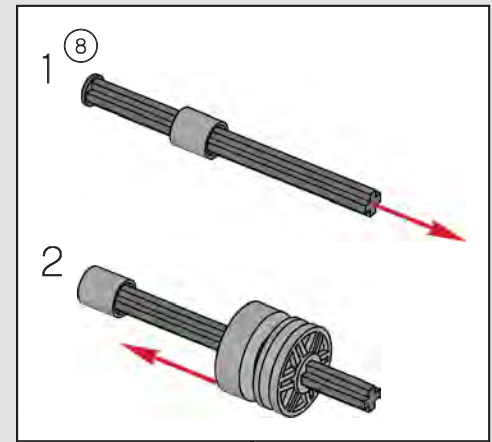
79



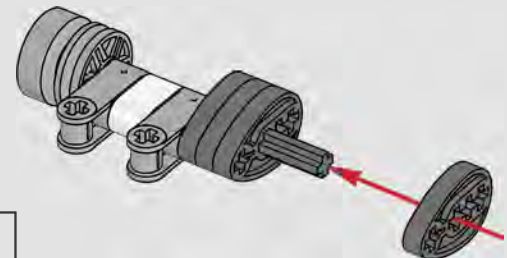
80

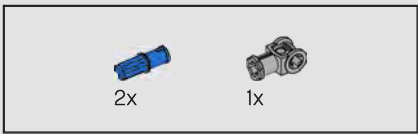


81

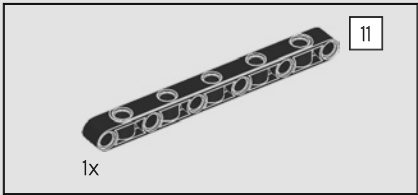
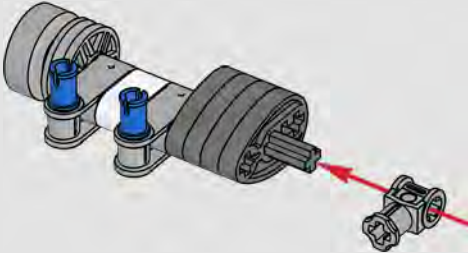


82

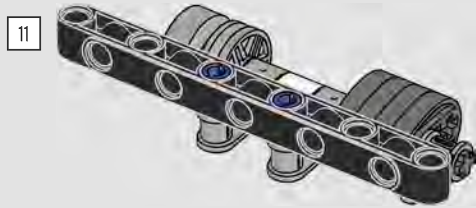




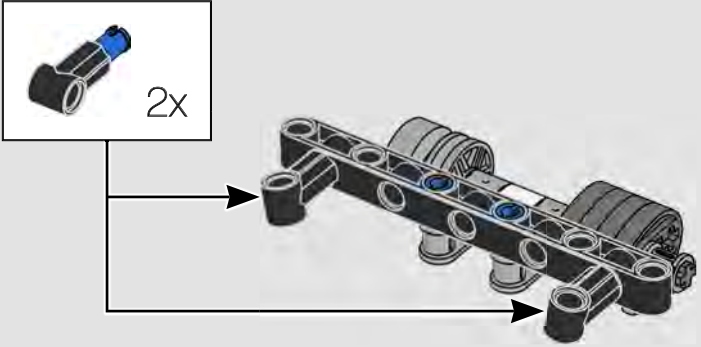
83



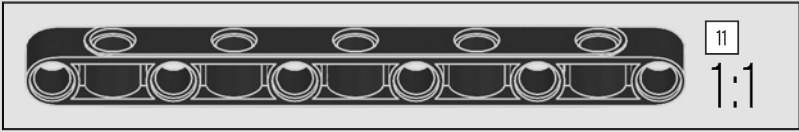
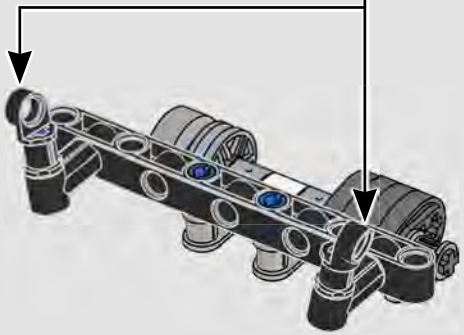
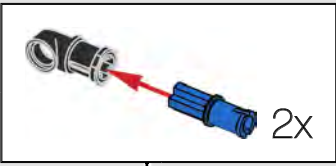
84



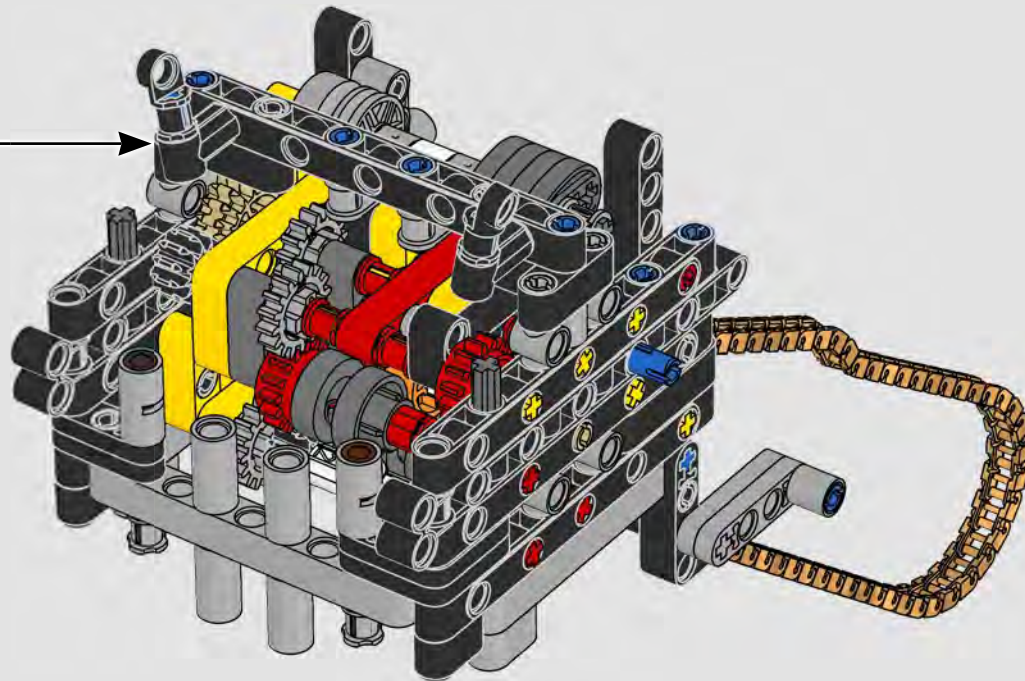
85

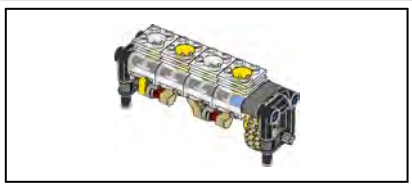


86

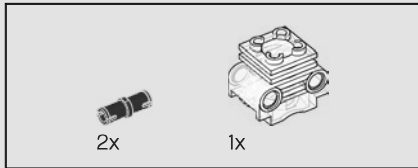
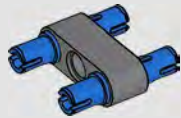


87

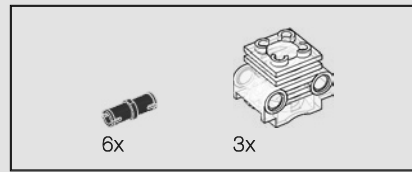
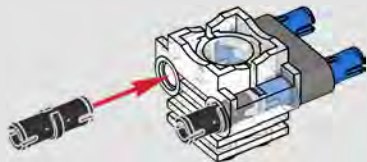




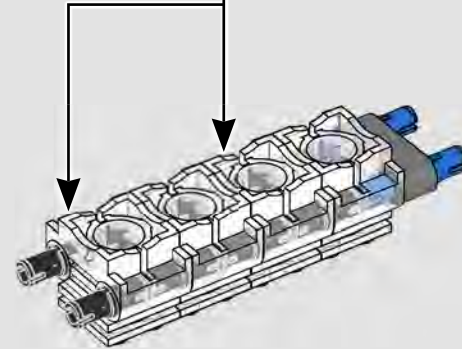
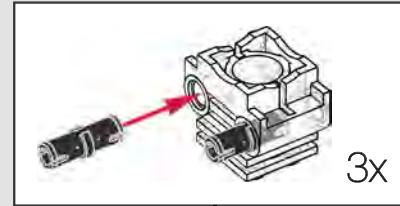
88

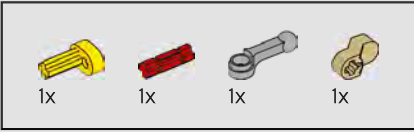
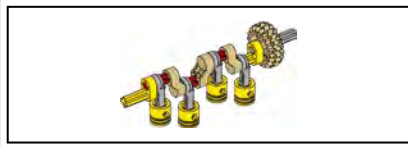


89

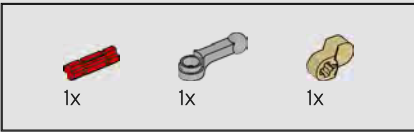
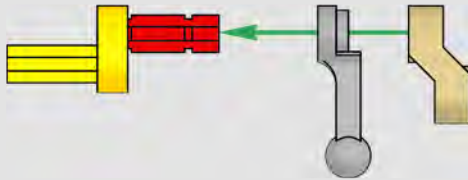


90

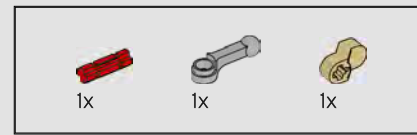
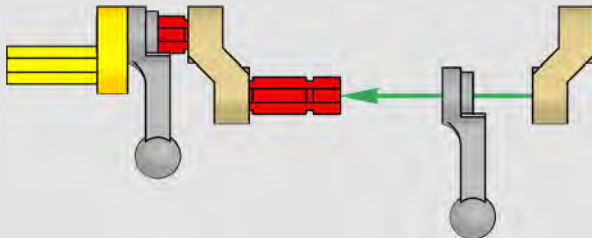




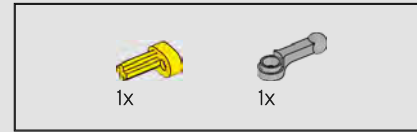
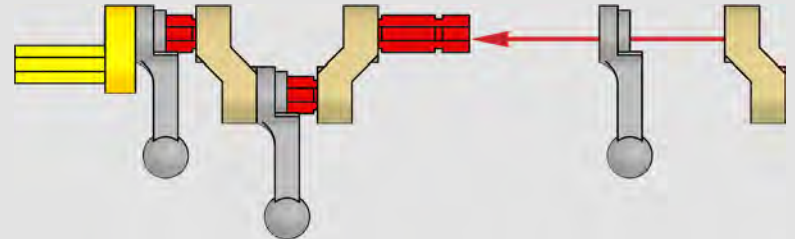
91



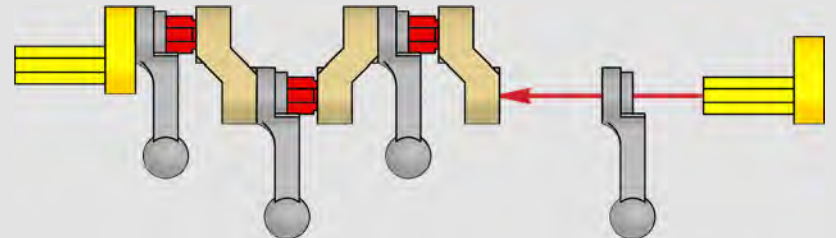
92



93



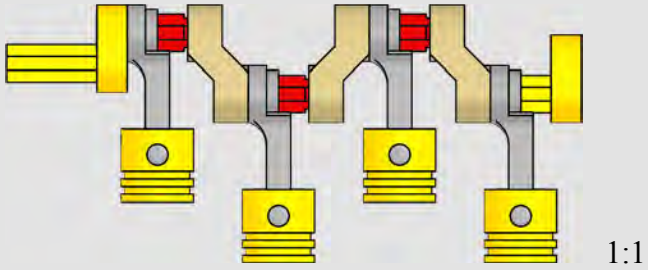
94





4x

95

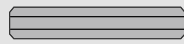


1x

3



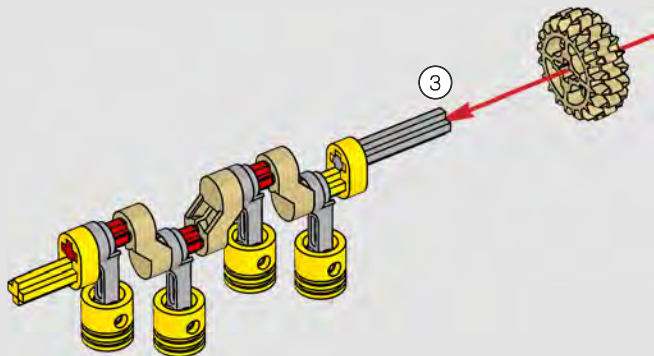
1x



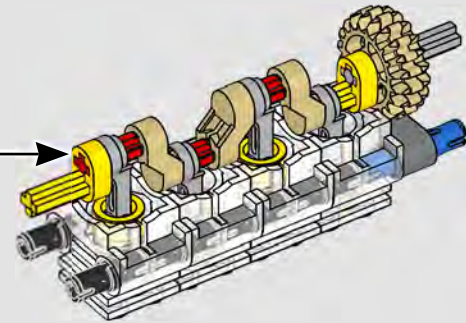
3

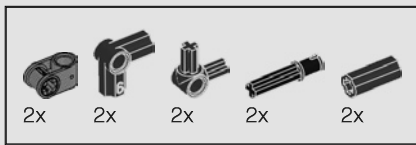
1:1

96

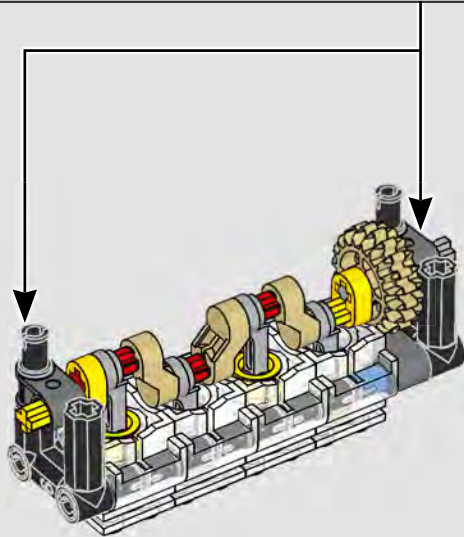
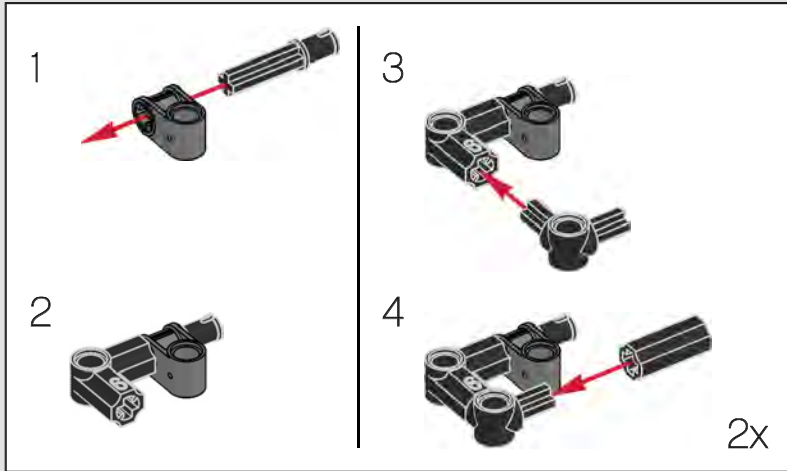


97

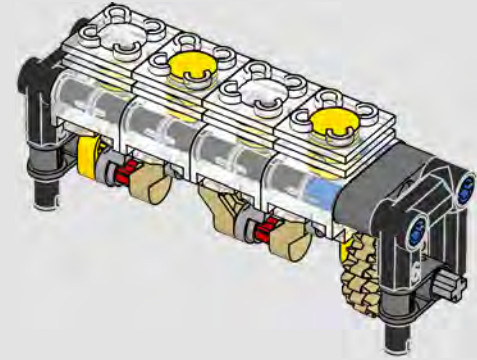
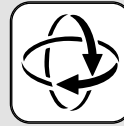




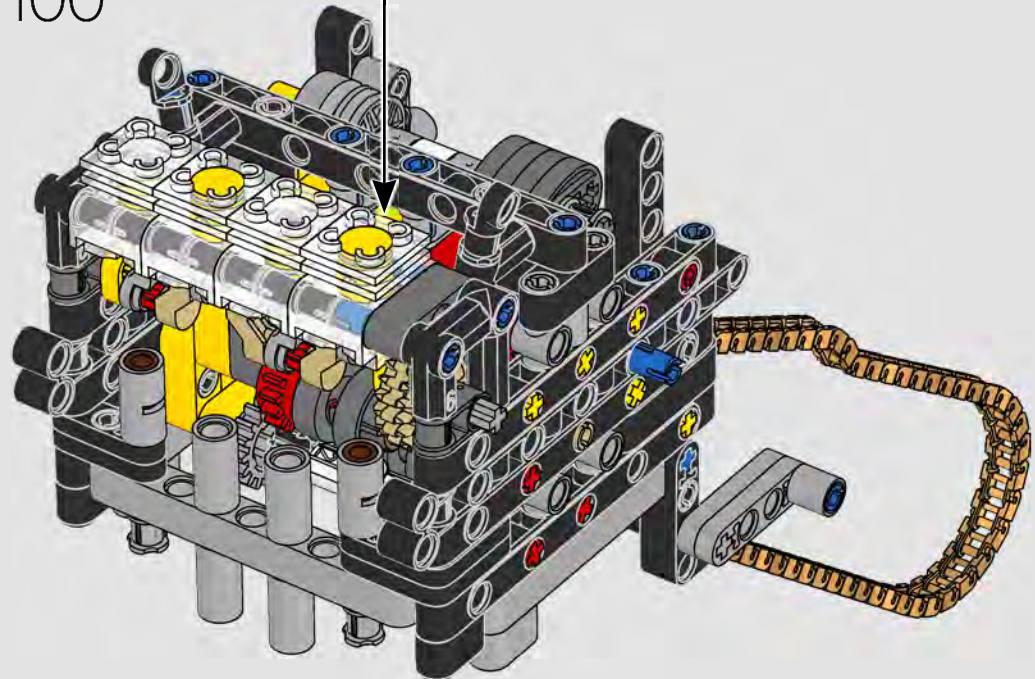
98

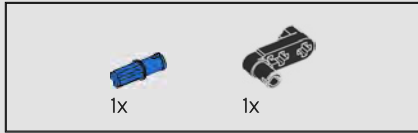
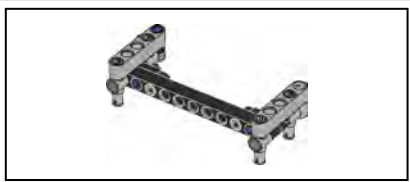


99

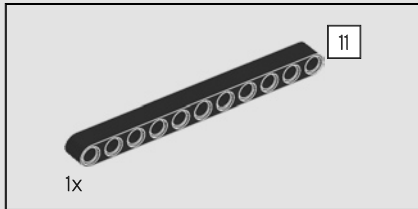


100





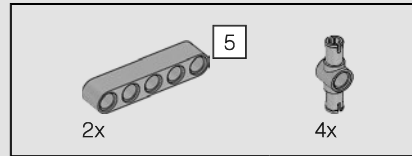
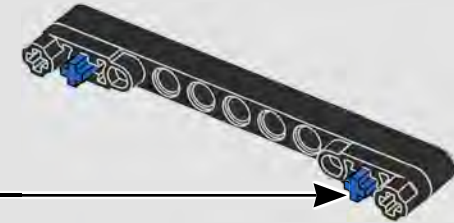
101



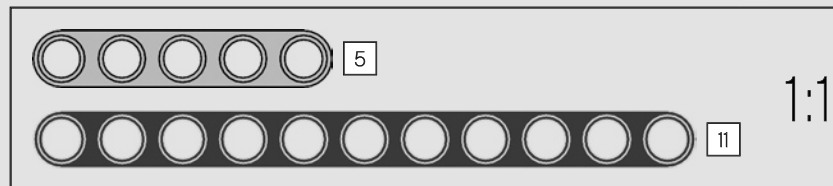
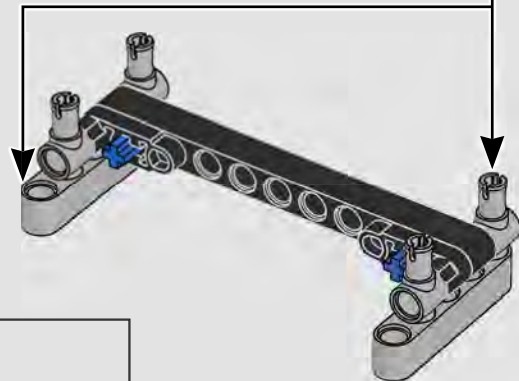
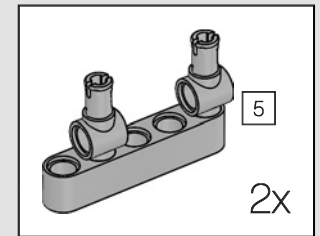
102

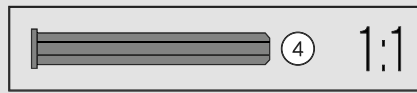
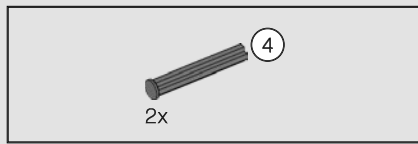


103

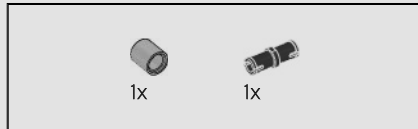
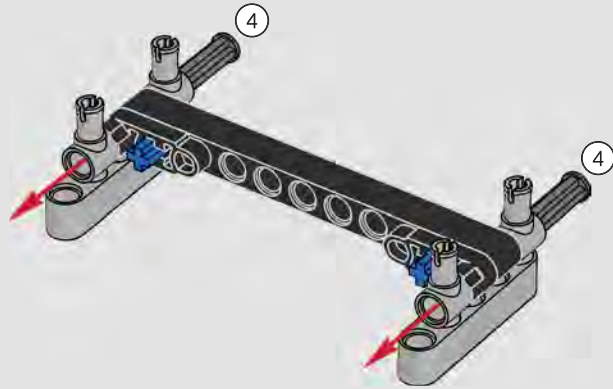


104

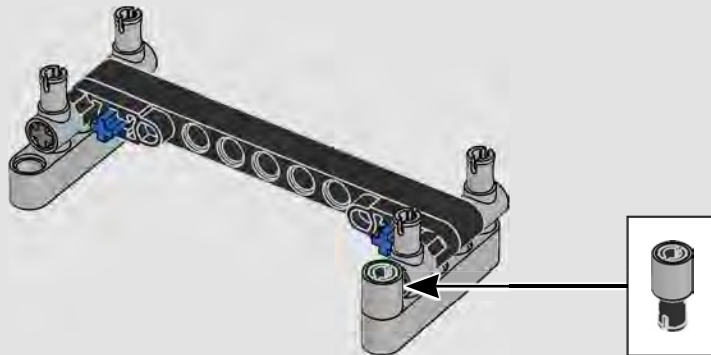




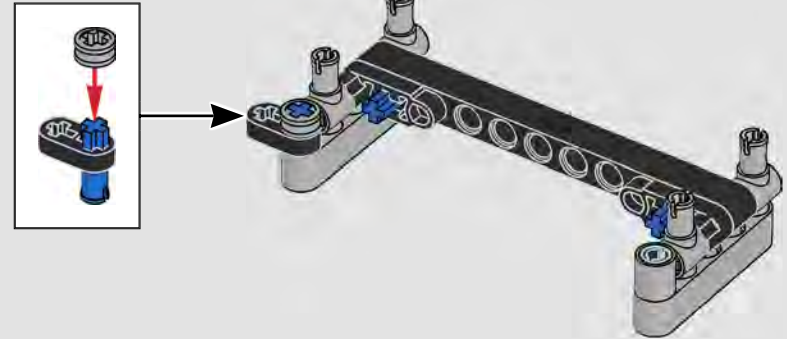
105



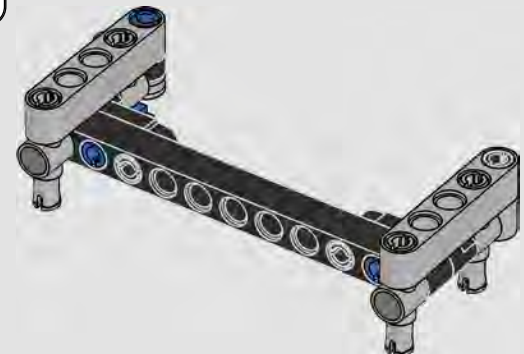
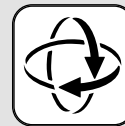
106



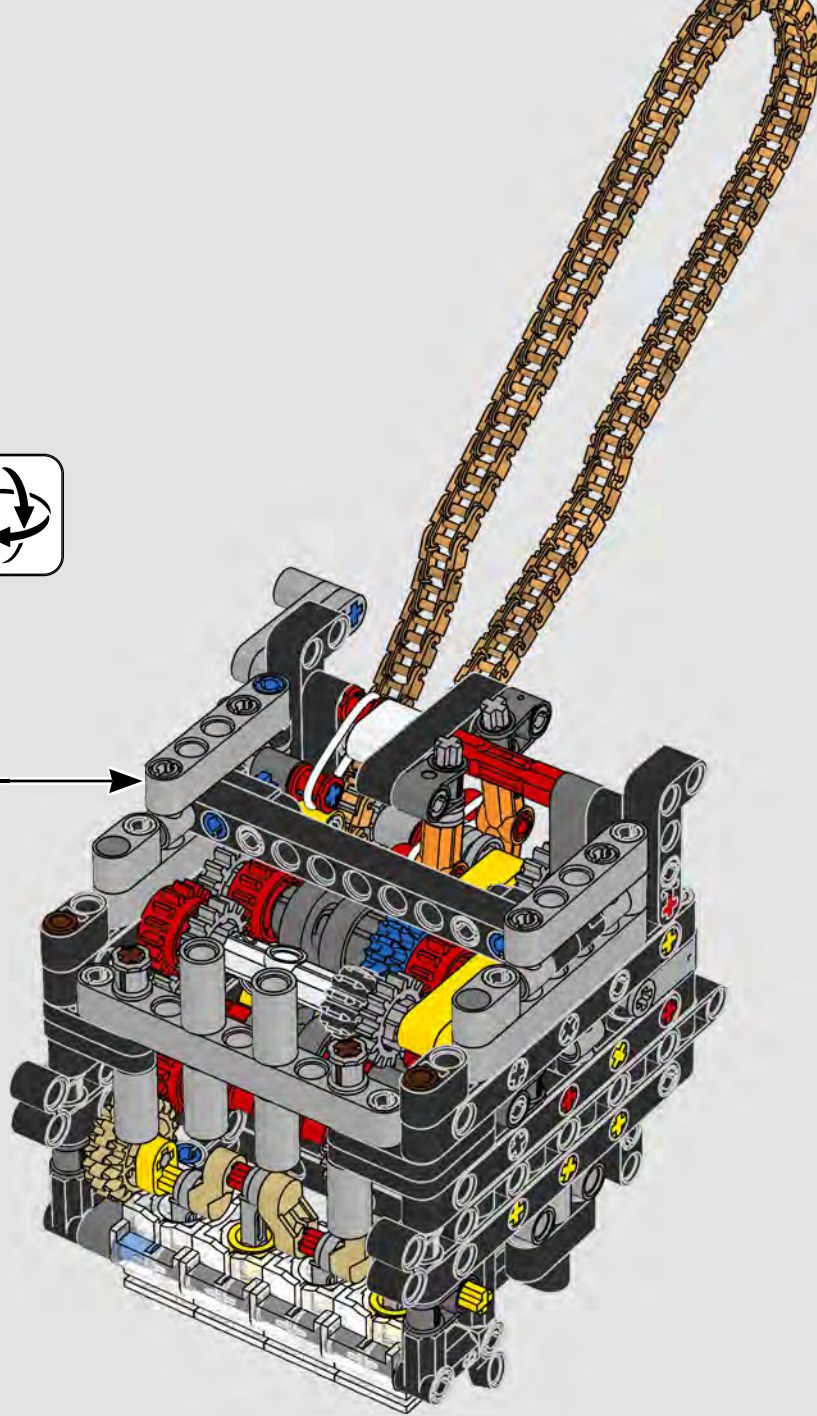
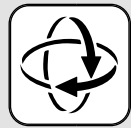
107

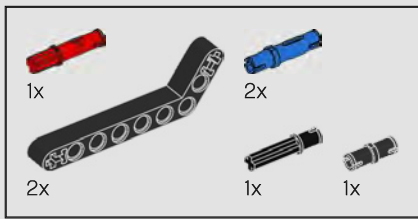


108

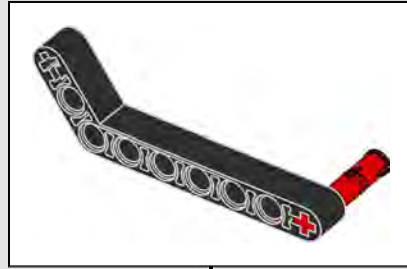


109





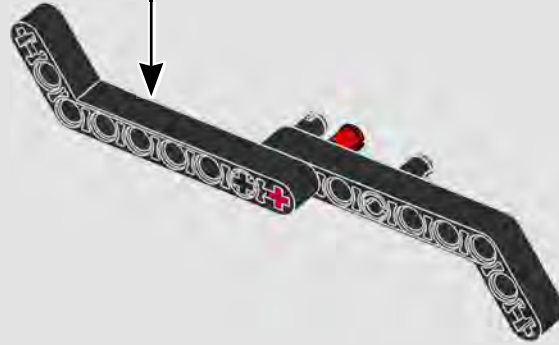
110



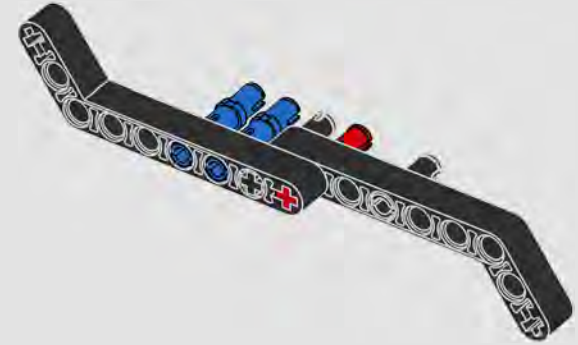
1

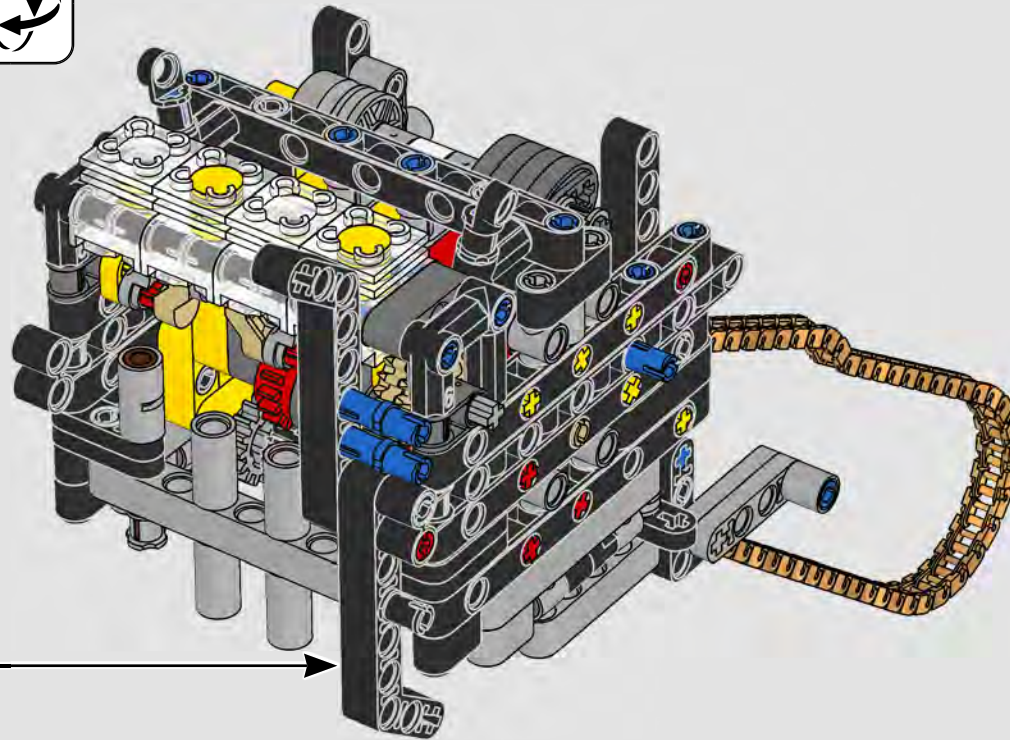


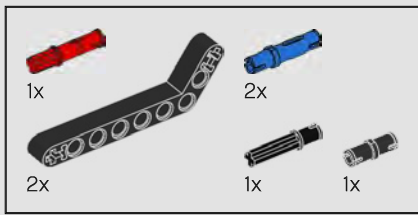
2



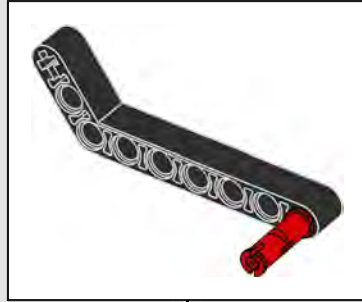
3







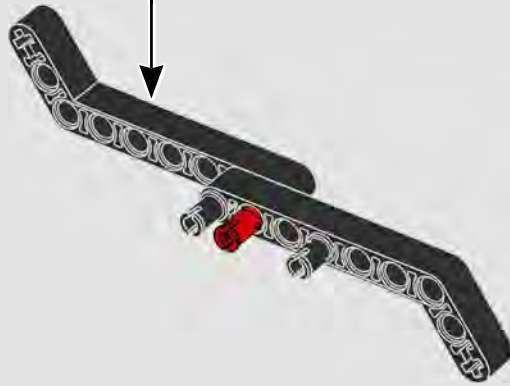
111



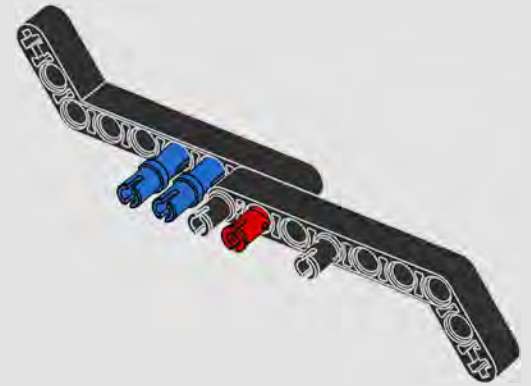
1

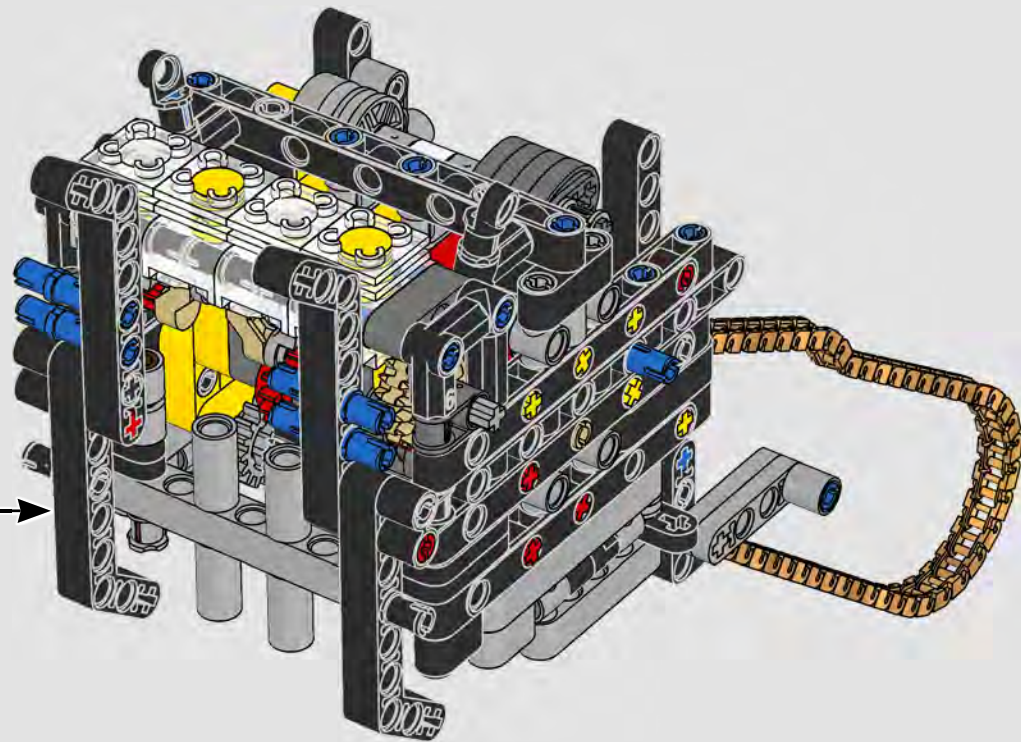


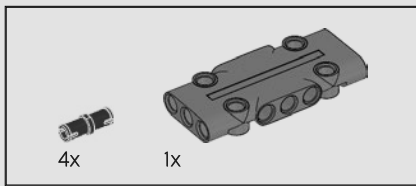
2



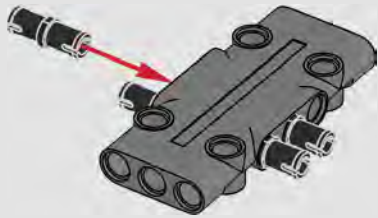
3



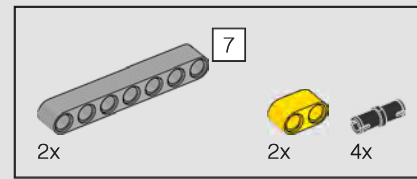
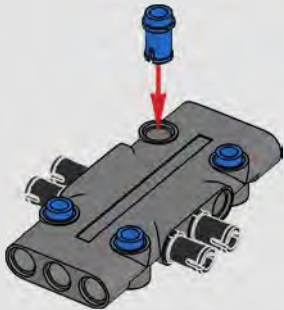




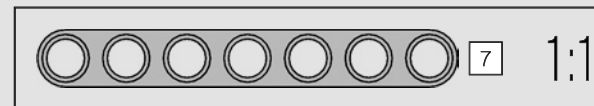
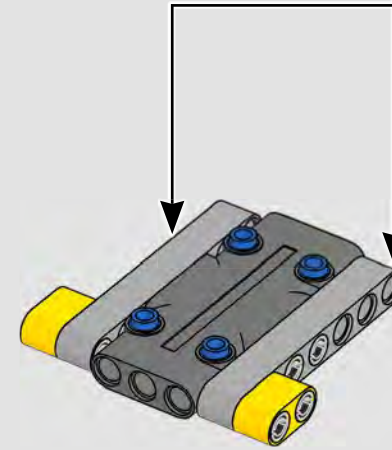
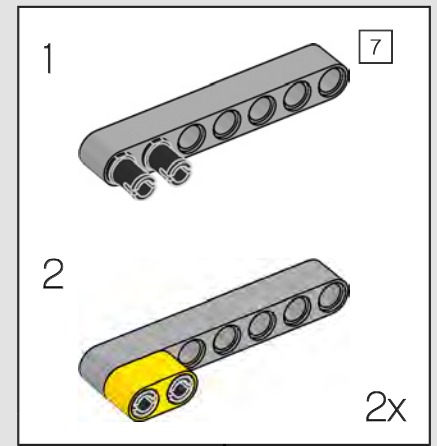
112

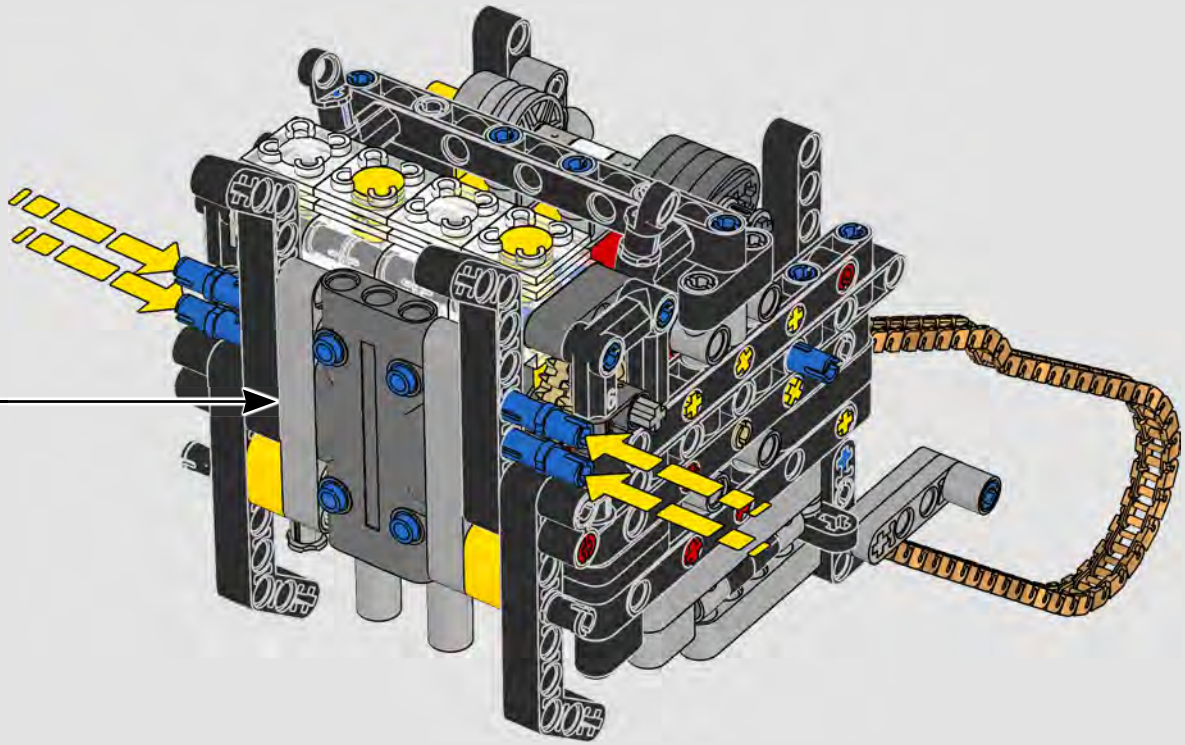


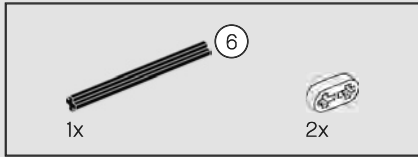
113



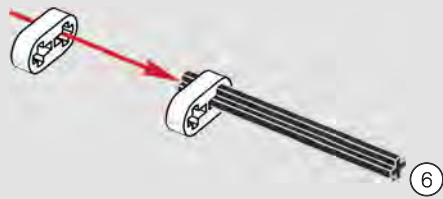
114



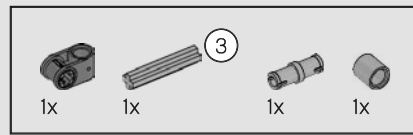




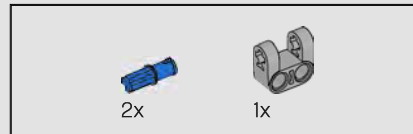
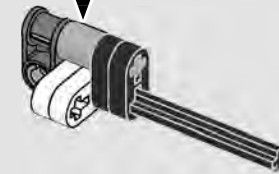
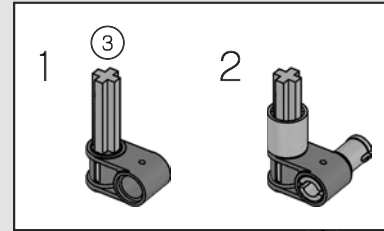
116



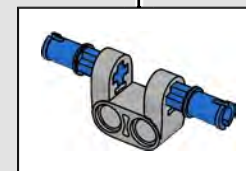
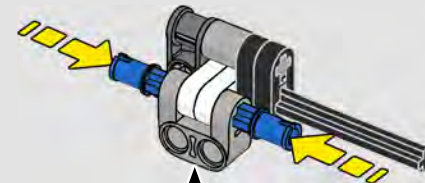
117



118



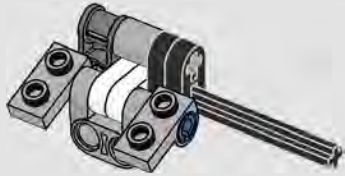
119





2x

120

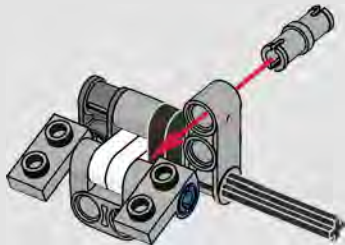


1x



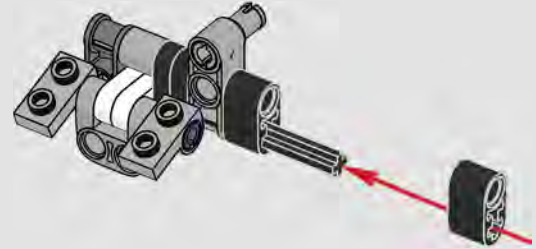
1x

121



2x

122

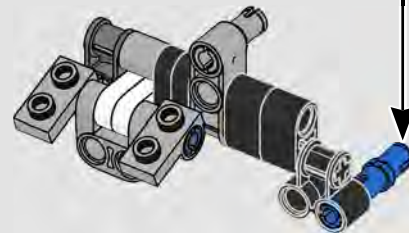


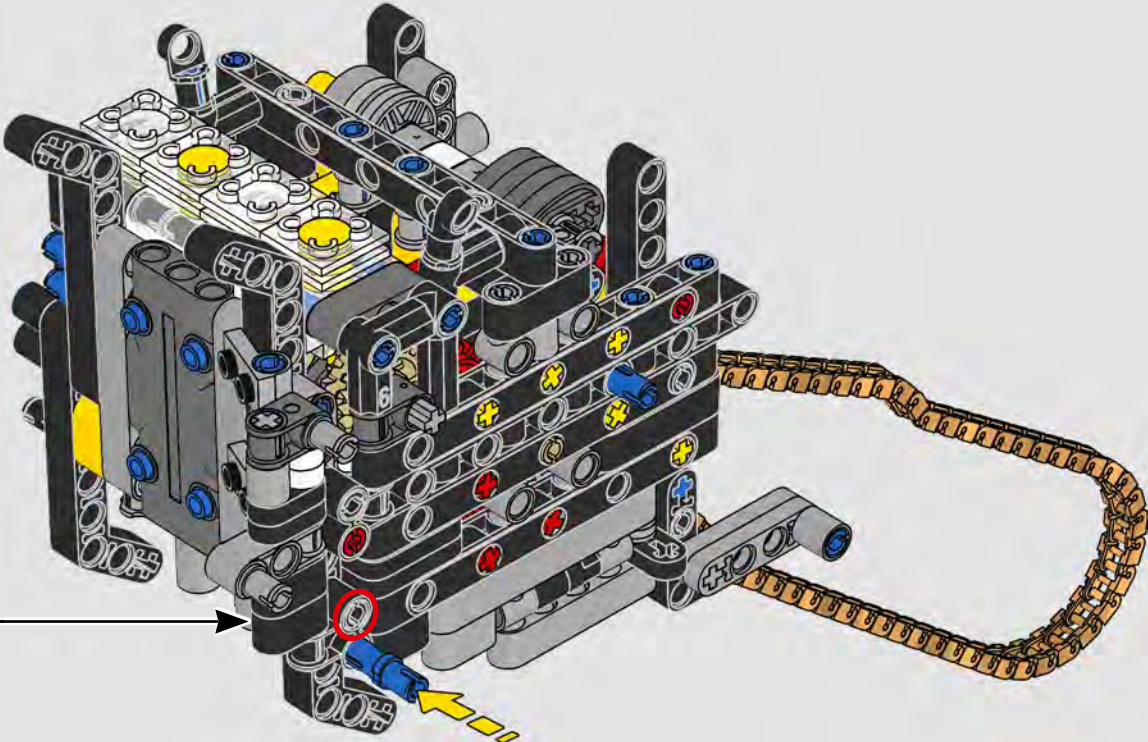
1x

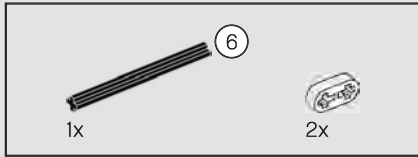


1x

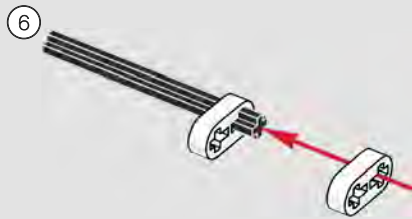
123



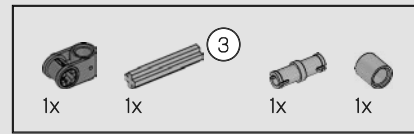




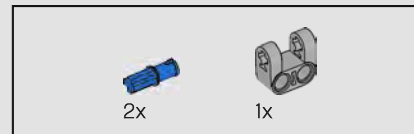
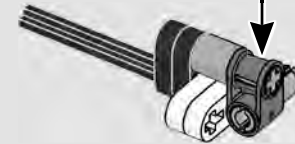
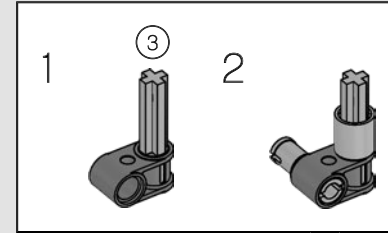
125



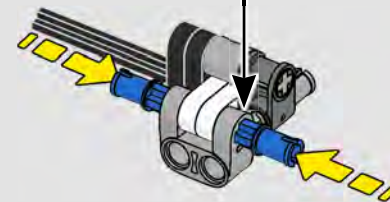
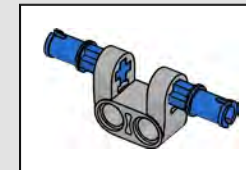
126

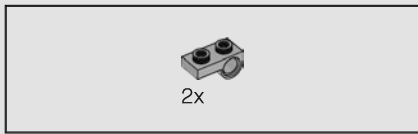


127

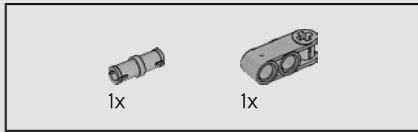
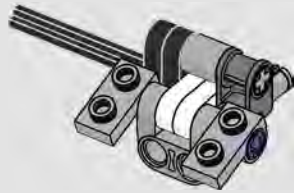


128

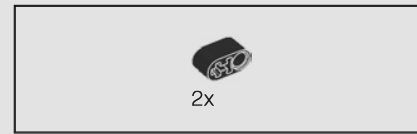
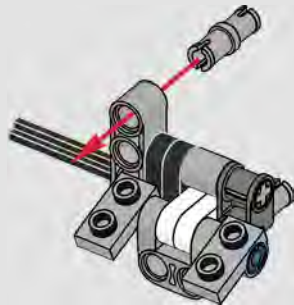




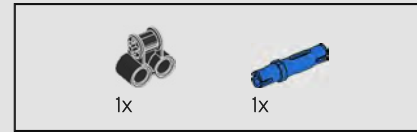
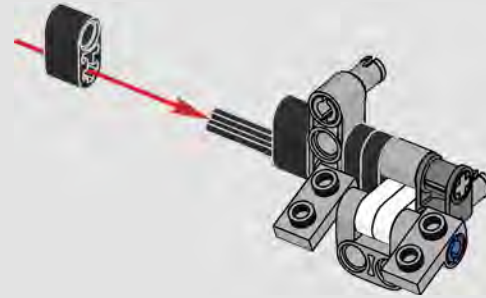
129



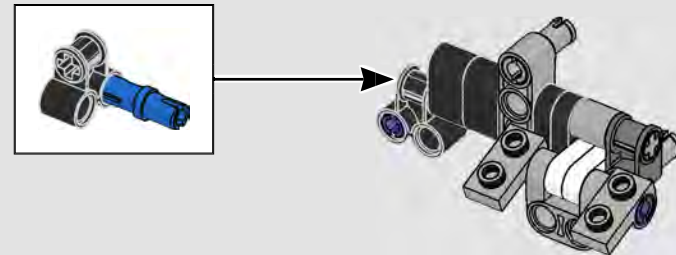
130

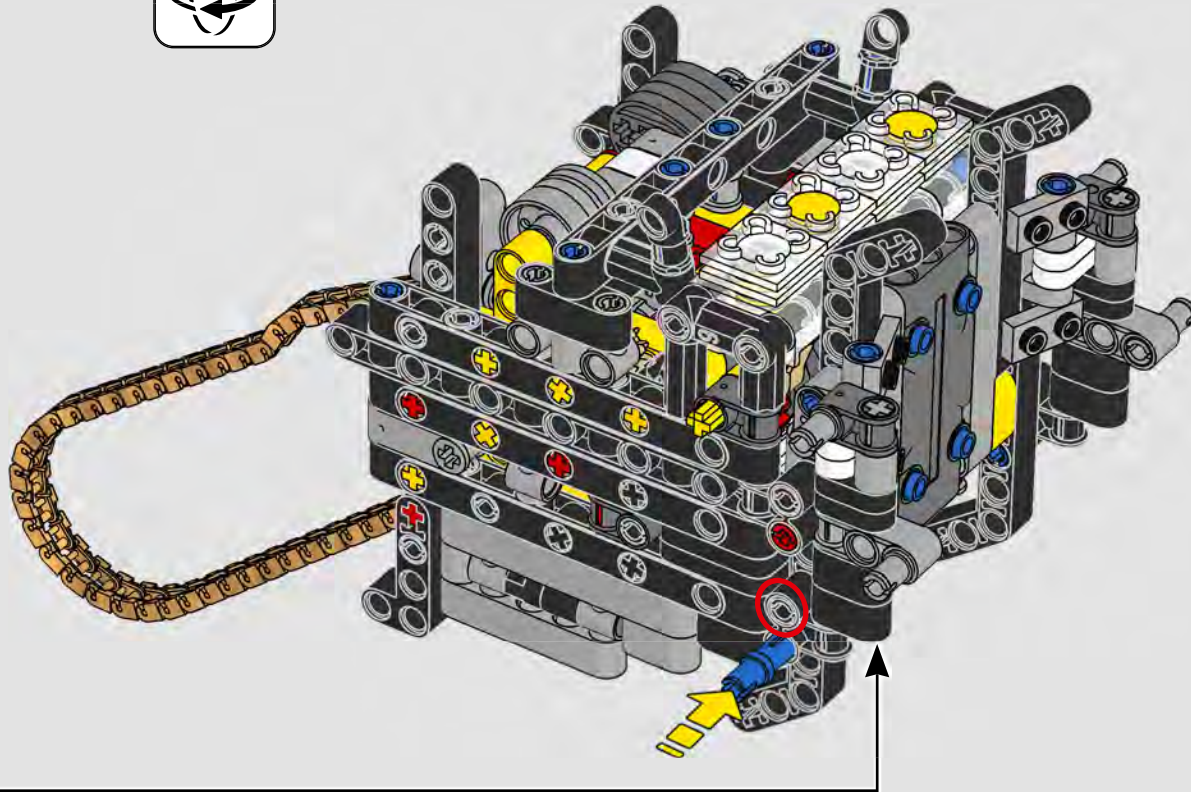


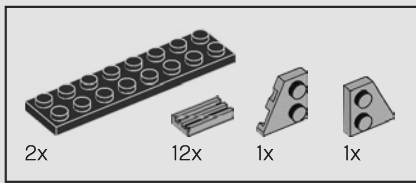
131



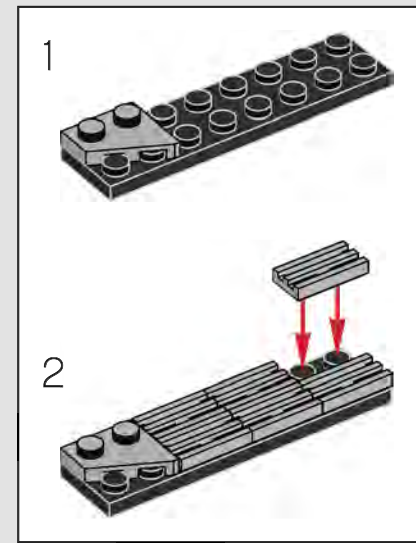
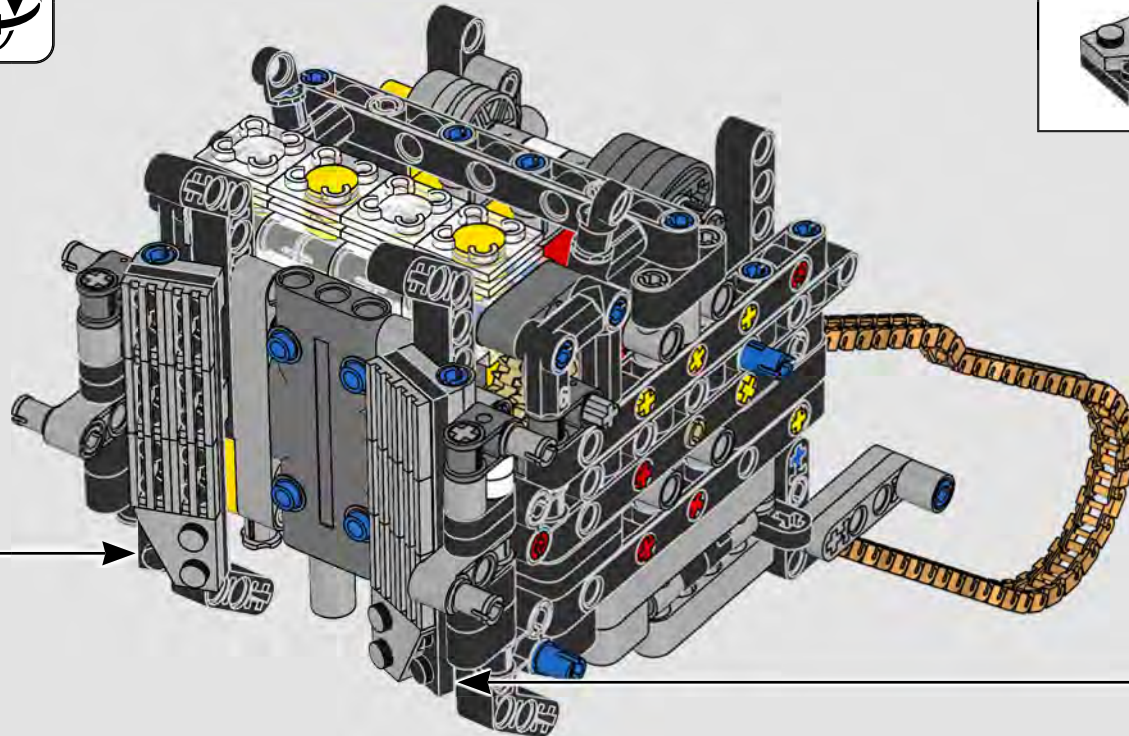
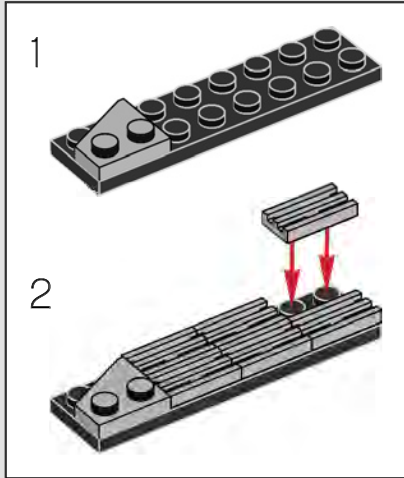
132

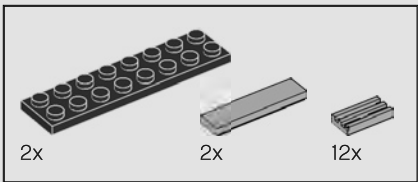




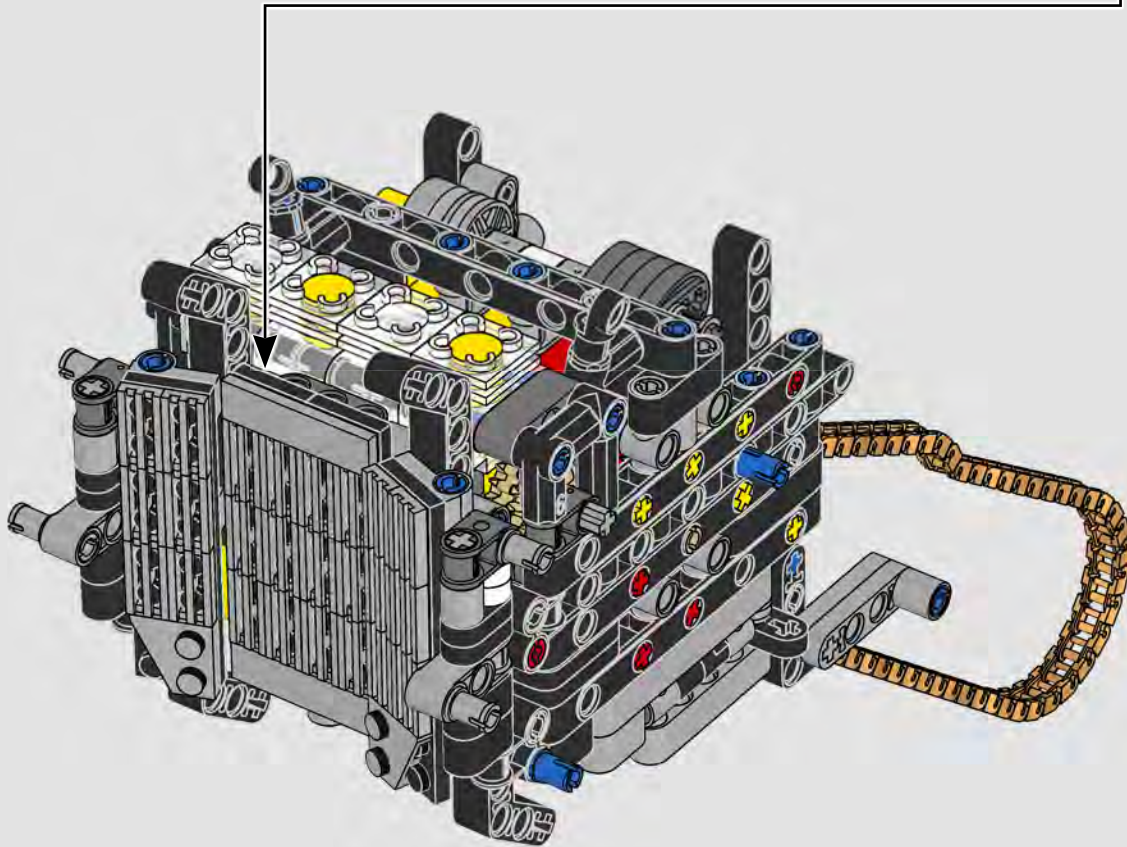
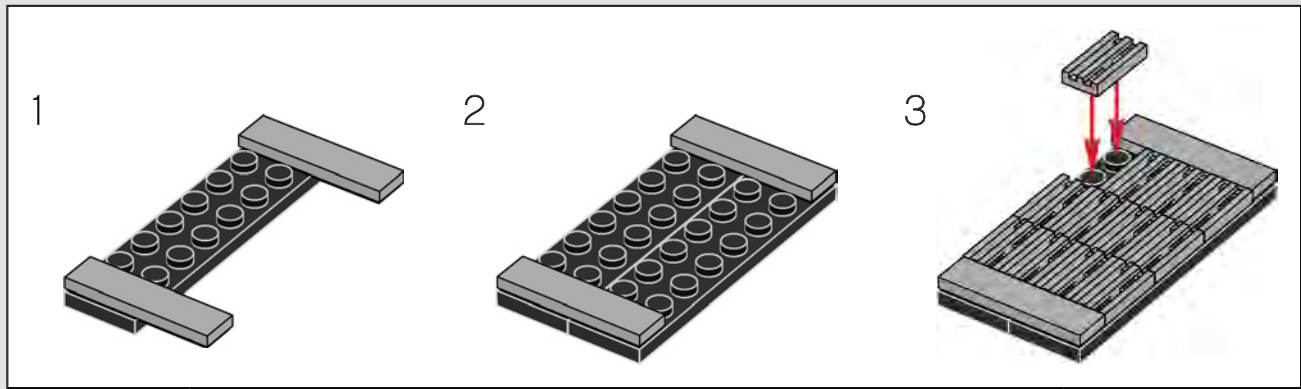


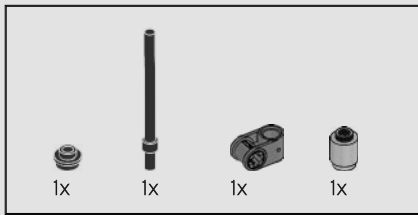
134



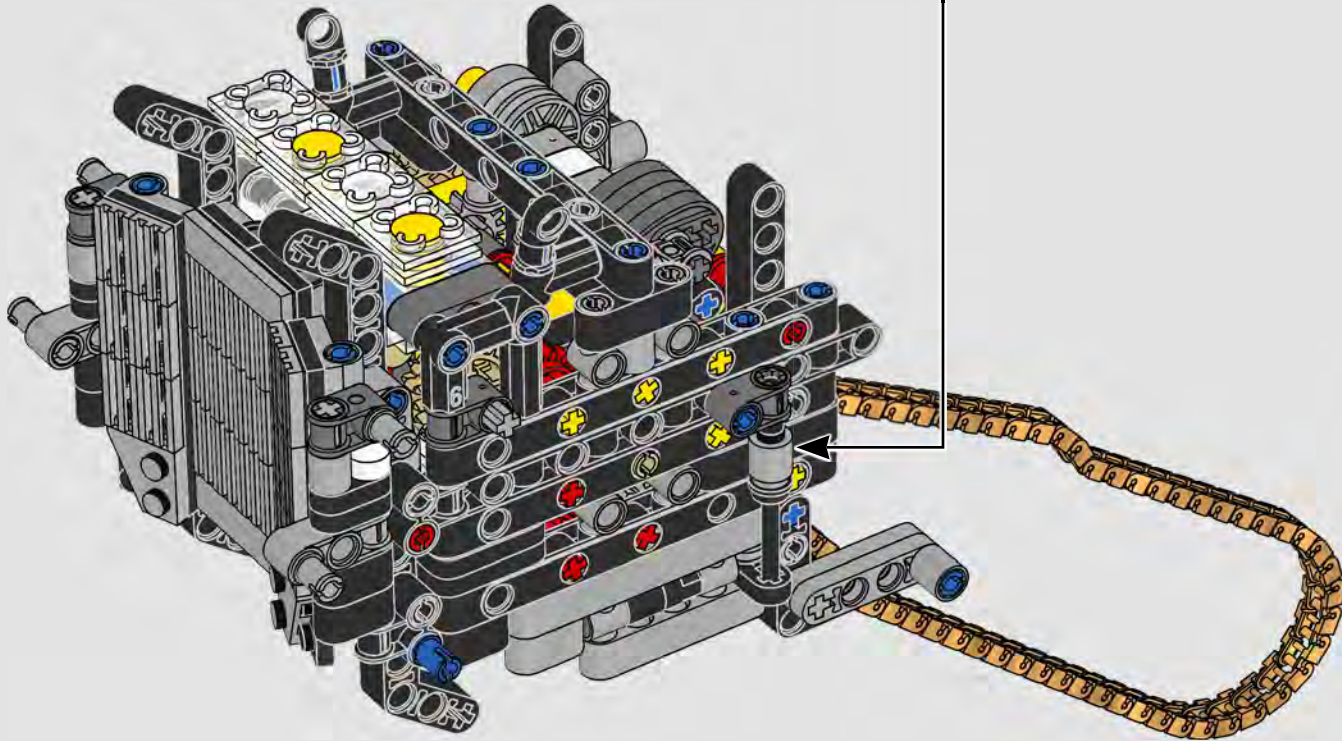
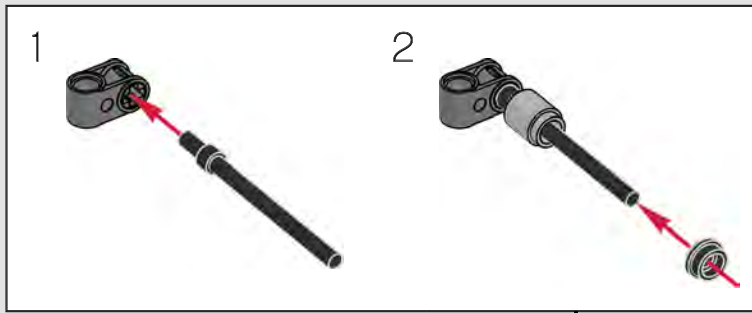


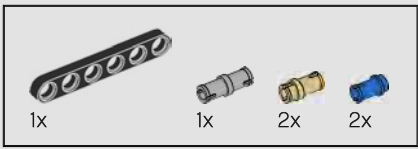
135



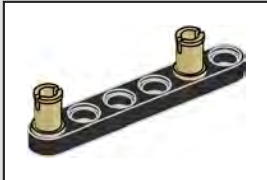
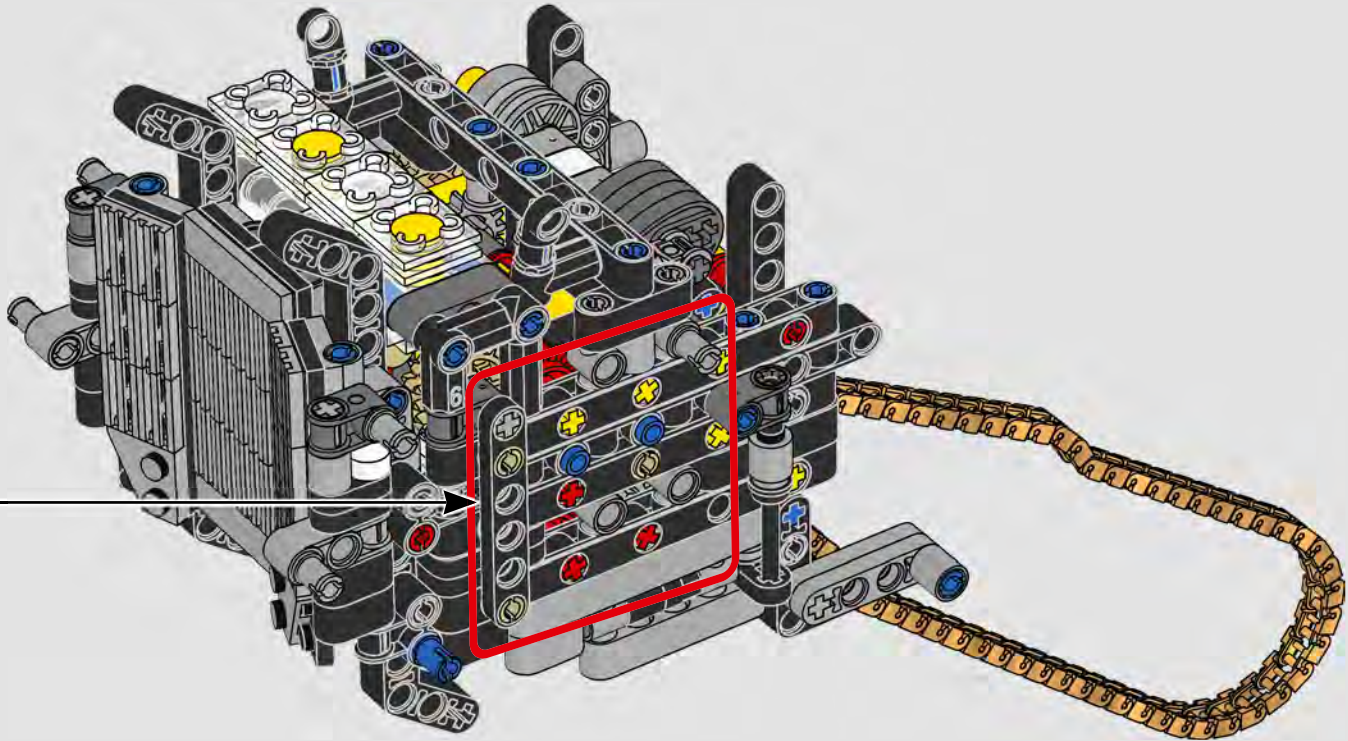


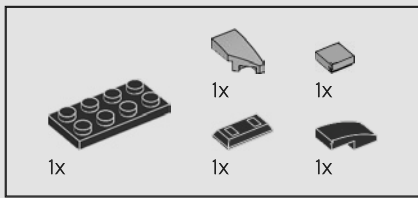
136



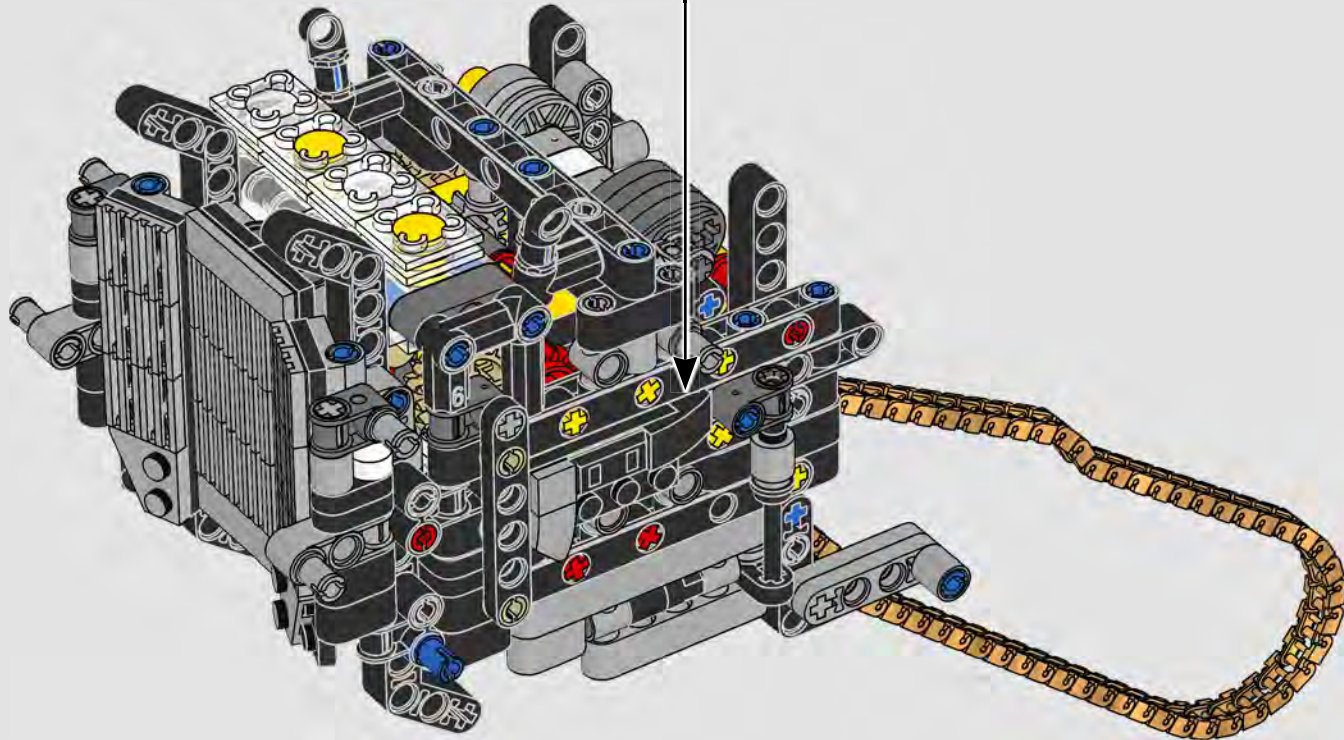
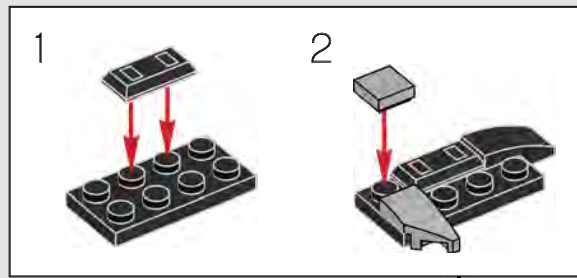


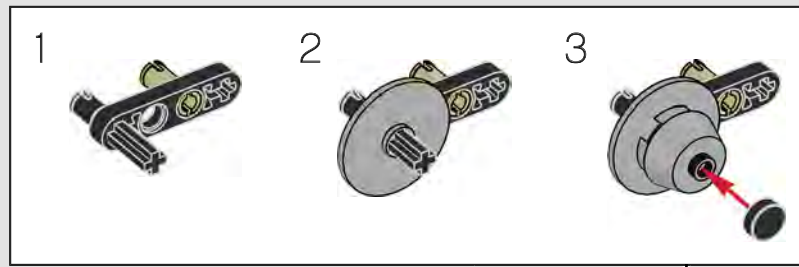
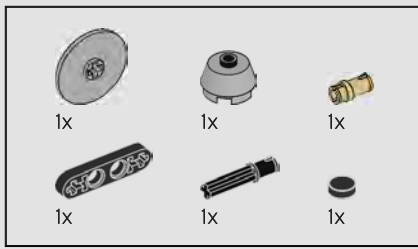
137



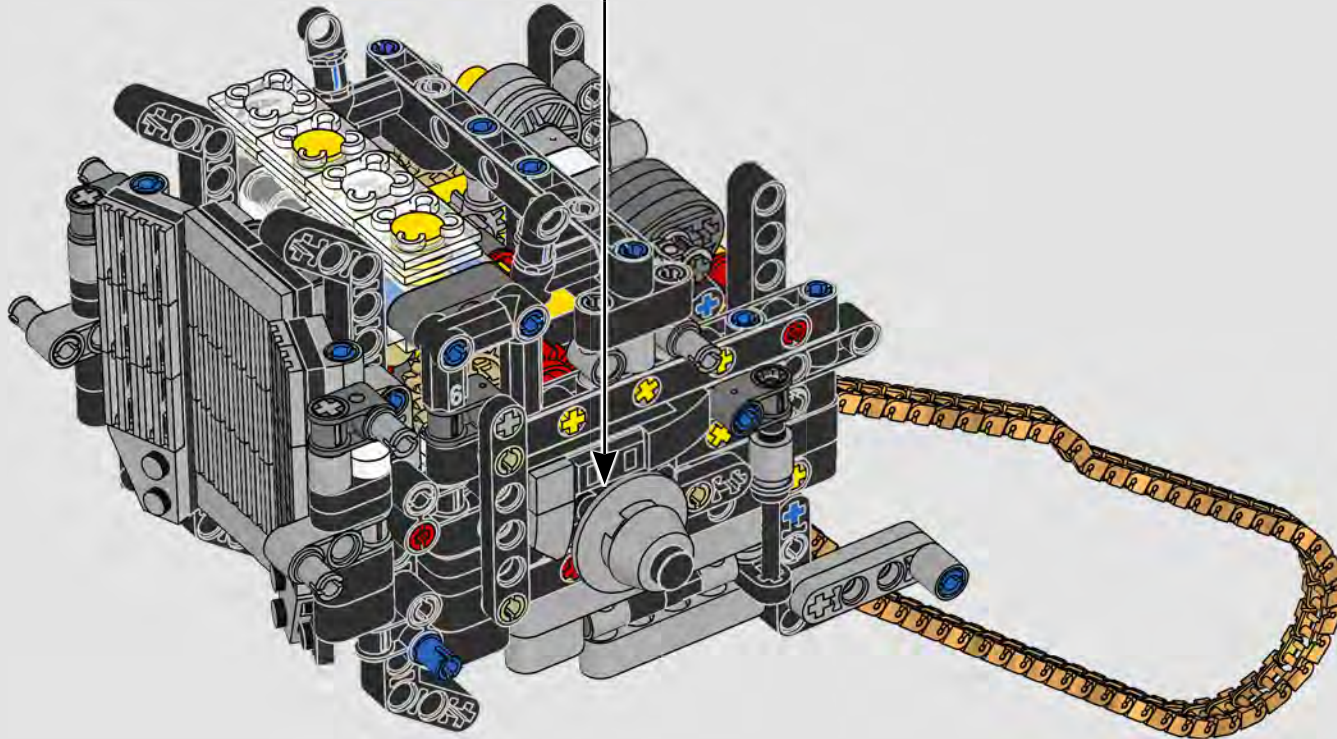


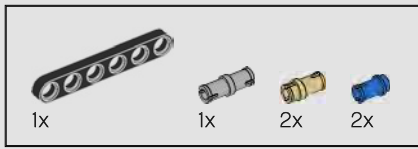
138



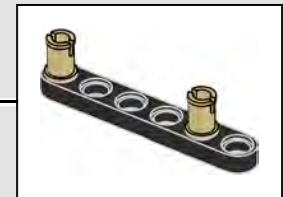
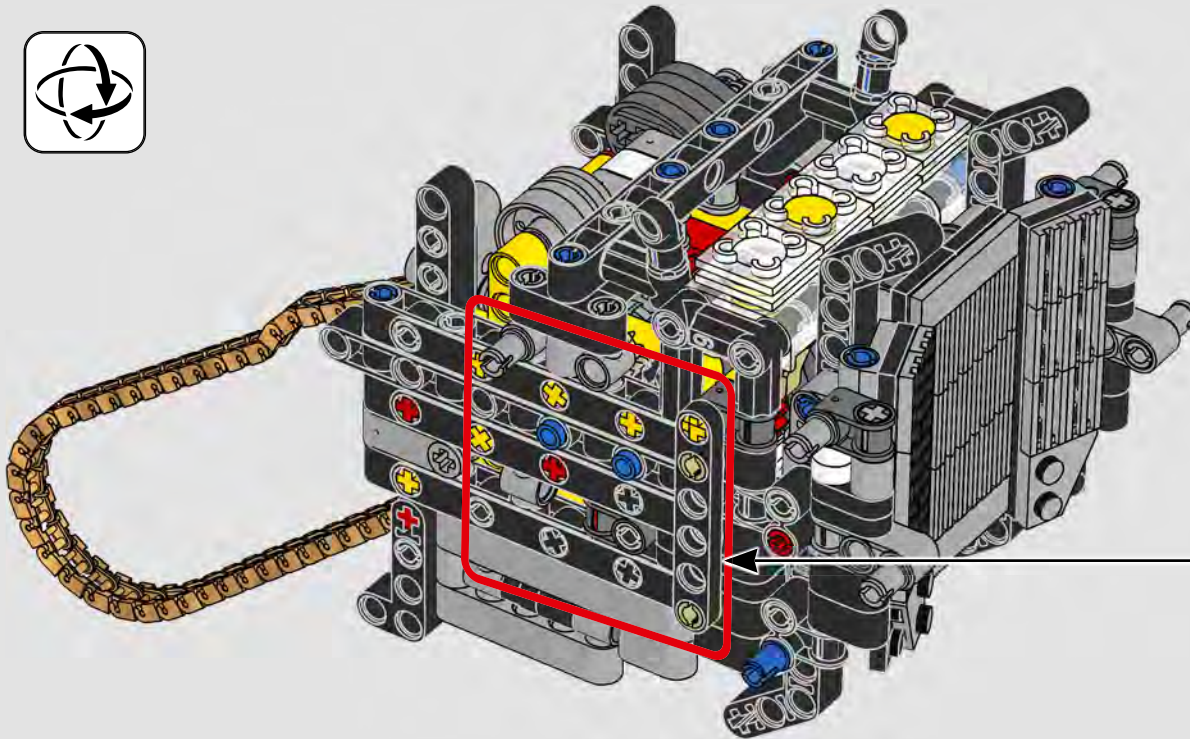


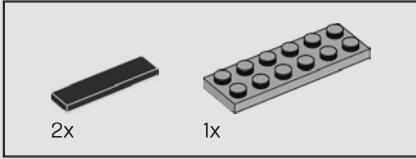
139



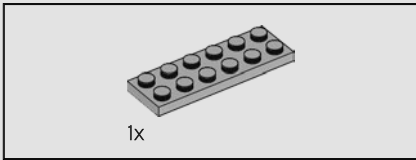
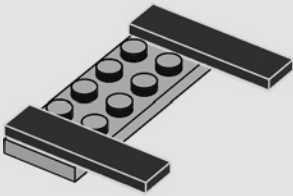


140

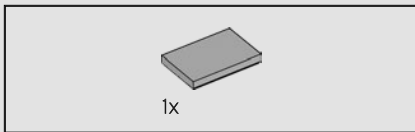
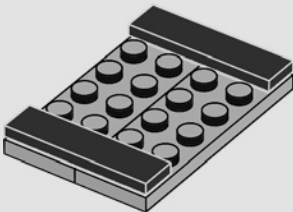




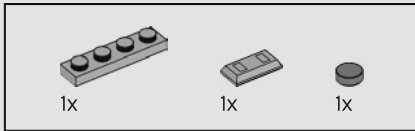
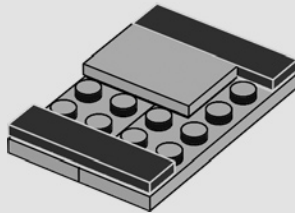
141



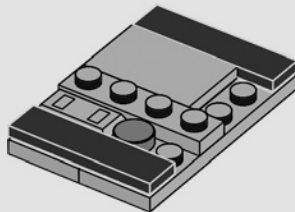
142

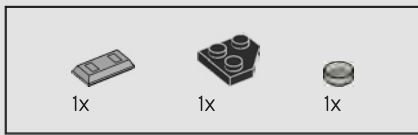


143

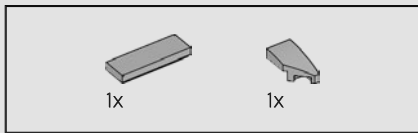
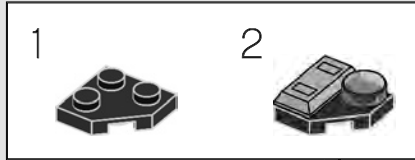


144

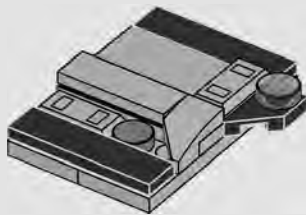




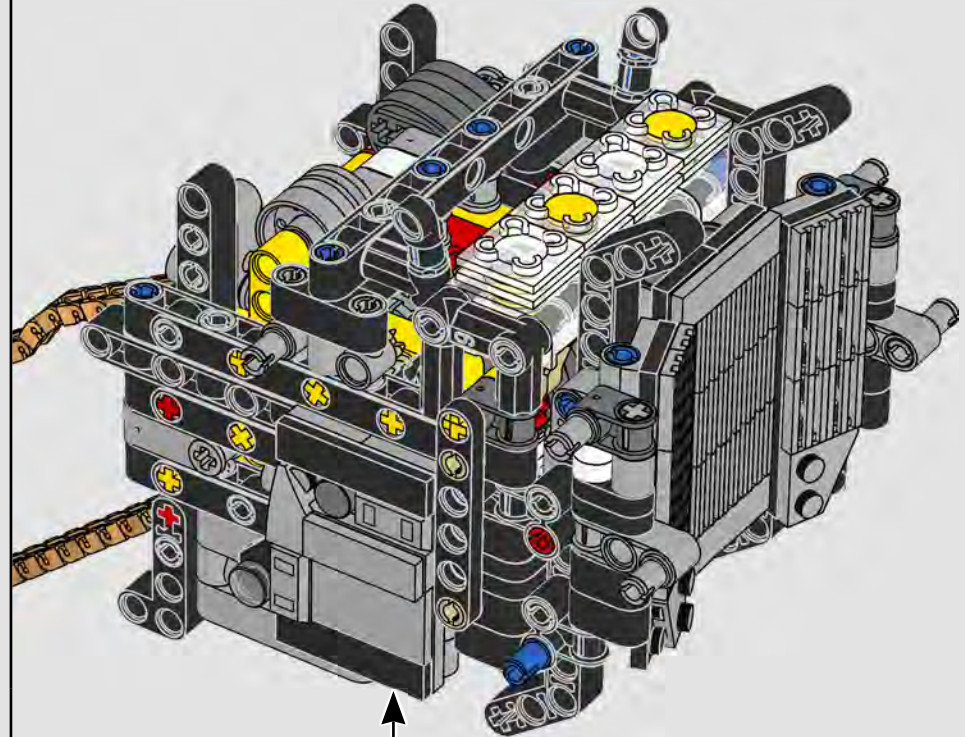
145

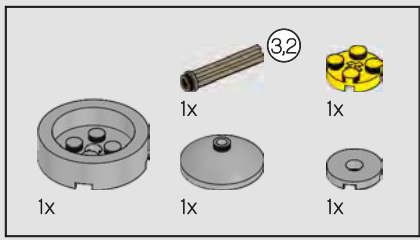


146

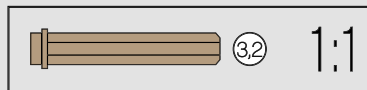
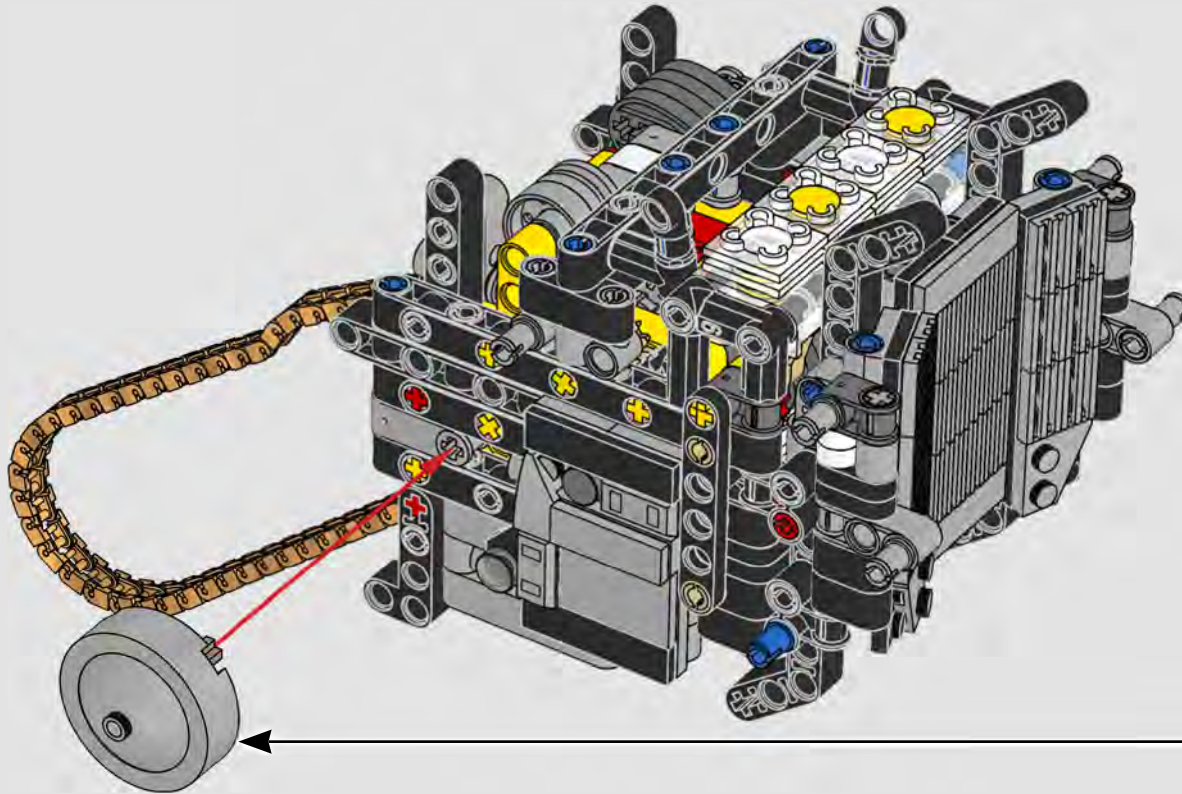
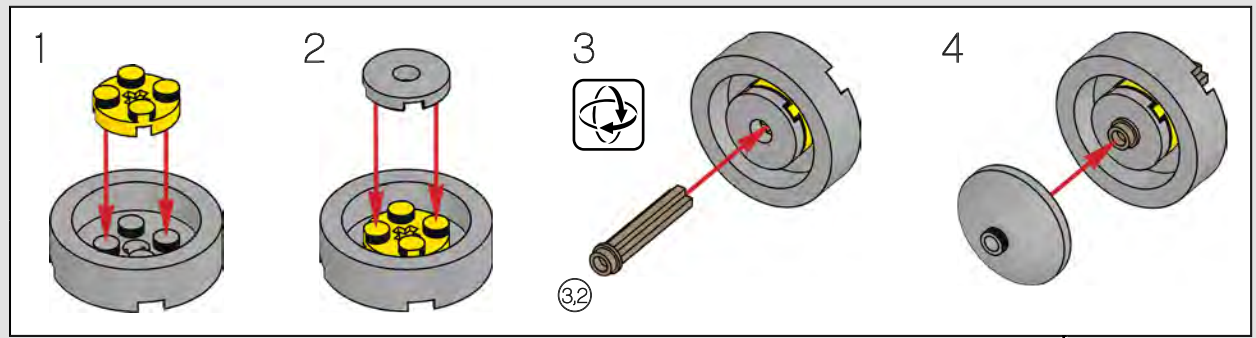


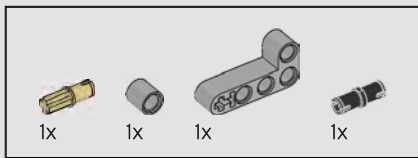
147



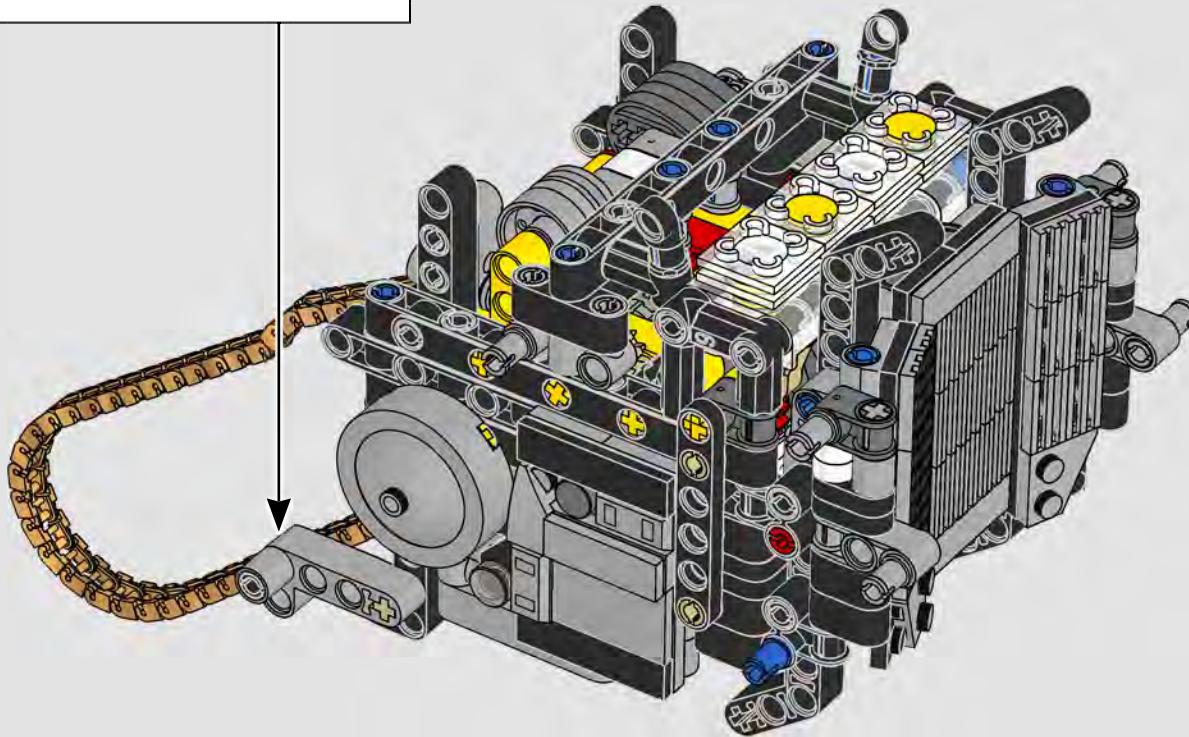
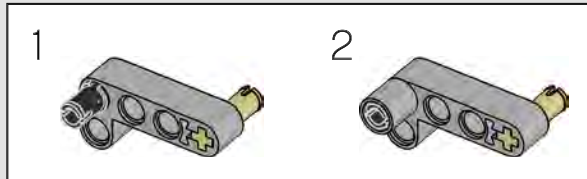


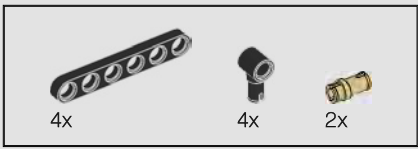
148



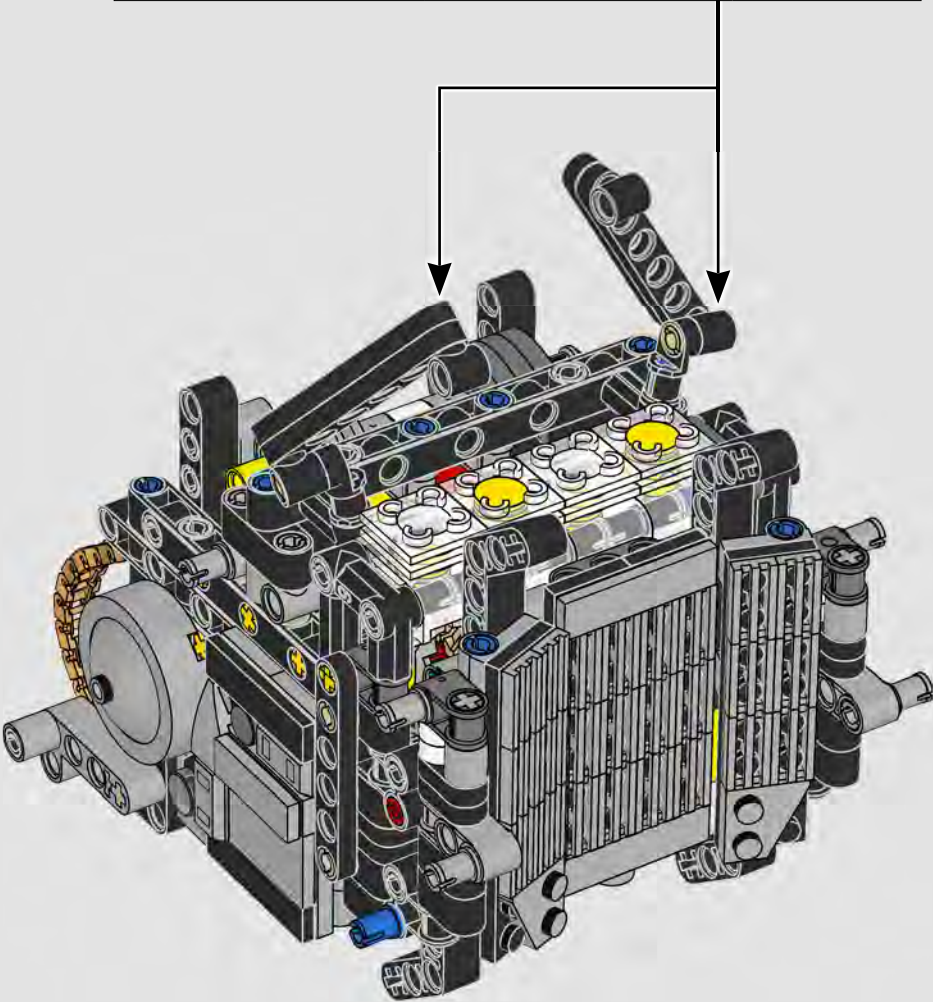
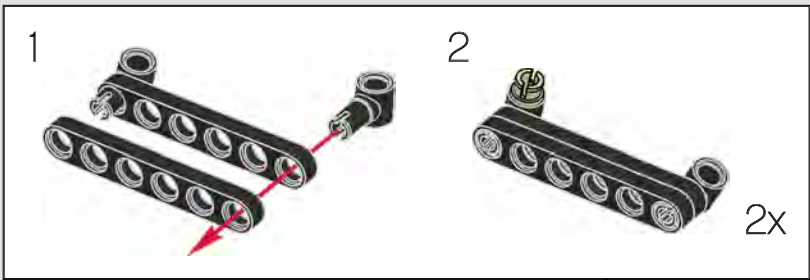


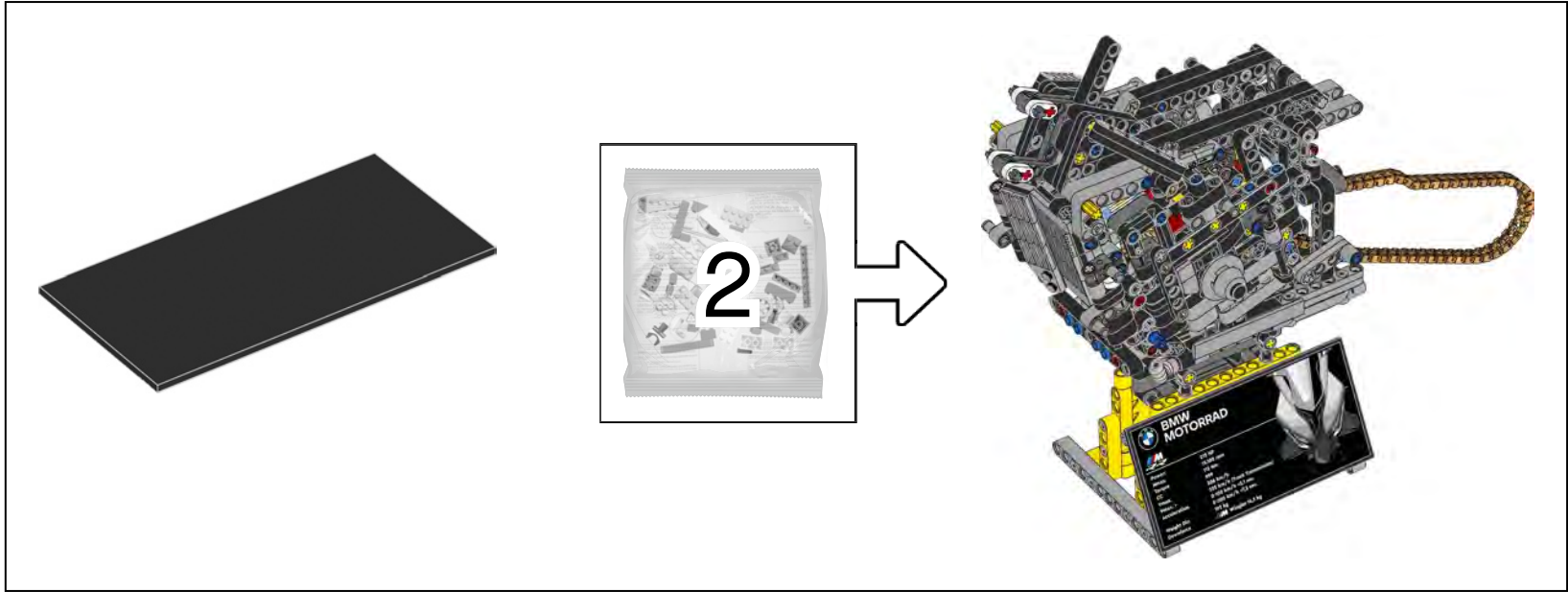
149

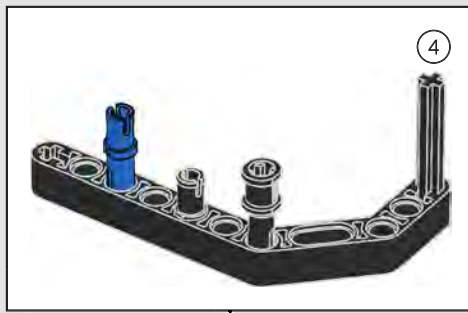
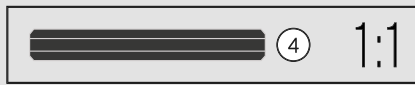
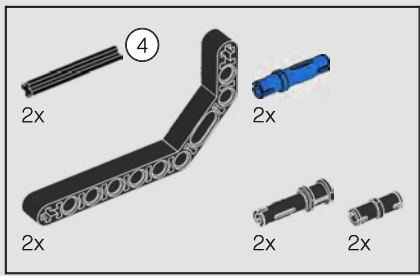




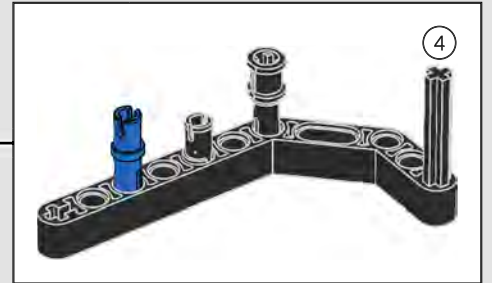
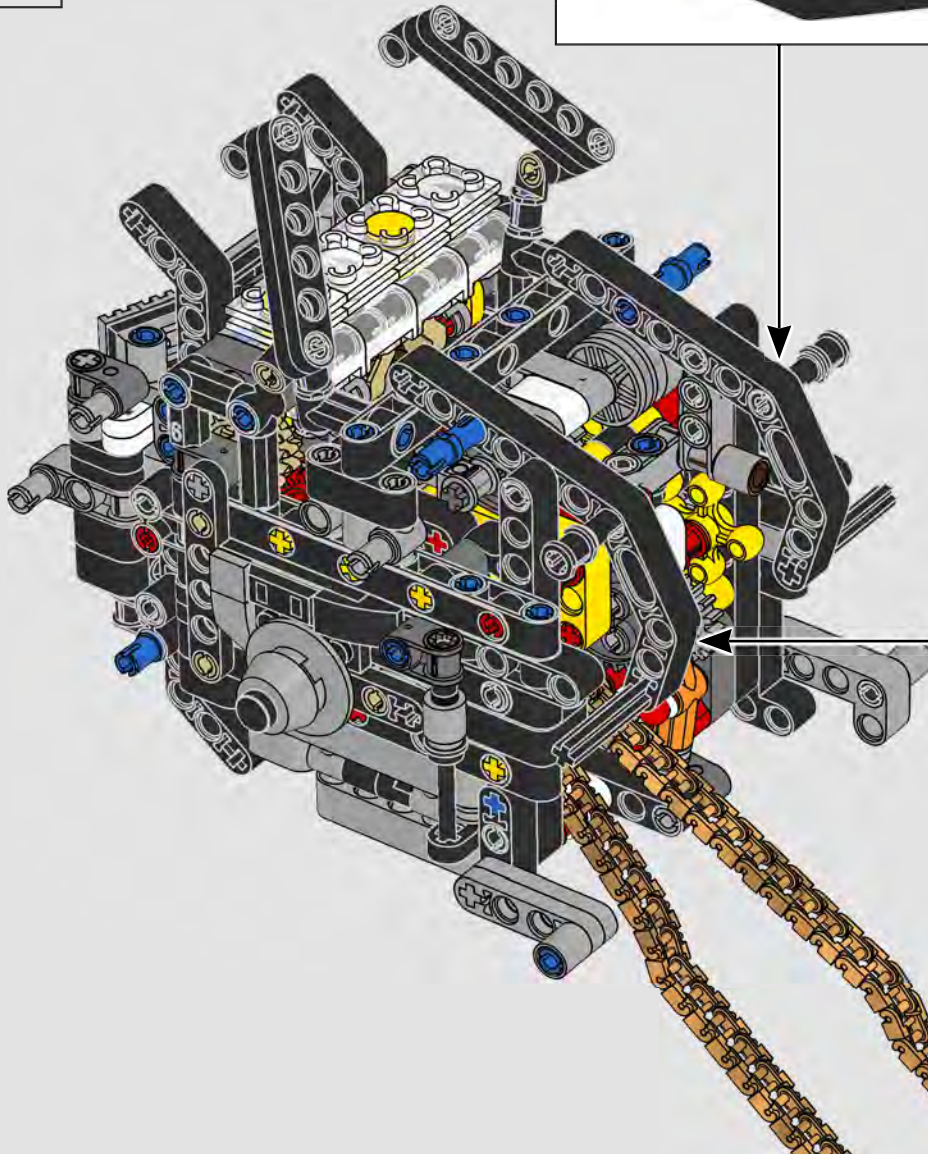
150

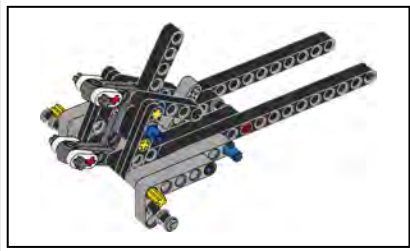




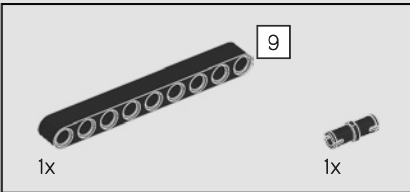


151

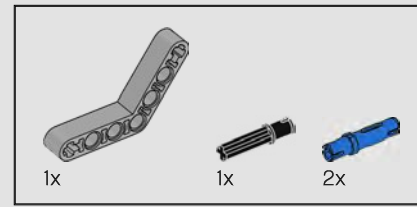
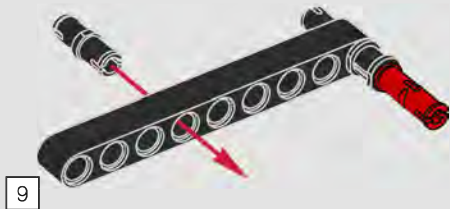




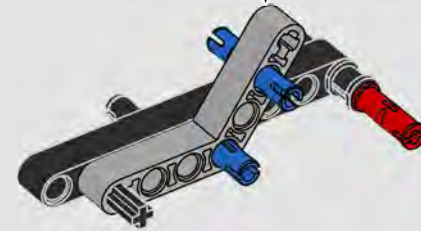
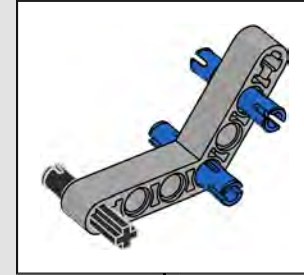
152

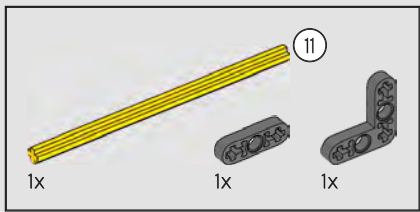


153

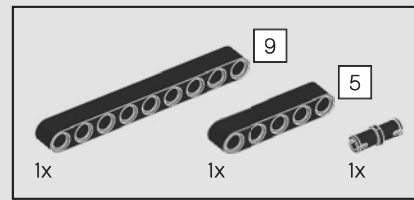
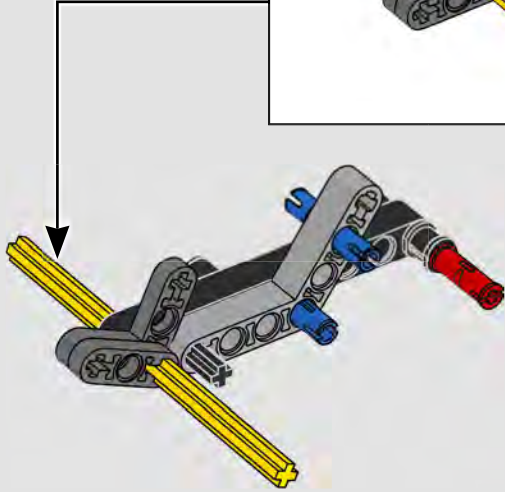
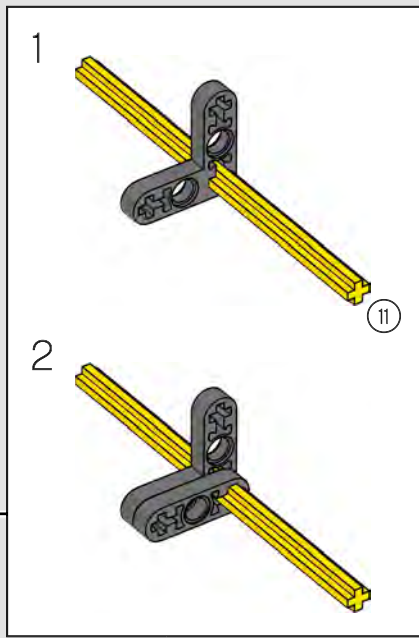


154

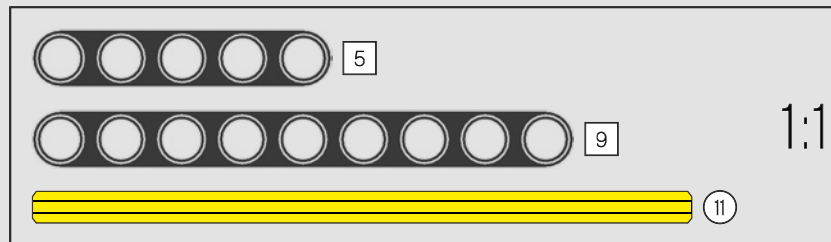
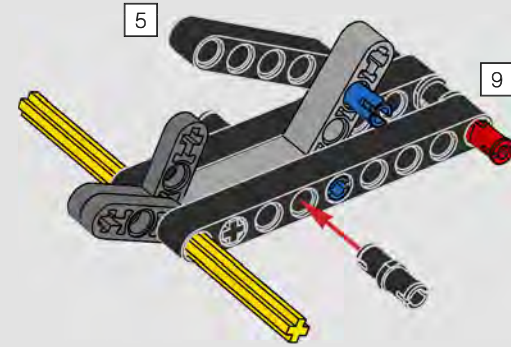


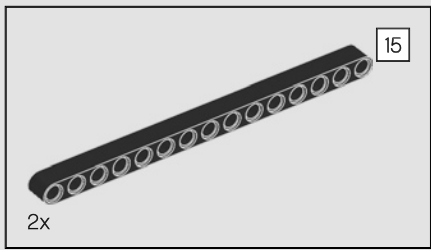


155

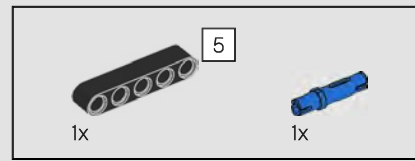
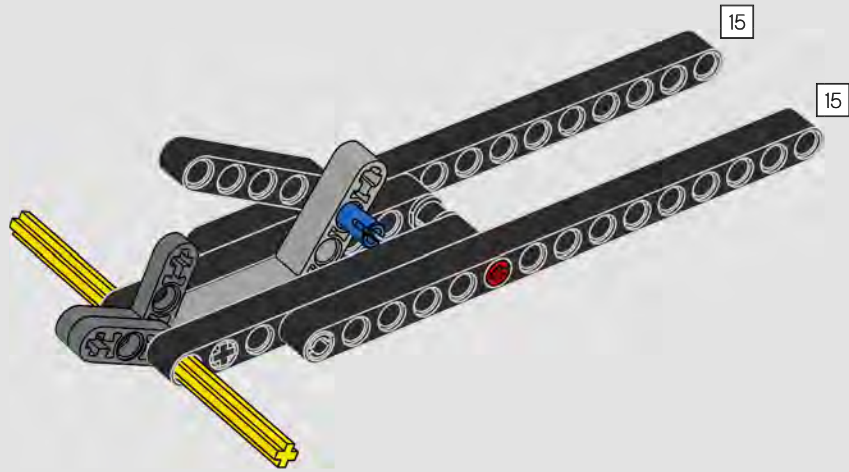


156

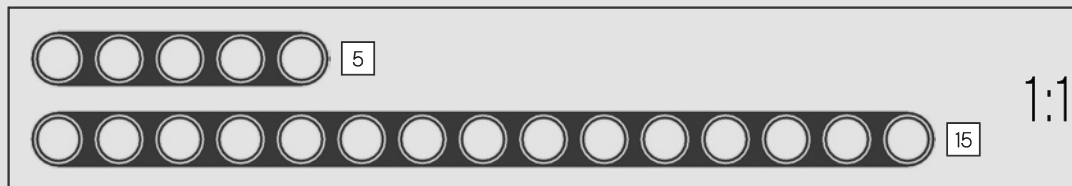
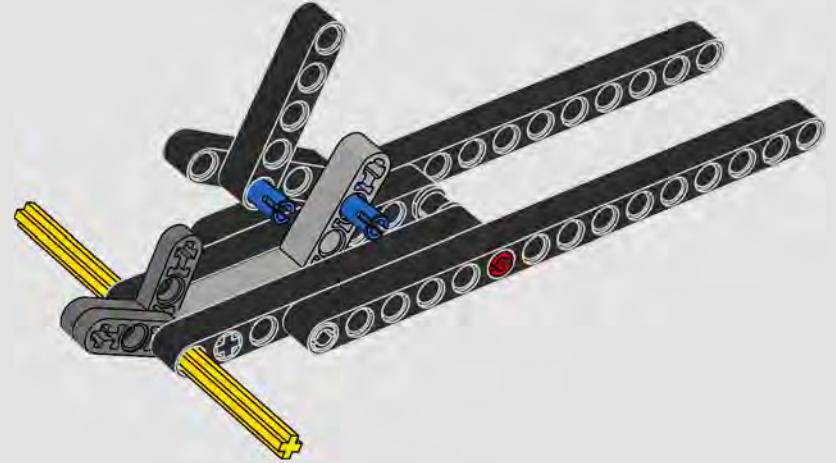


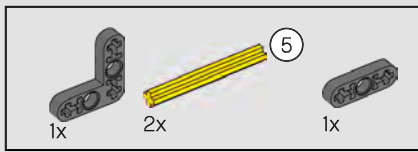


157

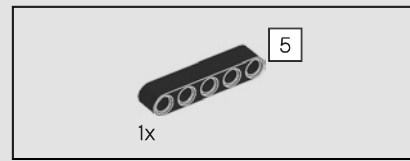
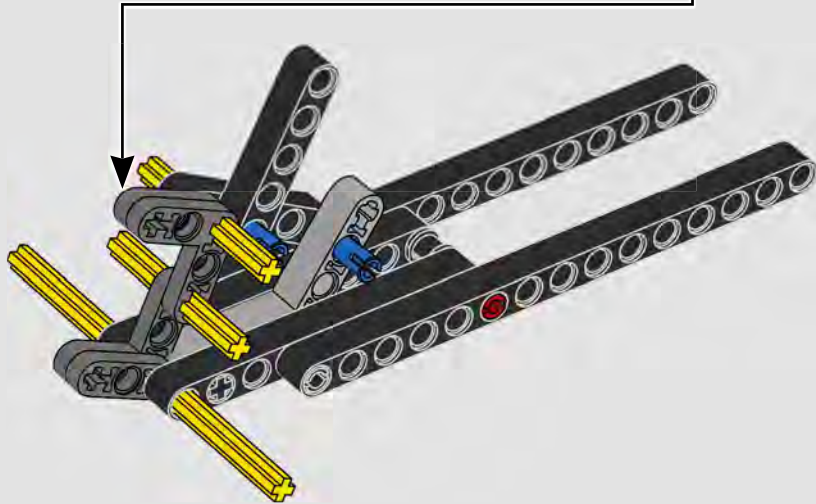
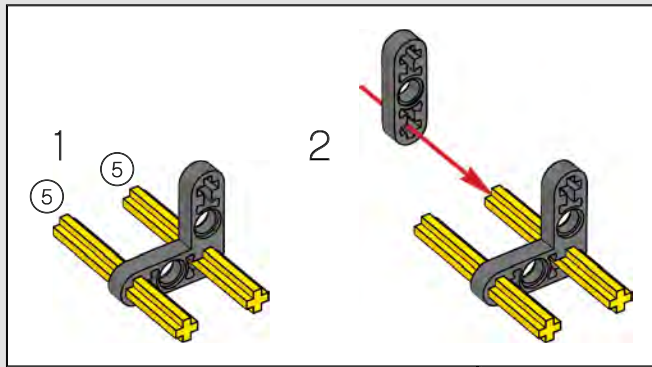


158

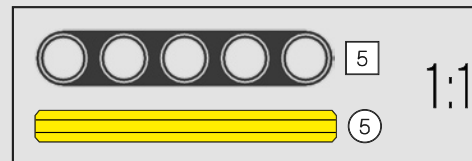
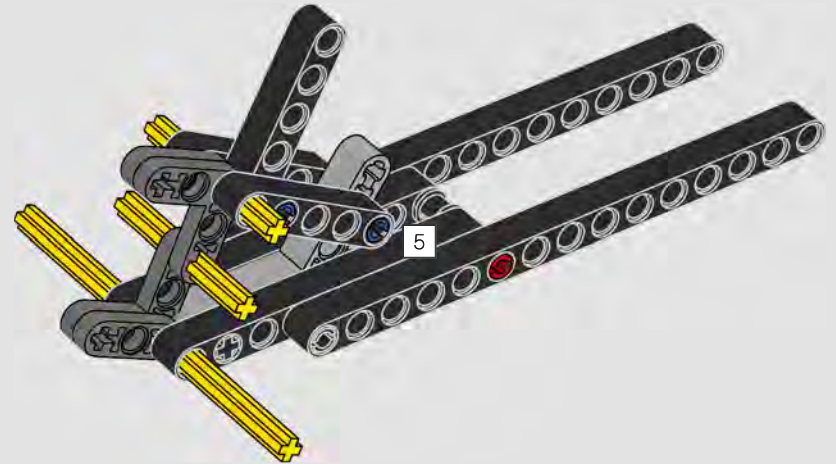




159

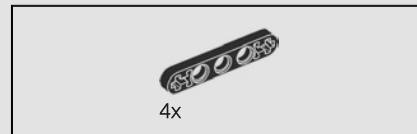
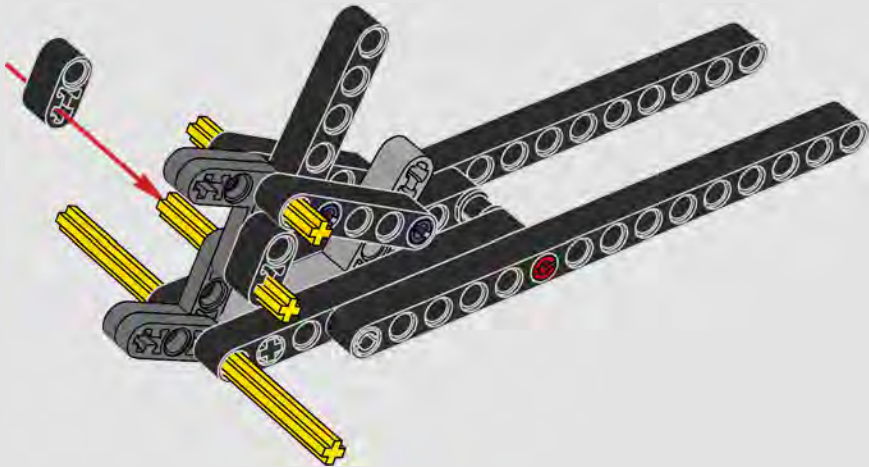


160

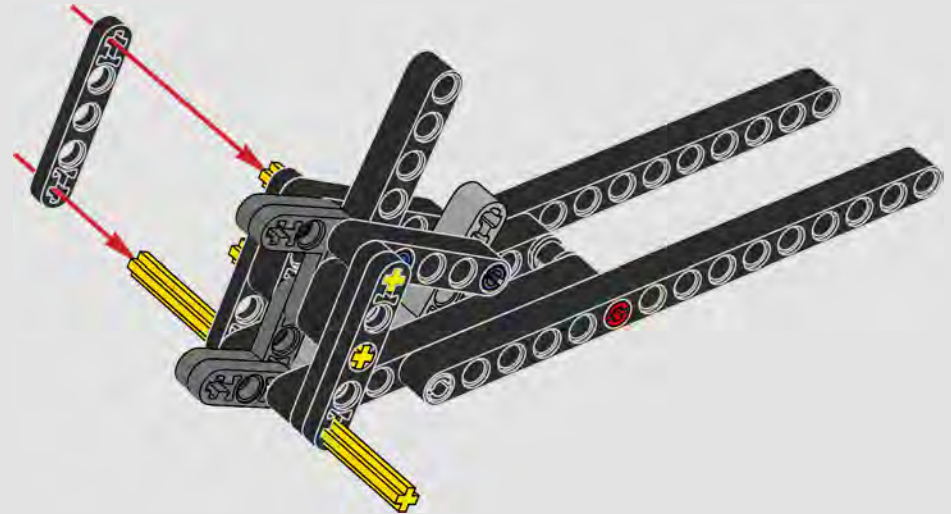


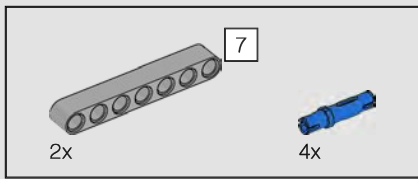


161

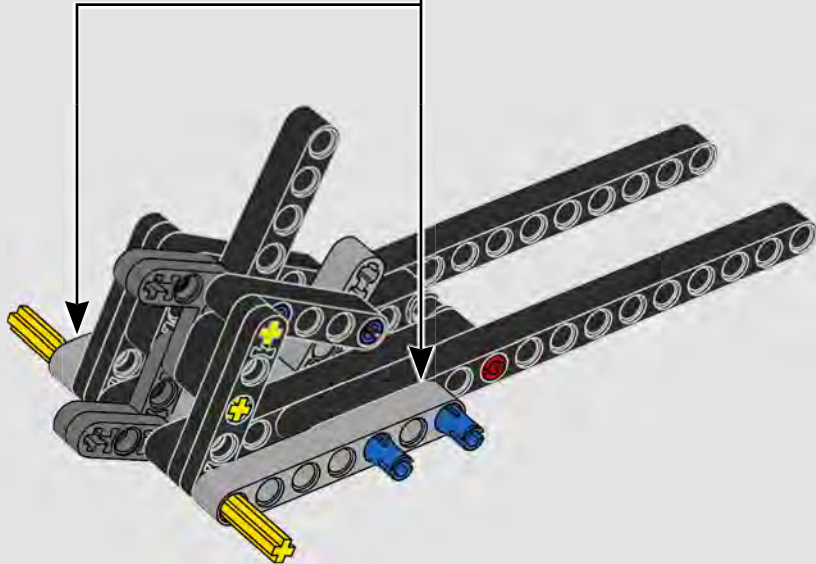
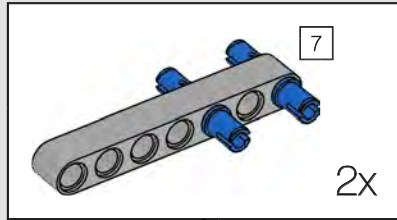


162

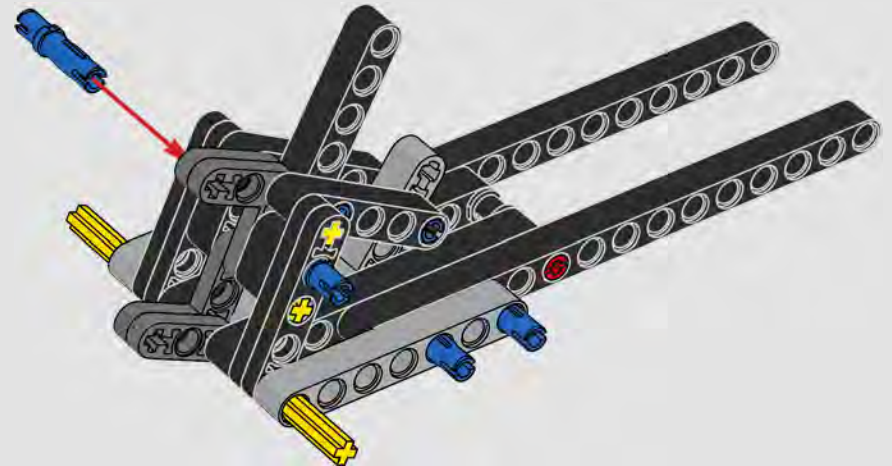


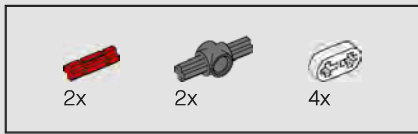


163

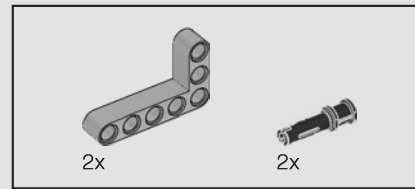
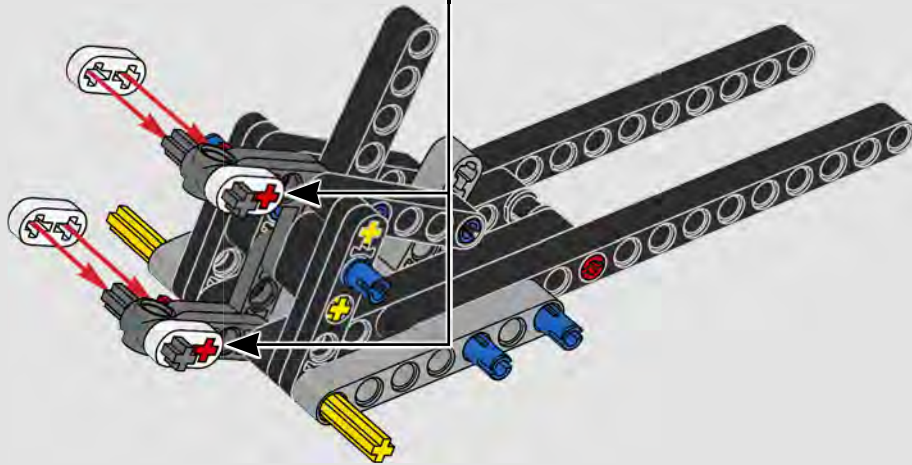


164

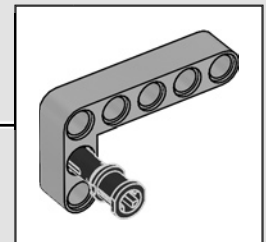
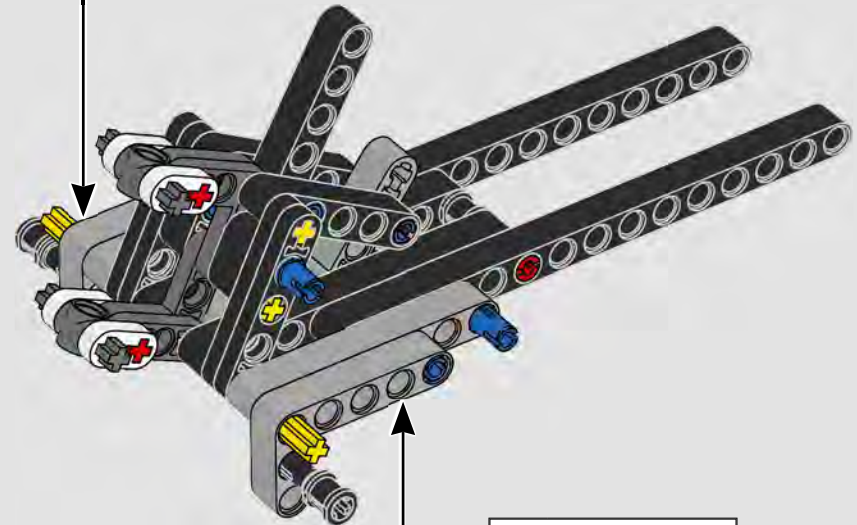
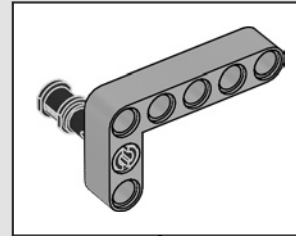


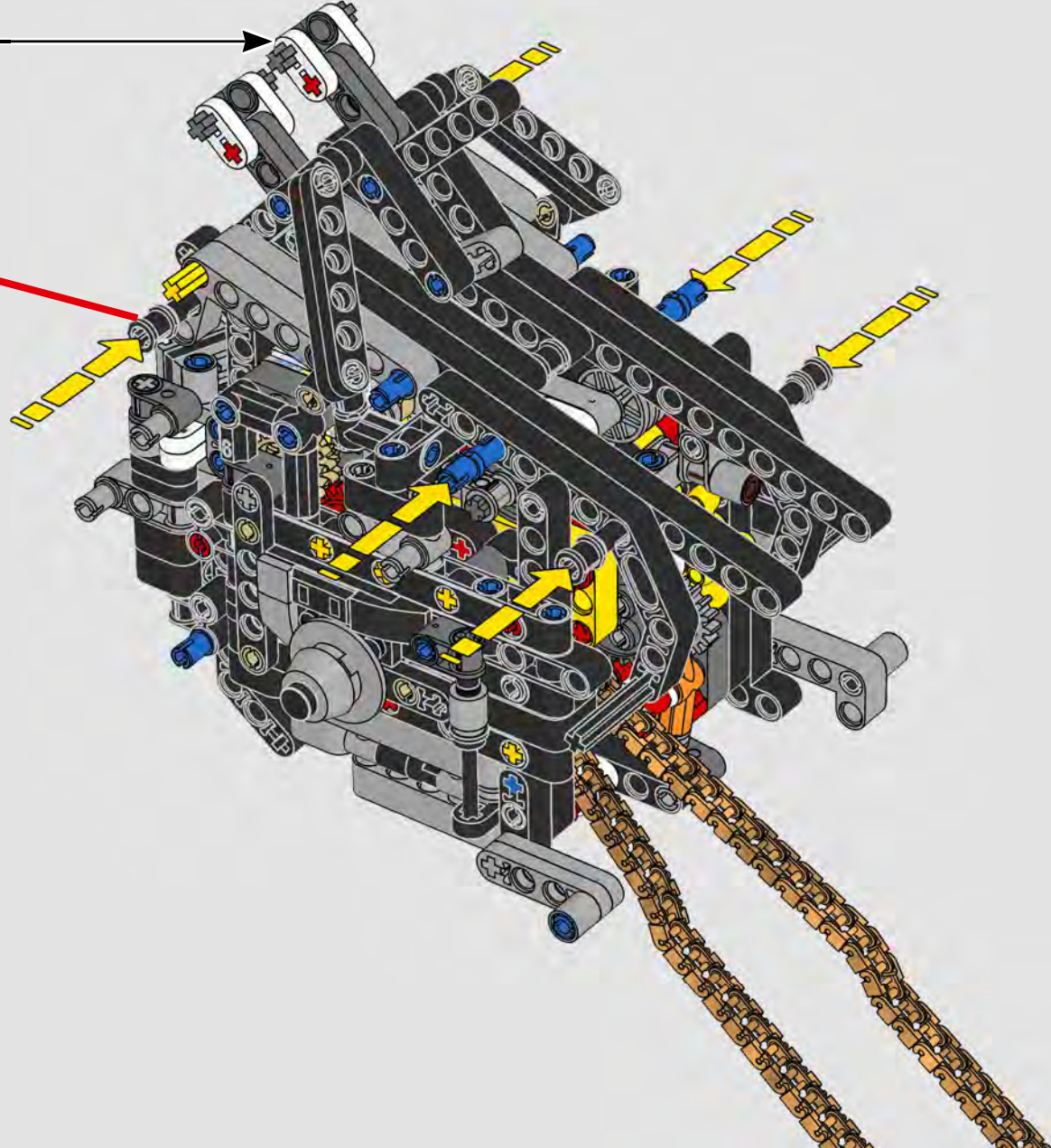
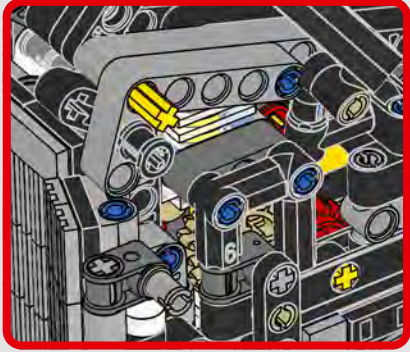


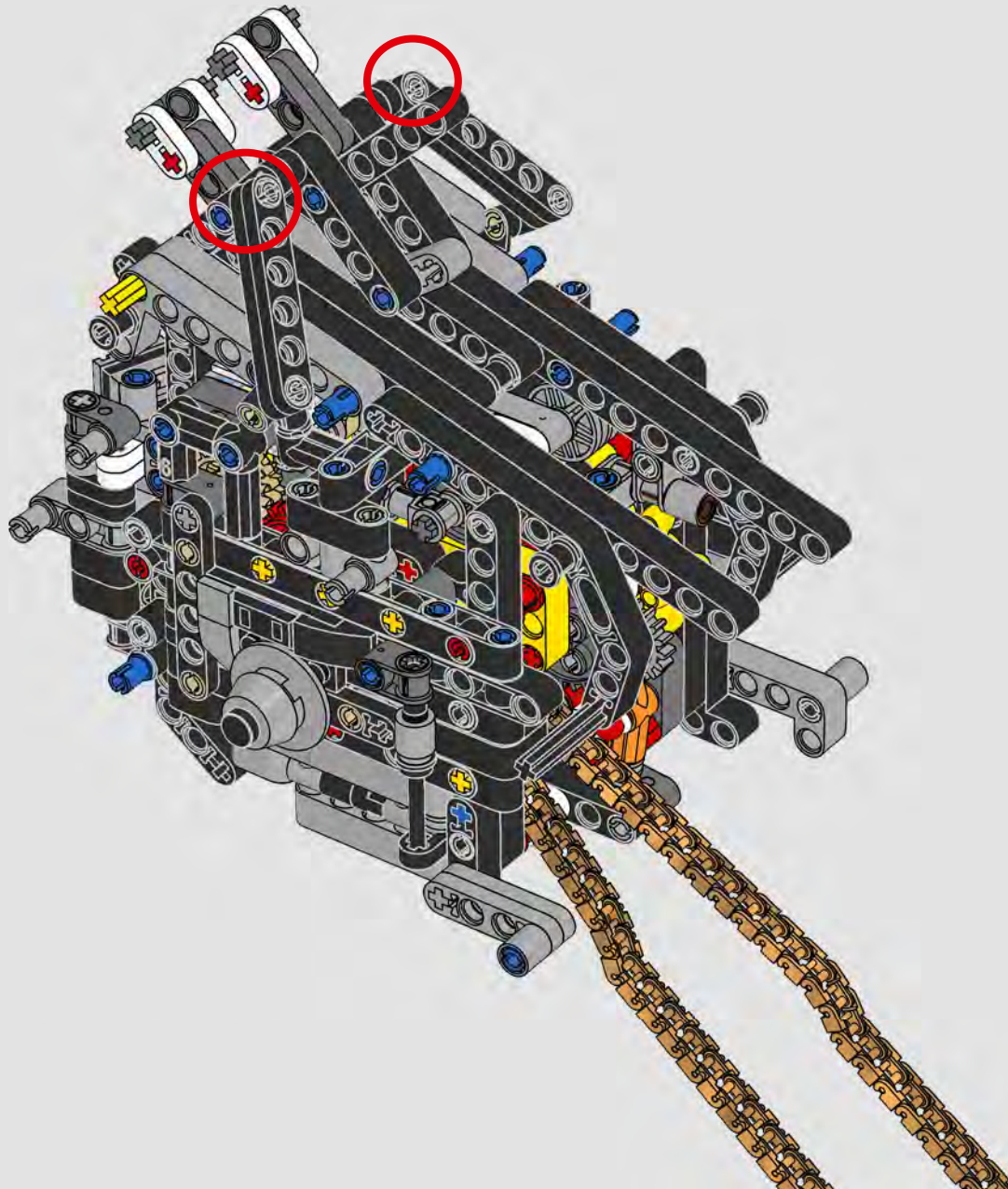
165

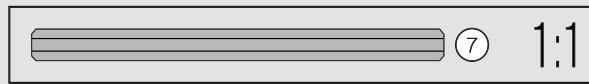
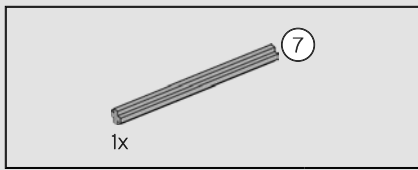


166

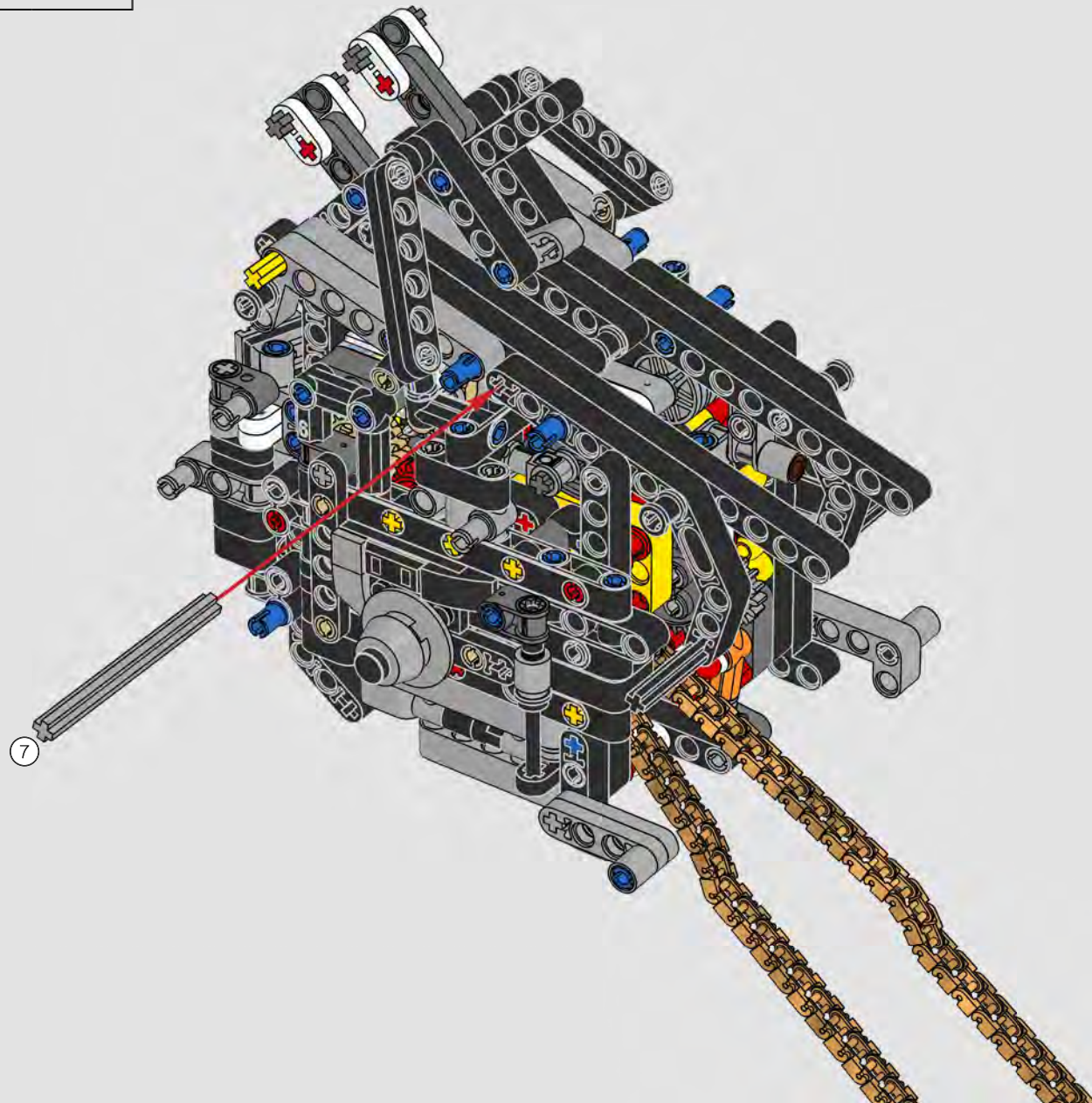


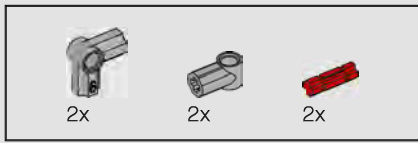




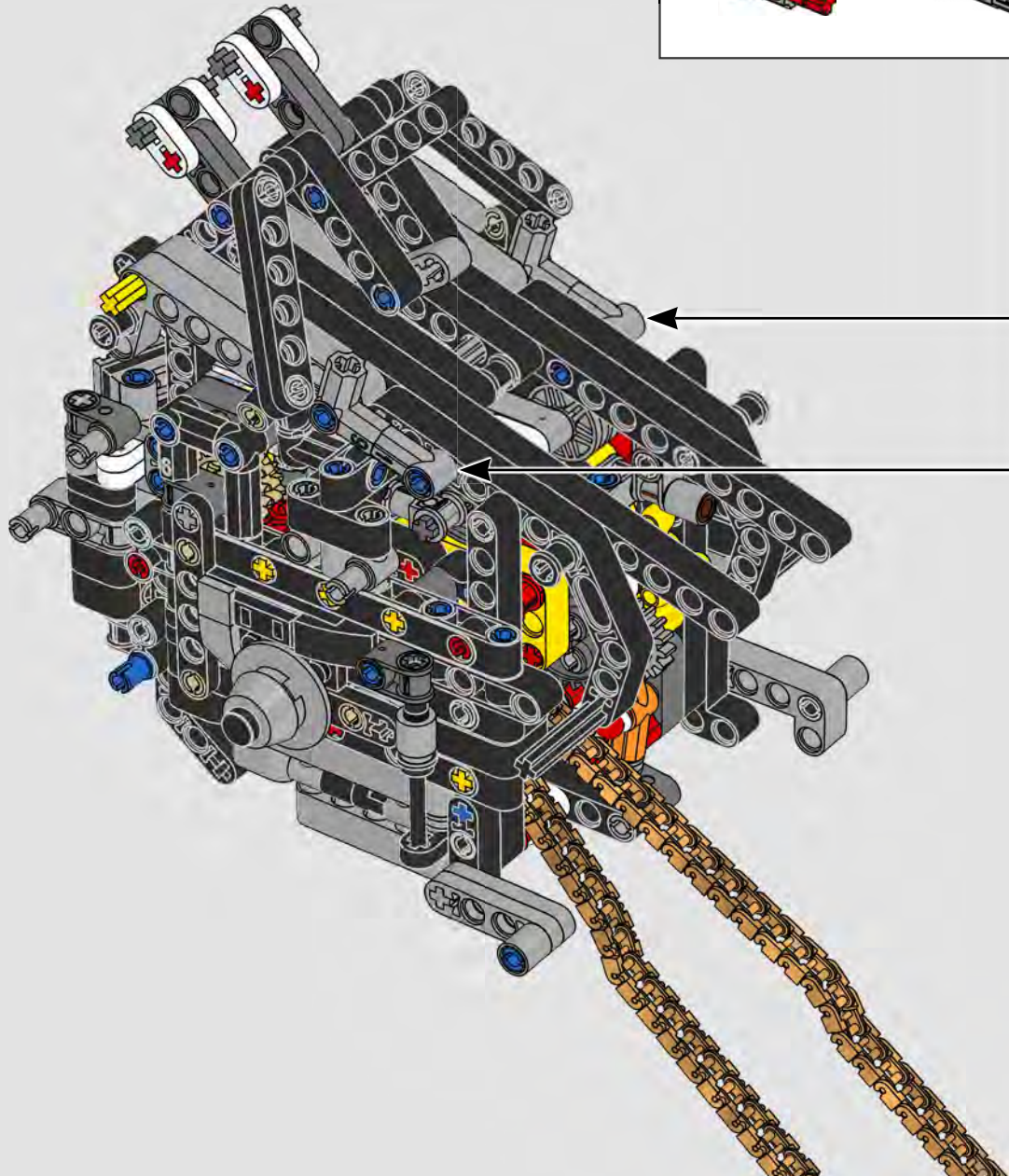
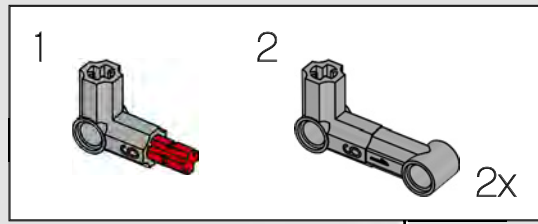


169





170

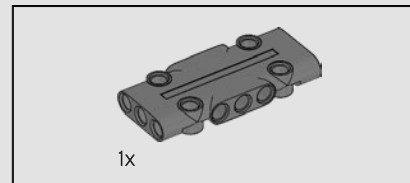




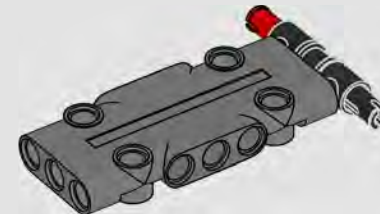
171

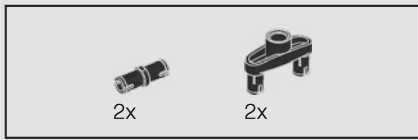


172

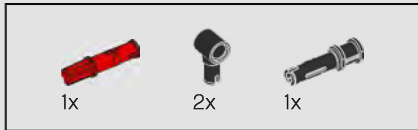
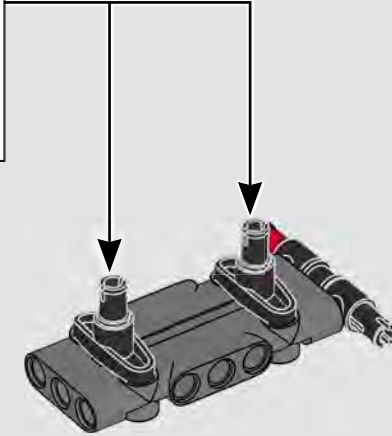
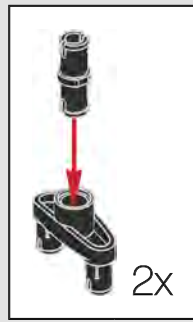


173

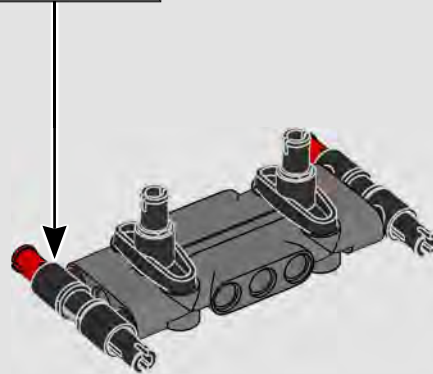


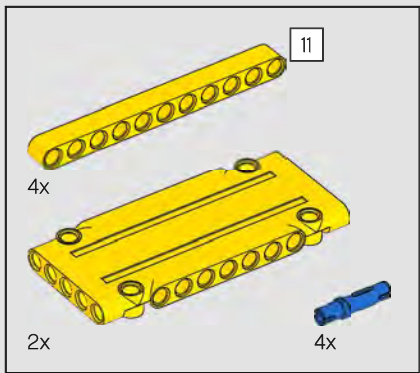


174

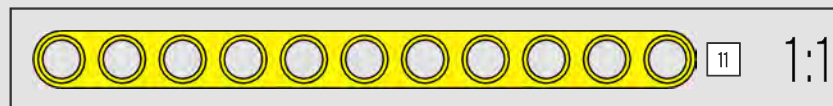
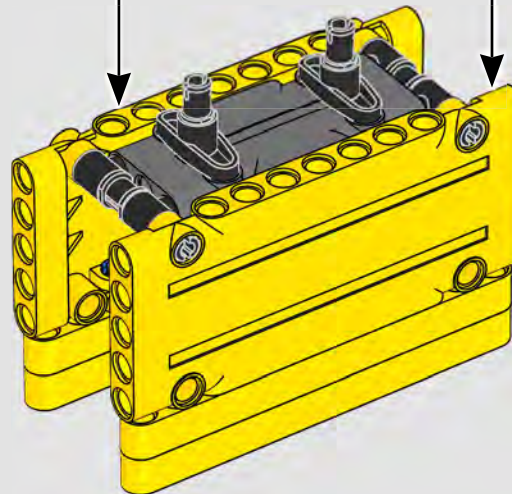
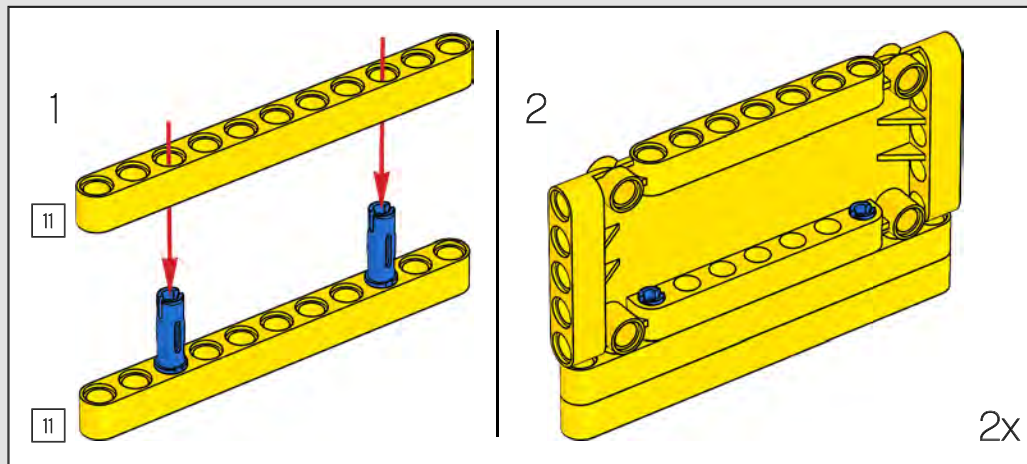


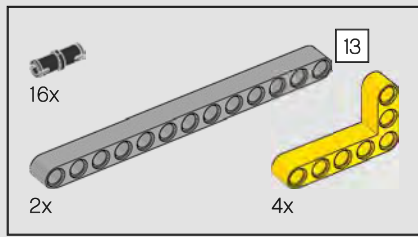
175



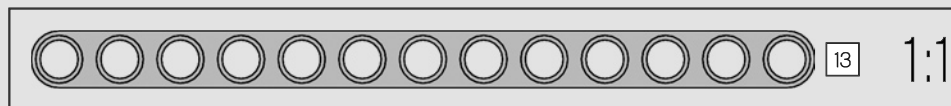
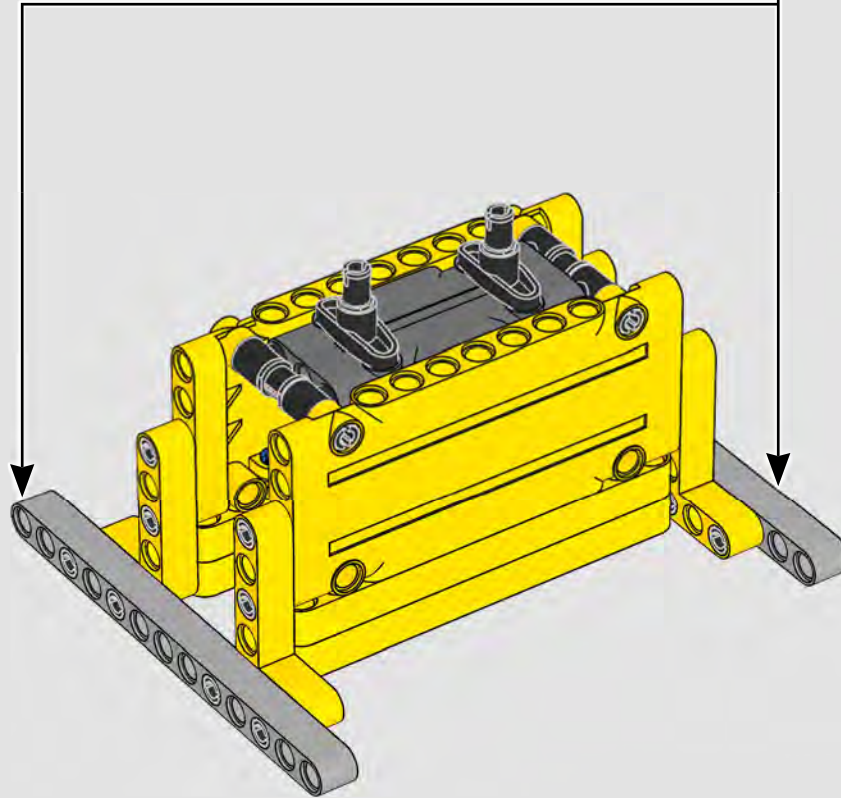
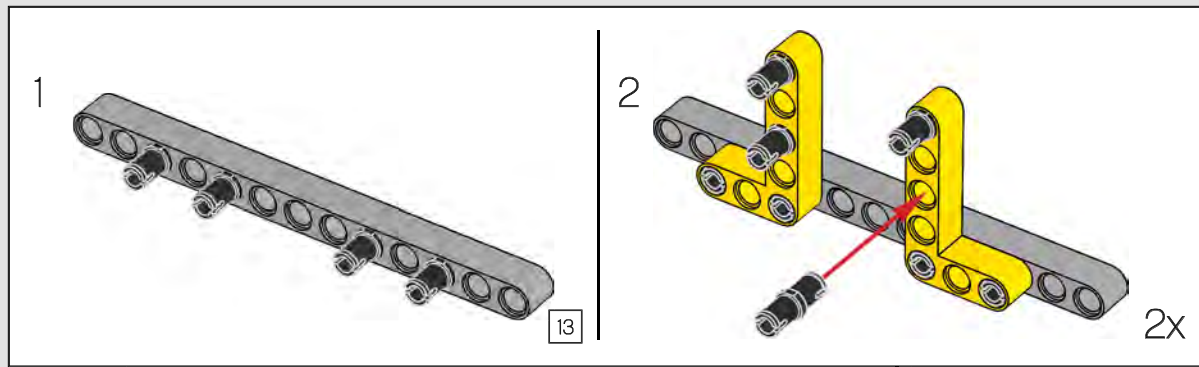


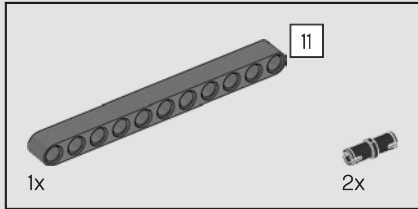
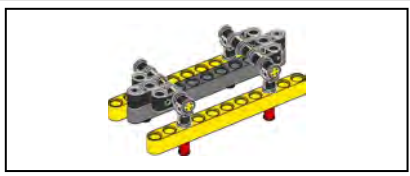
176



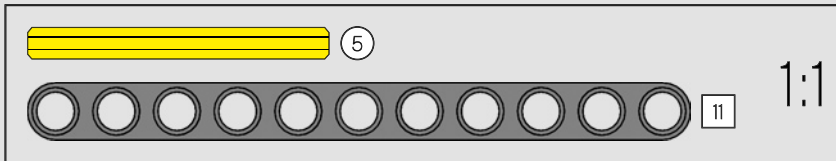
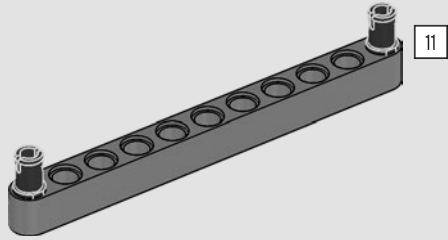


177

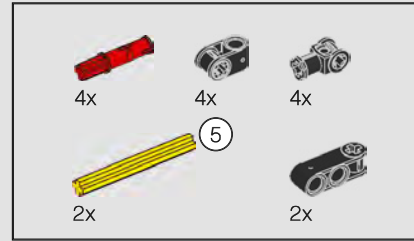




178



2x



179

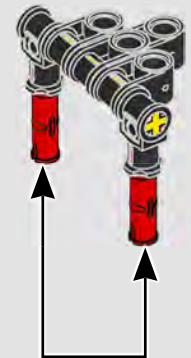
1



2



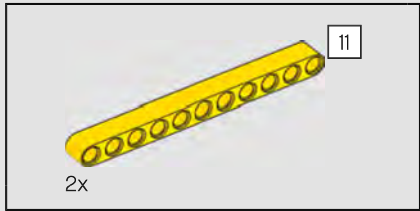
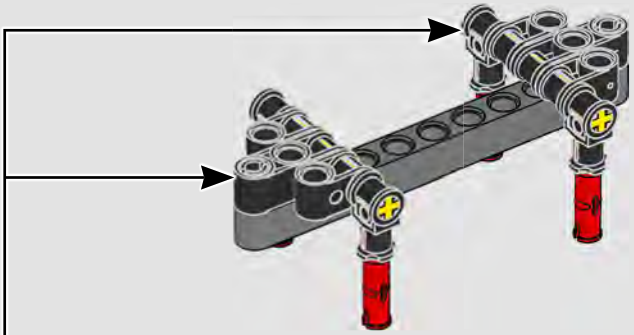
3



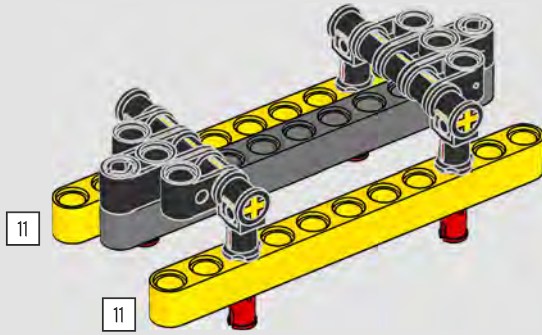
2x



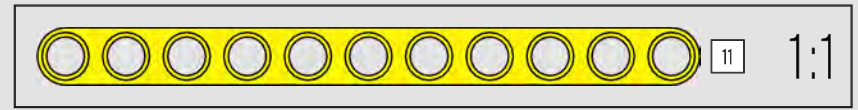
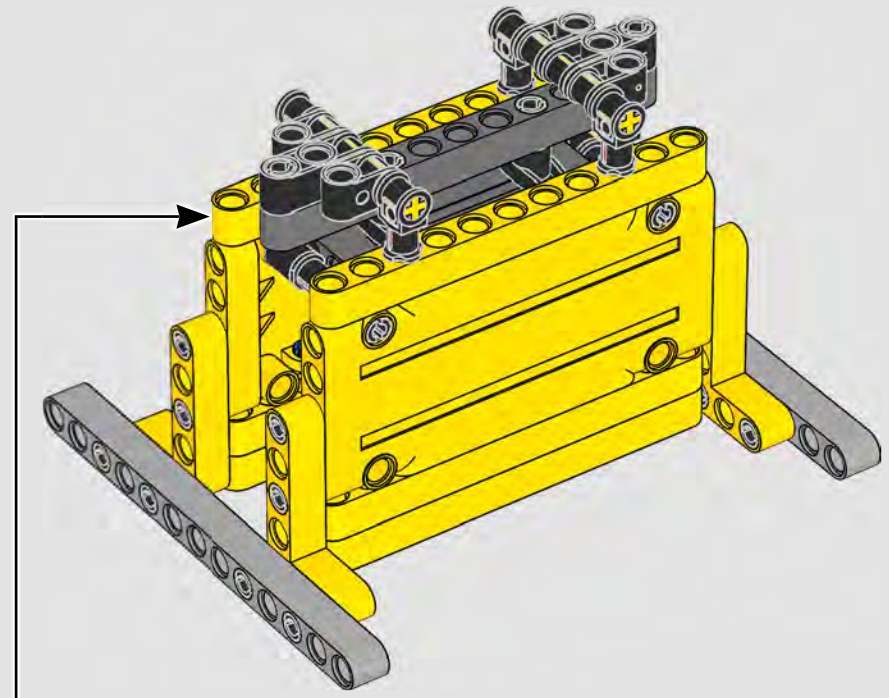
180

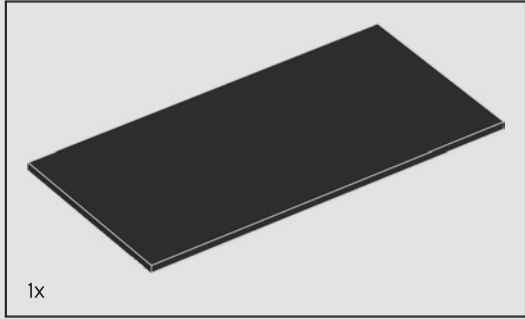
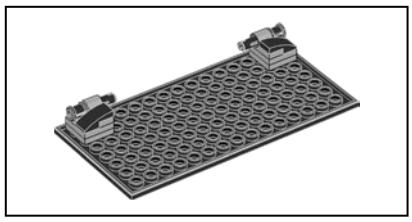


181



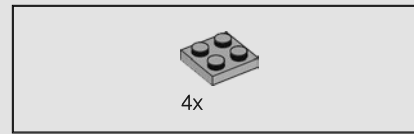
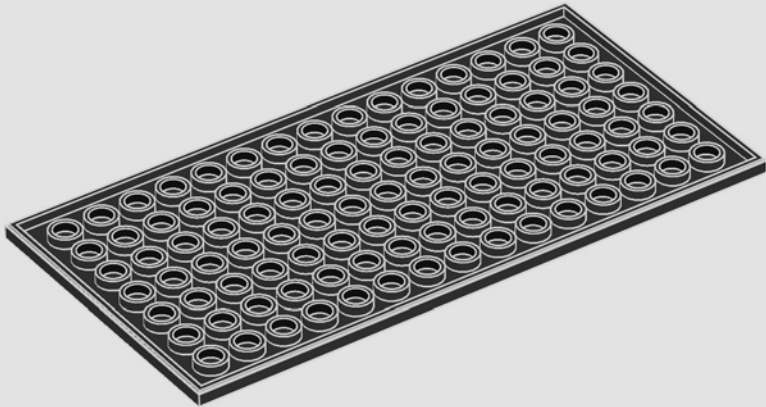
182





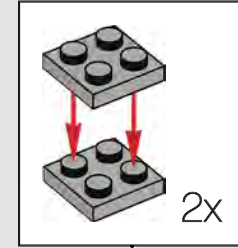
1x

183

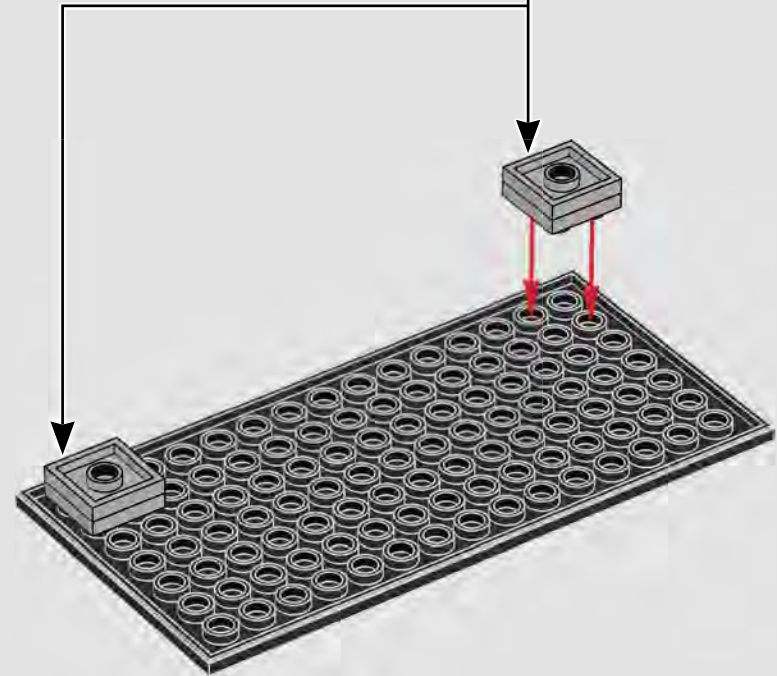


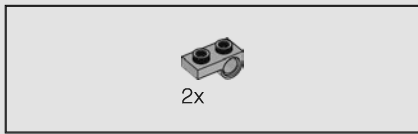
4x

184

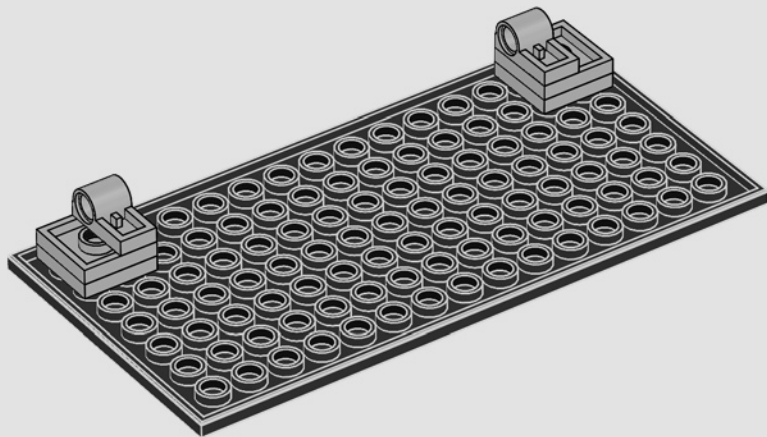


2x

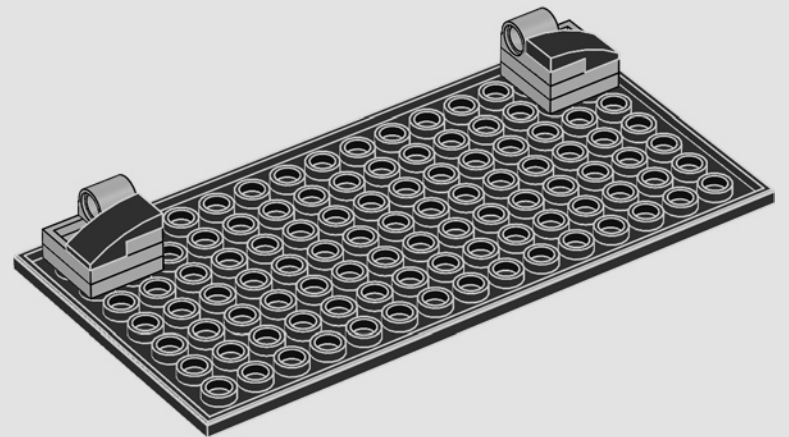




185

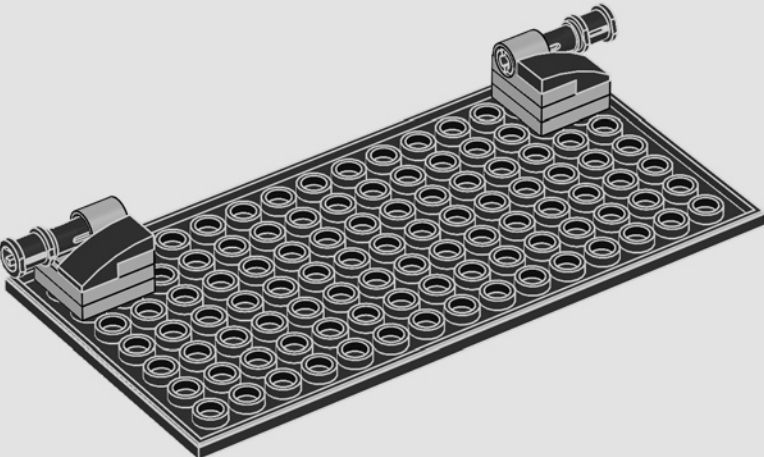


186

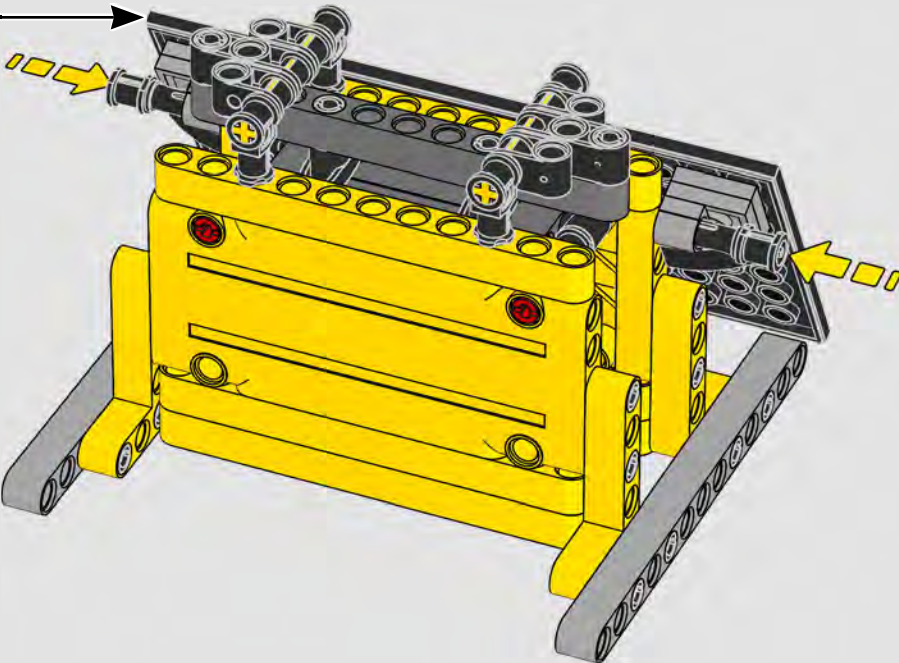


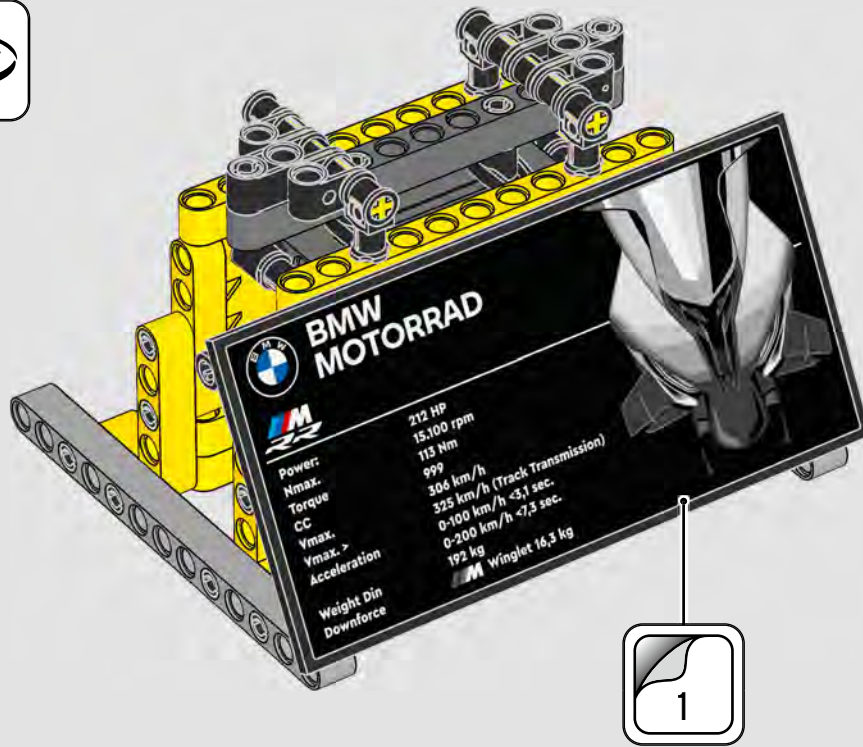


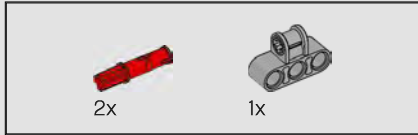
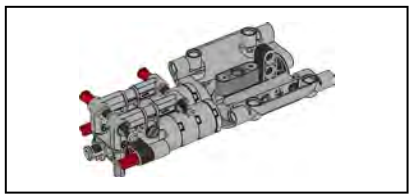
187



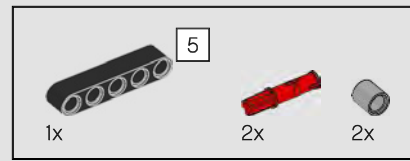
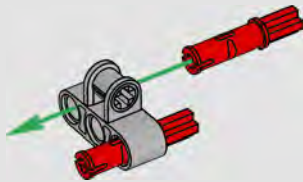
188



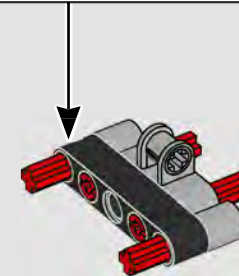
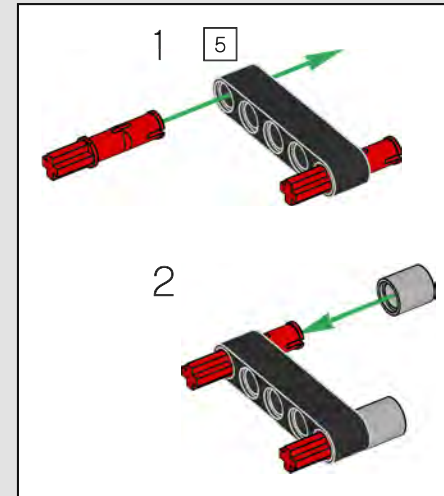


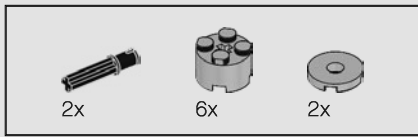


190

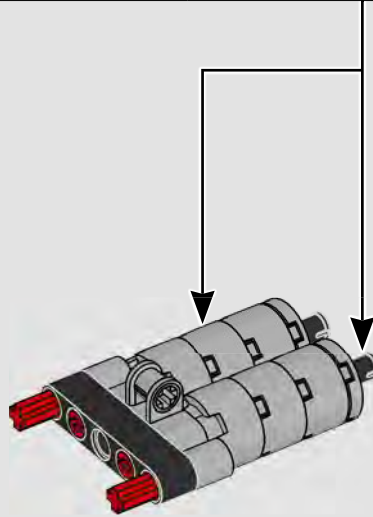
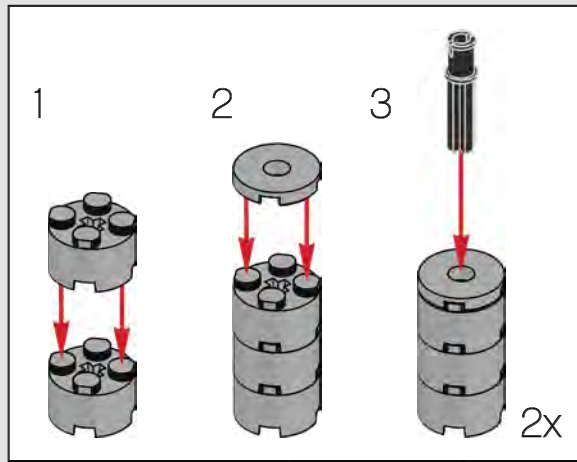


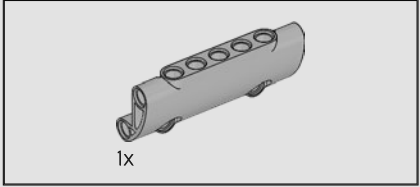
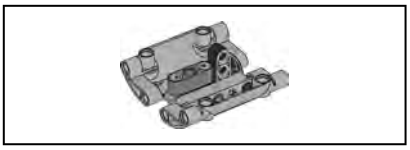
191



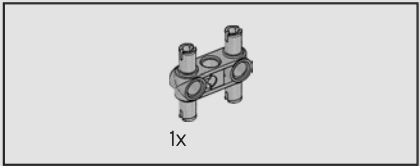
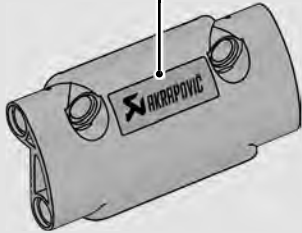


192

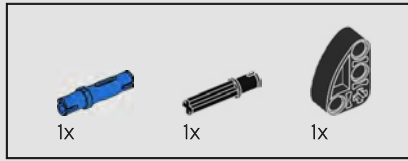
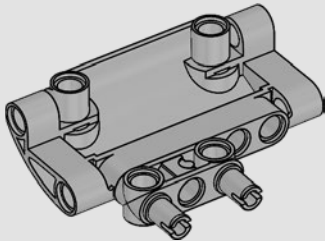




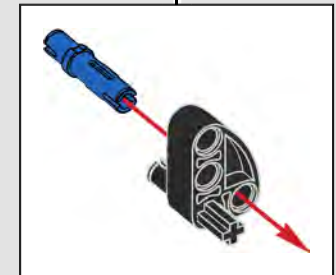
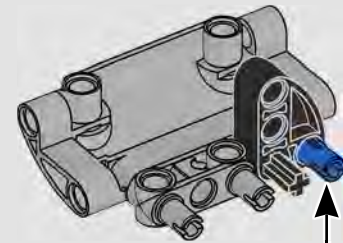
193

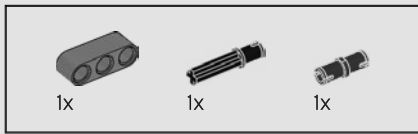


194

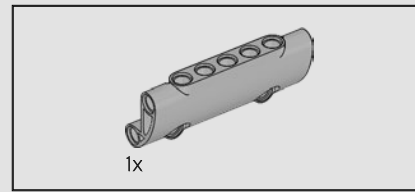
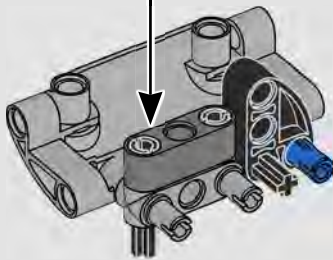
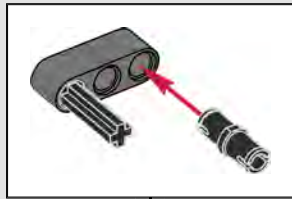


195

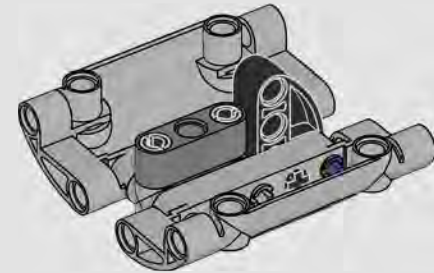
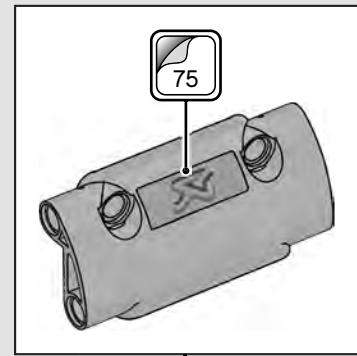




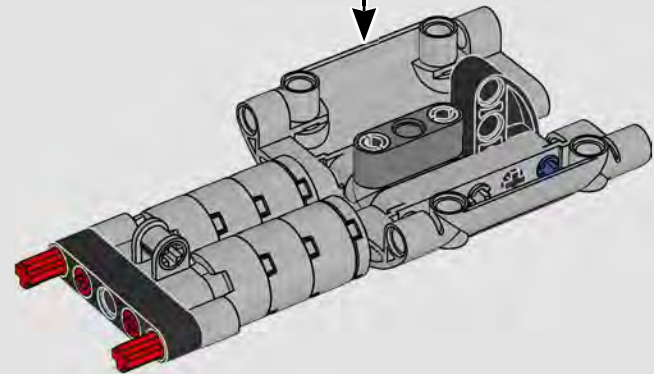
196

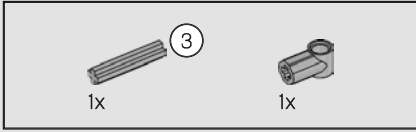
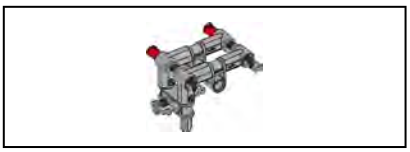


197

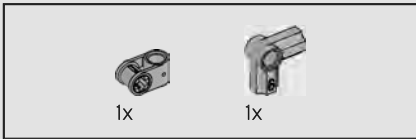
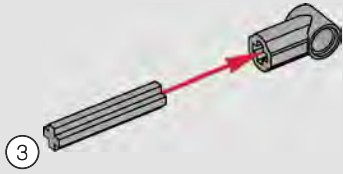


198

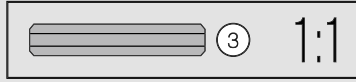
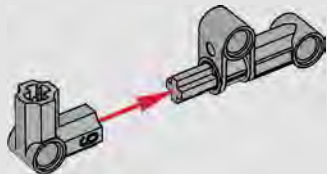




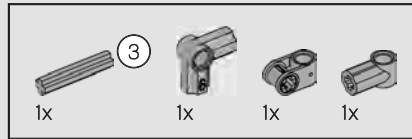
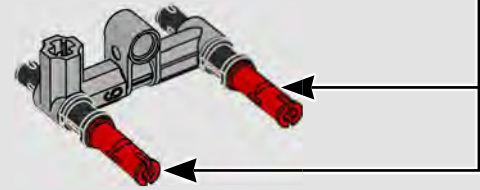
199



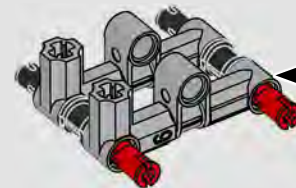
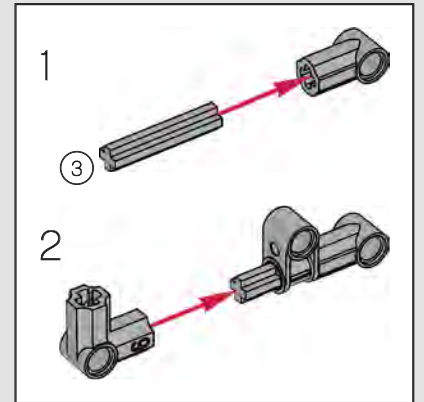
200

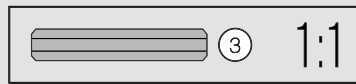
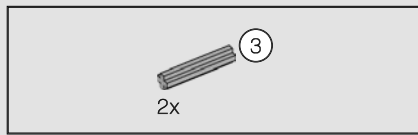


201

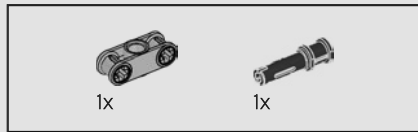
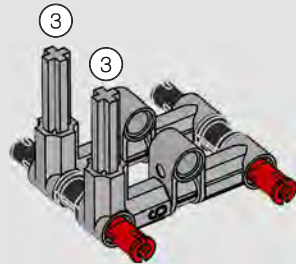


202

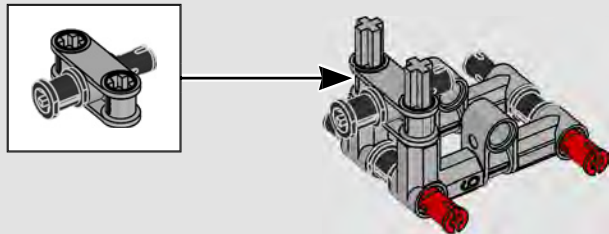




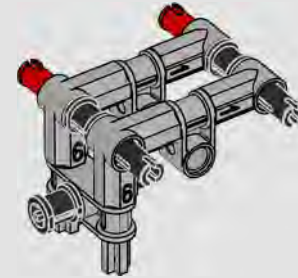
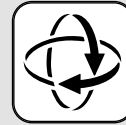
203



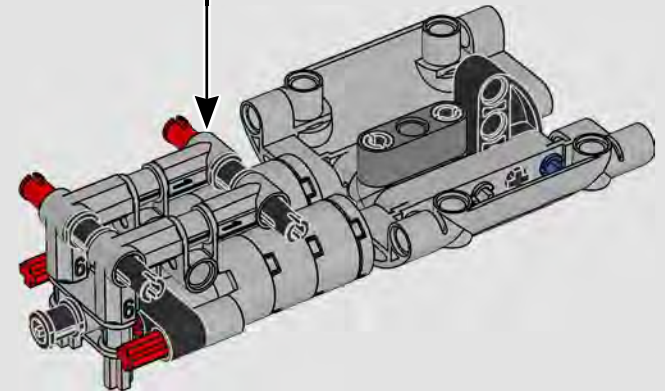
204



205

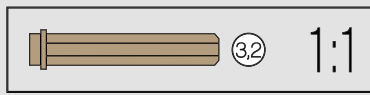
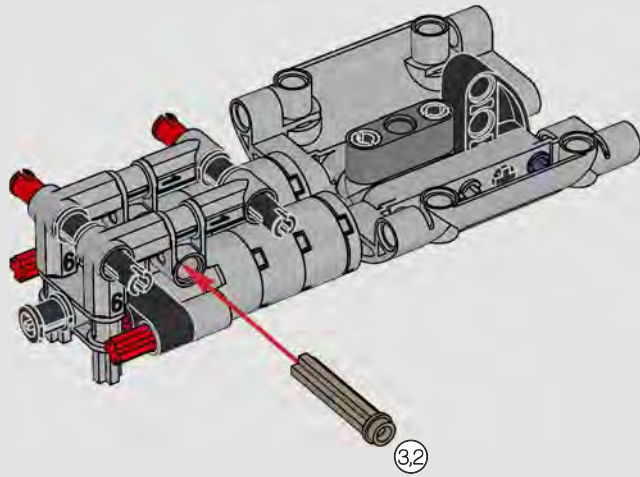


206

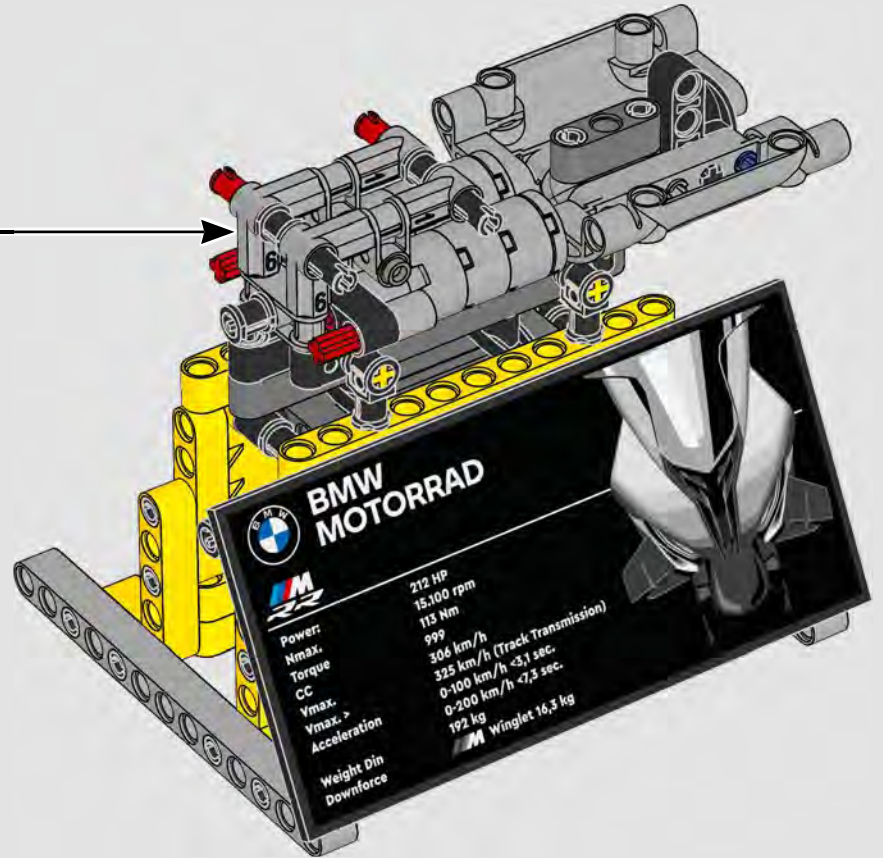


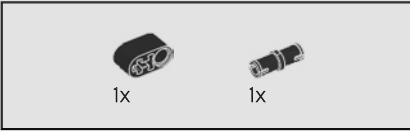


207

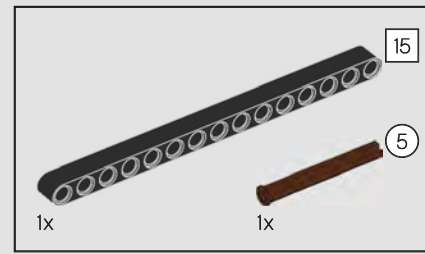


208

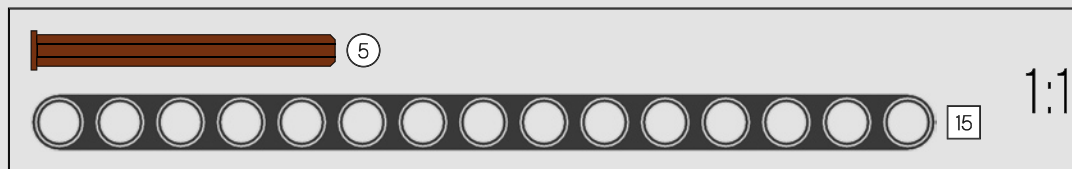
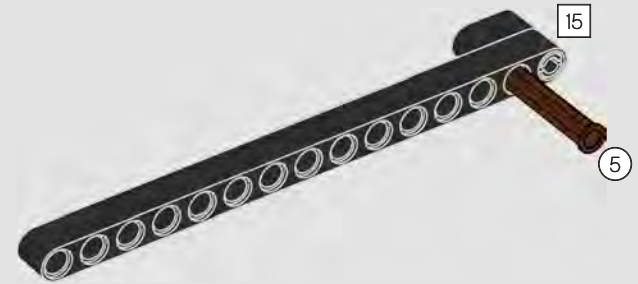


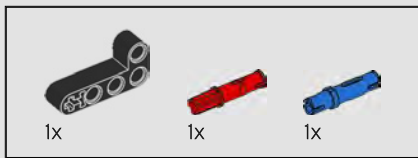


209

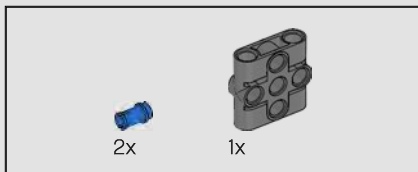
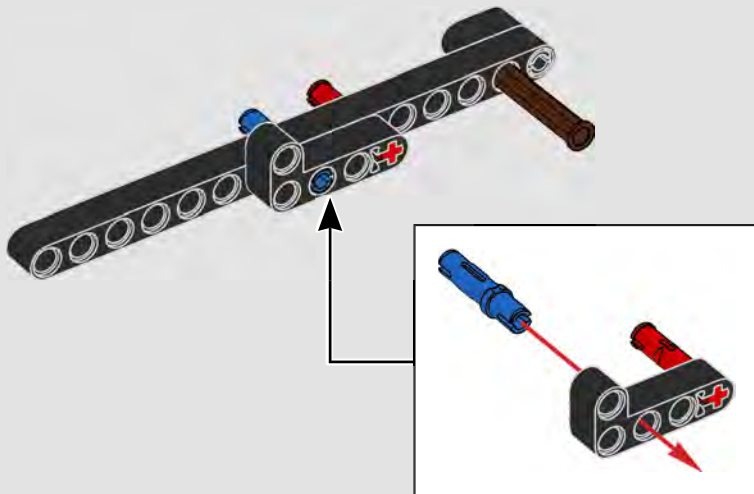


210

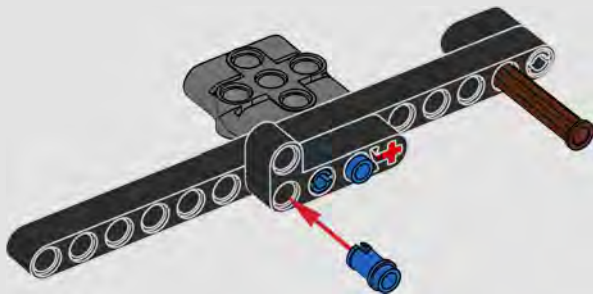




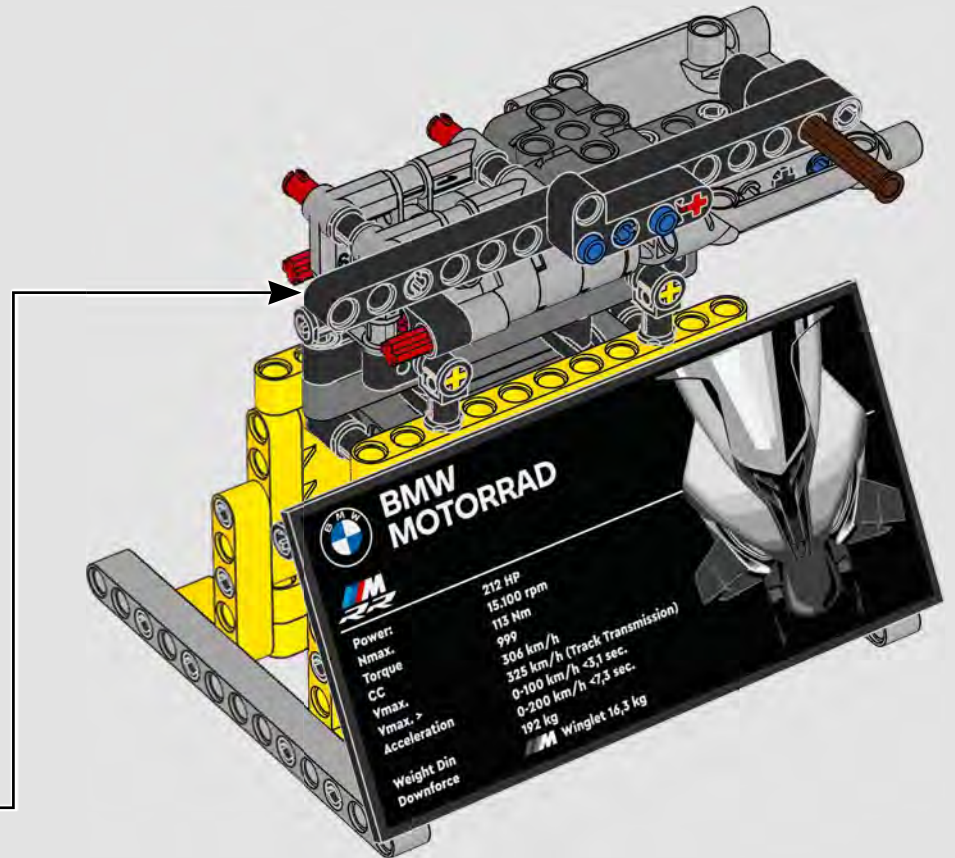
211

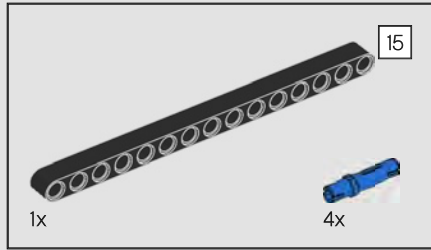
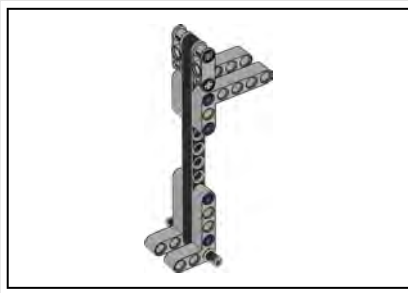


212

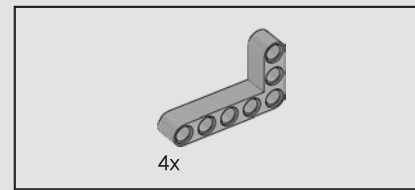


213

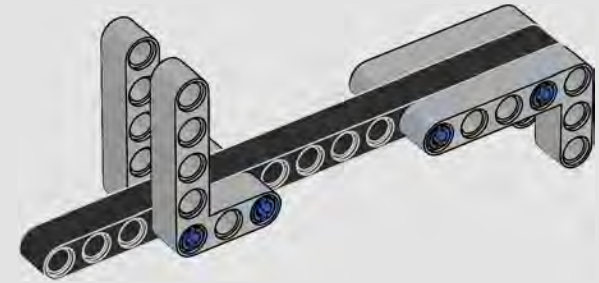




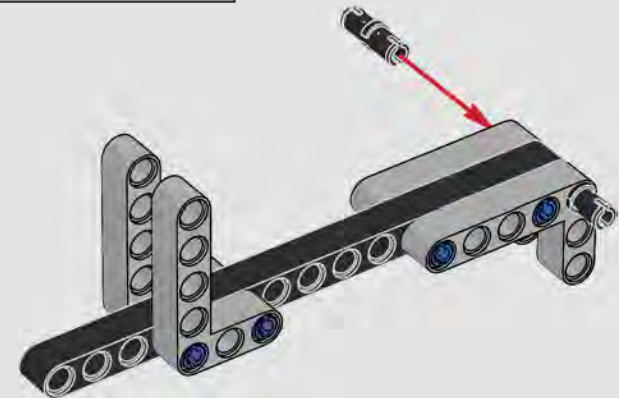
214

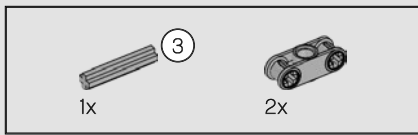


215

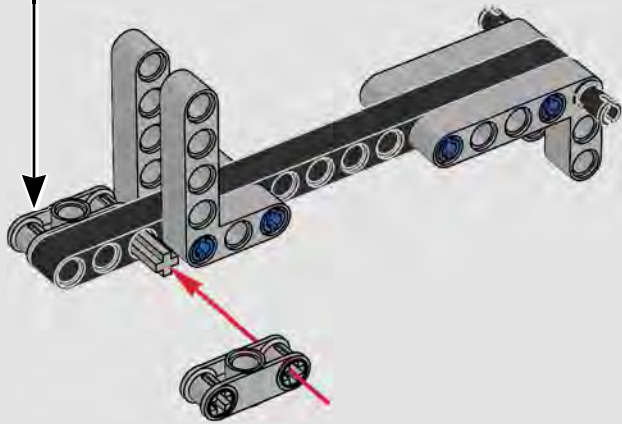
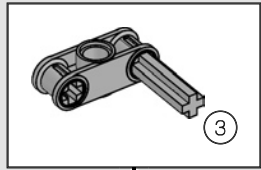


216

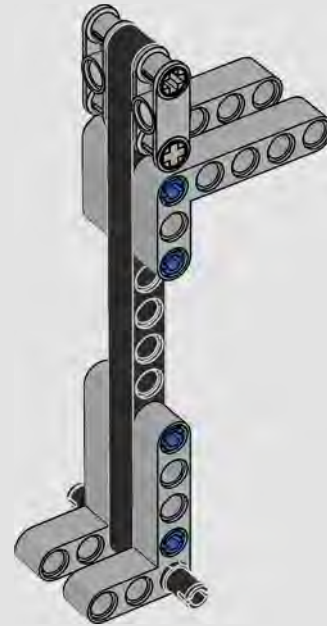
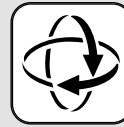




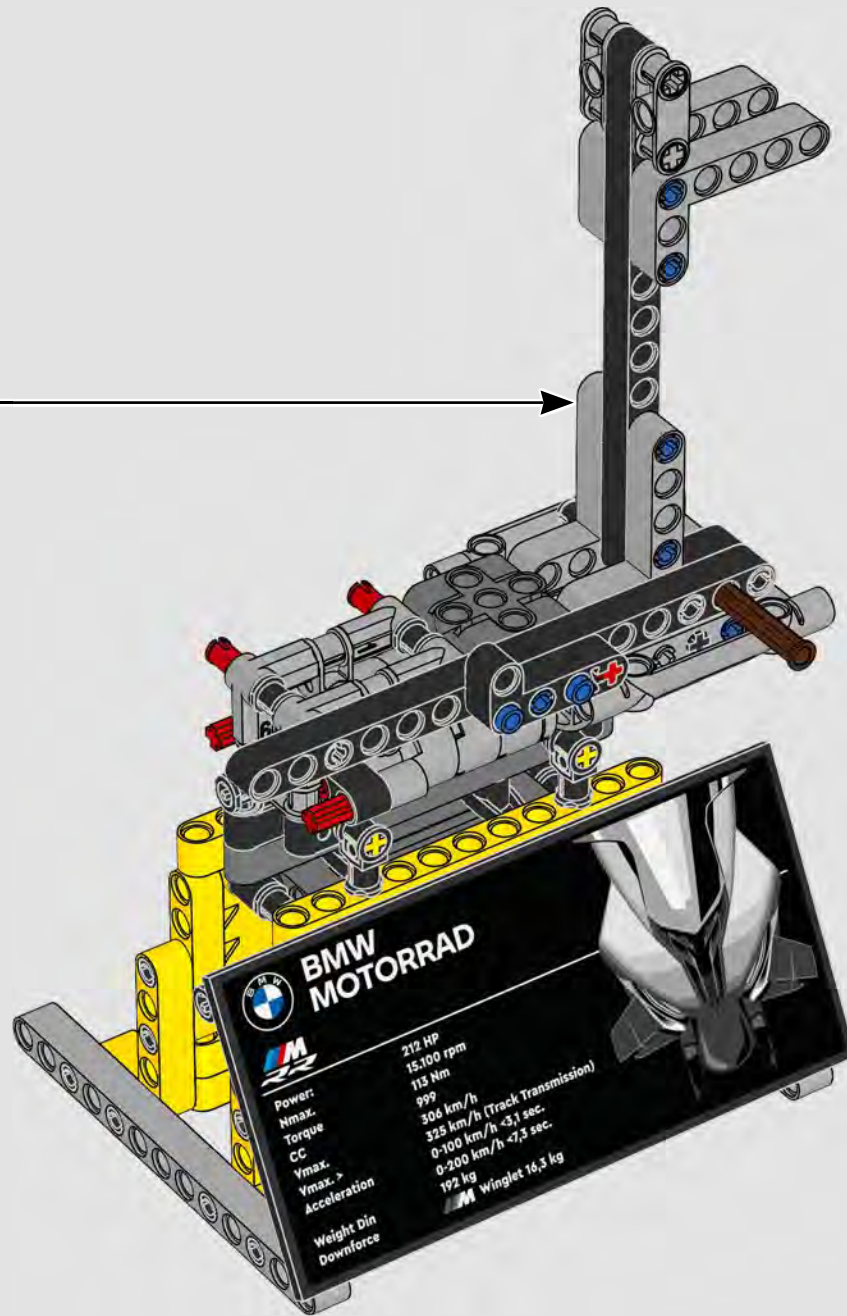
217

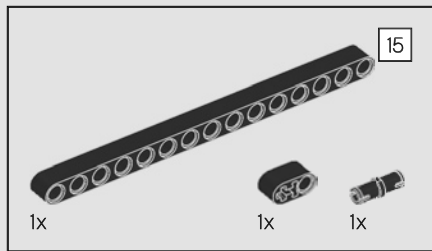


218

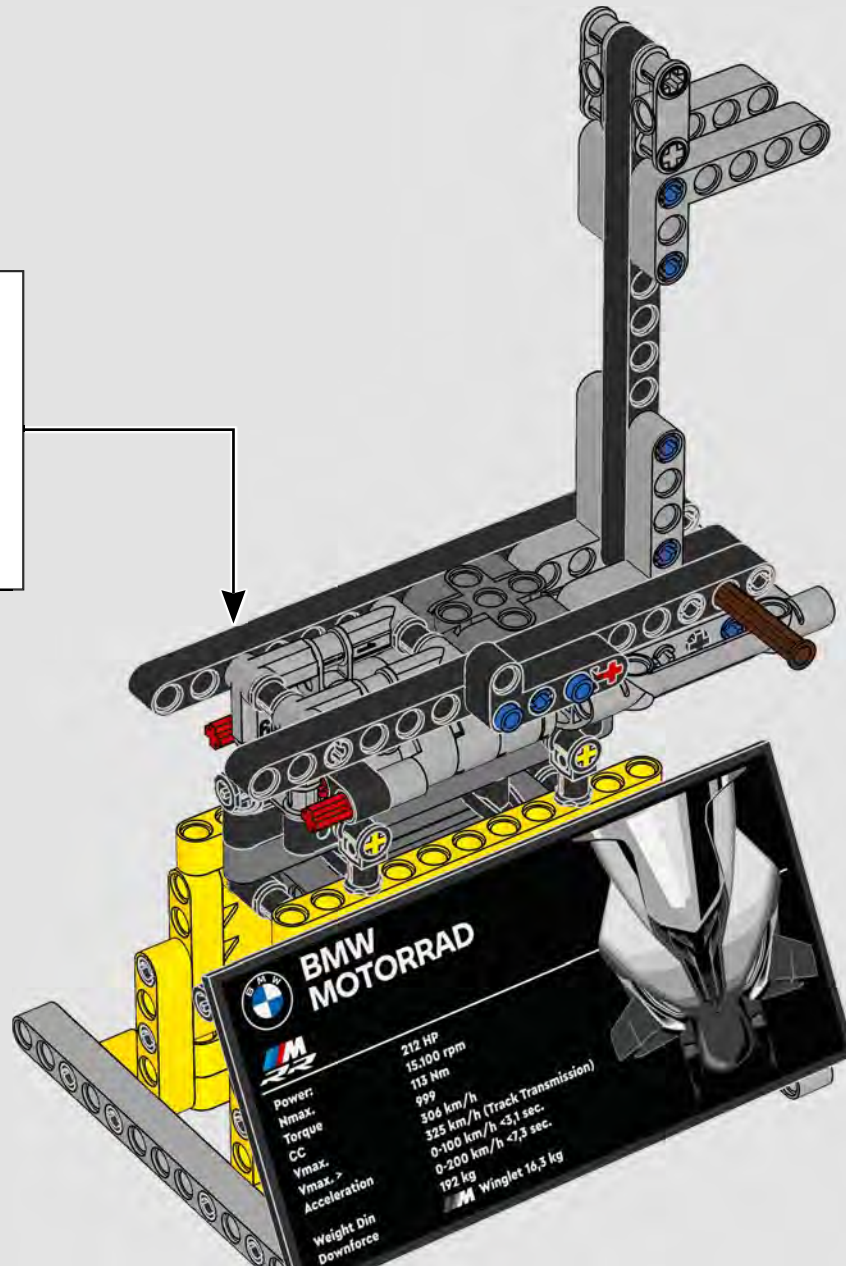
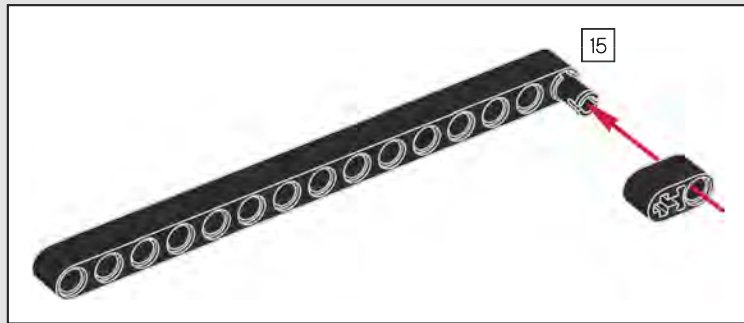


219

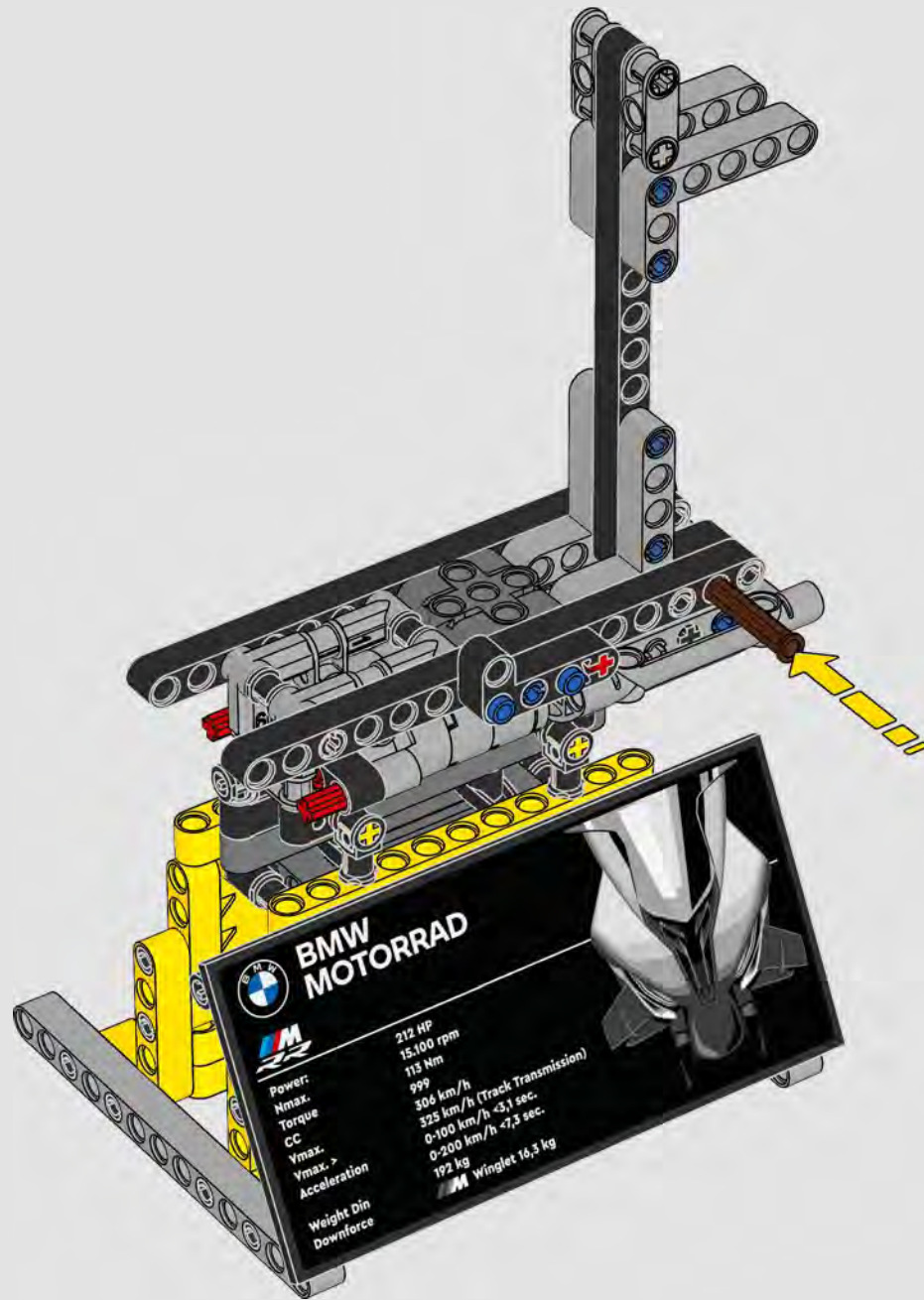


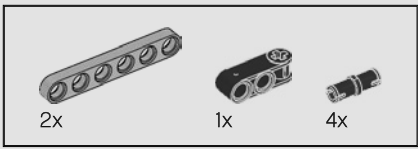


220

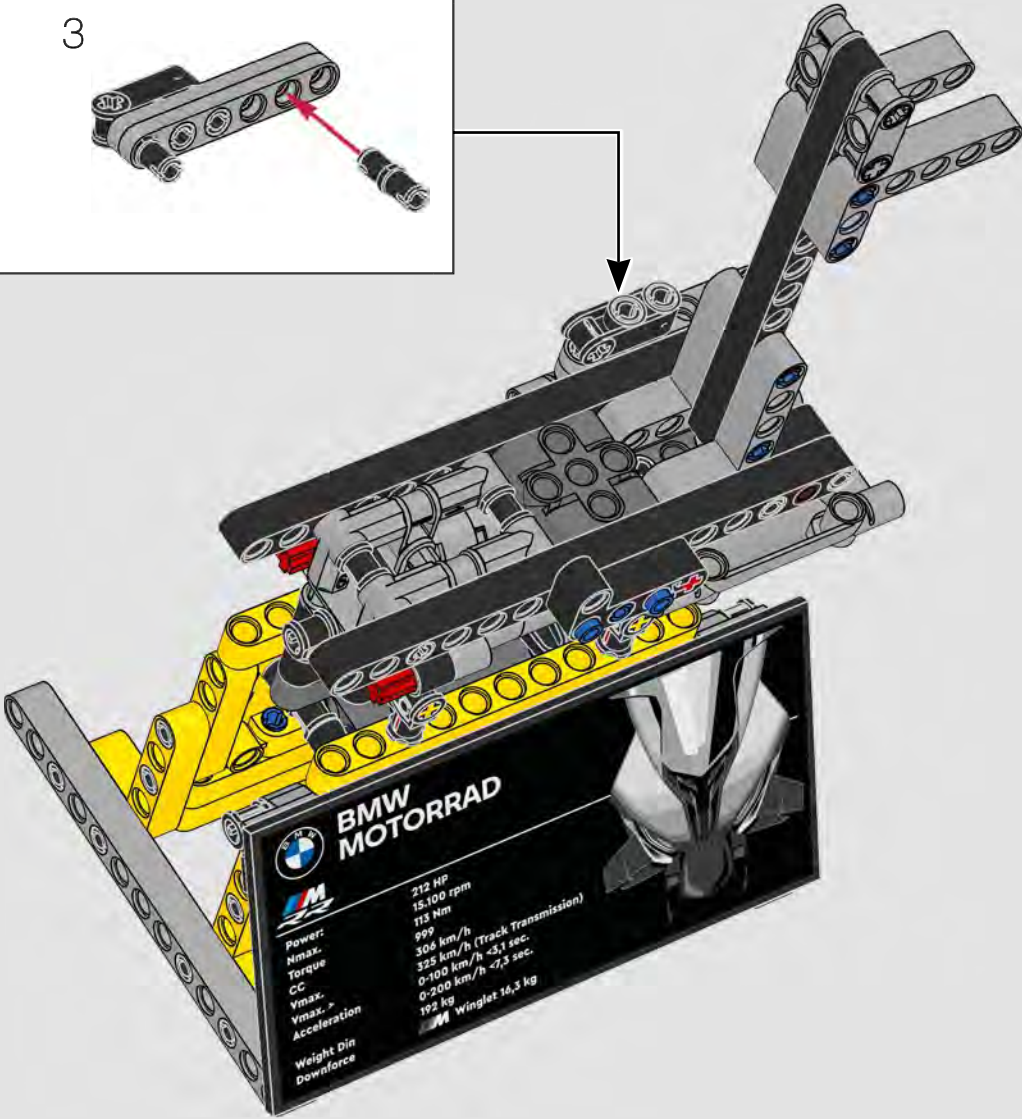
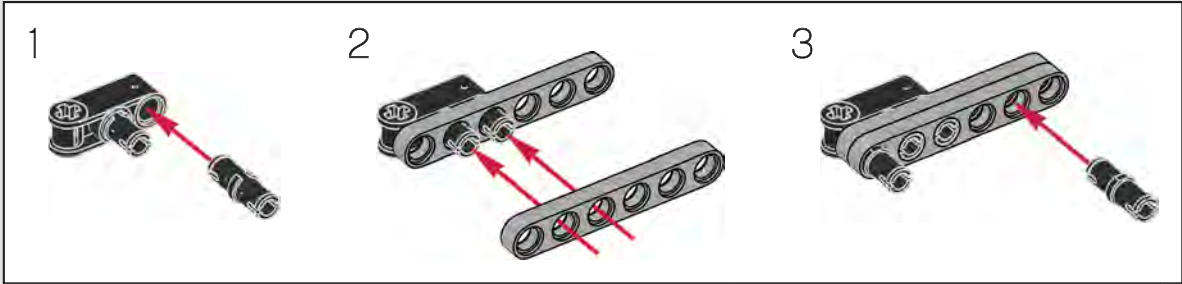


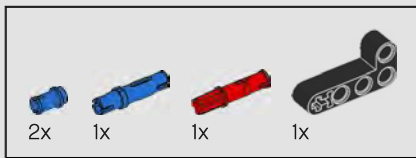
221



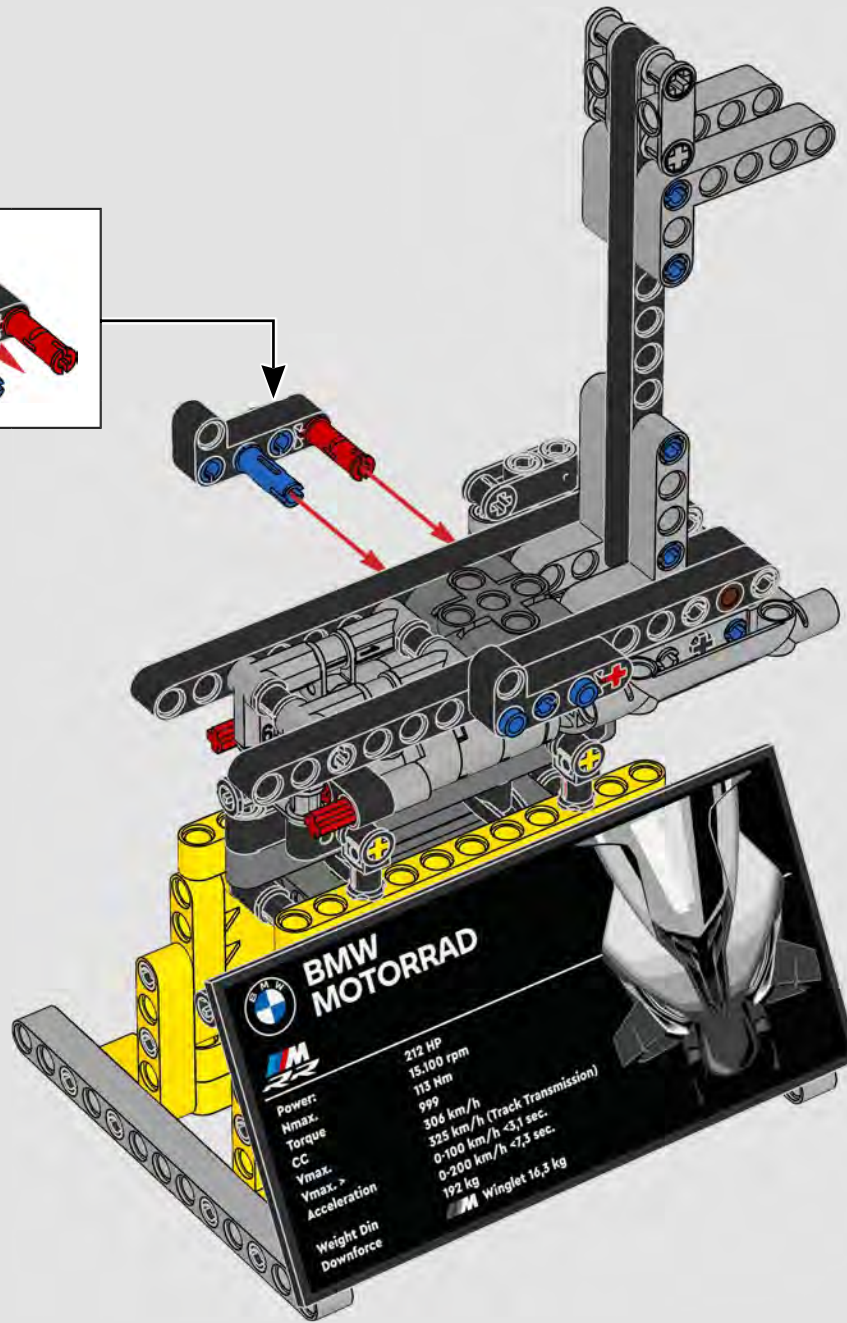
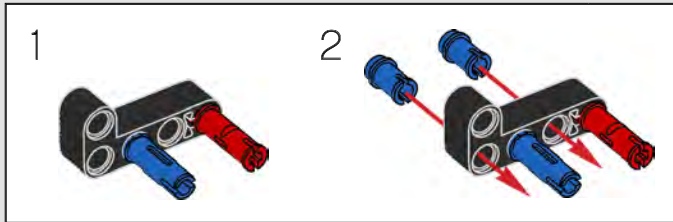


222



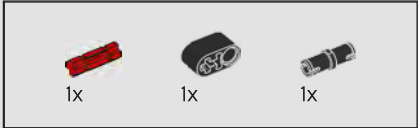
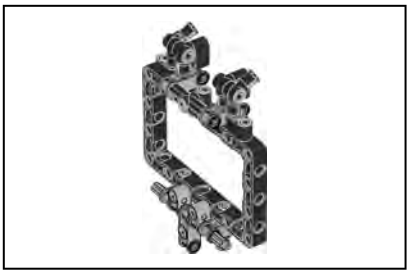


223

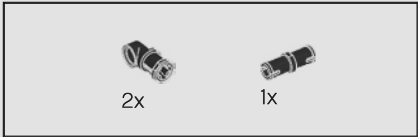


BMW MOTORRAD

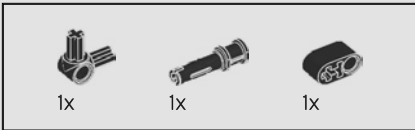
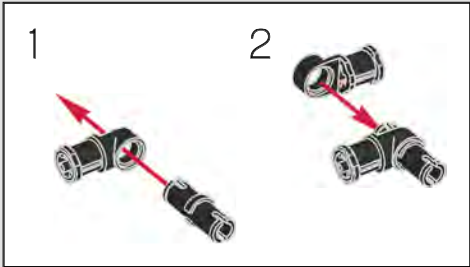
Power:	212 HP
Nmax:	15.100 rpm
Torque:	113 Nm
CC:	999
Vmax:	306 km/h (Track Transmission)
Vmax. > Acceleration:	325 km/h < 3,1 sec.
	0-100 km/h < 7,3 sec.
Weight Din	192 kg
Downforce	Winglet 16,3 kg



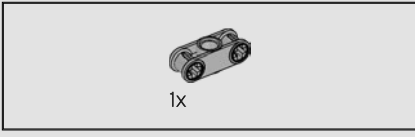
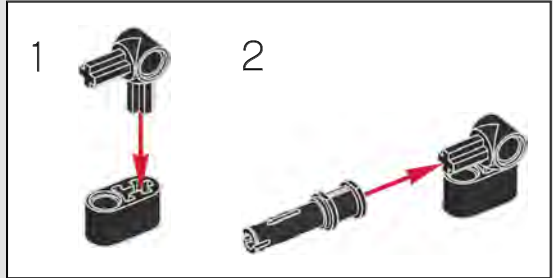
224



225

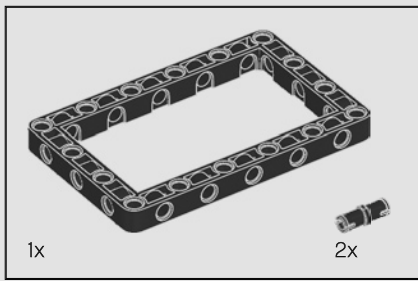


226

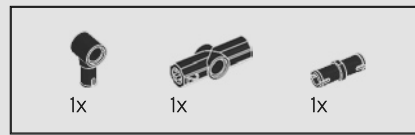
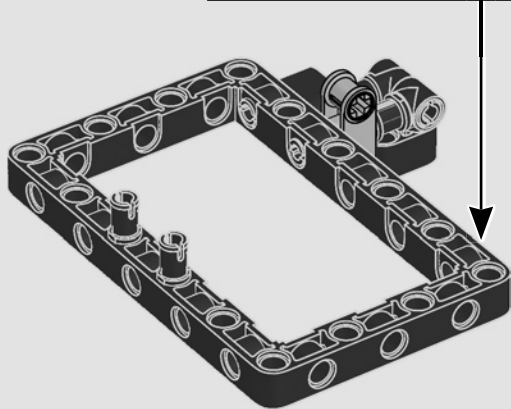
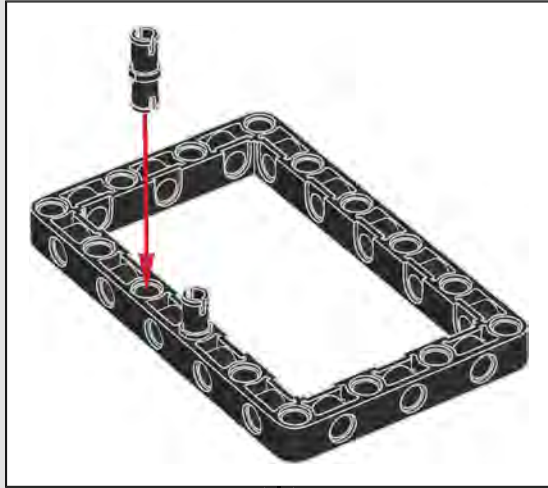


227

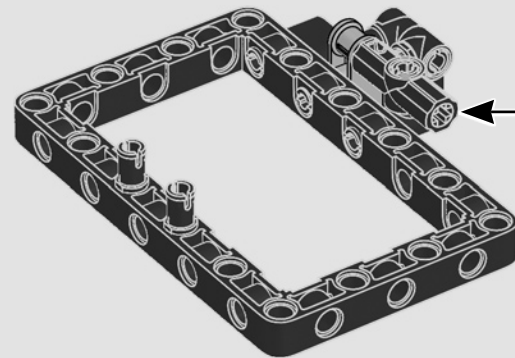




228

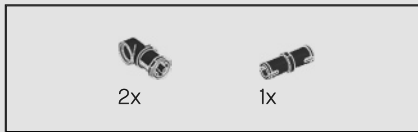


229

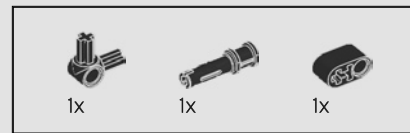




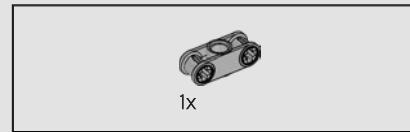
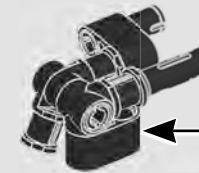
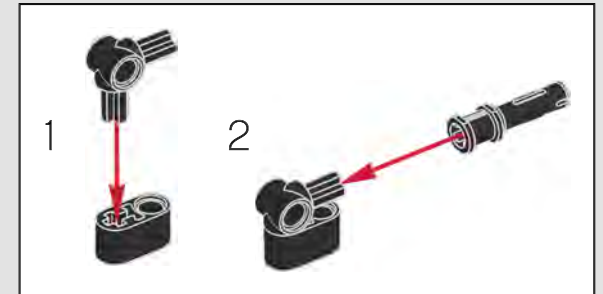
230



231



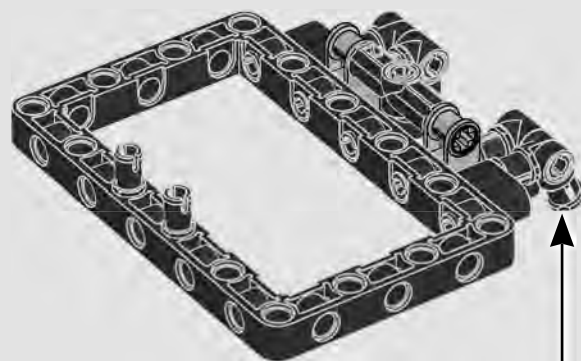
232

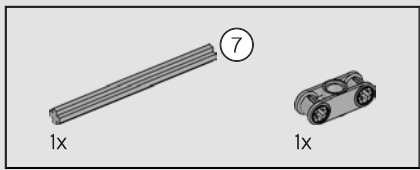


233

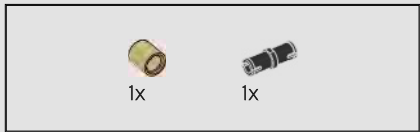
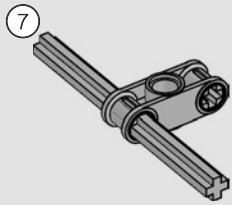


234

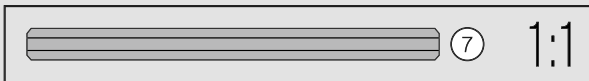
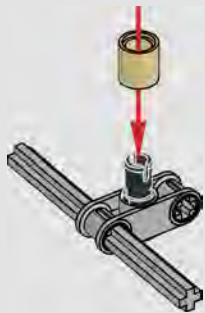




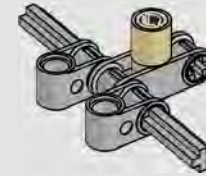
235



236



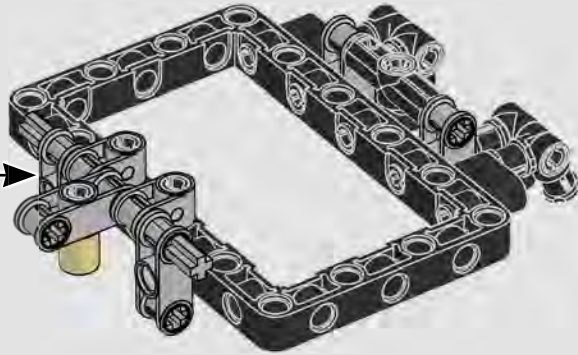
237



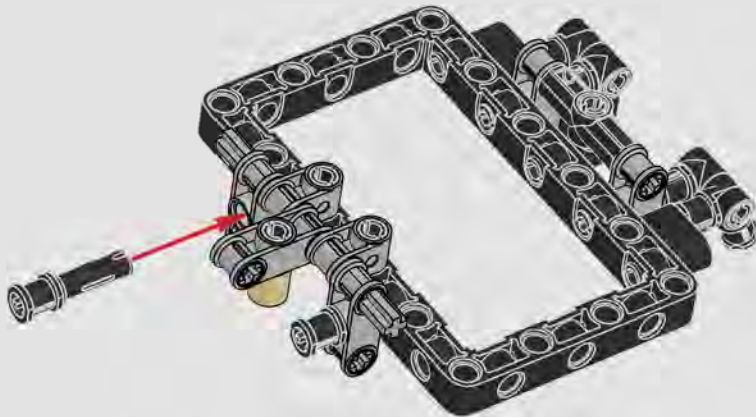
238



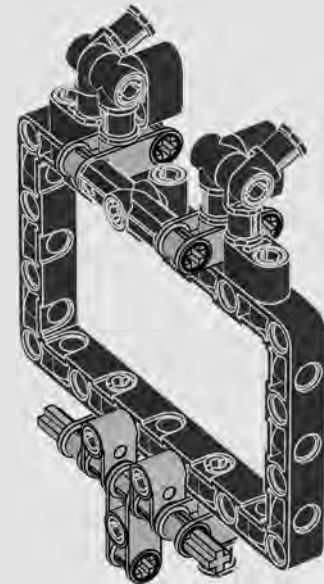
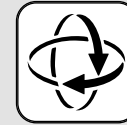
239

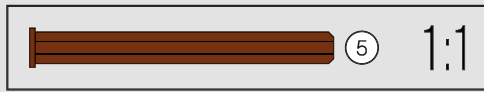
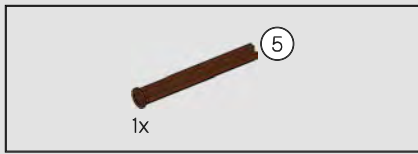


240

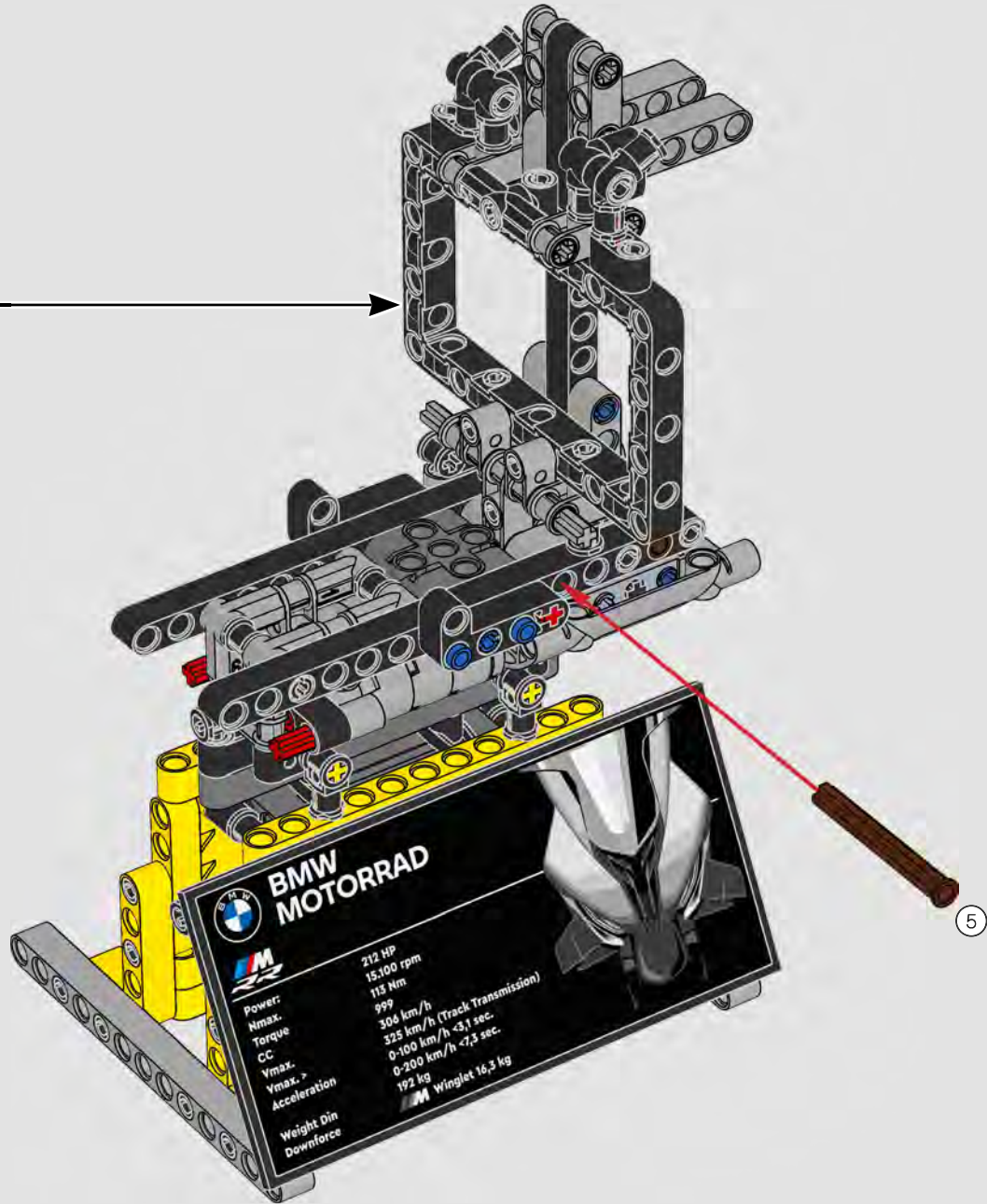


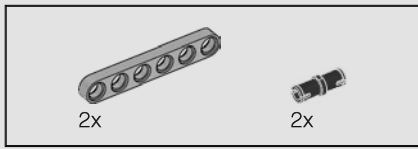
241



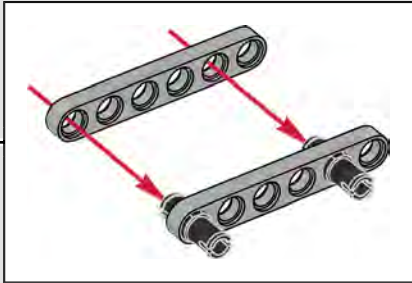
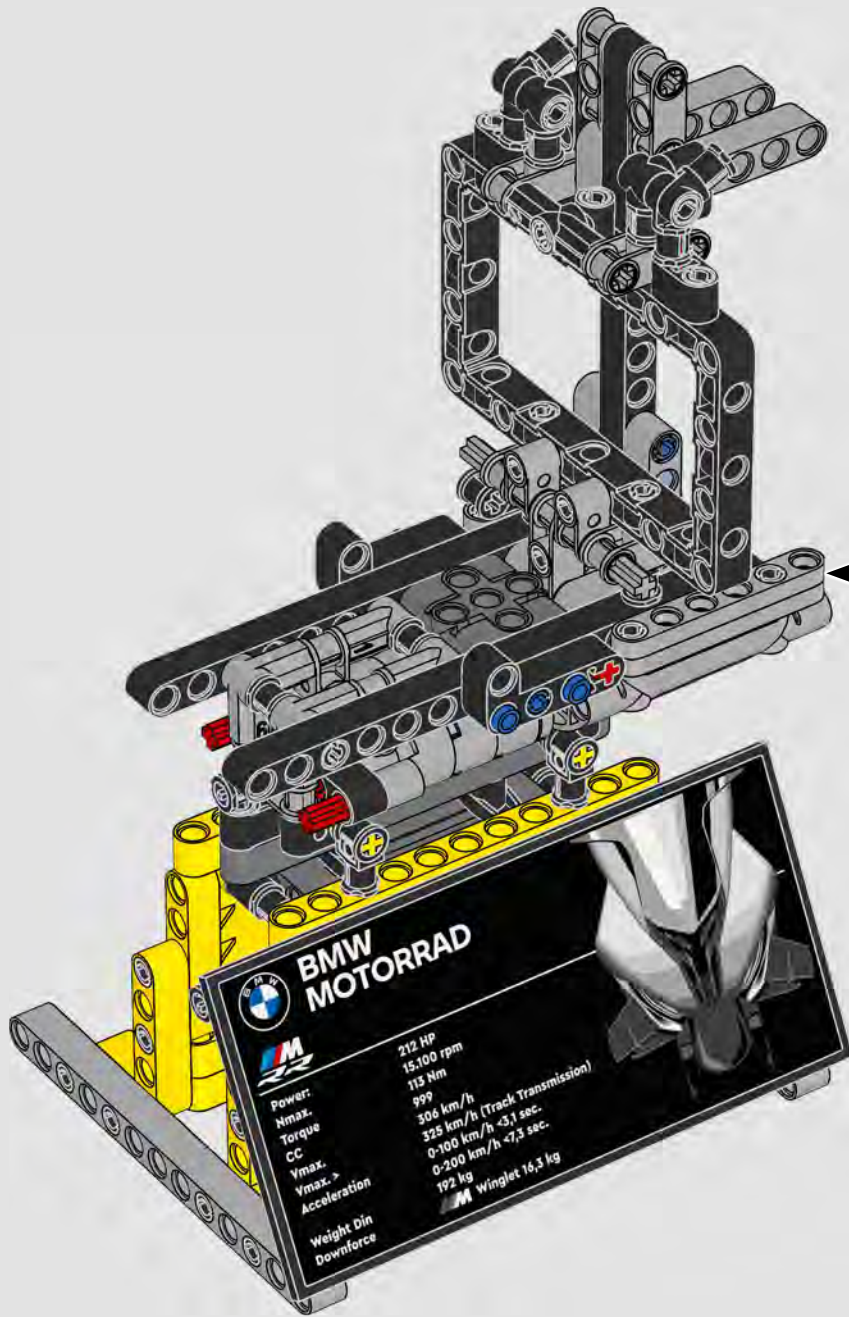


242



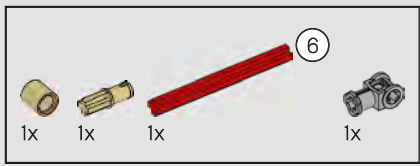


243

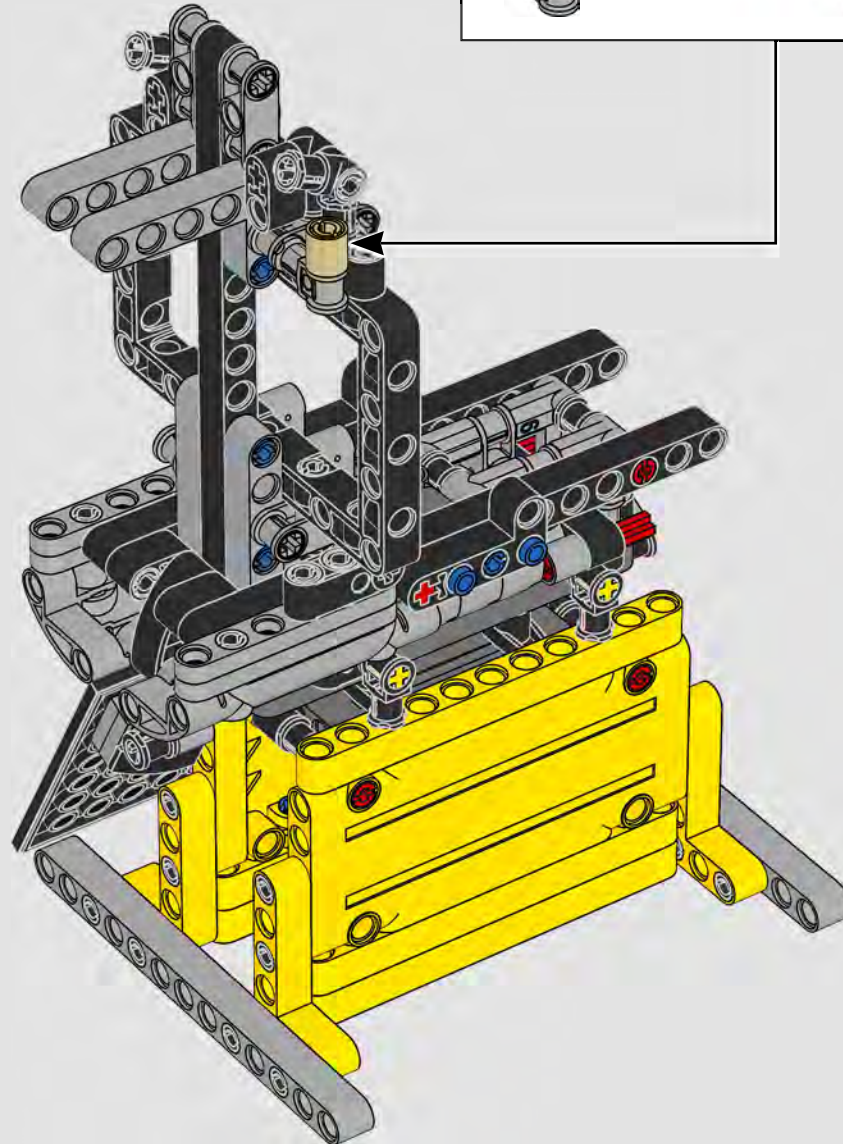
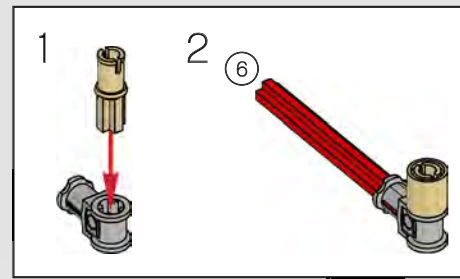
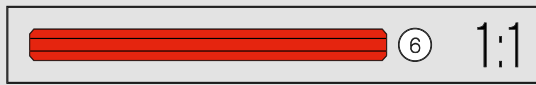


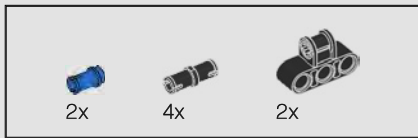
BMW MOTORRAD

Power: 212 HP
 Nmax: 15,100 rpm
 Torque: 115 Nm
 CC: 999
 Vmax: 306 km/h
 Vmax. > 325 km/h (Track Transmission)
 Acceleration: 0-100 km/h < 3,1 sec.
 0-200 km/h < 7,3 sec.
 Weight Din: 192 kg
 Downforce: Winglet 16,3 kg

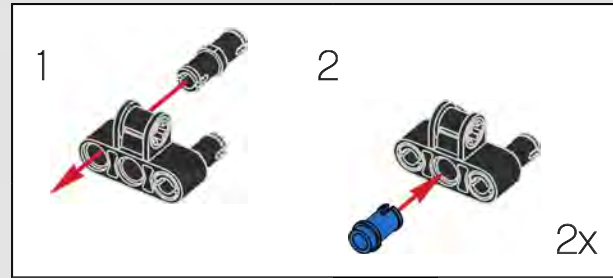
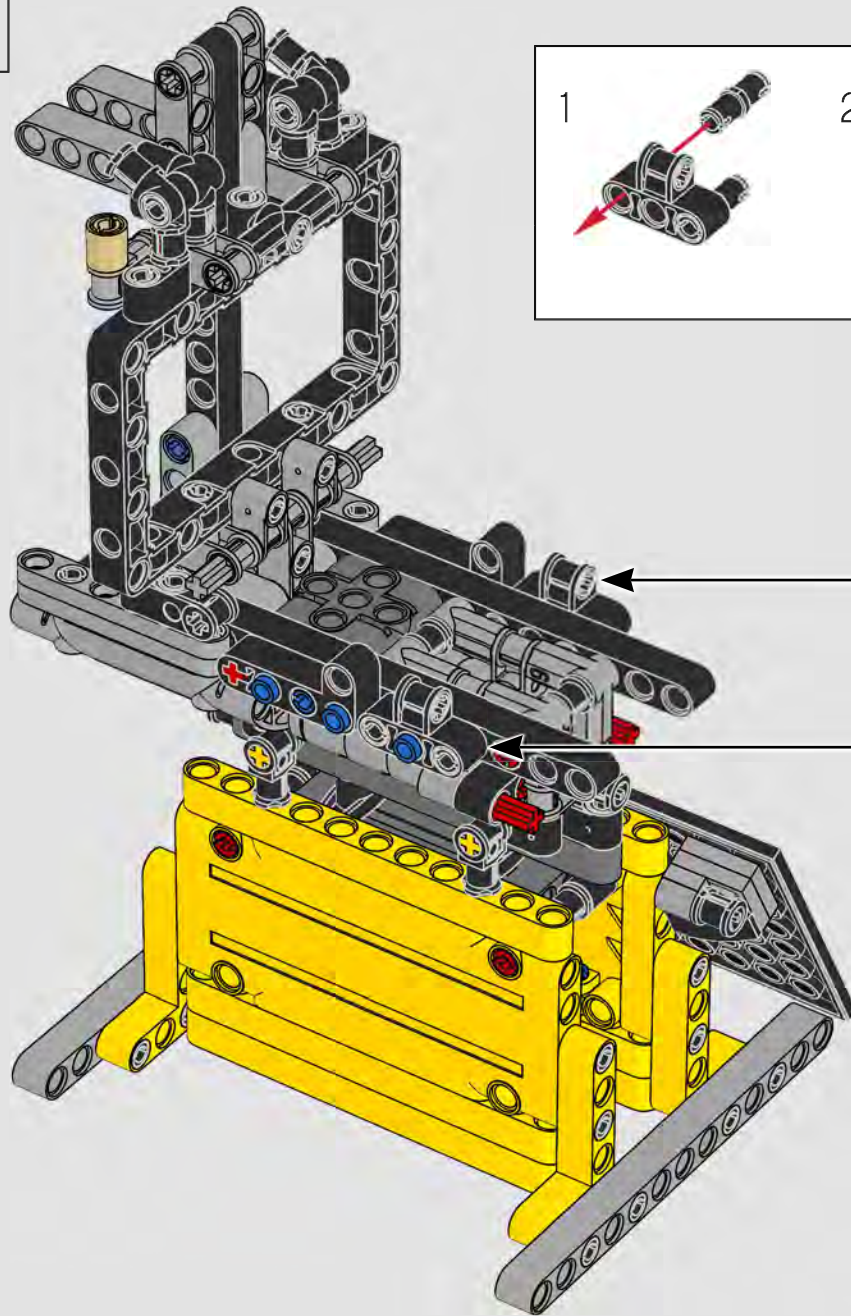


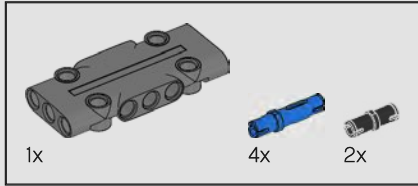
244



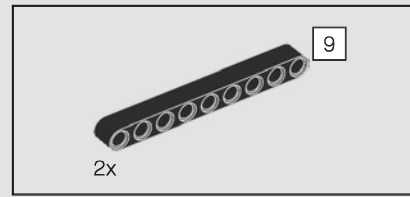
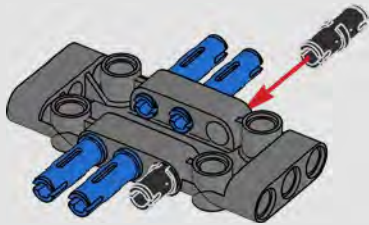


245

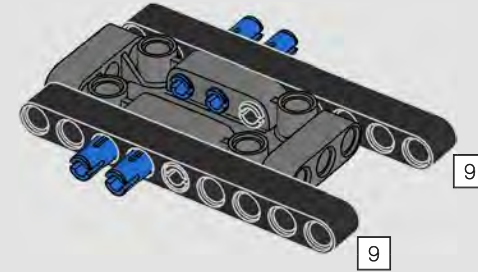




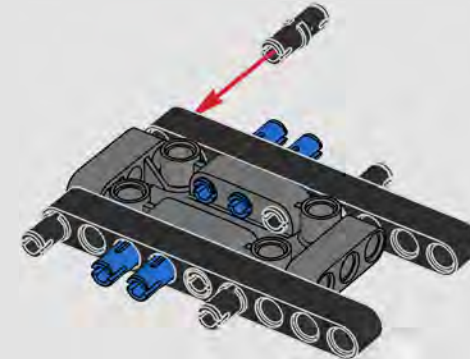
246

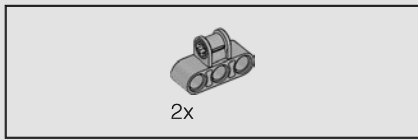


247

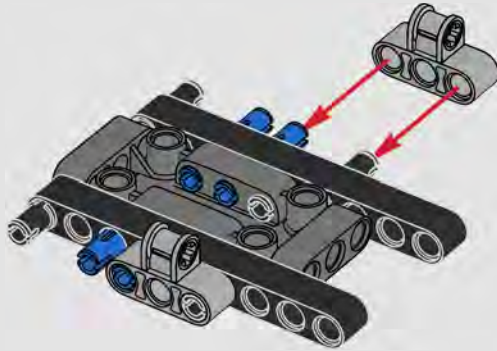


248

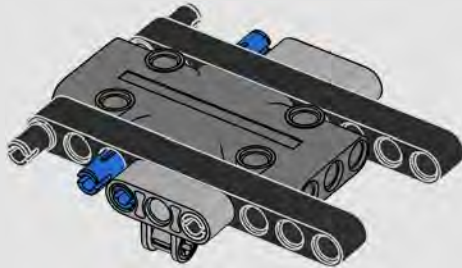




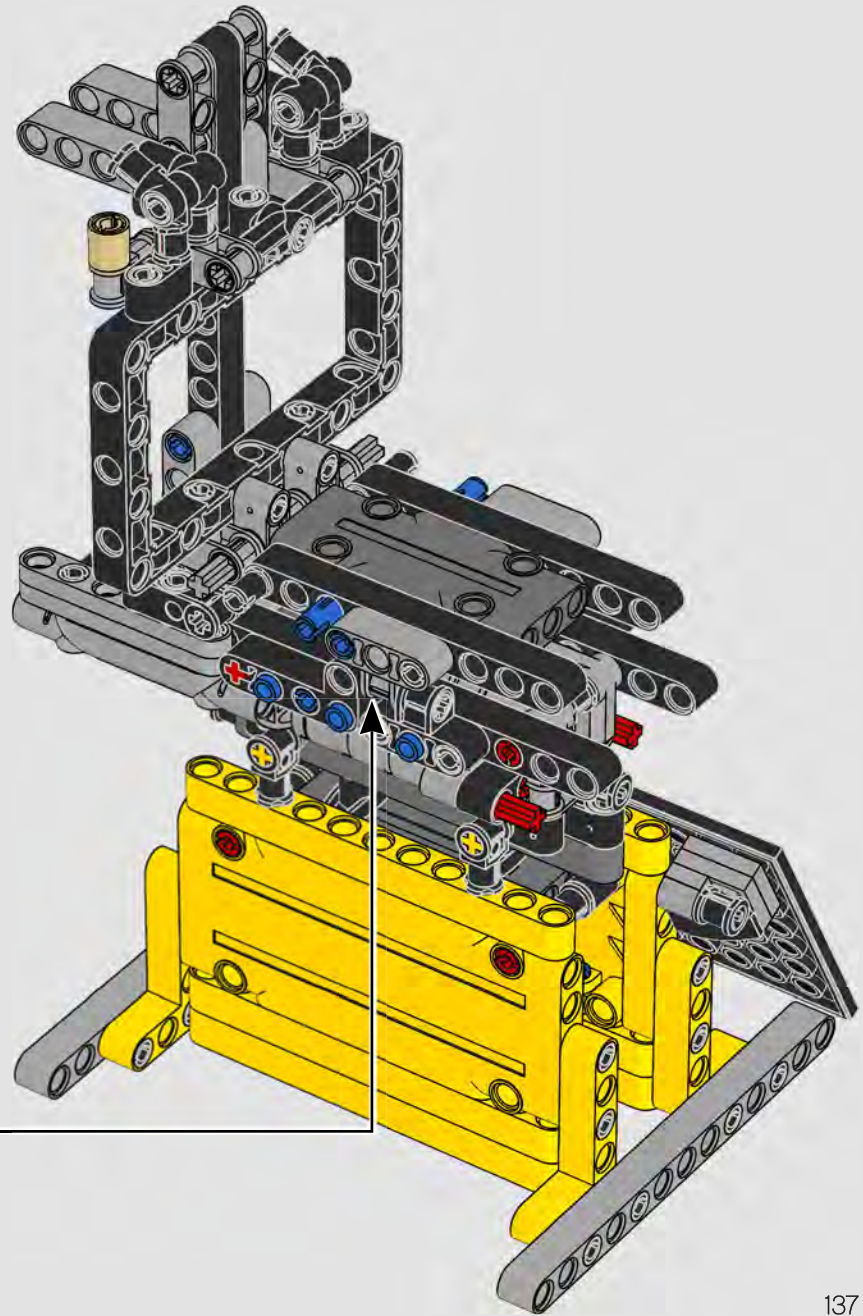
249

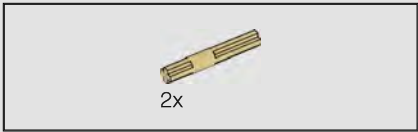


250

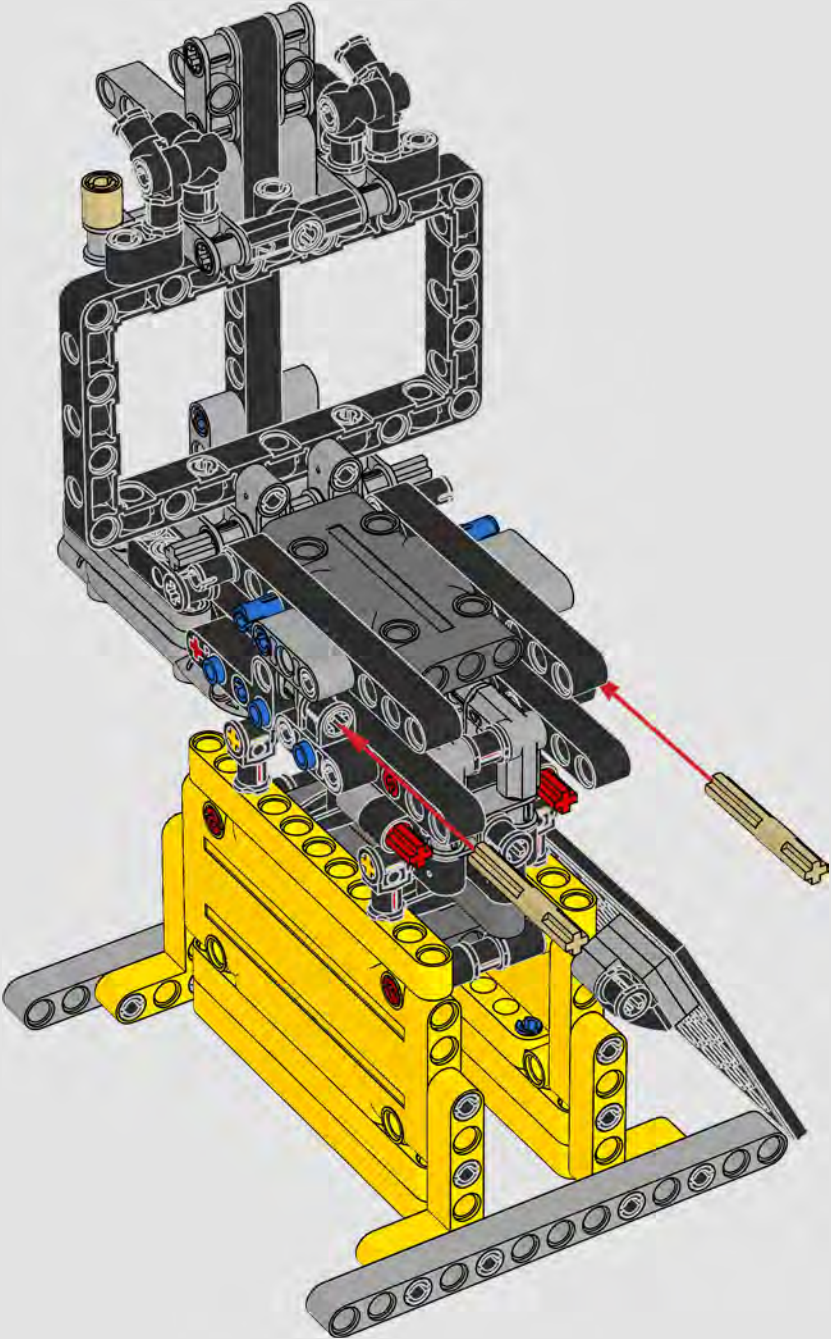


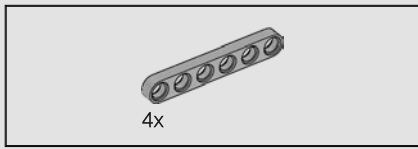
251



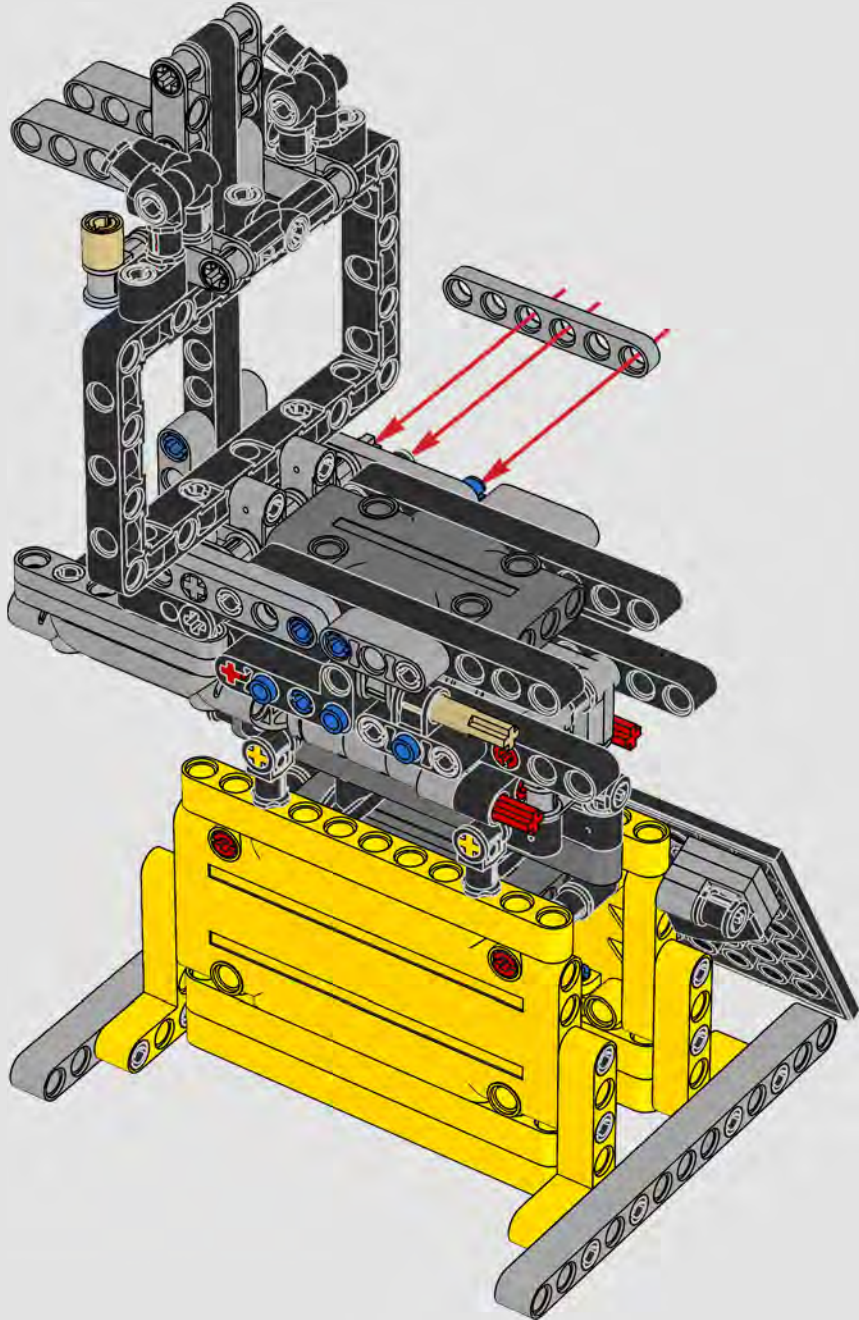


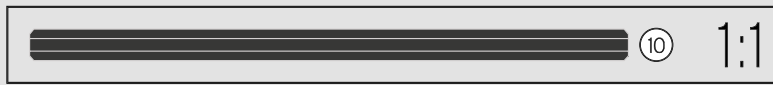
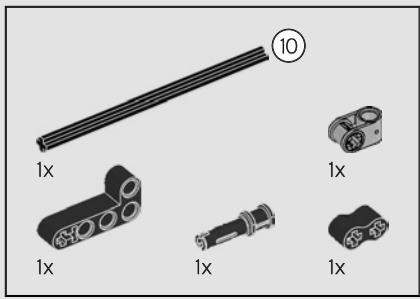
252





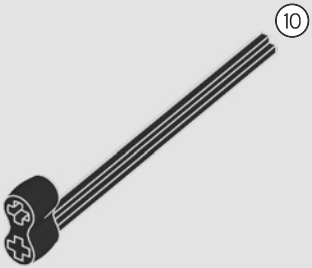
253



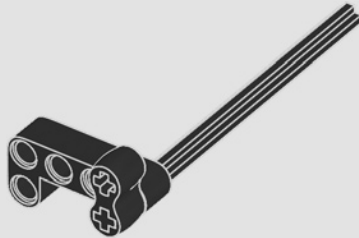


254

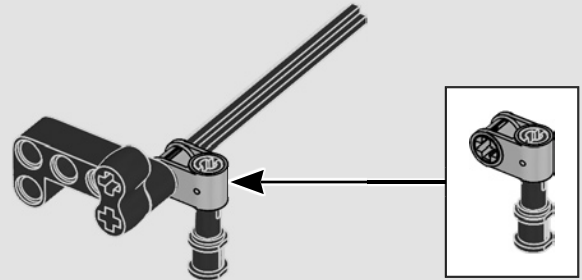
1

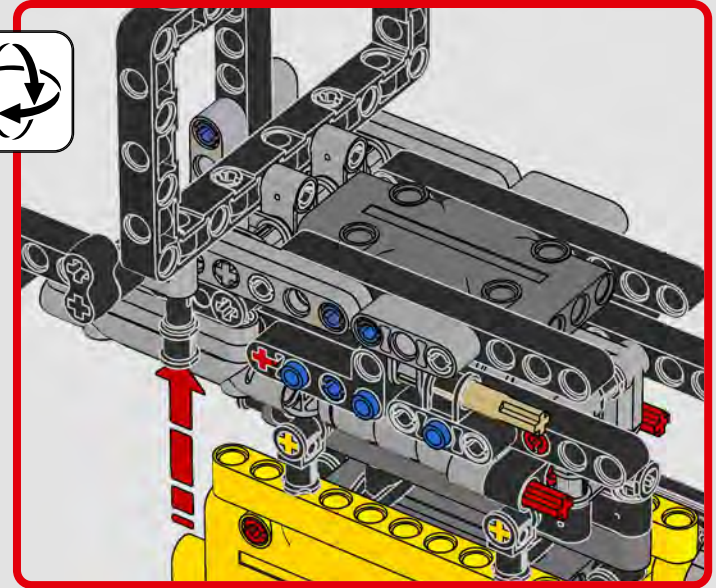
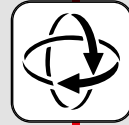
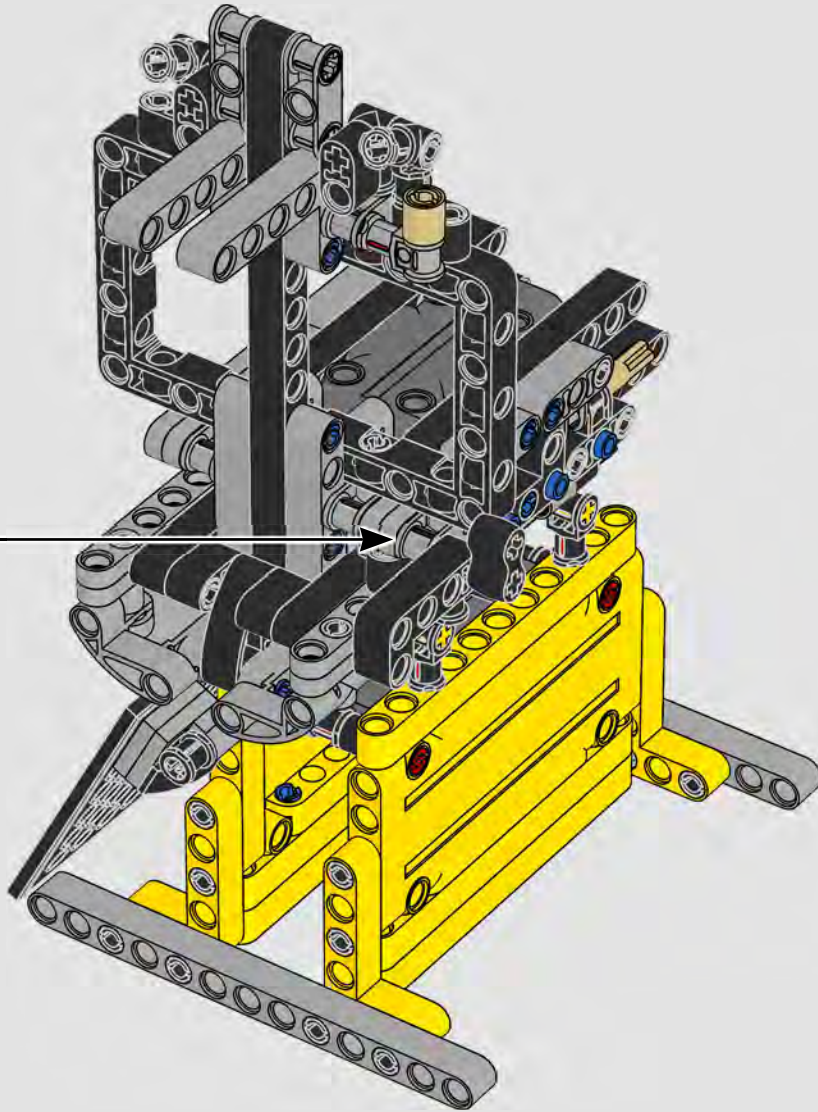


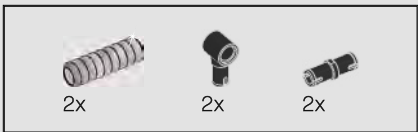
2



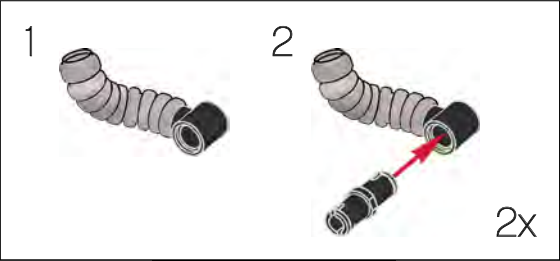
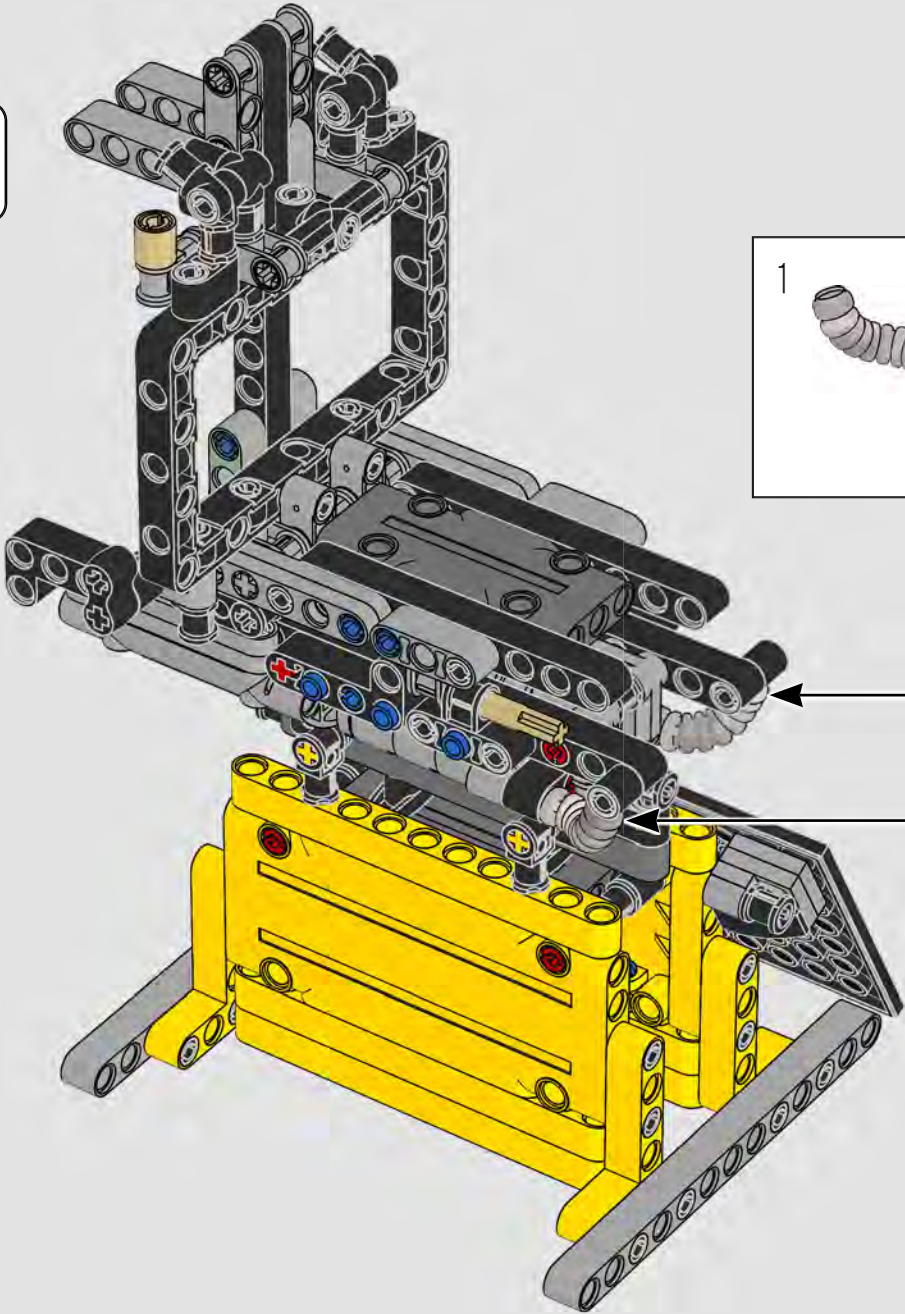
3

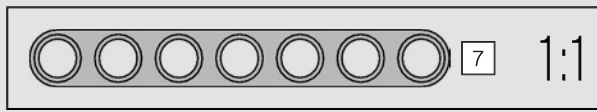
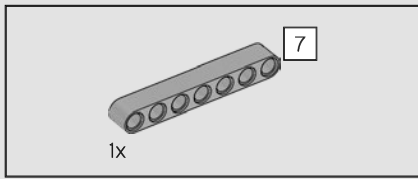




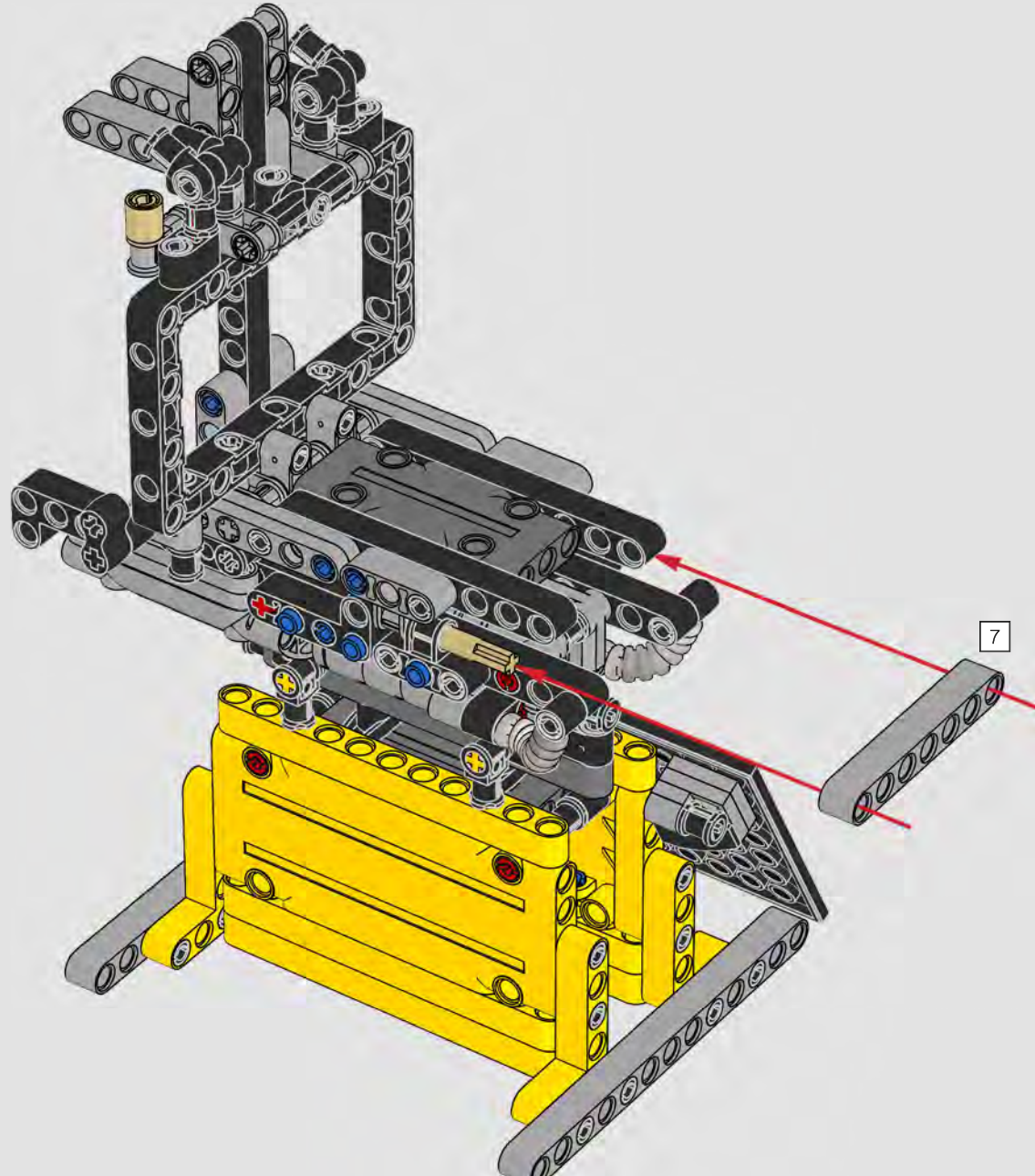


255



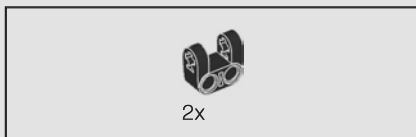
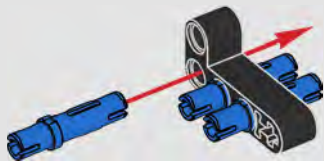


256

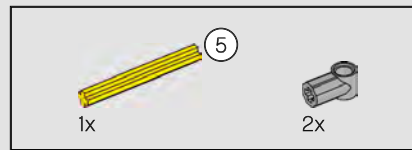
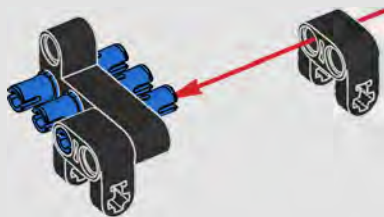




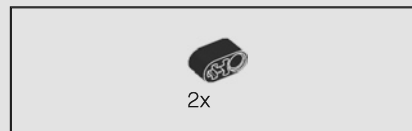
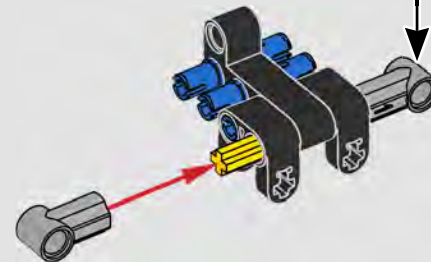
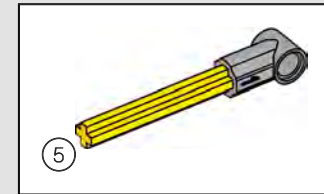
257



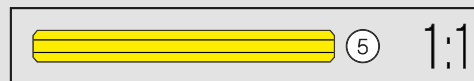
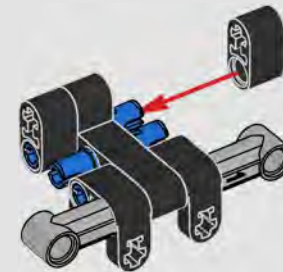
258



259

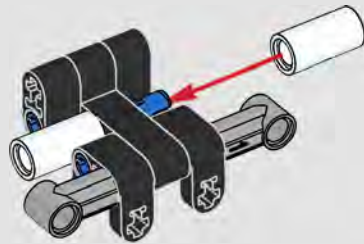


260

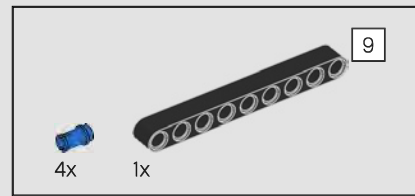
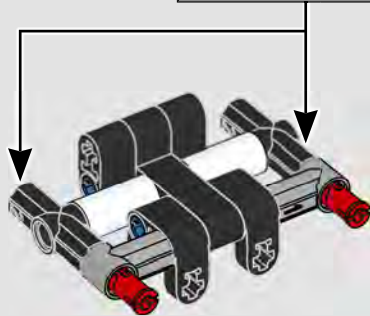




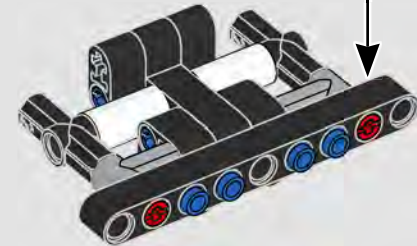
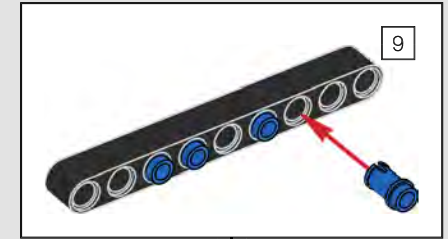
261



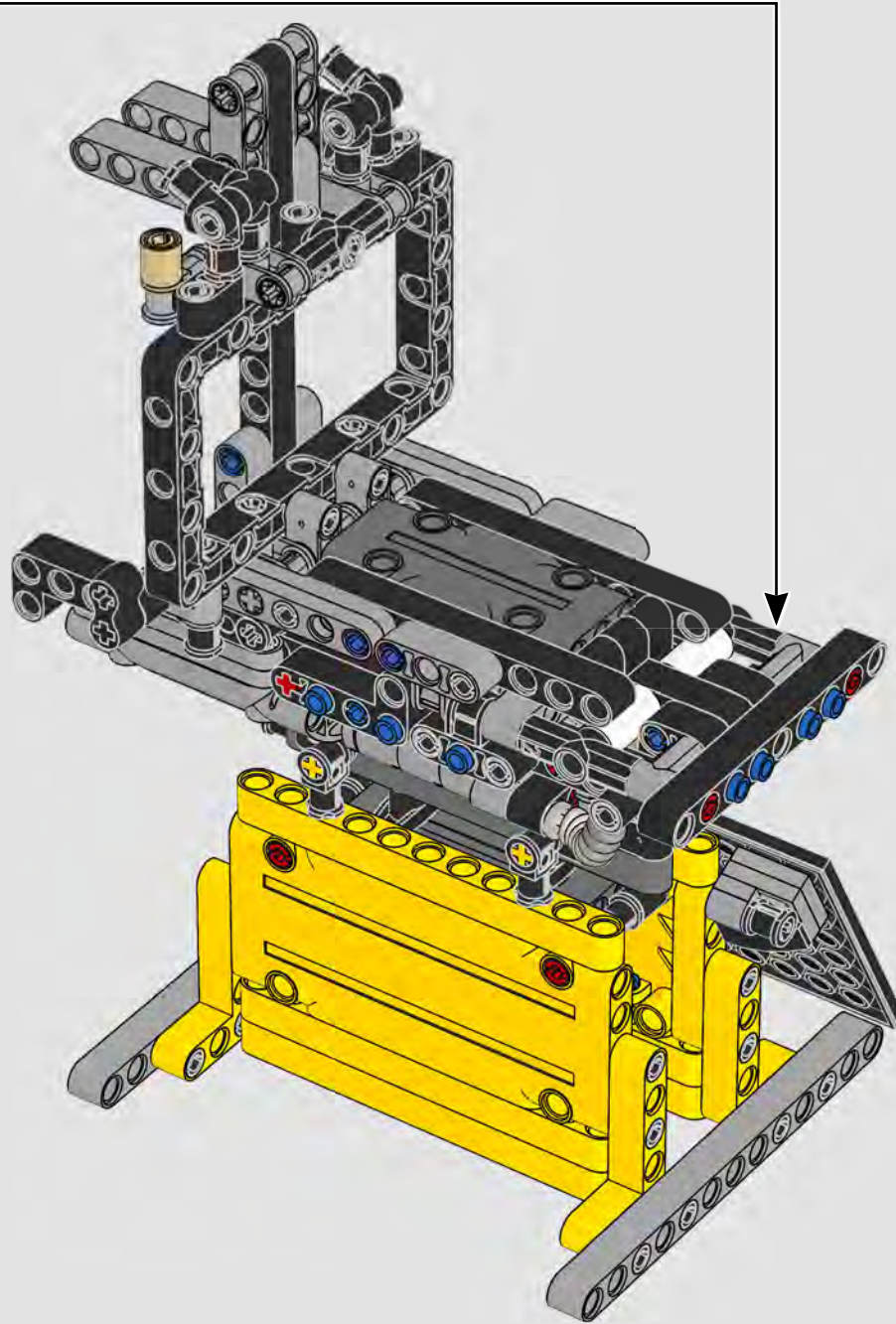
262

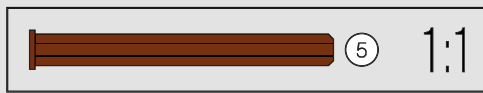
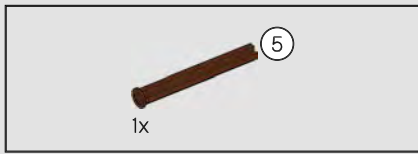


263

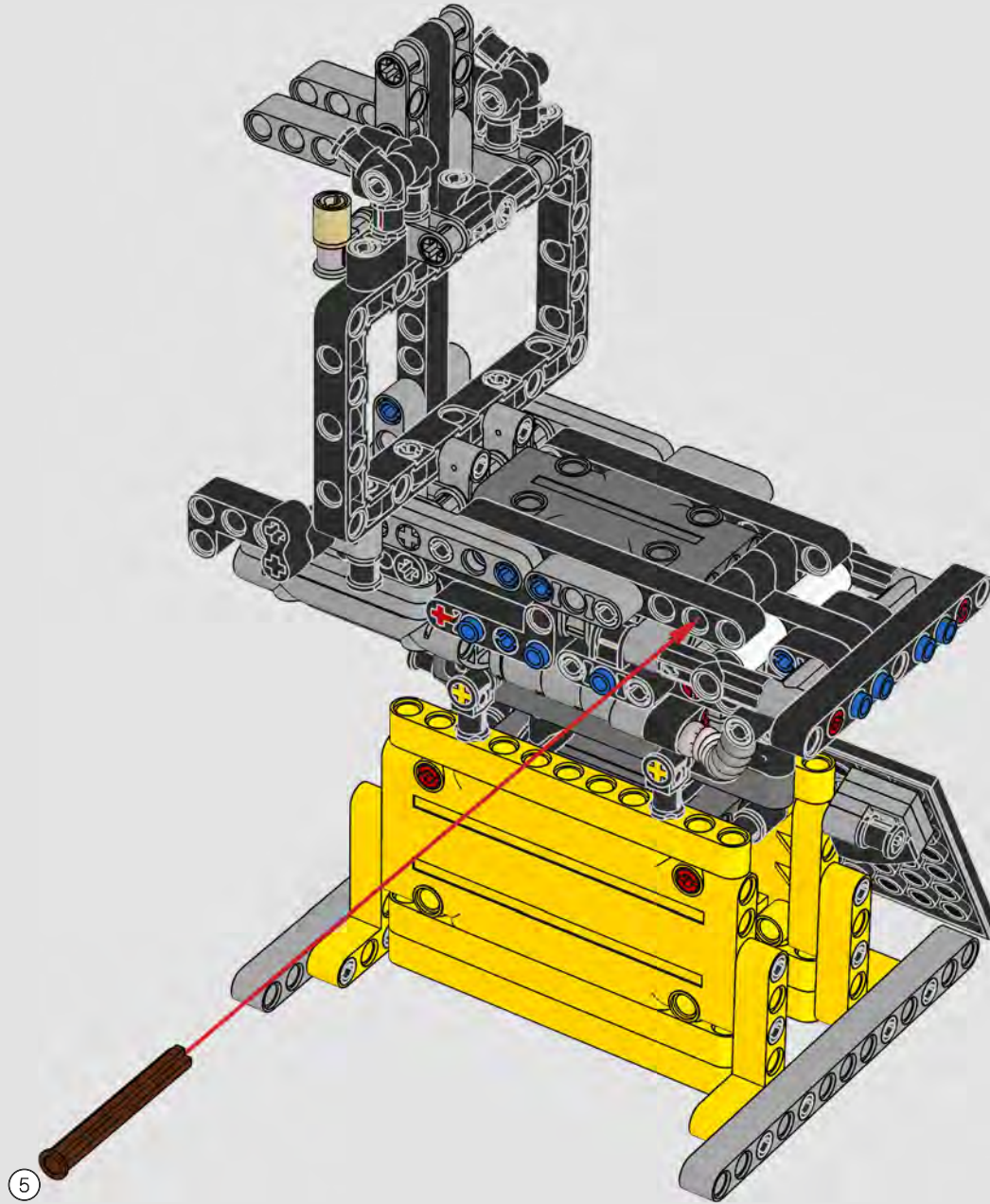


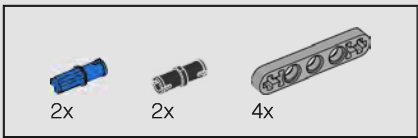
264



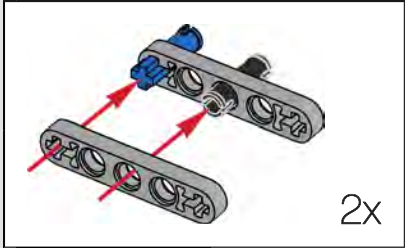
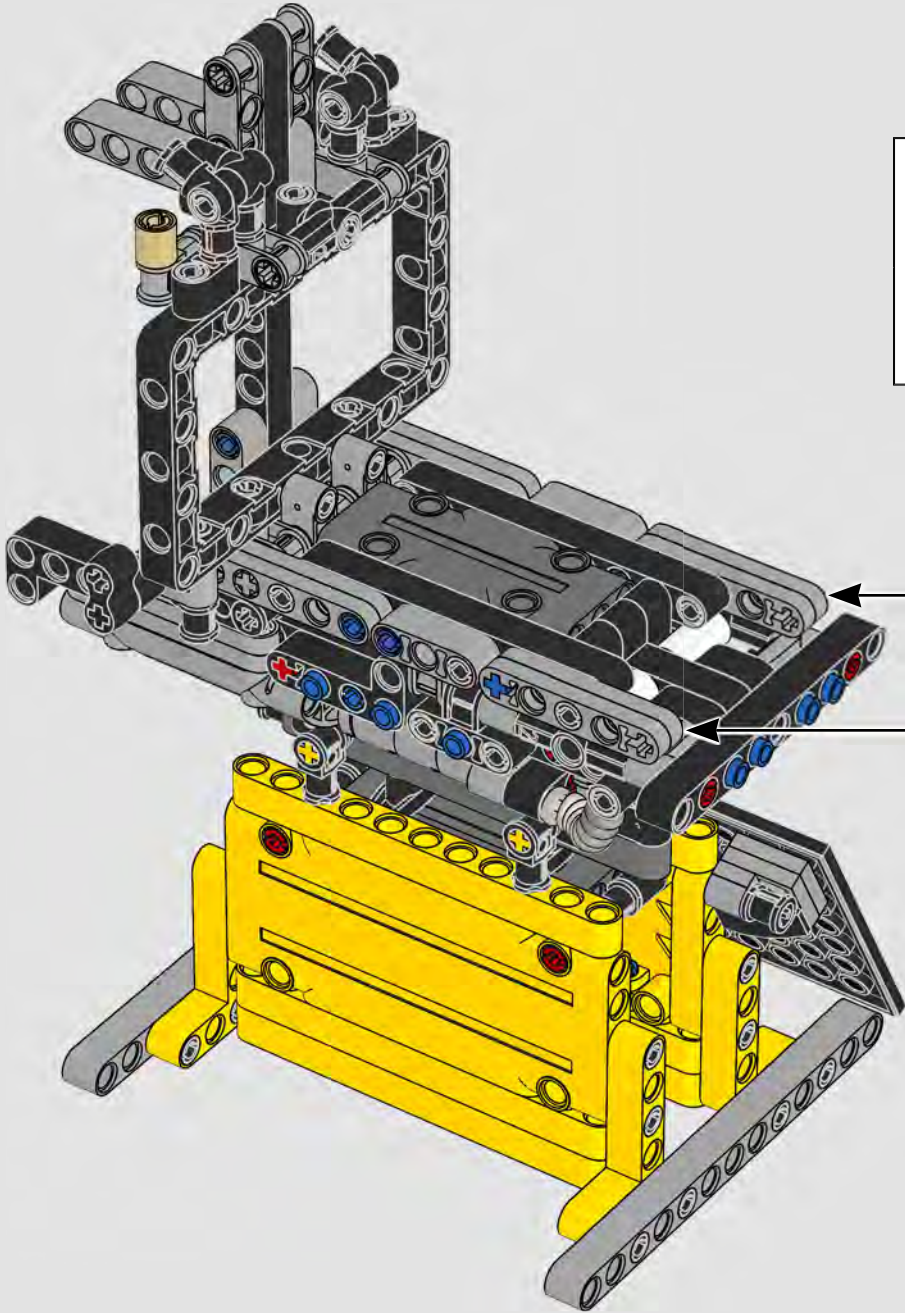


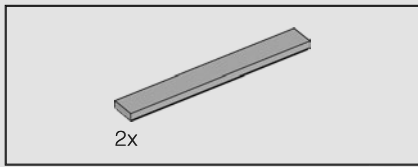
265



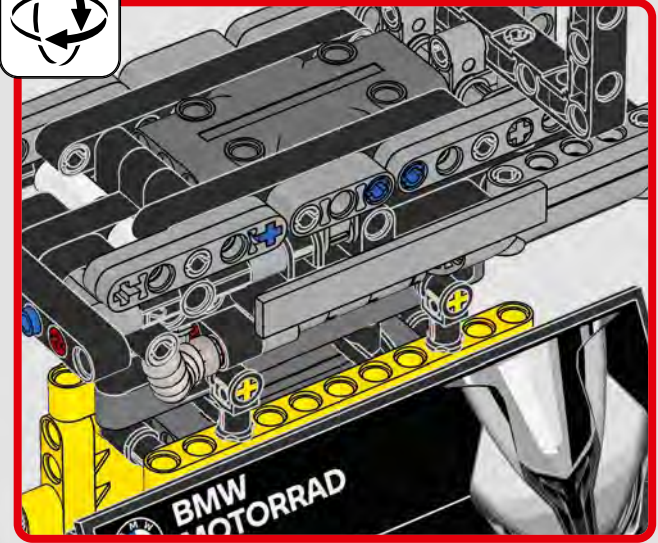
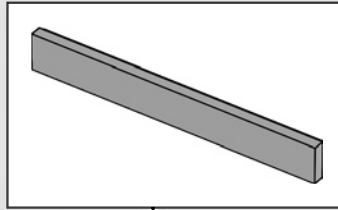
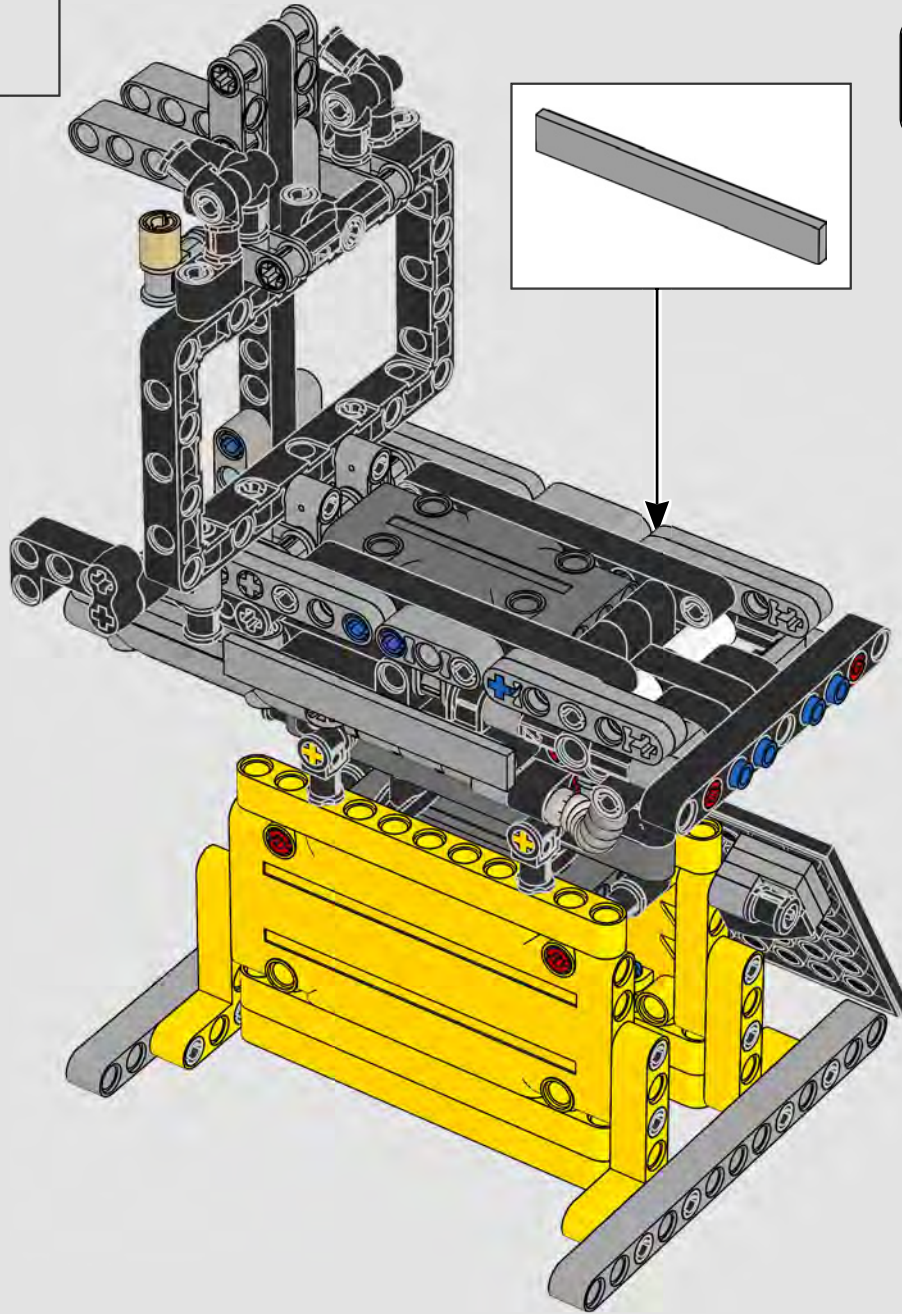


266

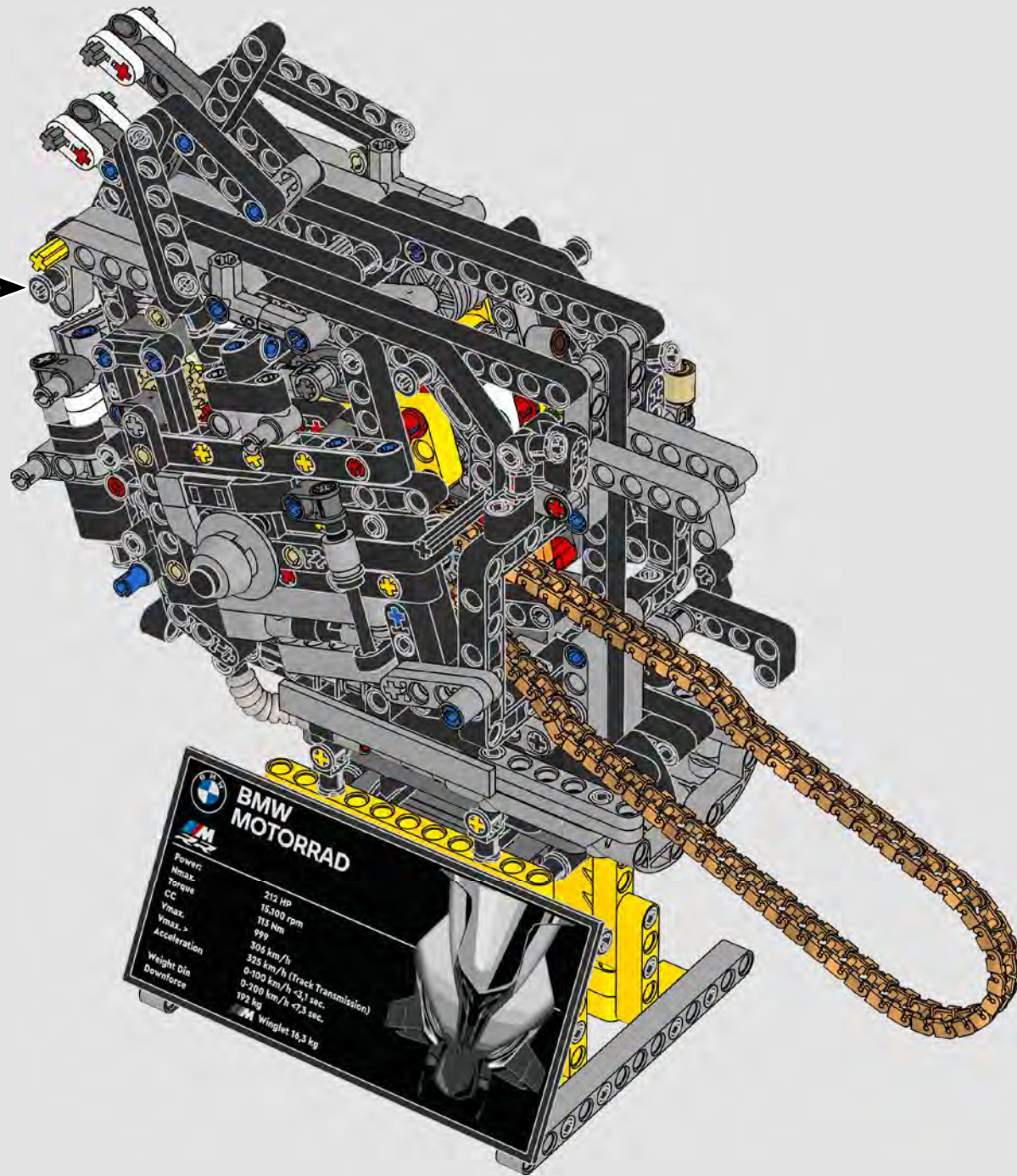




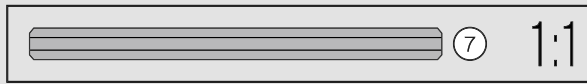
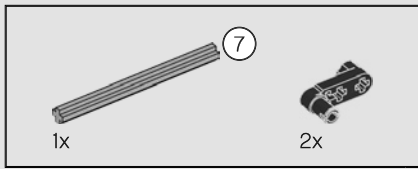
267



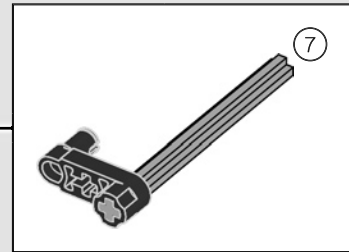
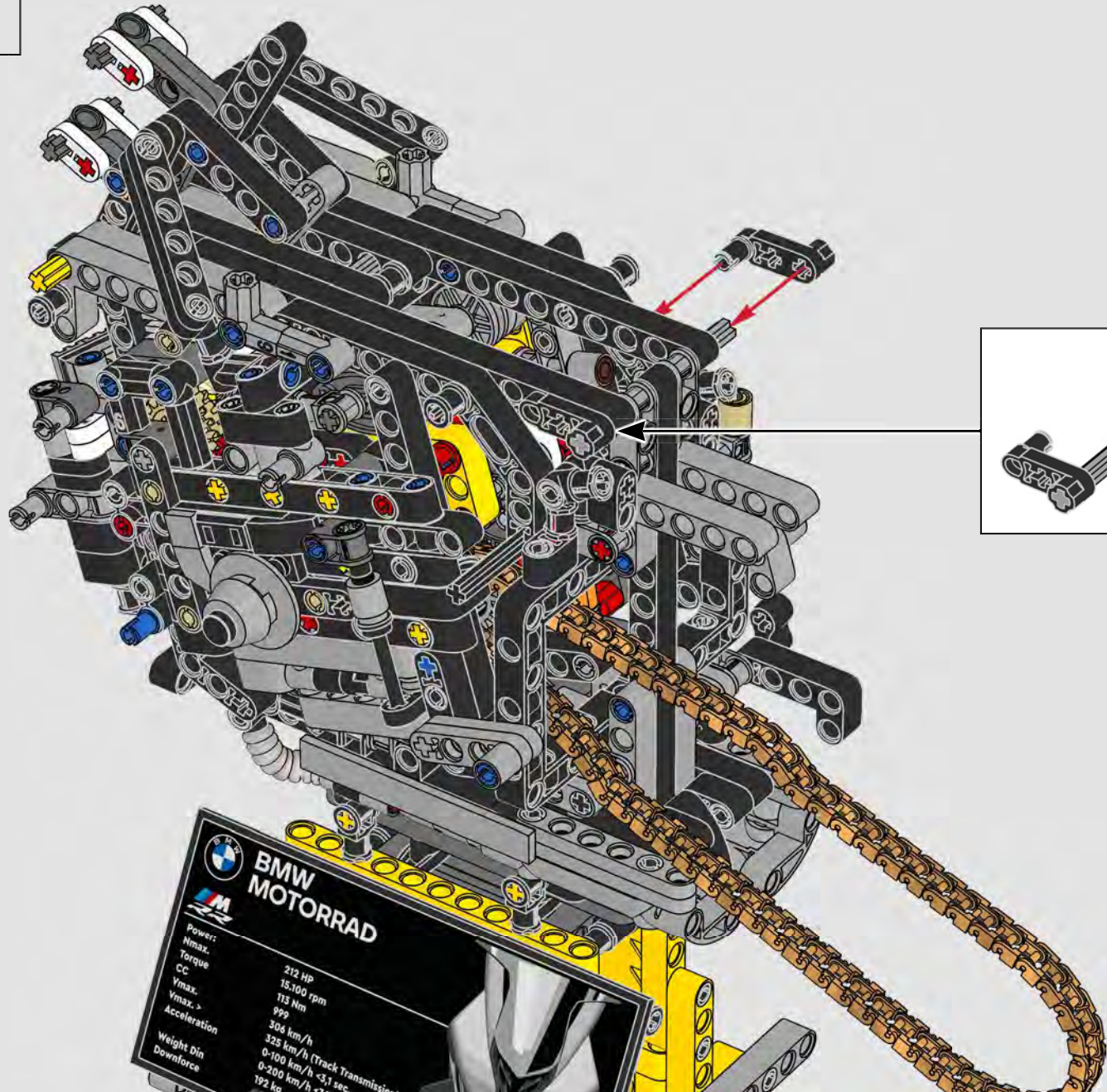
268



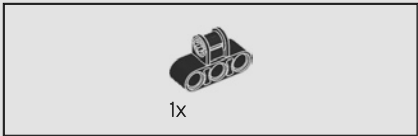
BMW MOTORRAD	
Power:	212 HP
Nmax:	15100 rpm
Torque	115 Nm
CC	999
Vmax:	306 km/h
Vmax >	325 km/h (Track Transmission)
Acceleration	0-100 km/h < 3,1 sec.
Weight Din	0-200 km/h < 7,3 sec.
Downforce	192 kg
	M Winglet 16,3 kg



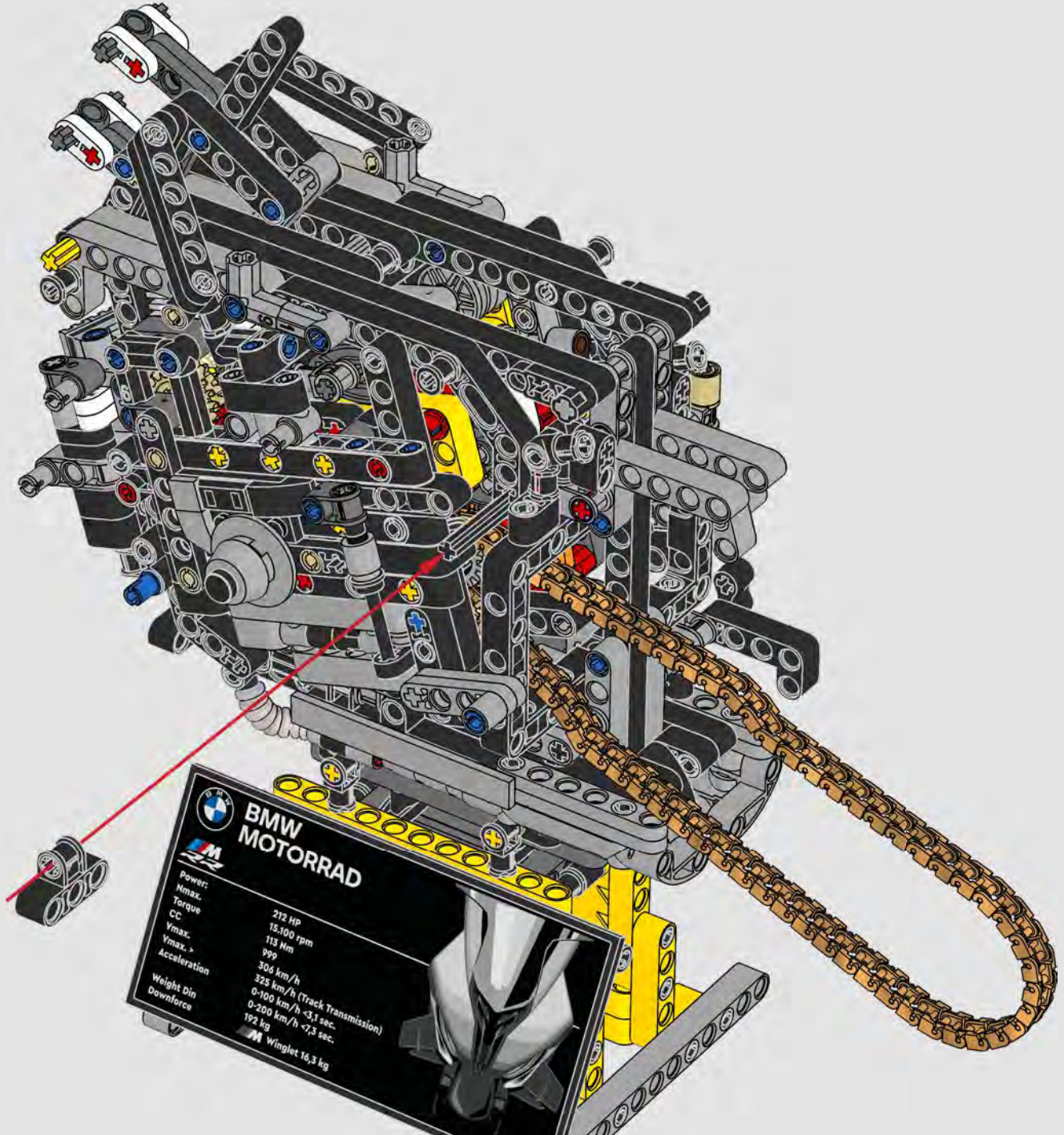
269



BMW MOTORRAD	
Power:	212 HP
Nmax:	15.100 rpm
Torque:	113 Nm
CC:	999
Vmax:	306 km/h
Vmax. >	326 km/h (Track Transmission)
Acceleration:	0-100 km/h < 3.1 sec
Weight (incl. Downforce):	0-200 km/h < 3.1 sec
	192 kg



270

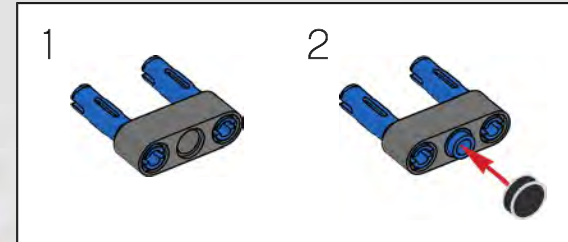
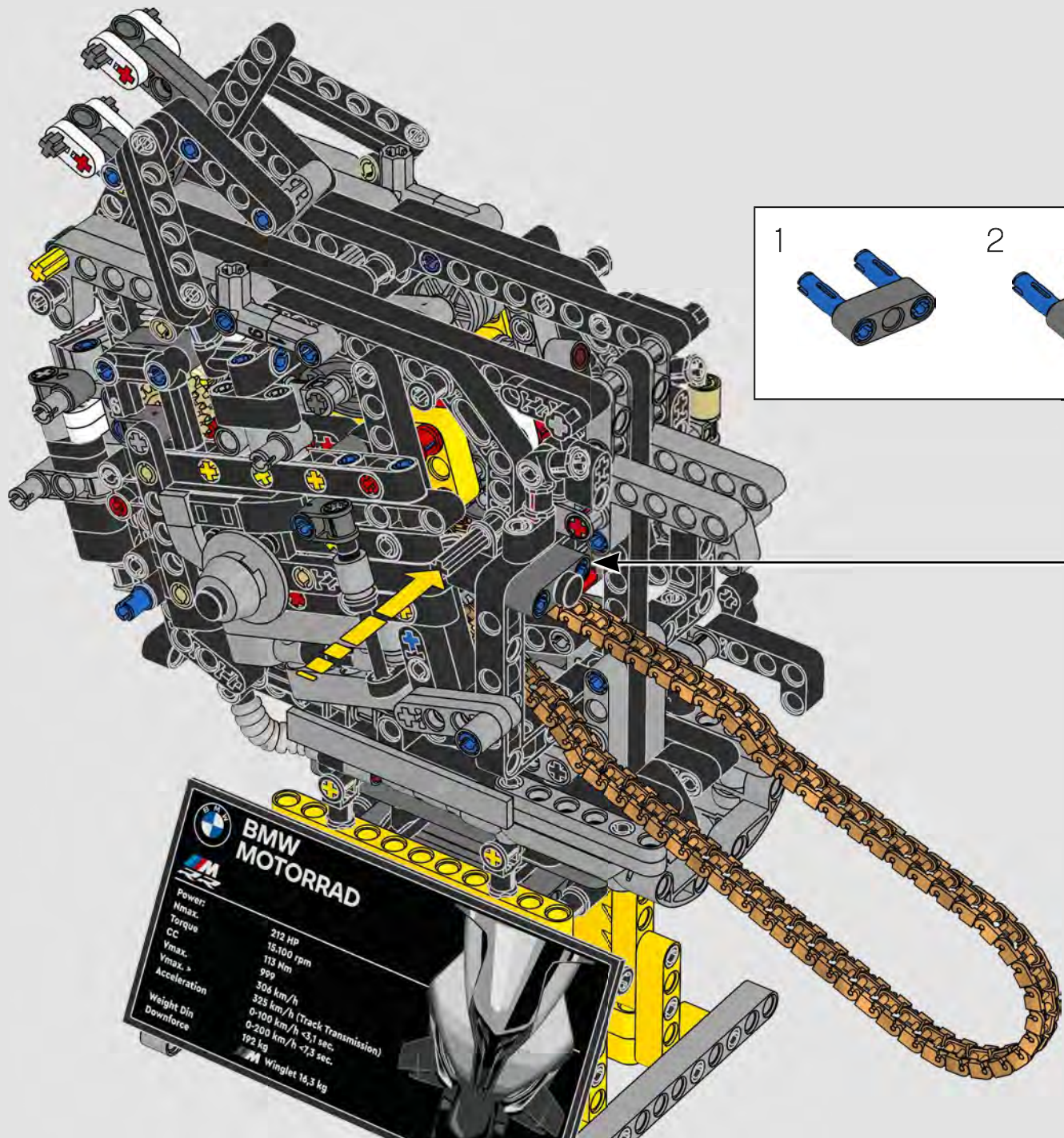


BMW MOTORRAD

Power:	212 HP
Mmax:	15-100 rpm
Torque	113 Nm
CC	999
Vmax:	306 km/h
Vmax >	326 km/h (Track Transmission)
Acceleration	0-100 km/h <3,1 sec.
Weight Din	0-200 km/h <7,3 sec.
Downforce	192 kg
	Winglet 16,3 kg



271

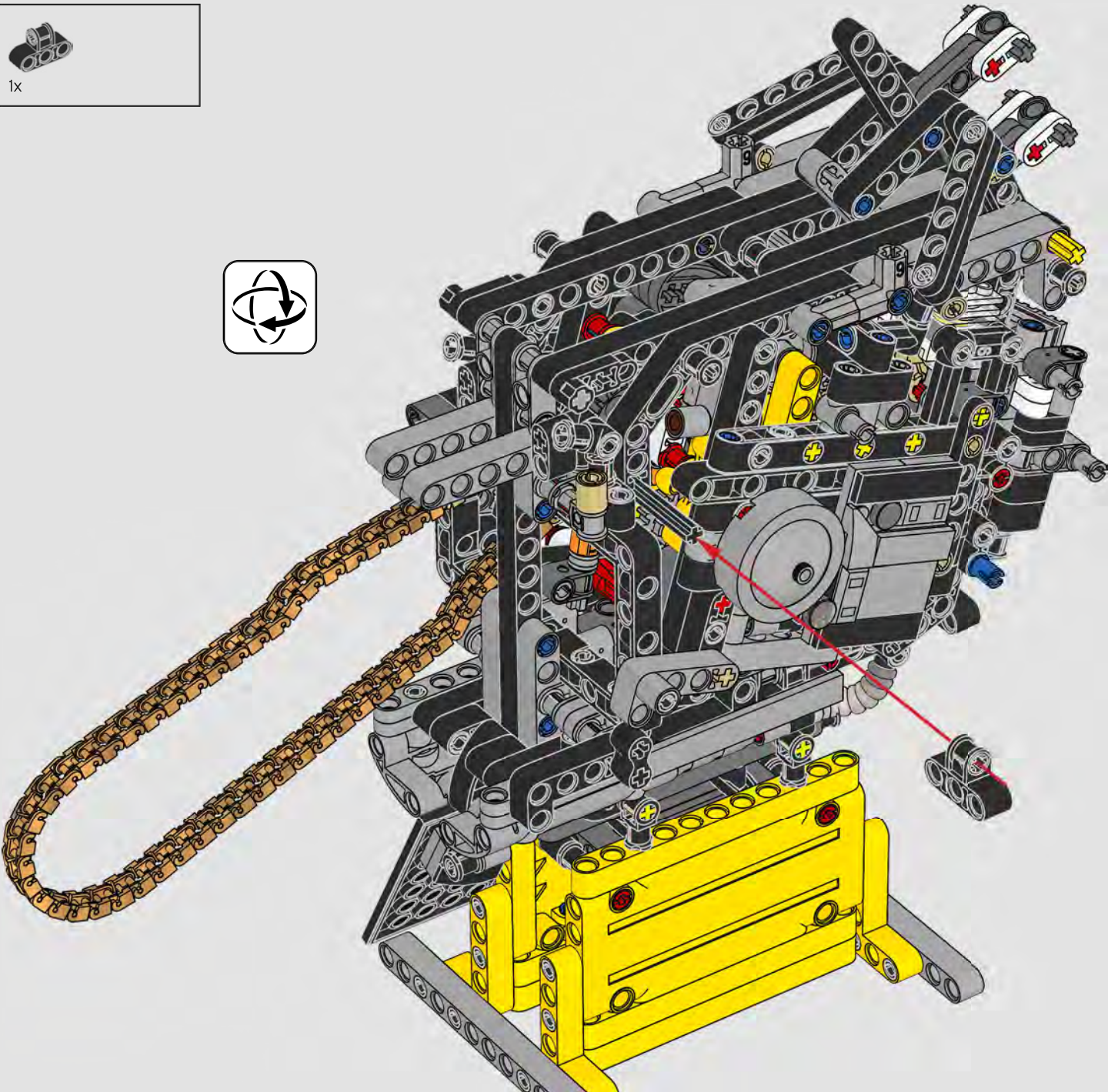


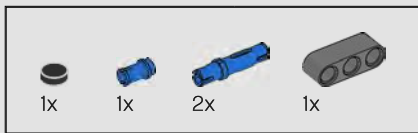
BMW MOTORRAD

Power:	212 HP
Nmax:	15.100 rpm
Torque	113 Nm
CC	999
Vmax:	306 km/h
Vmax. >	325 km/h (Track Transmission)
Acceleration	0-100 km/h < 3,1 sec.
Weight Din	0-200 km/h < 7,3 sec.
Downforce	192 kg
	Winglet 16,3 kg

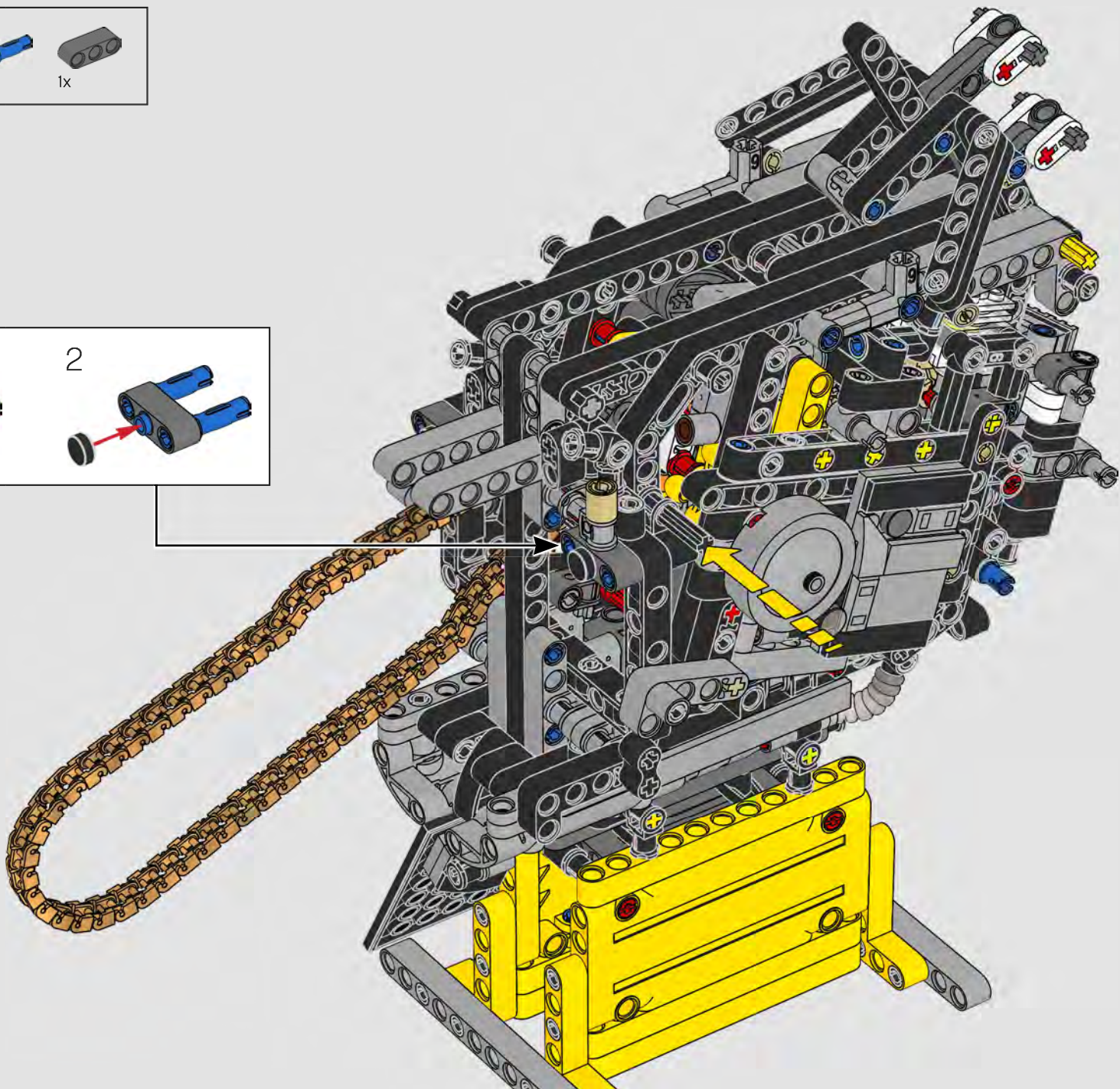
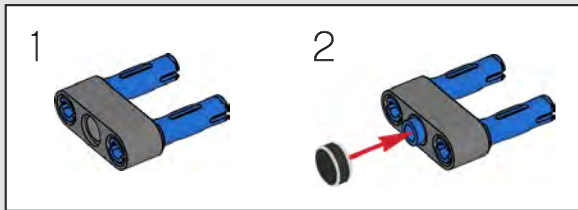


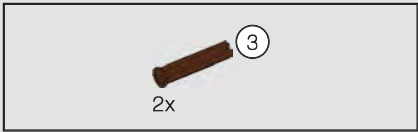
272



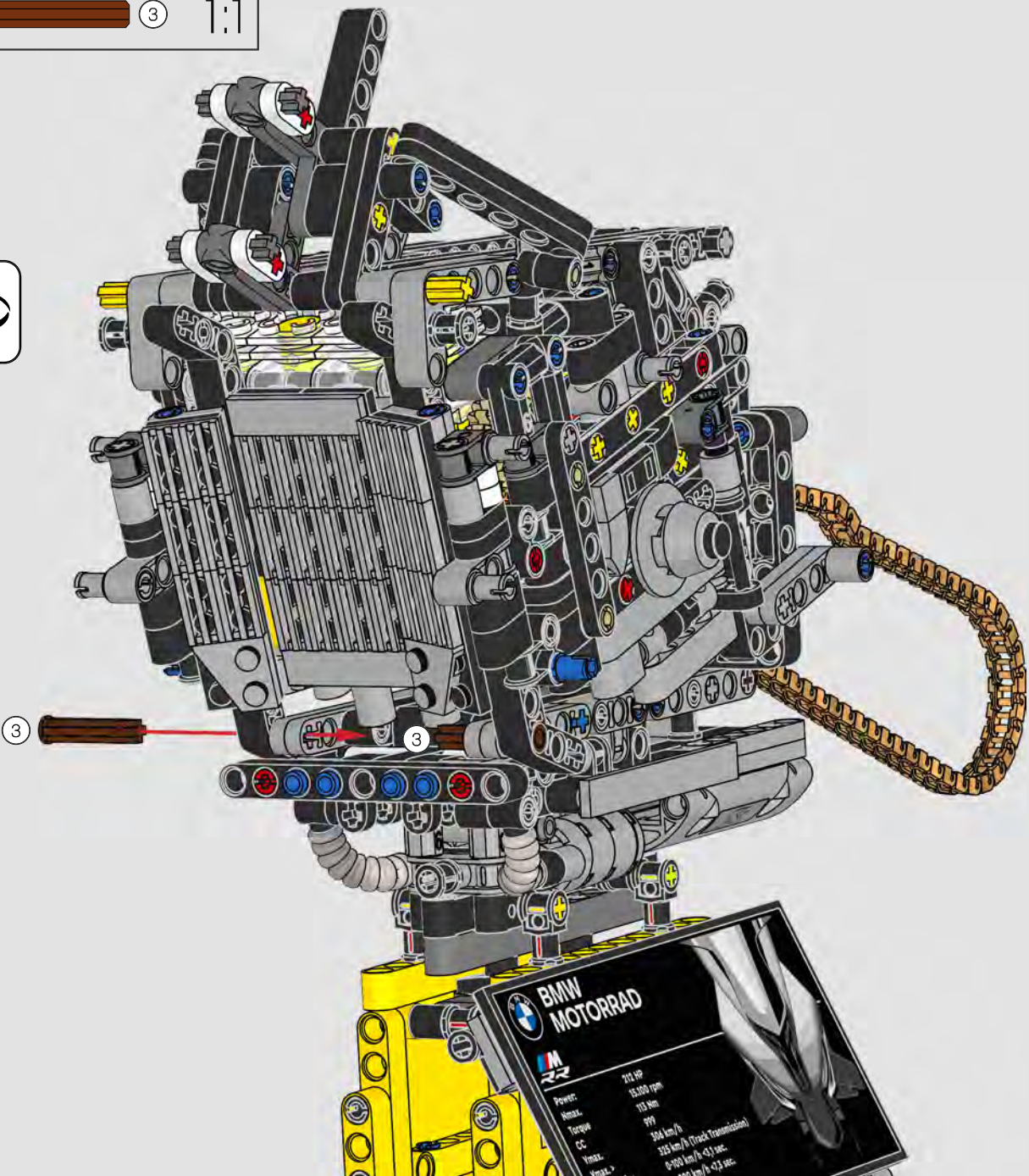


273





274





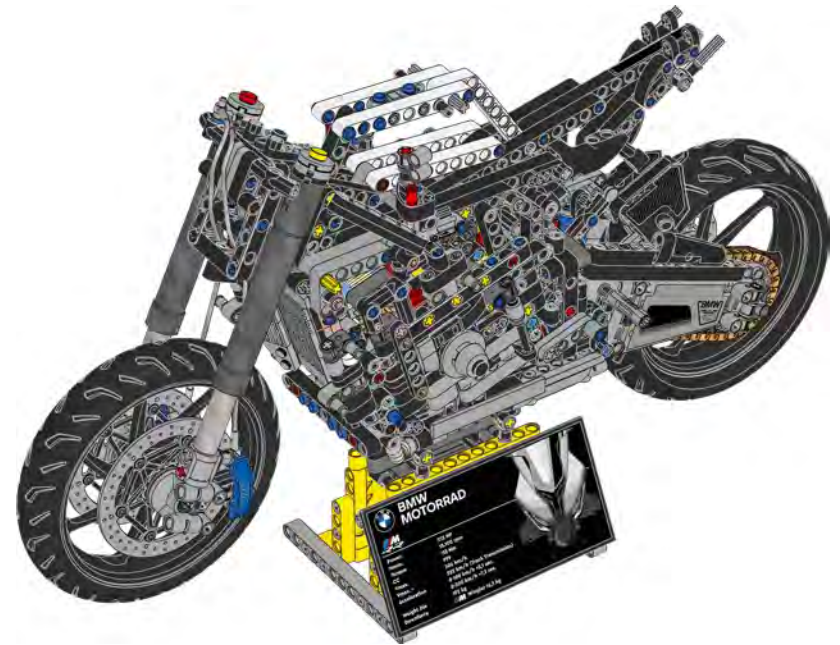
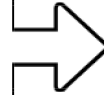
2x



3x



2x



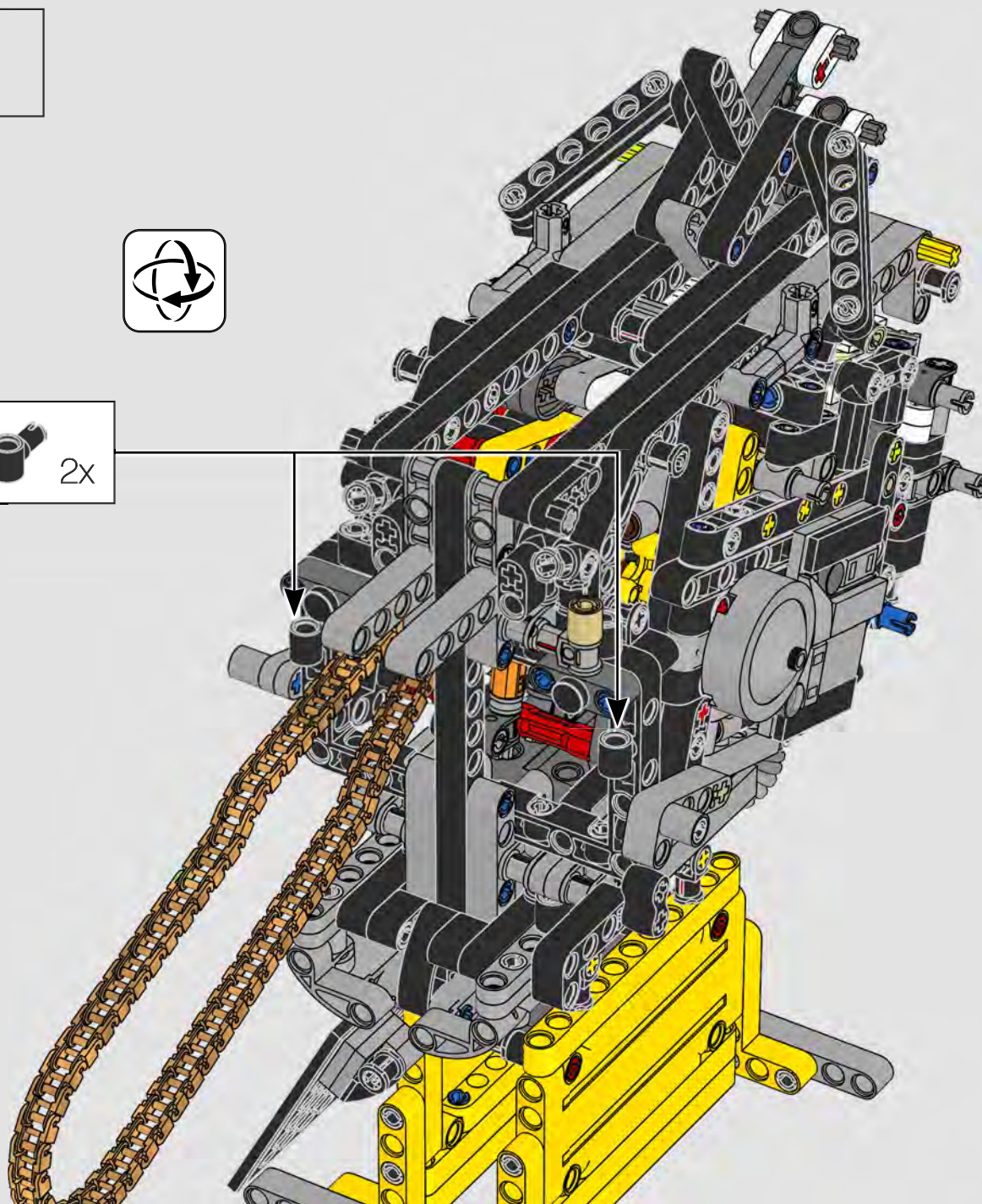


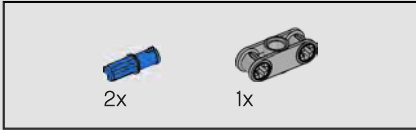
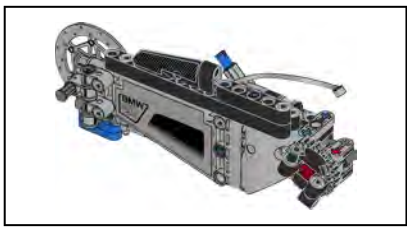
2x

275

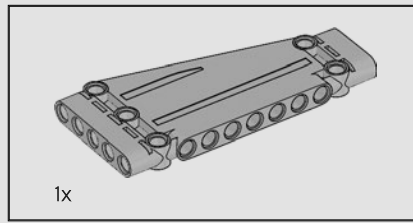
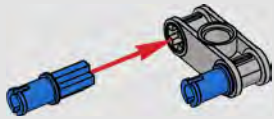


2x

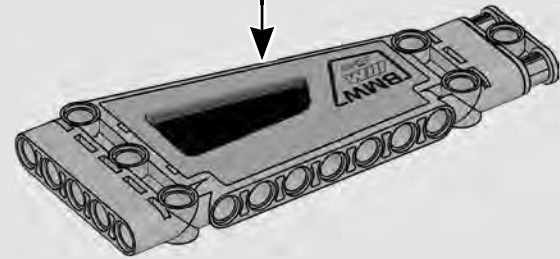
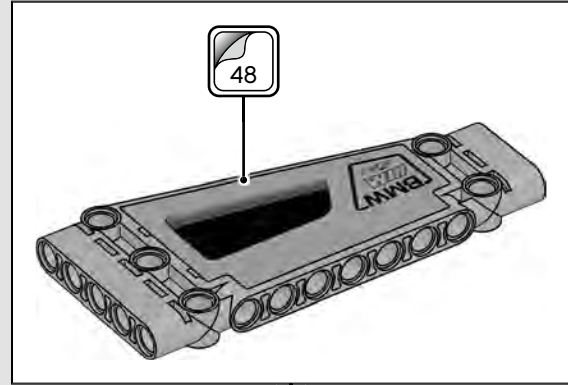


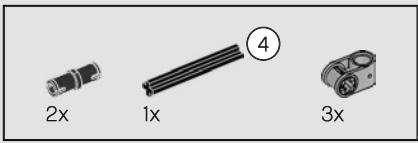


276

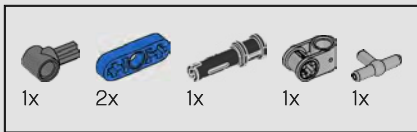
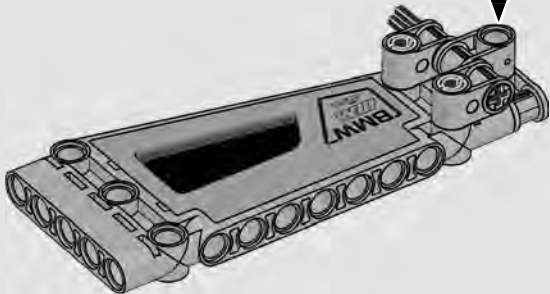
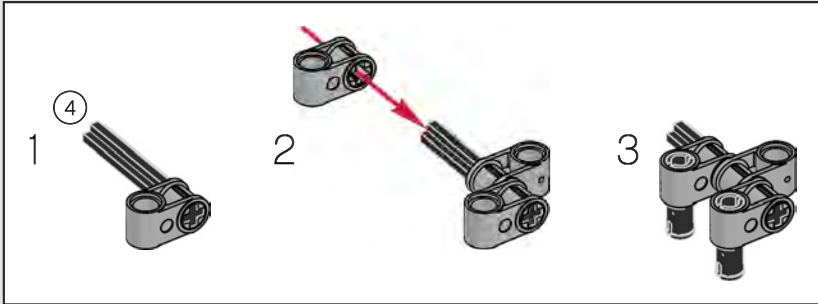


277

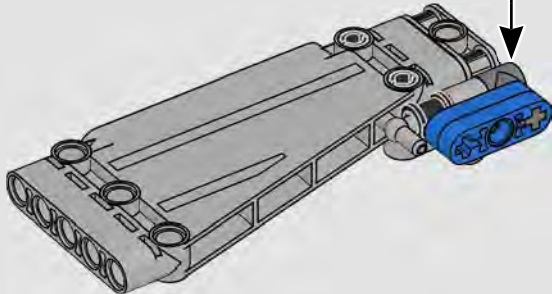
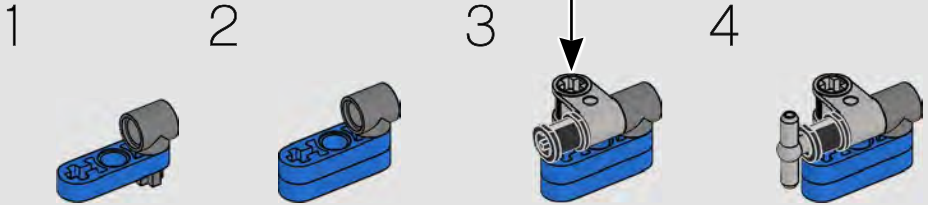
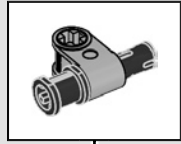


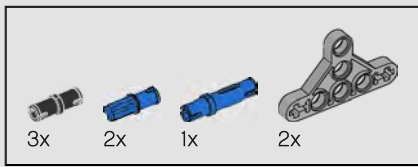


278

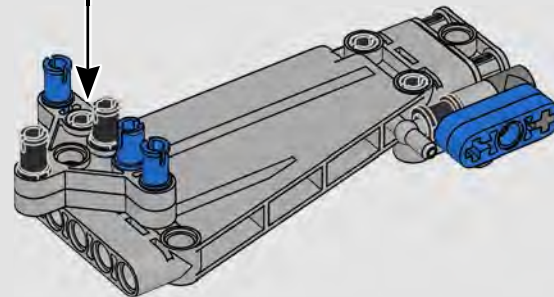
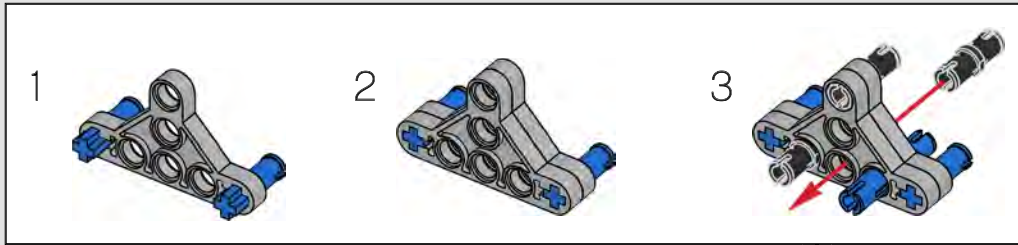


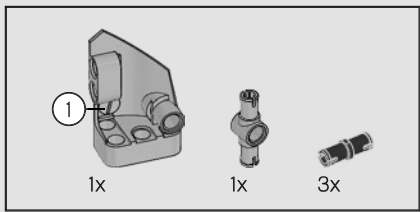
279



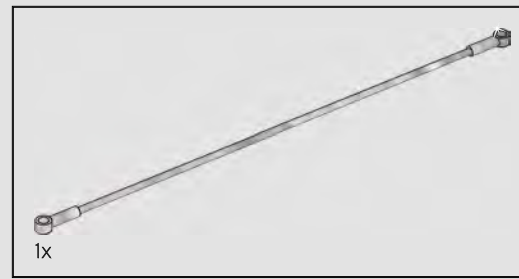
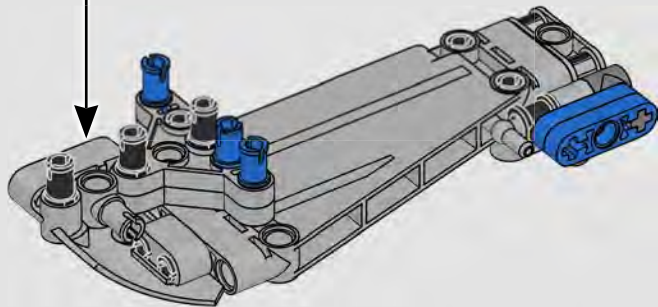
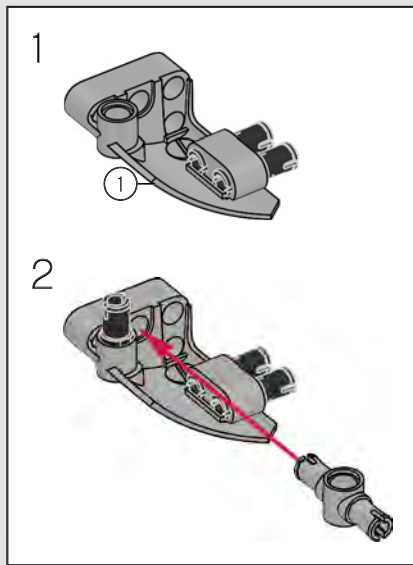


280

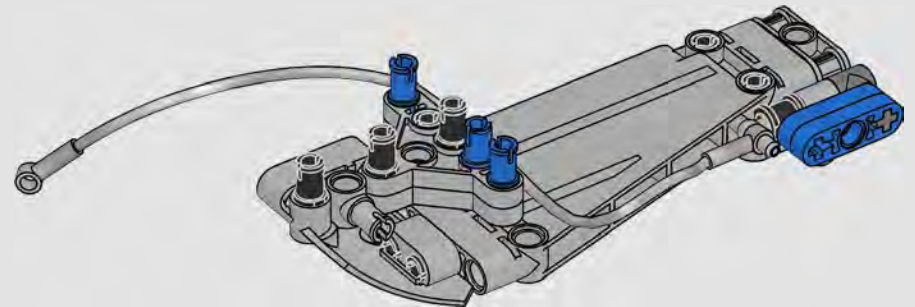


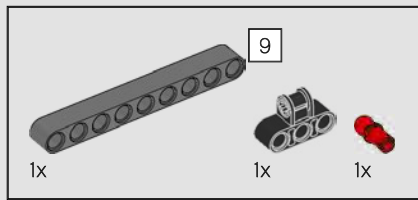


281

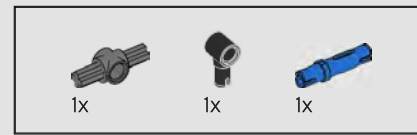
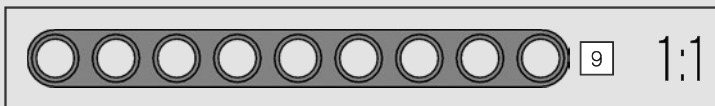
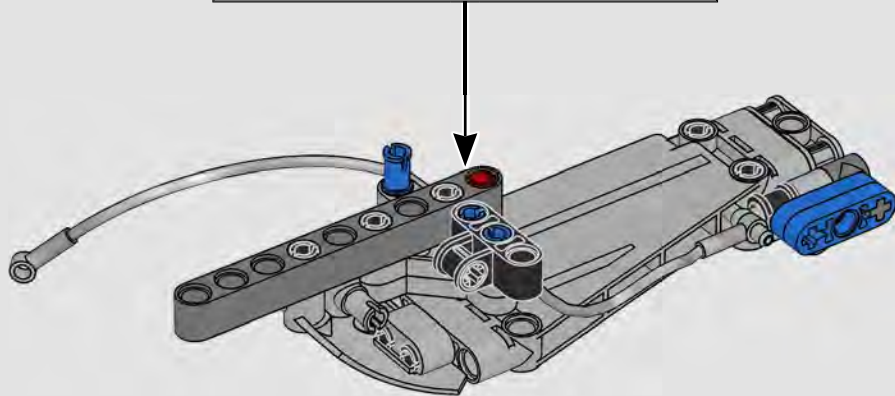
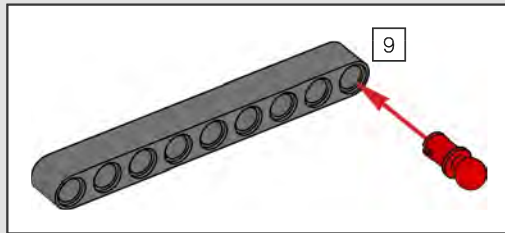
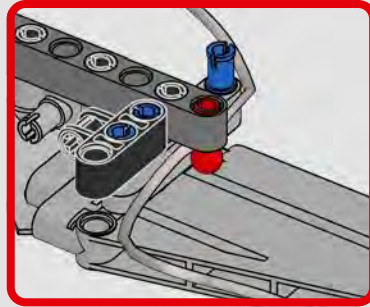


282

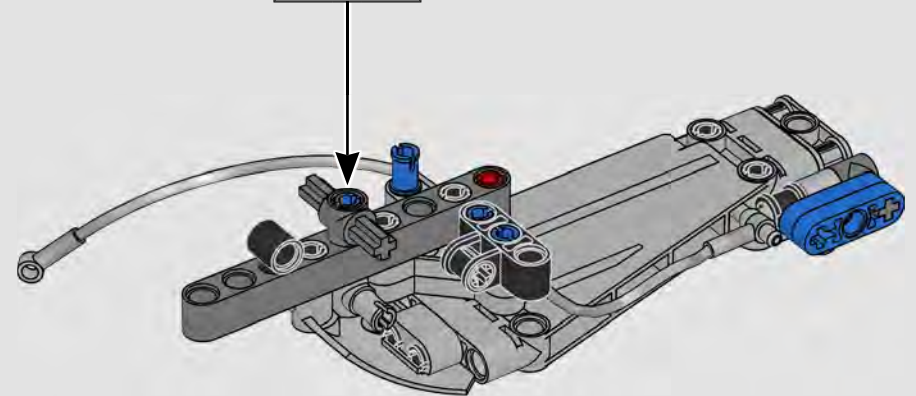
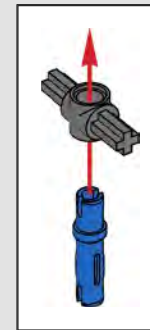


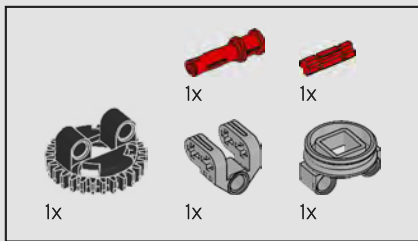


283



284

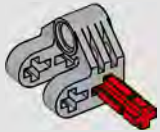




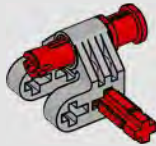
285



1



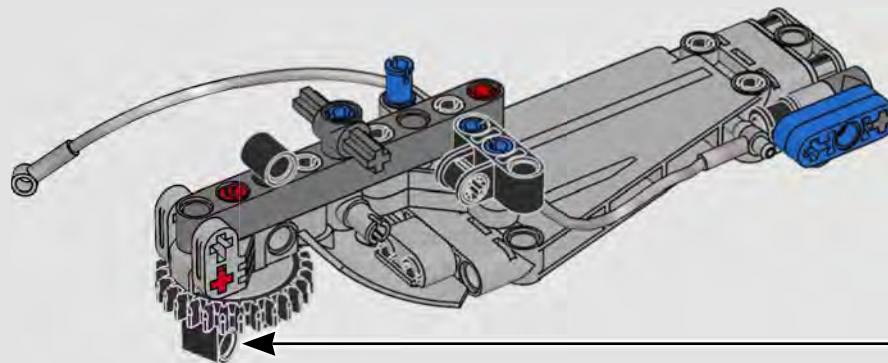
2

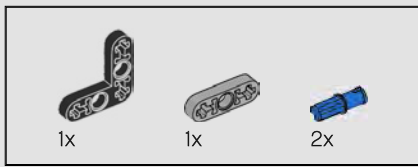


3

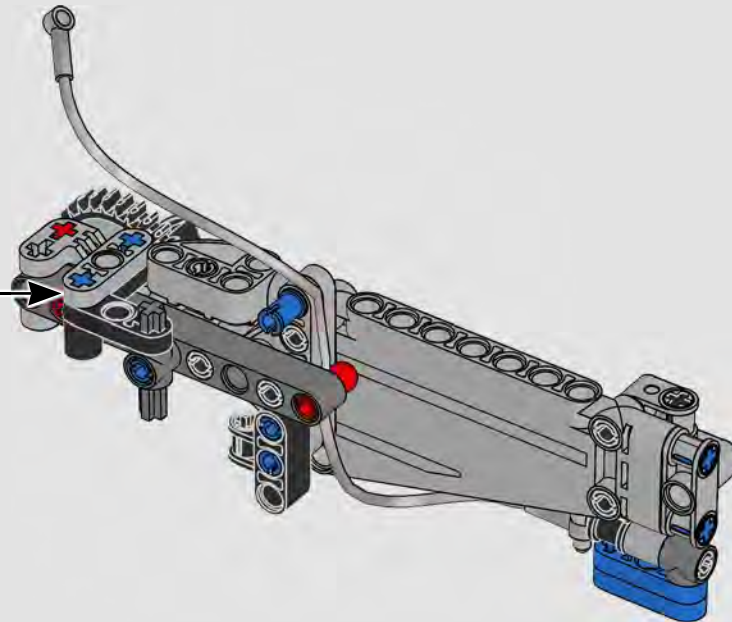
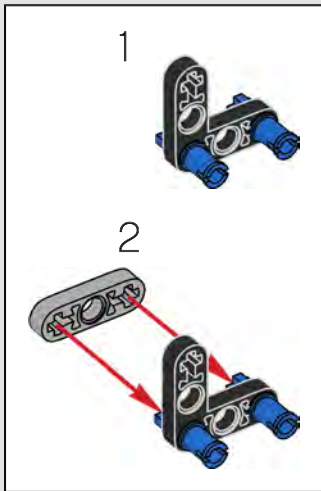


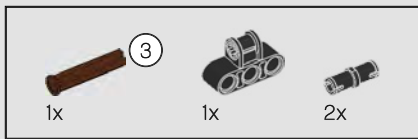
4



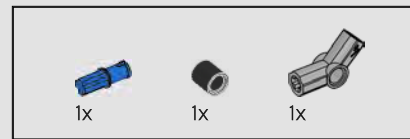
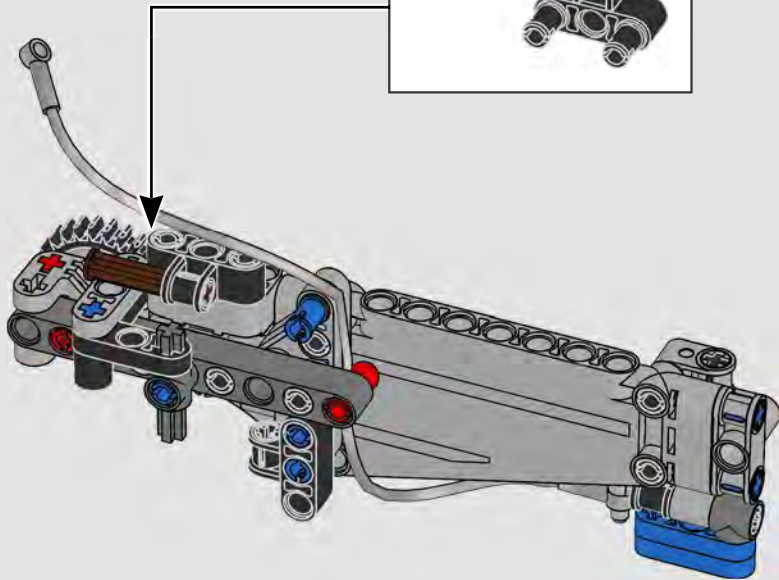
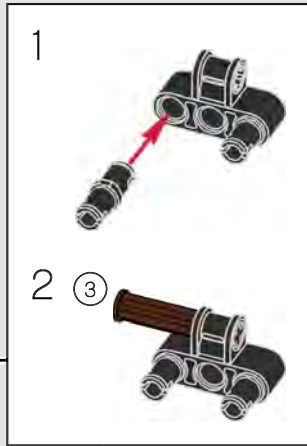


286

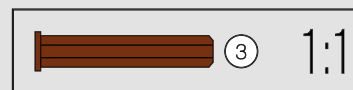
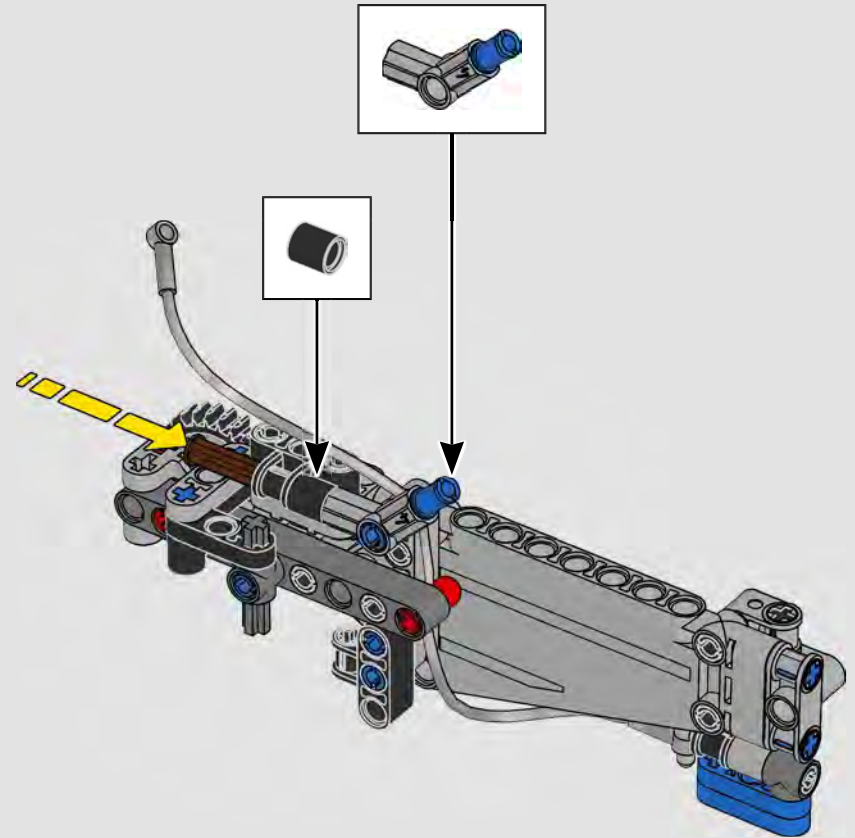


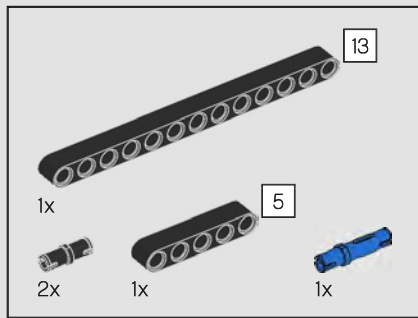


287

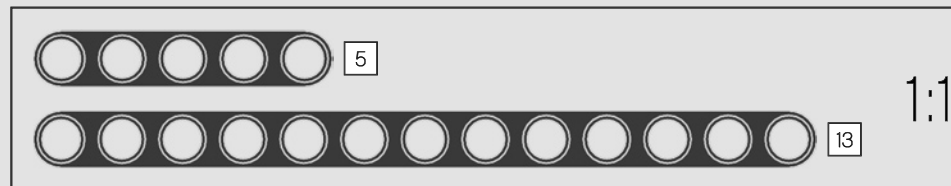
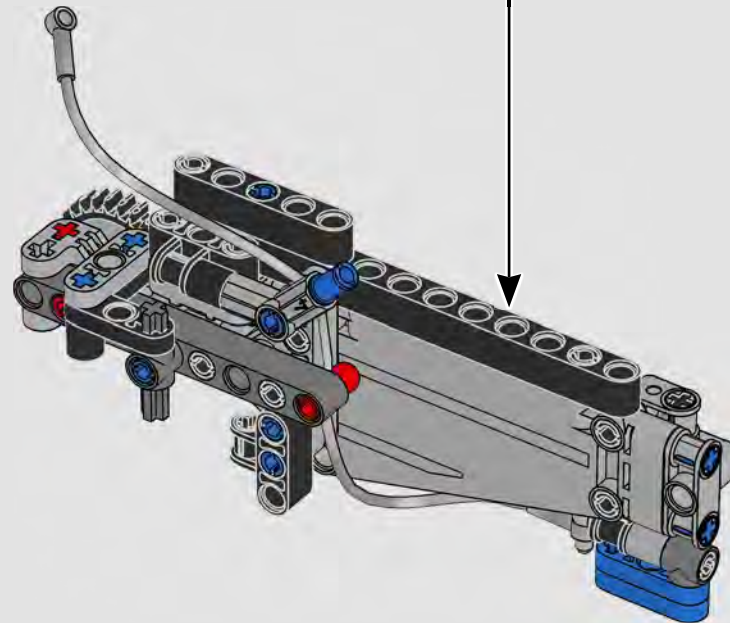
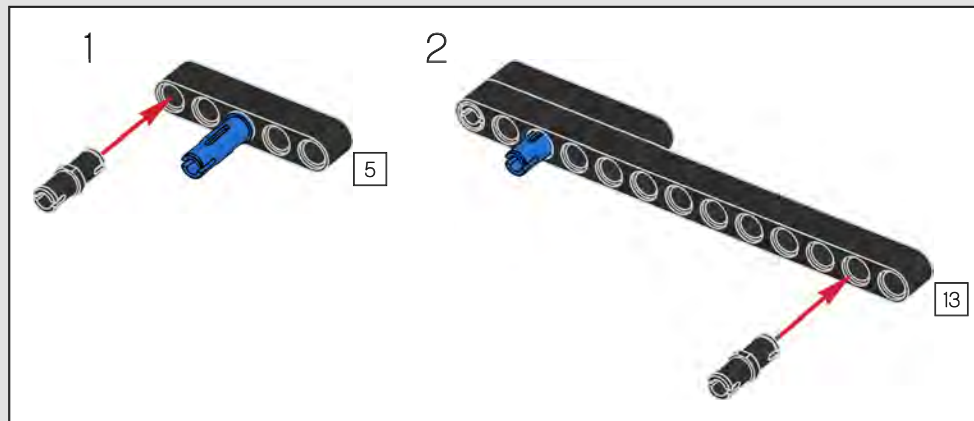


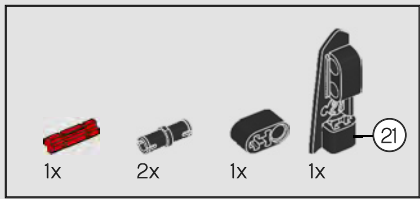
288



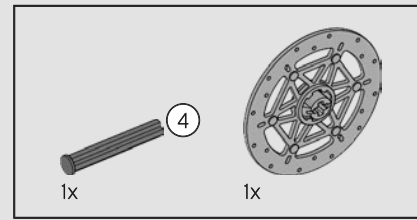
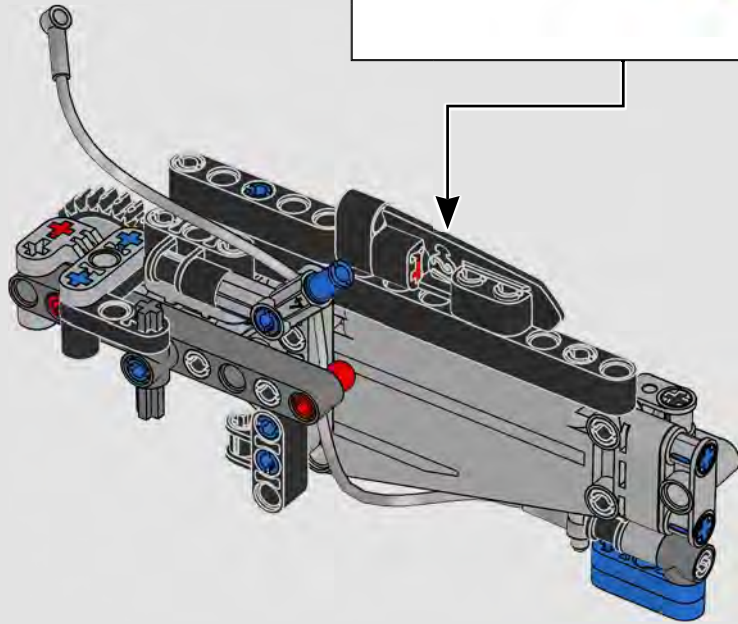
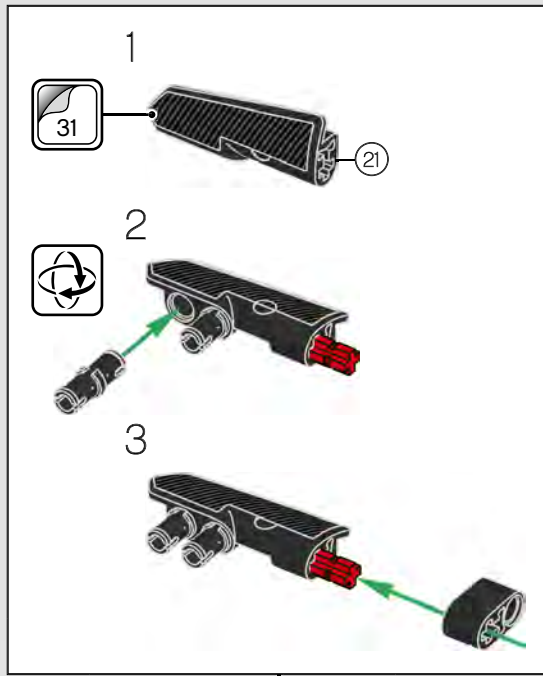


289

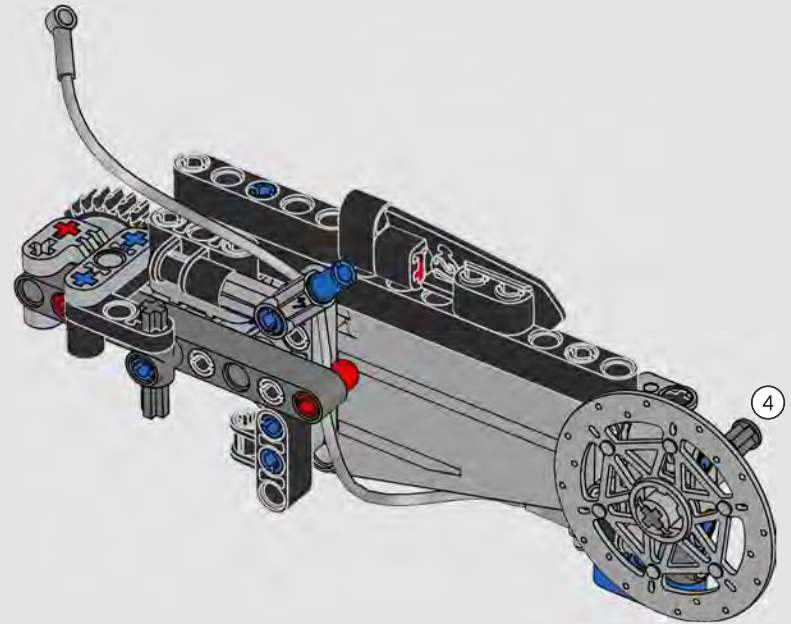
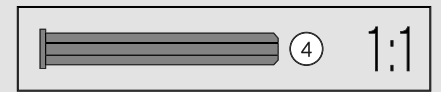


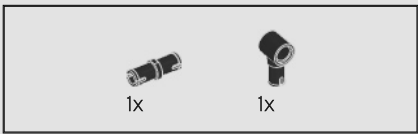


290

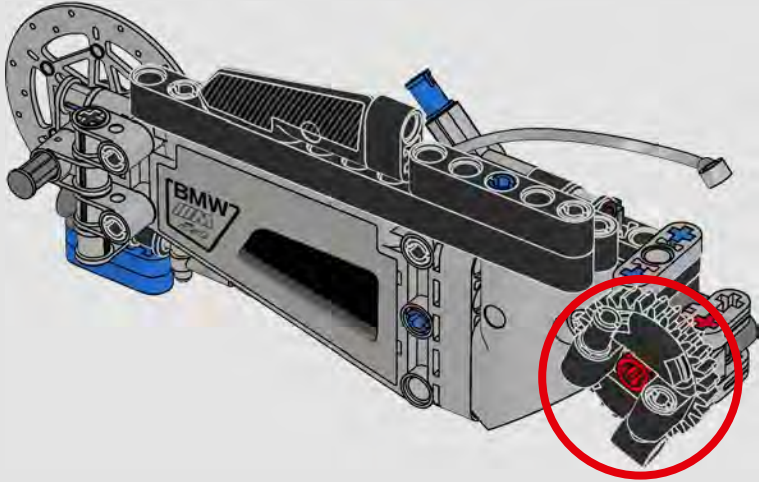


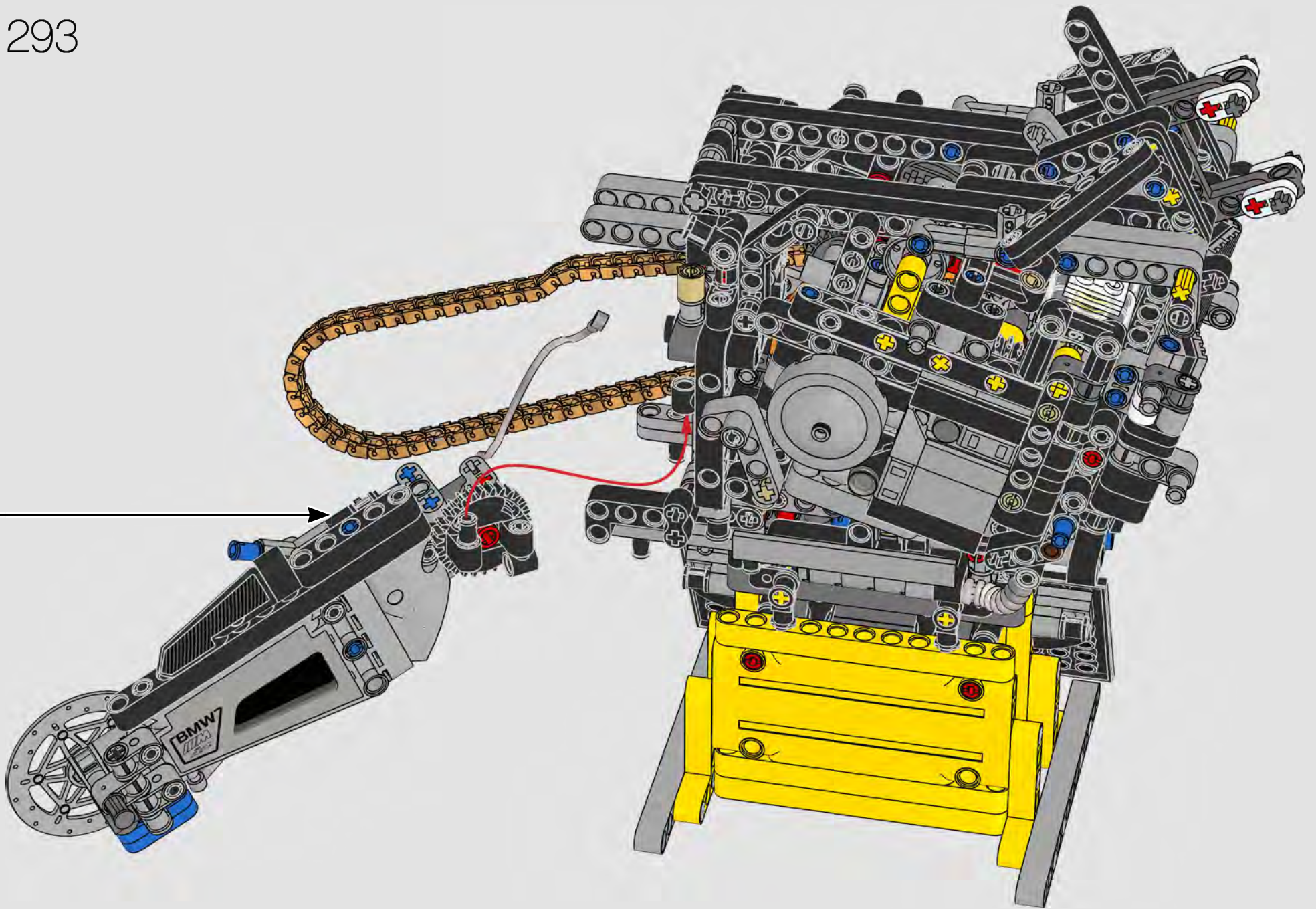
291

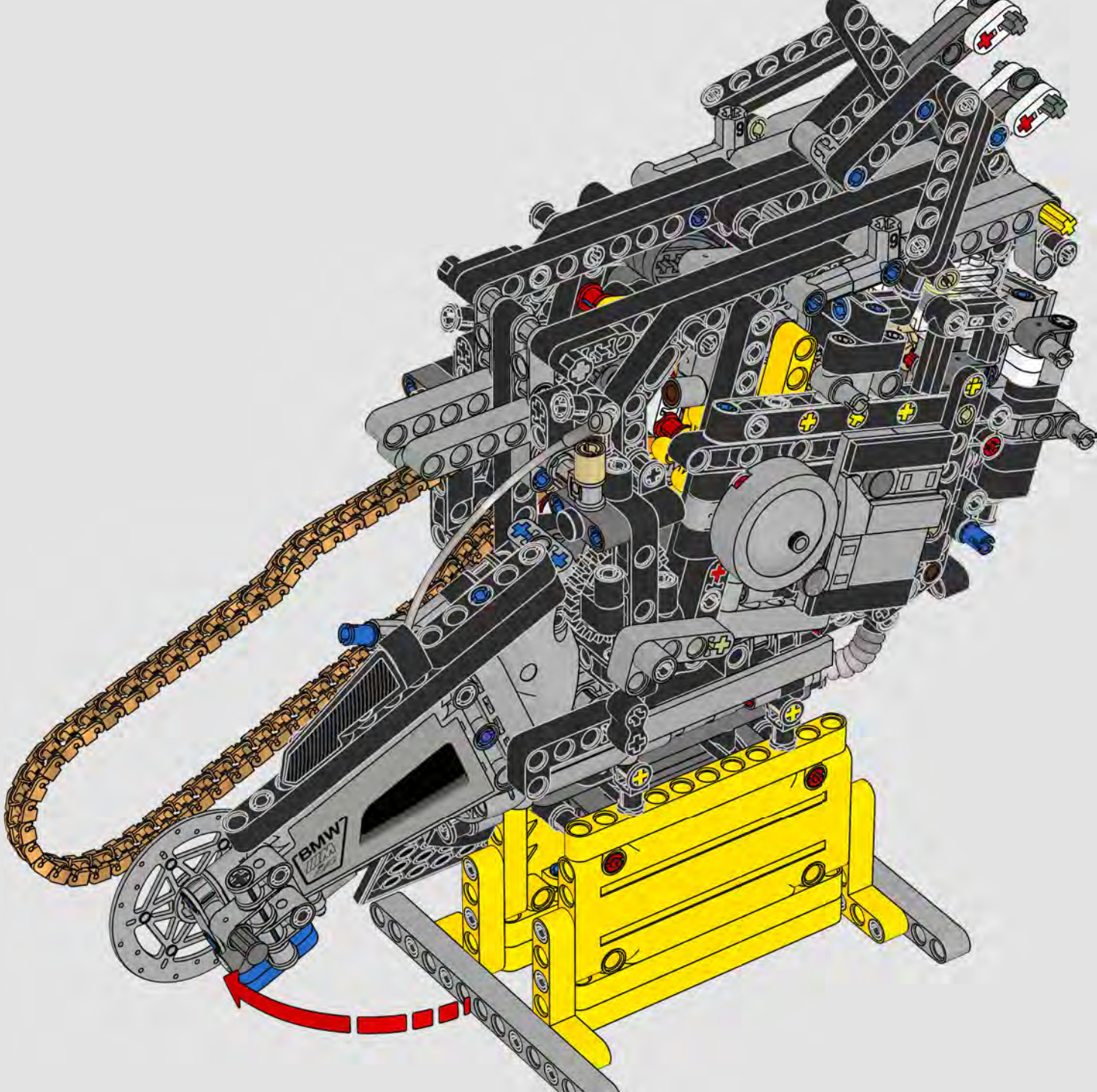




292

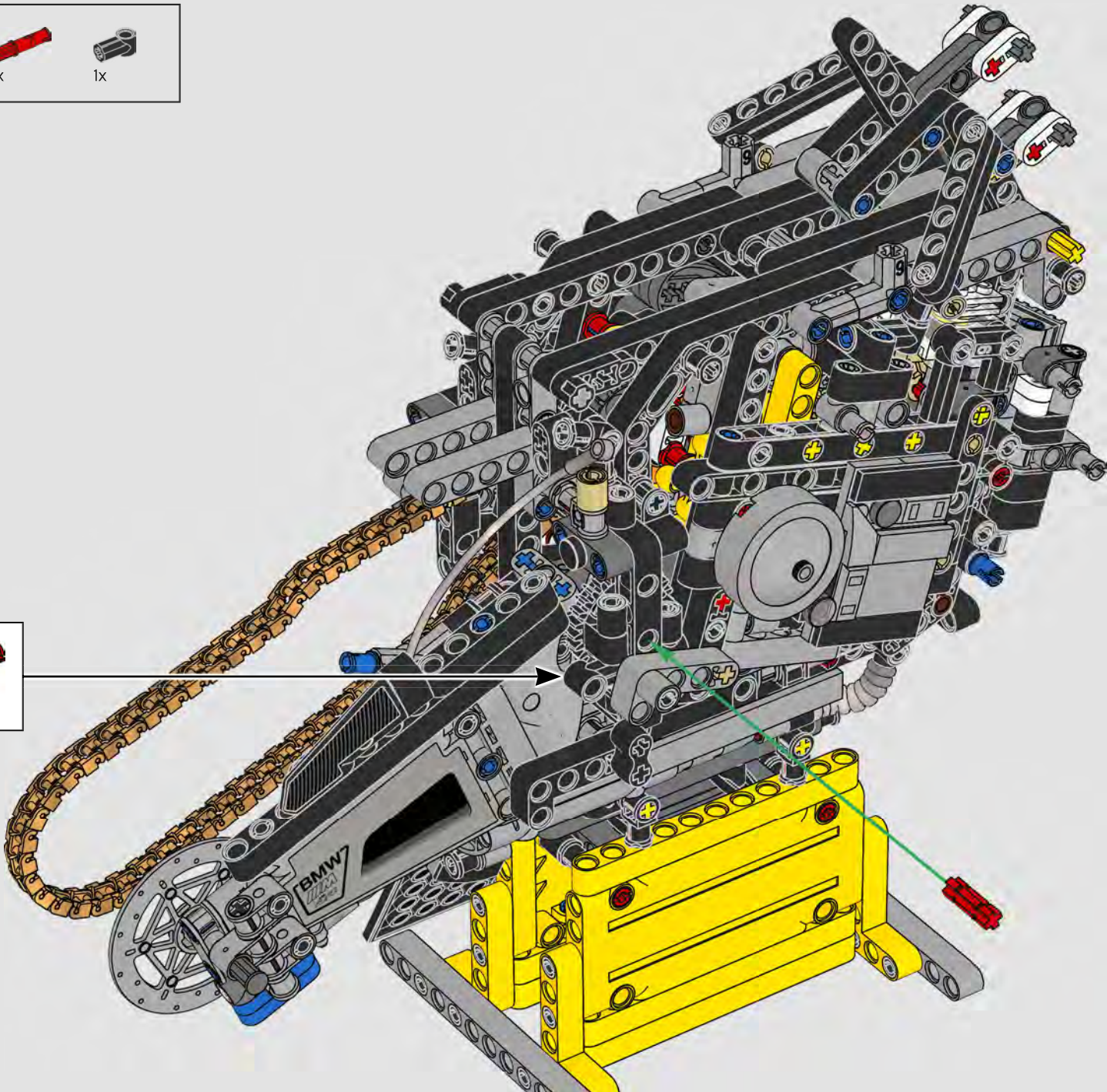


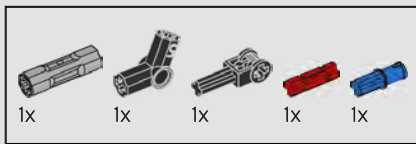




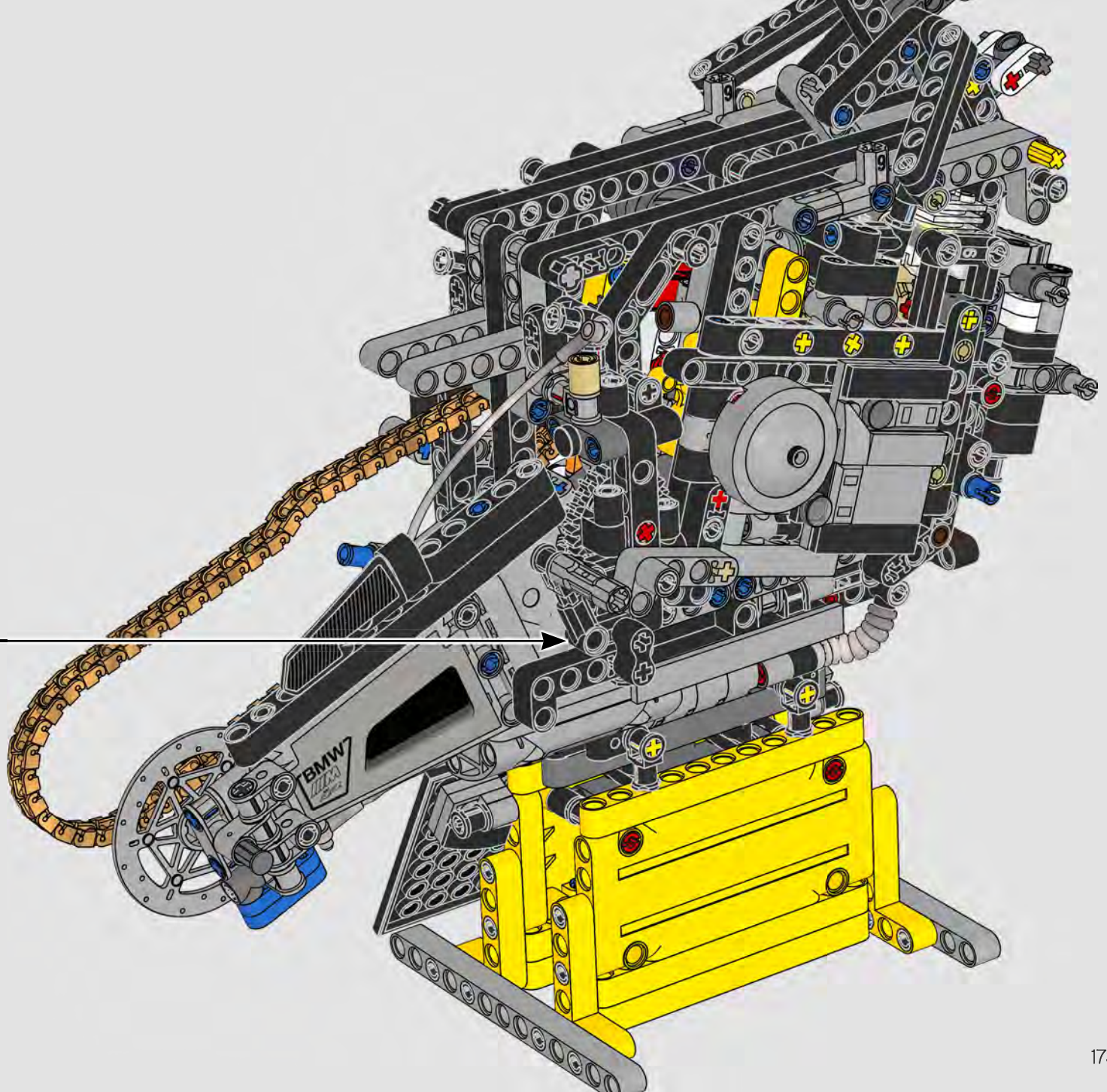
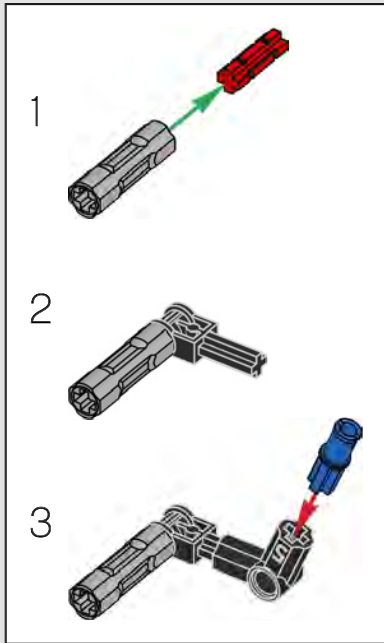


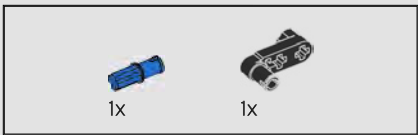
295



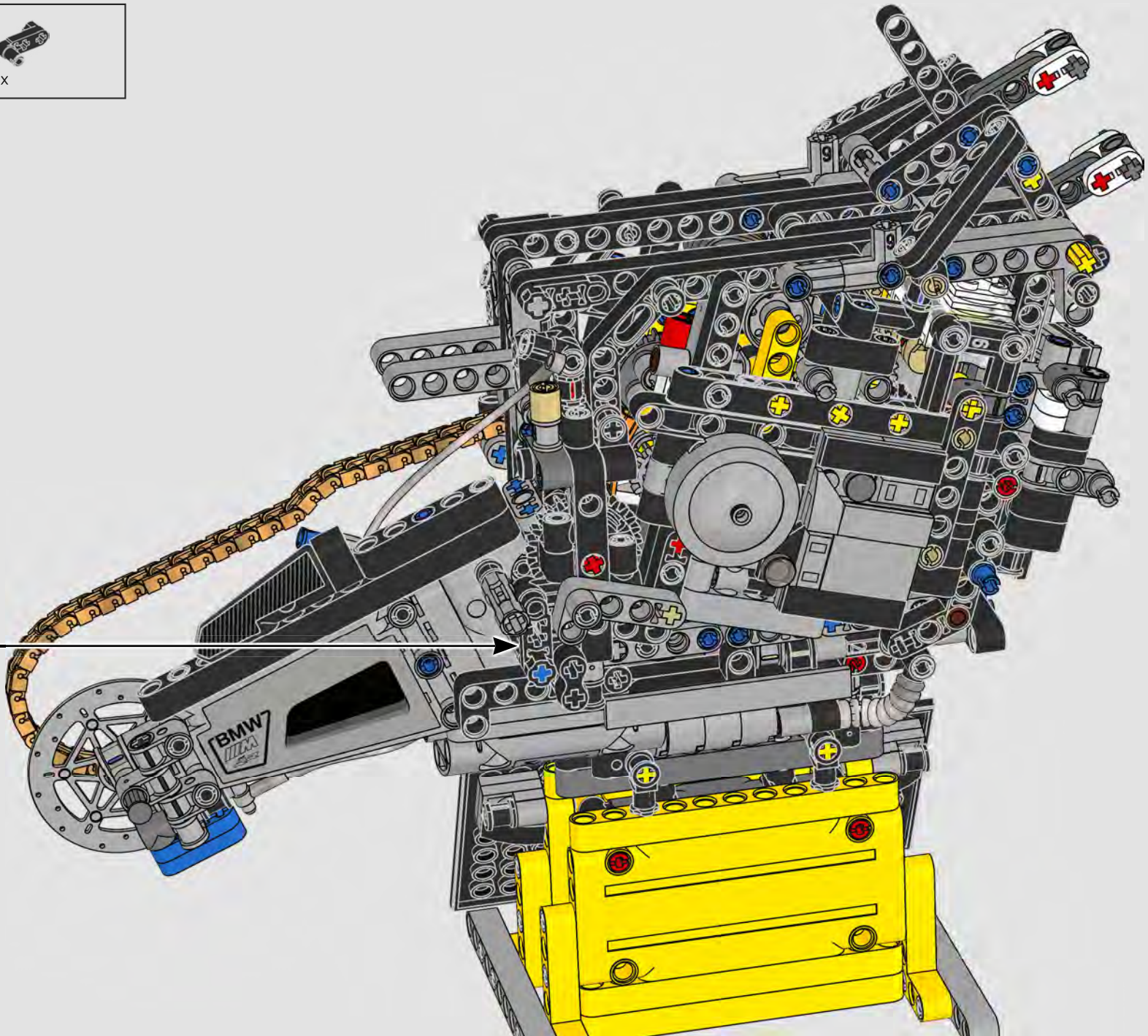


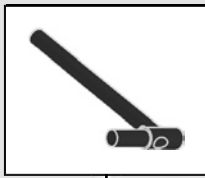
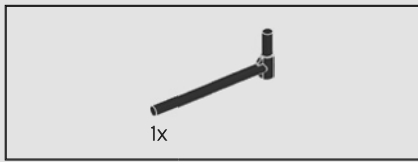
296



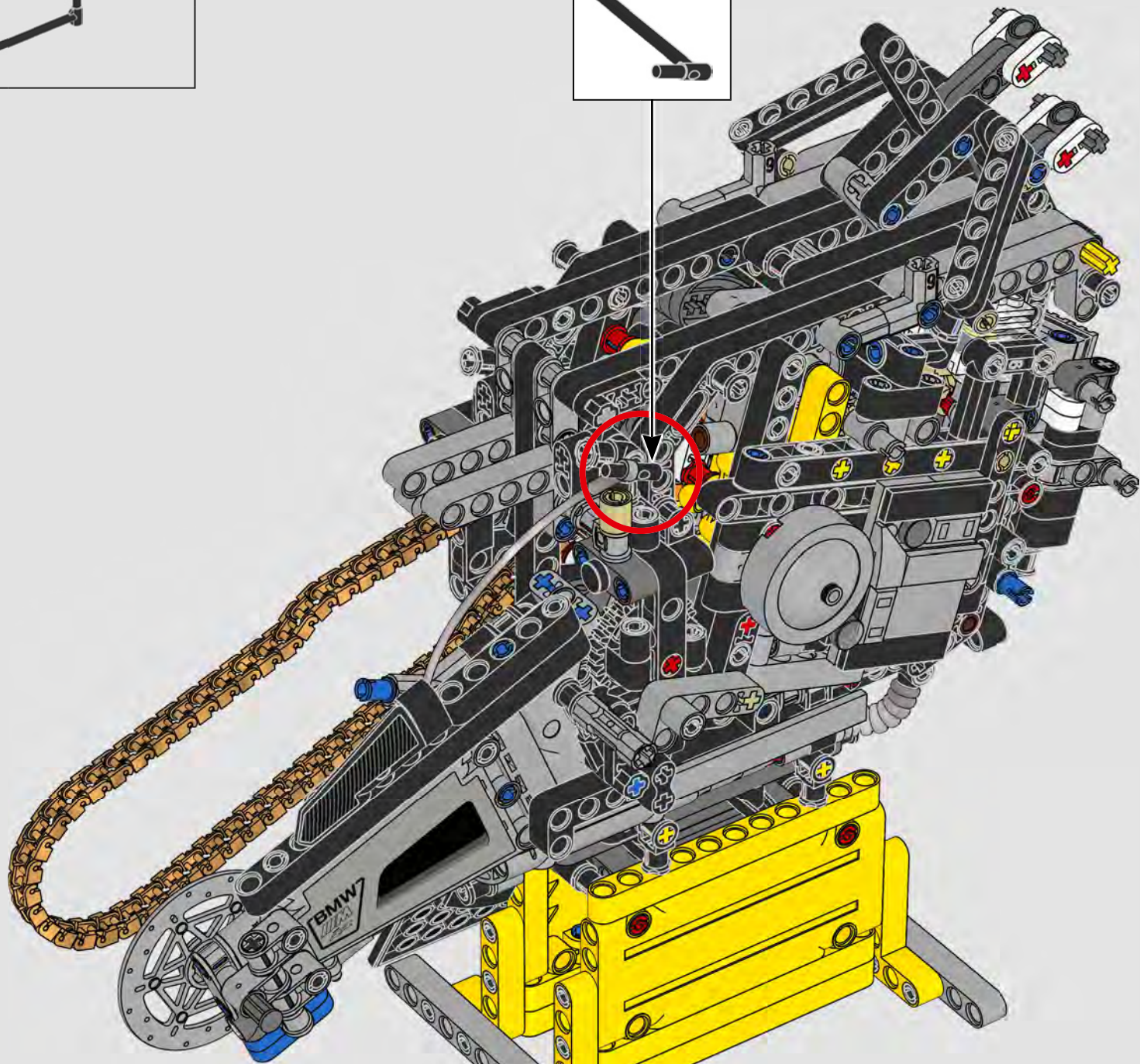


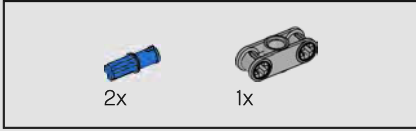
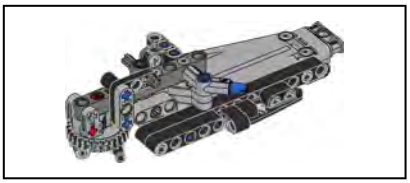
297



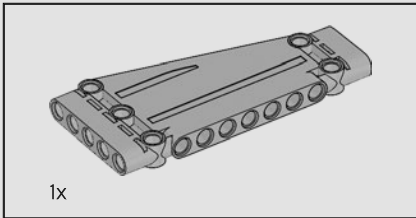


298

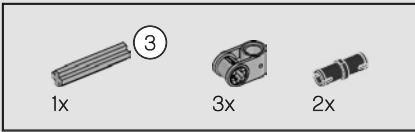
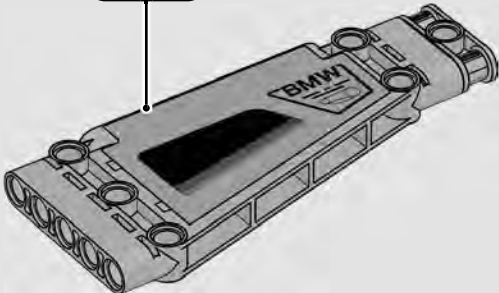




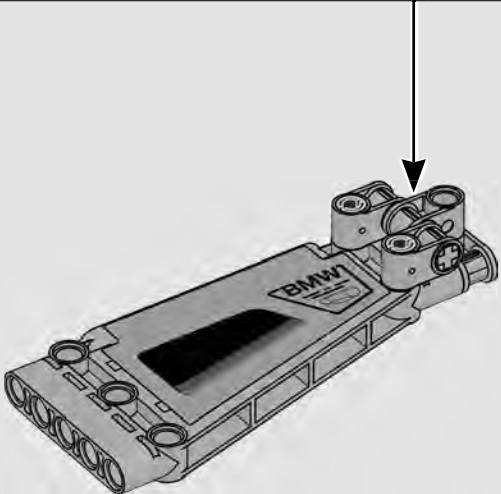
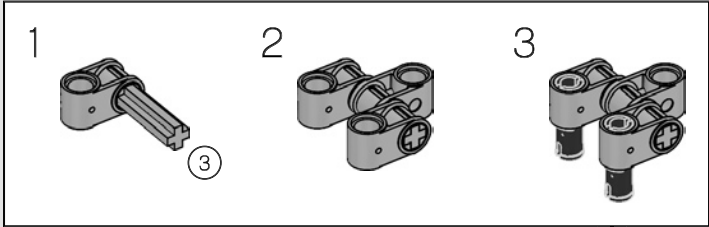
299

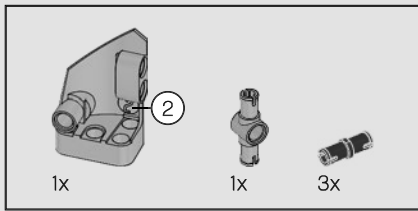


300

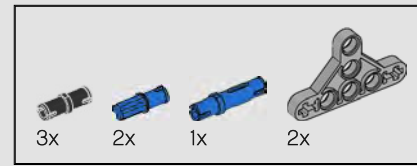
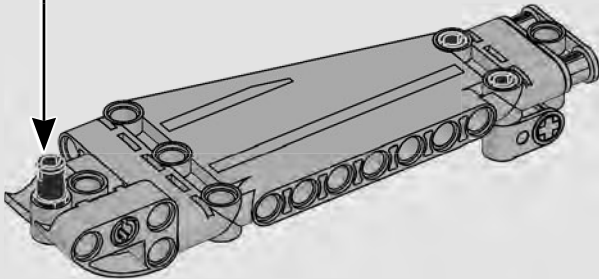
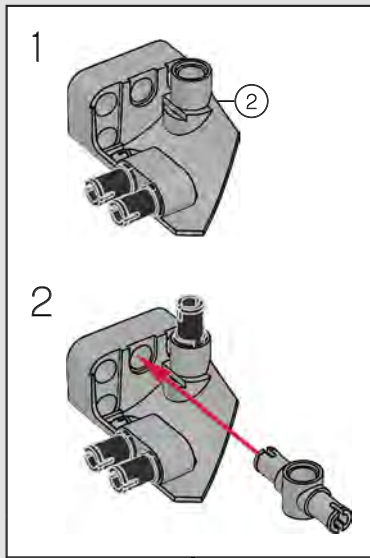


301

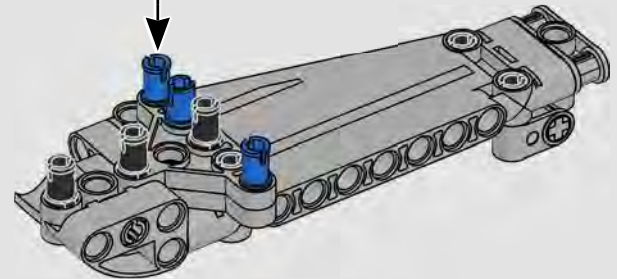
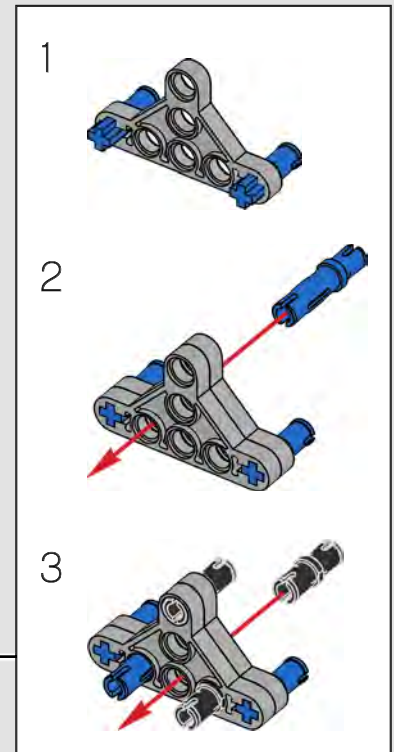


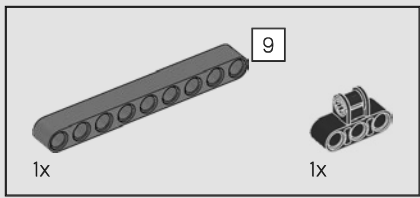


302

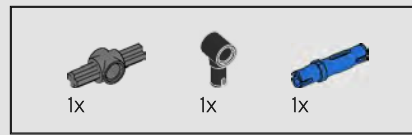
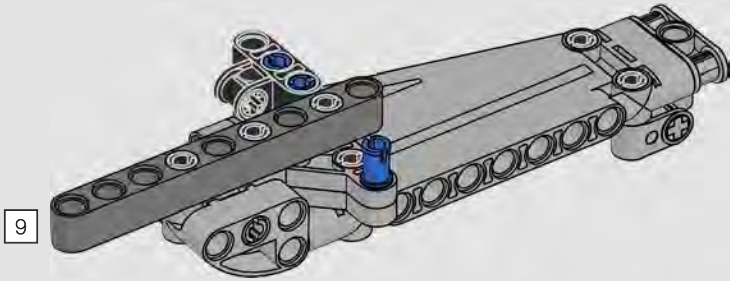


303

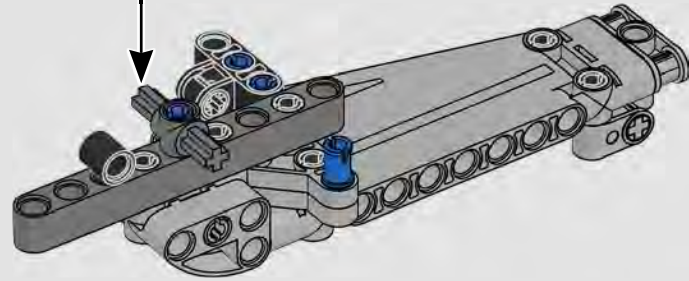


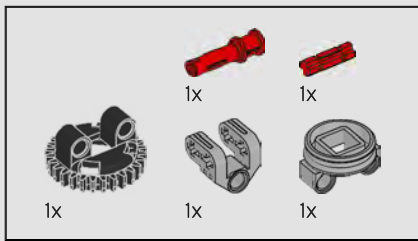


304



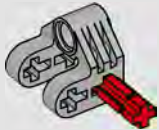
305



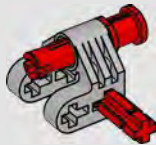


306

1



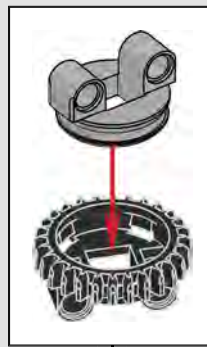
2



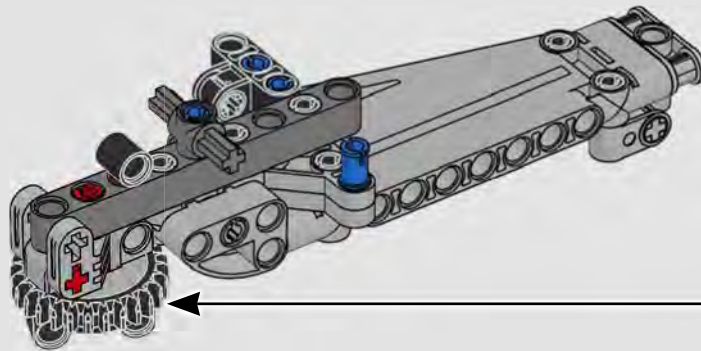
3

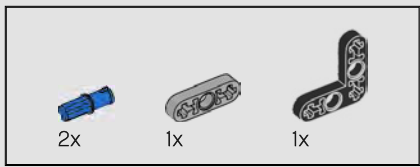


4

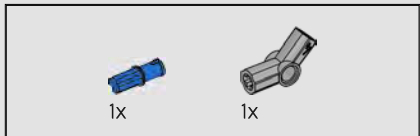
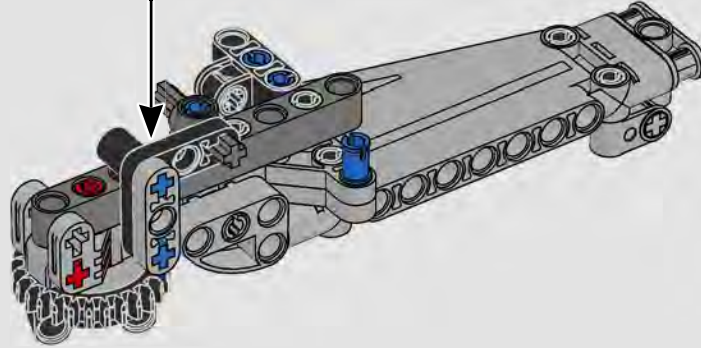


307

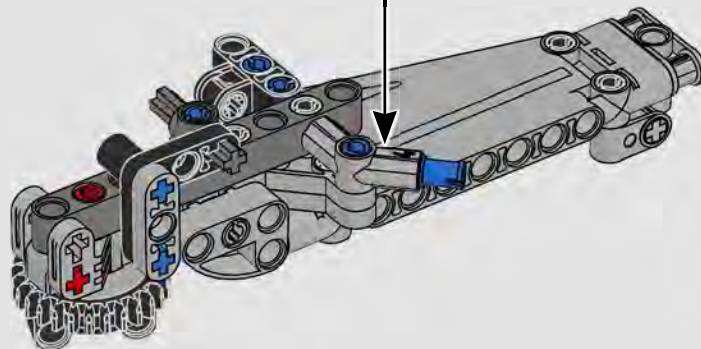


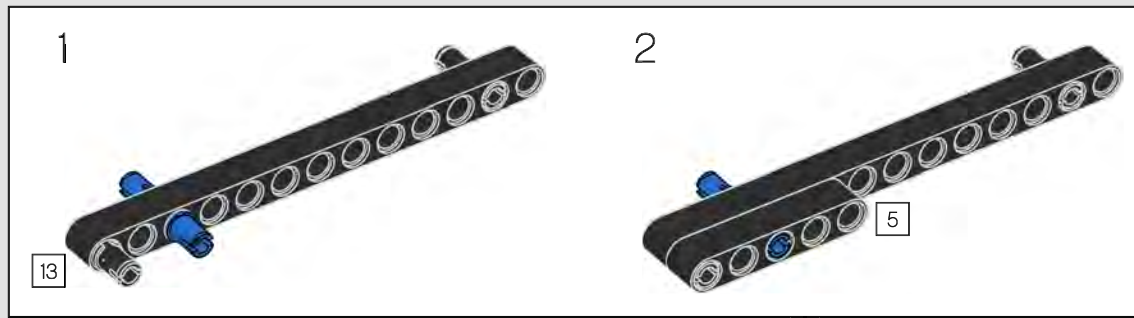
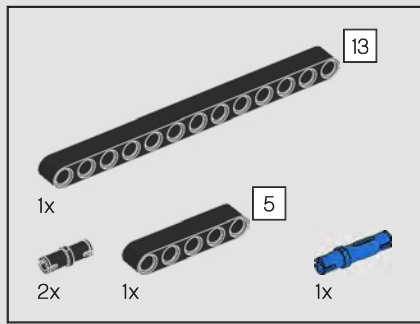


308

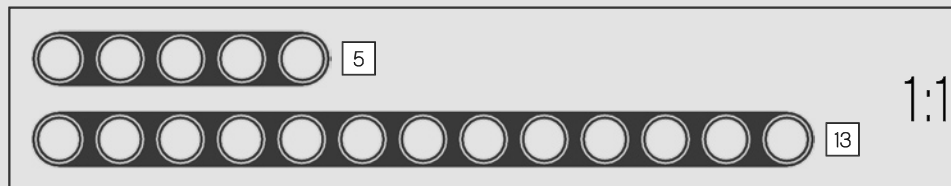
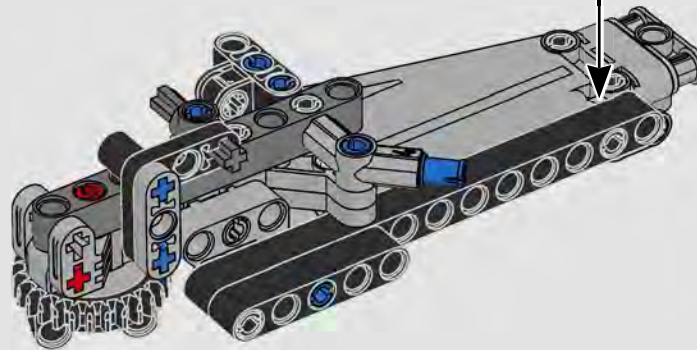


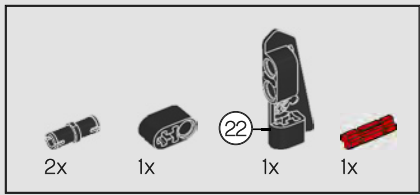
309



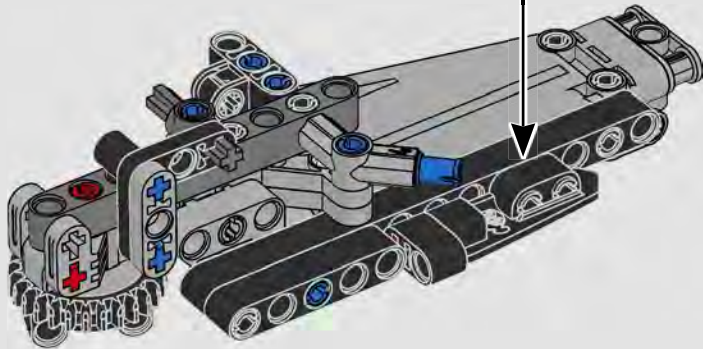
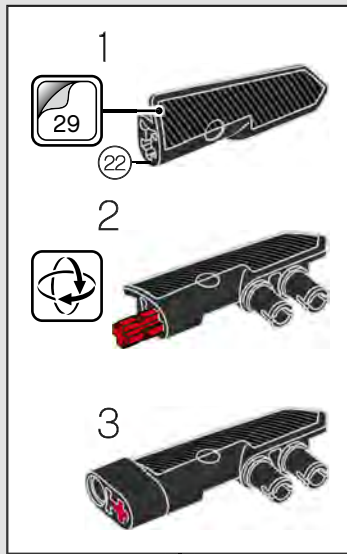


310

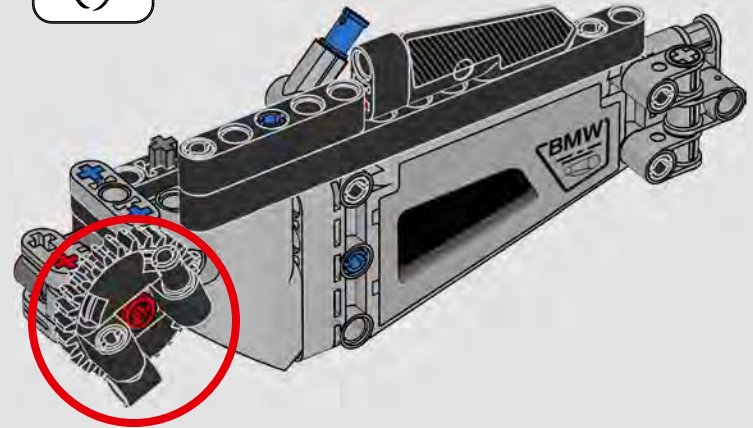
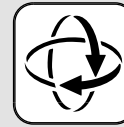




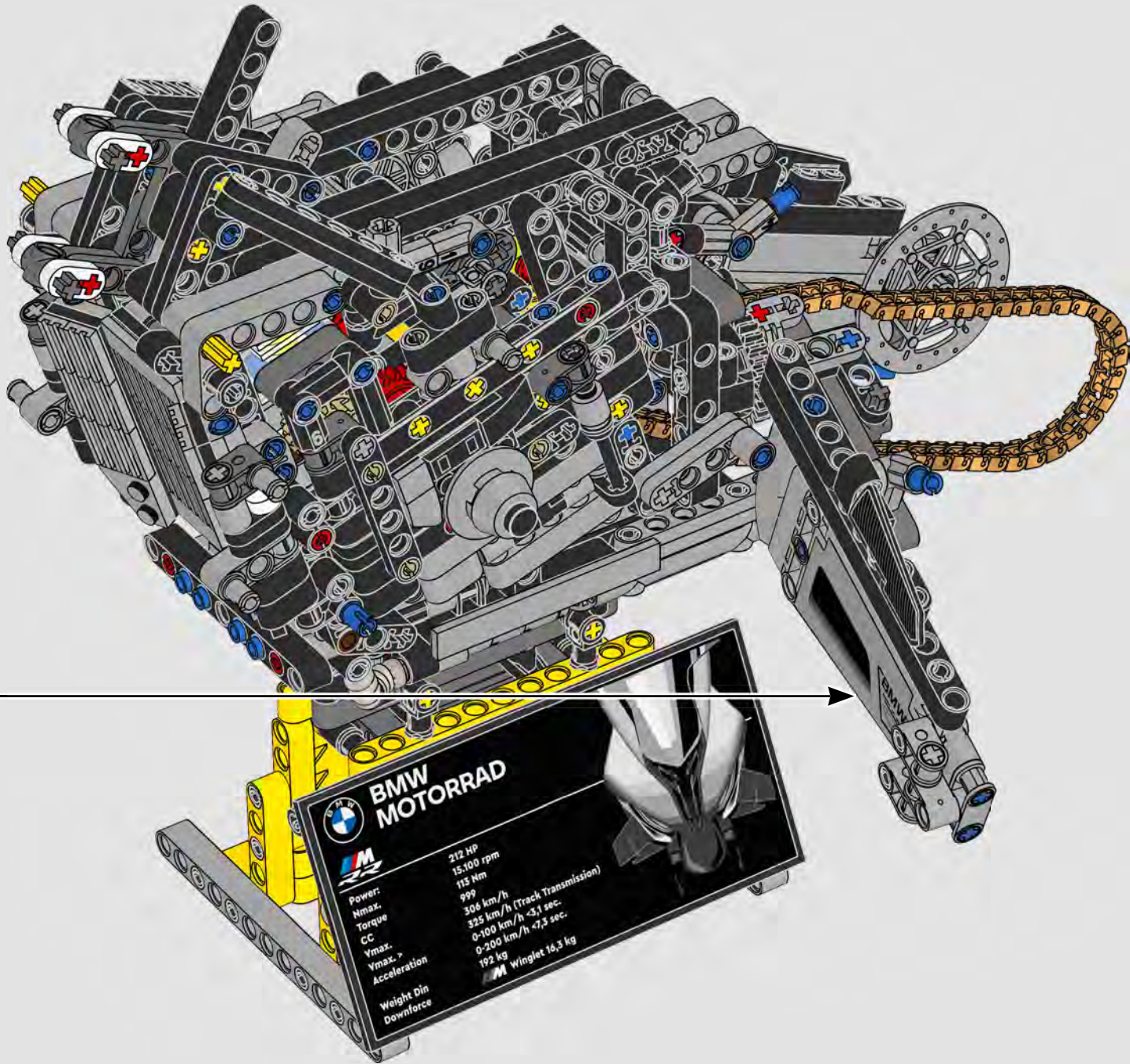
311



312

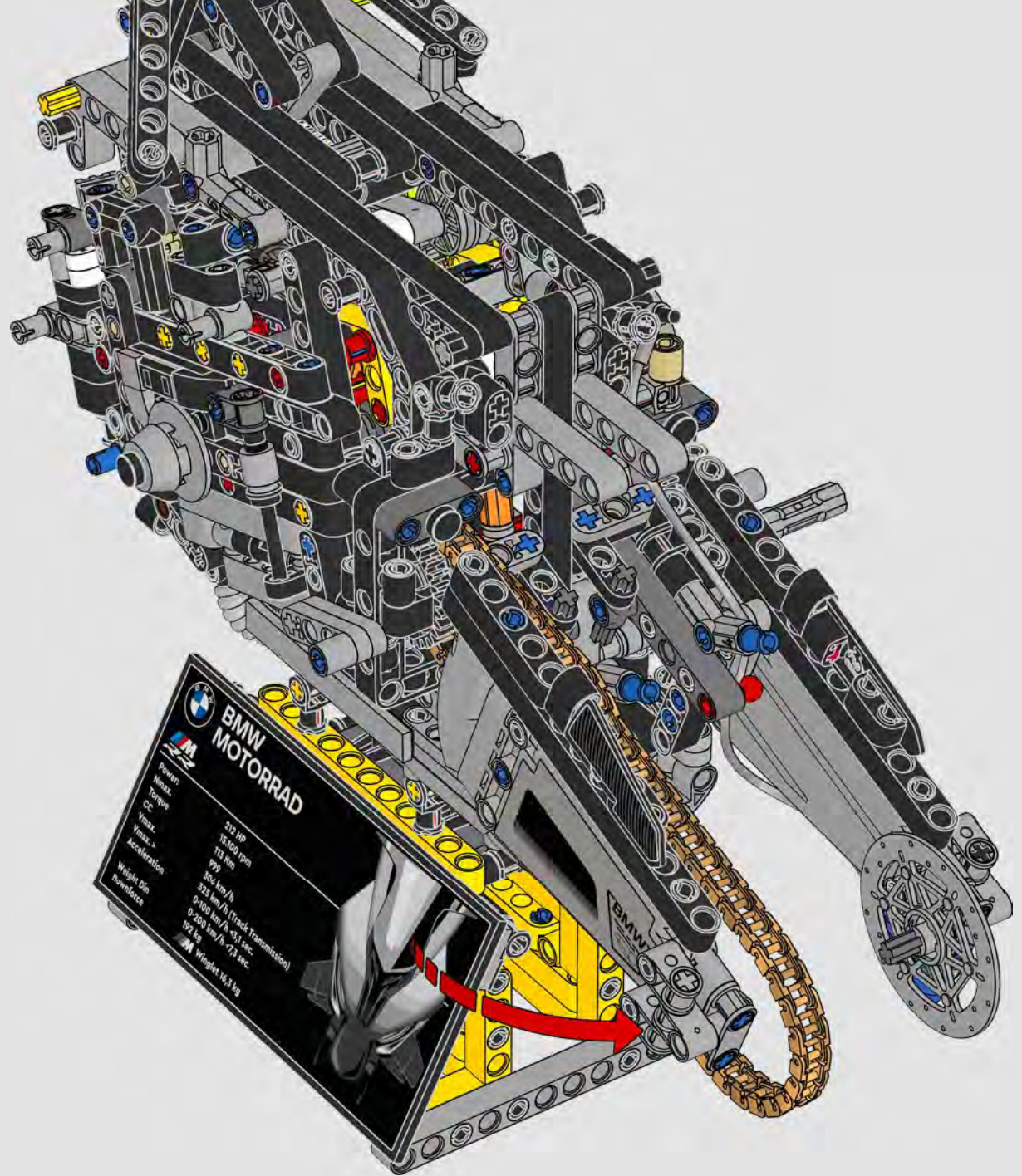
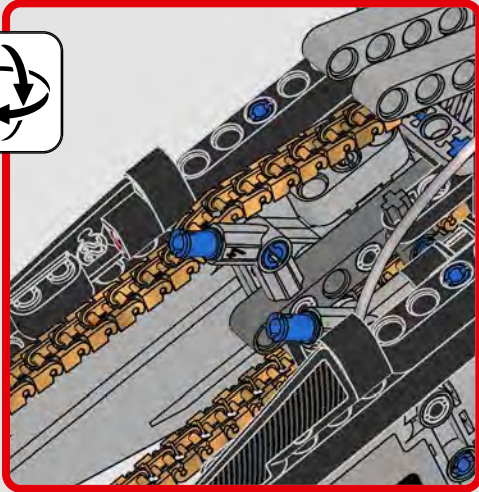


313



BMW MOTORRAD

Power:	212 HP
Nmax:	15,100 rpm
Torque	115 Nm
CC	999
Vmax.	306 km/h
Acceleration	325 km/h < 3,1 sec.
Weight Din	0-100 km/h < 7,3 sec.
Downforce	0-200 km/h < 7,3 sec.
	192 kg
	Winglet 16,3 kg

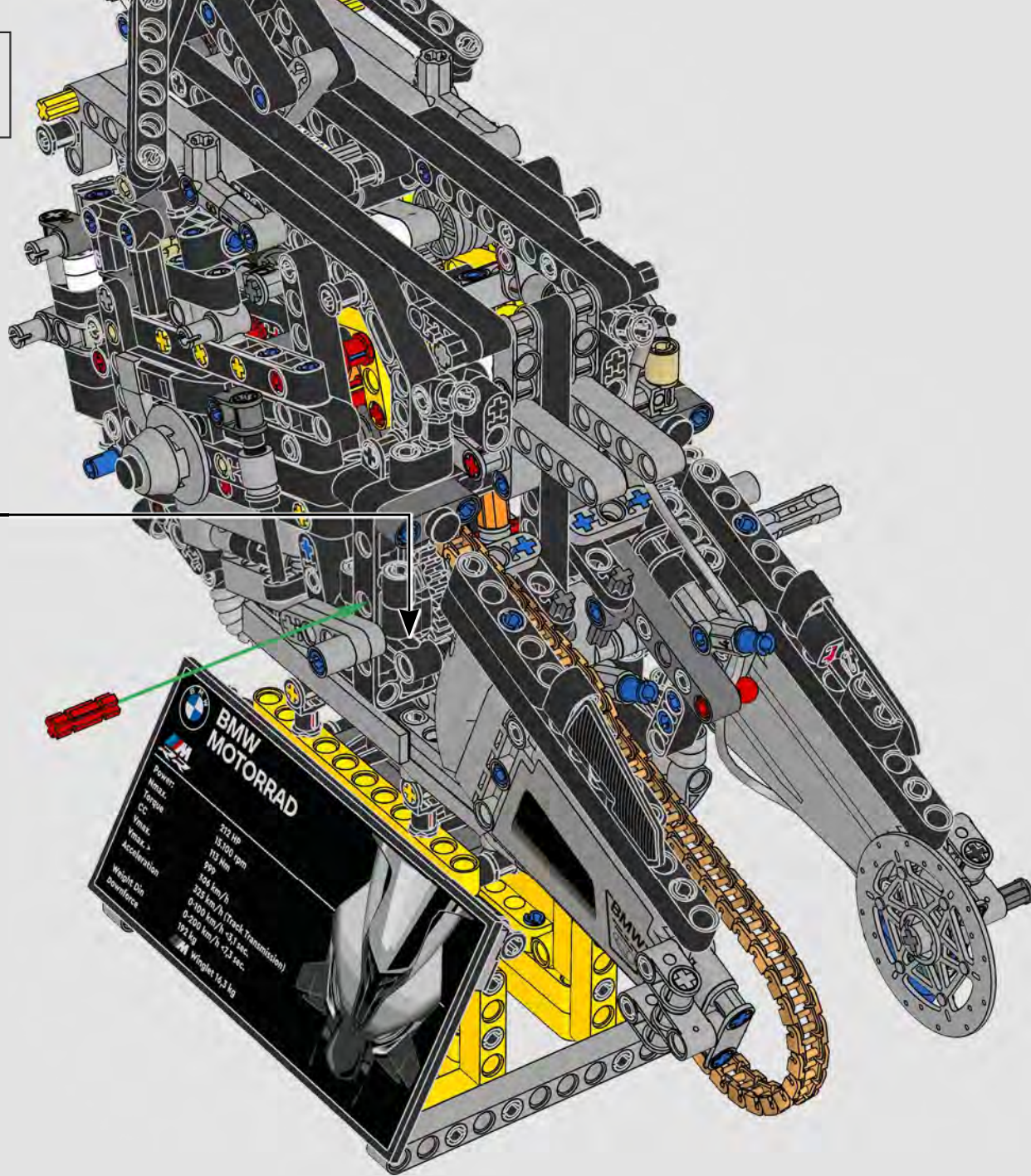


BMW MOTORRAD

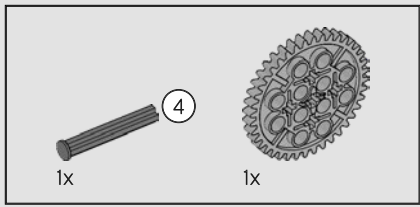
Power	312 HP
Max. Torque	15.100 rpm
CC	119 Nm
Vmax.	999
Acceleration	356 km/h
Weight	323 km/h (Track Transmission)
0-100 km/h	0-100 km/h / 3,1 sec.
0-200 km/h	0-200 km/h / 7,3 sec.
Weight	192 kg
Weight	Weight 16,3 kg



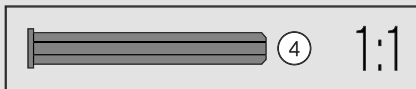
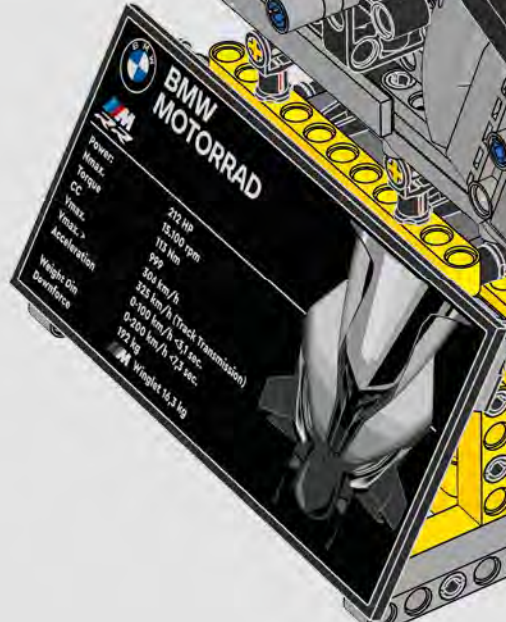
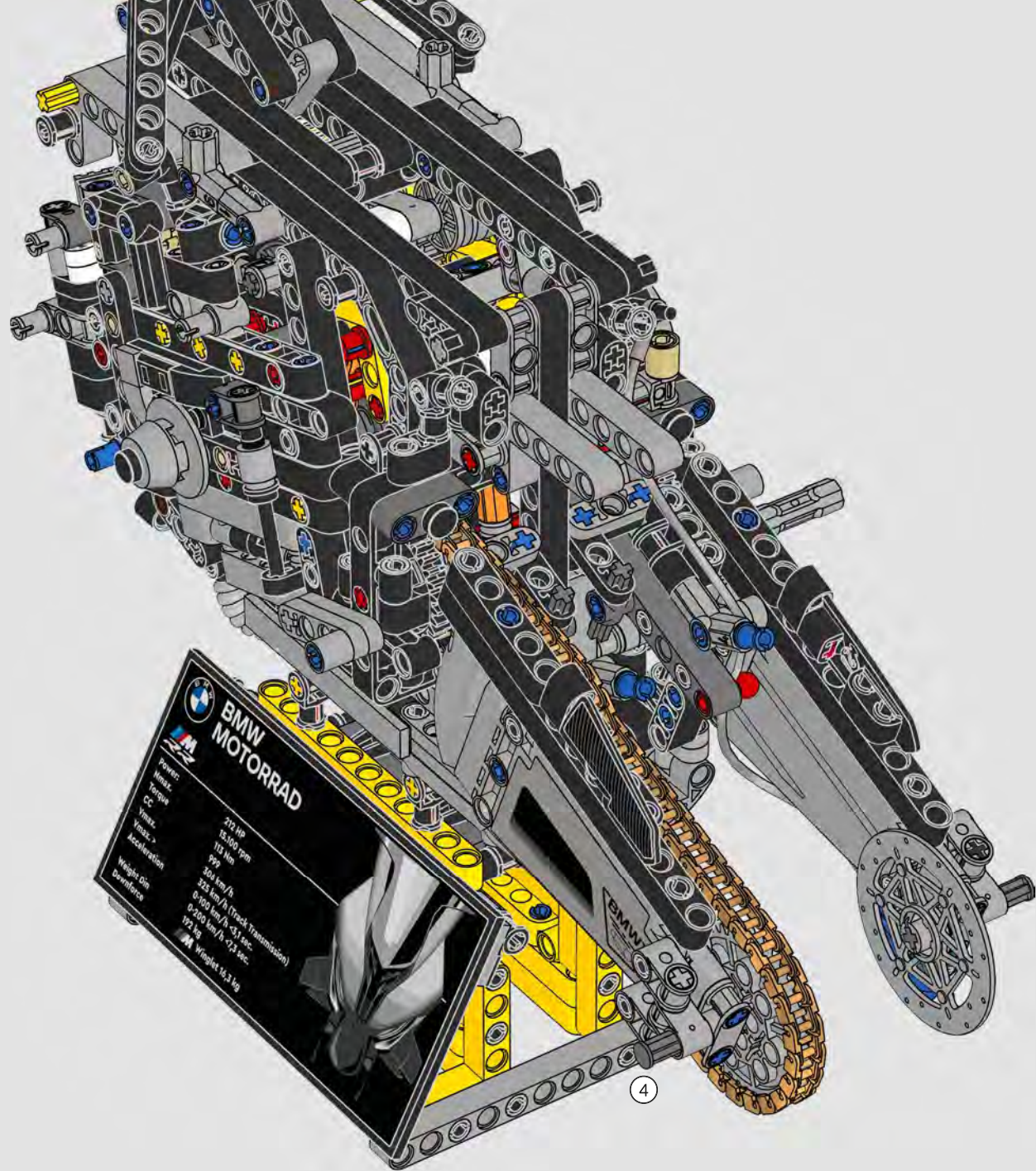
315

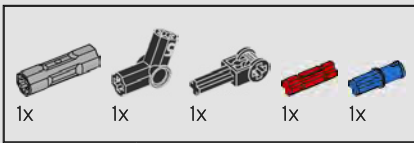


BMW MOTORRAD	
Power:	212 hp
Max. Torque:	15,100 rpm
CC:	112 km
Max. Speed:	999
Acceleration:	325 km/h
Weight (Dry):	323 km/h (Track Transmission)
Weight (Wet):	0-100 km/h $\leq 3.1 \text{ sec}$
0-200 km/h:	$\leq 12.3 \text{ sec}$
Weight (Wet):	197 kg
Weight (Wet):	197 kg

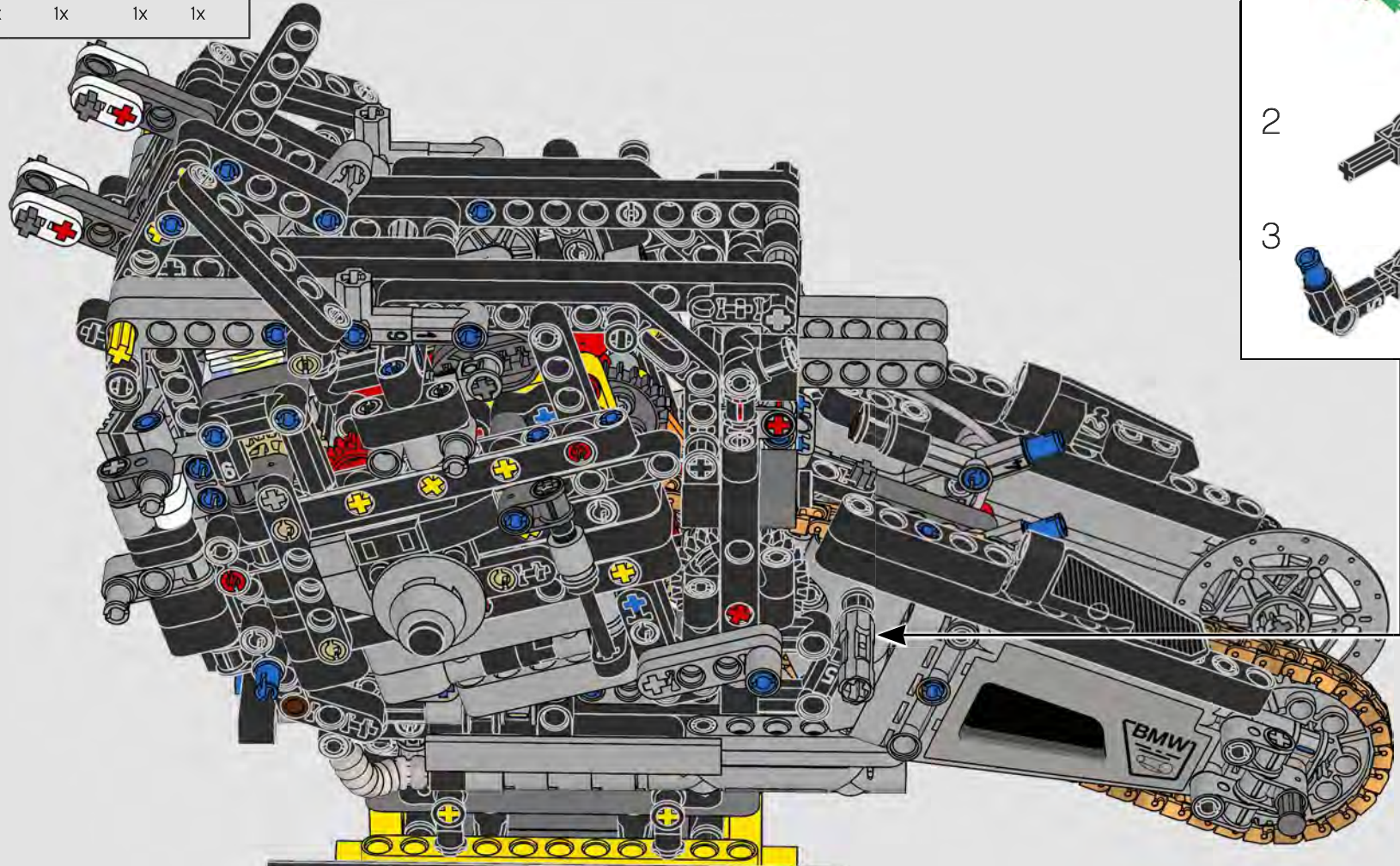


316



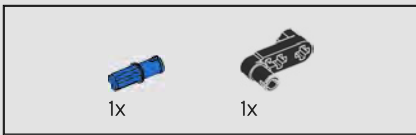


317

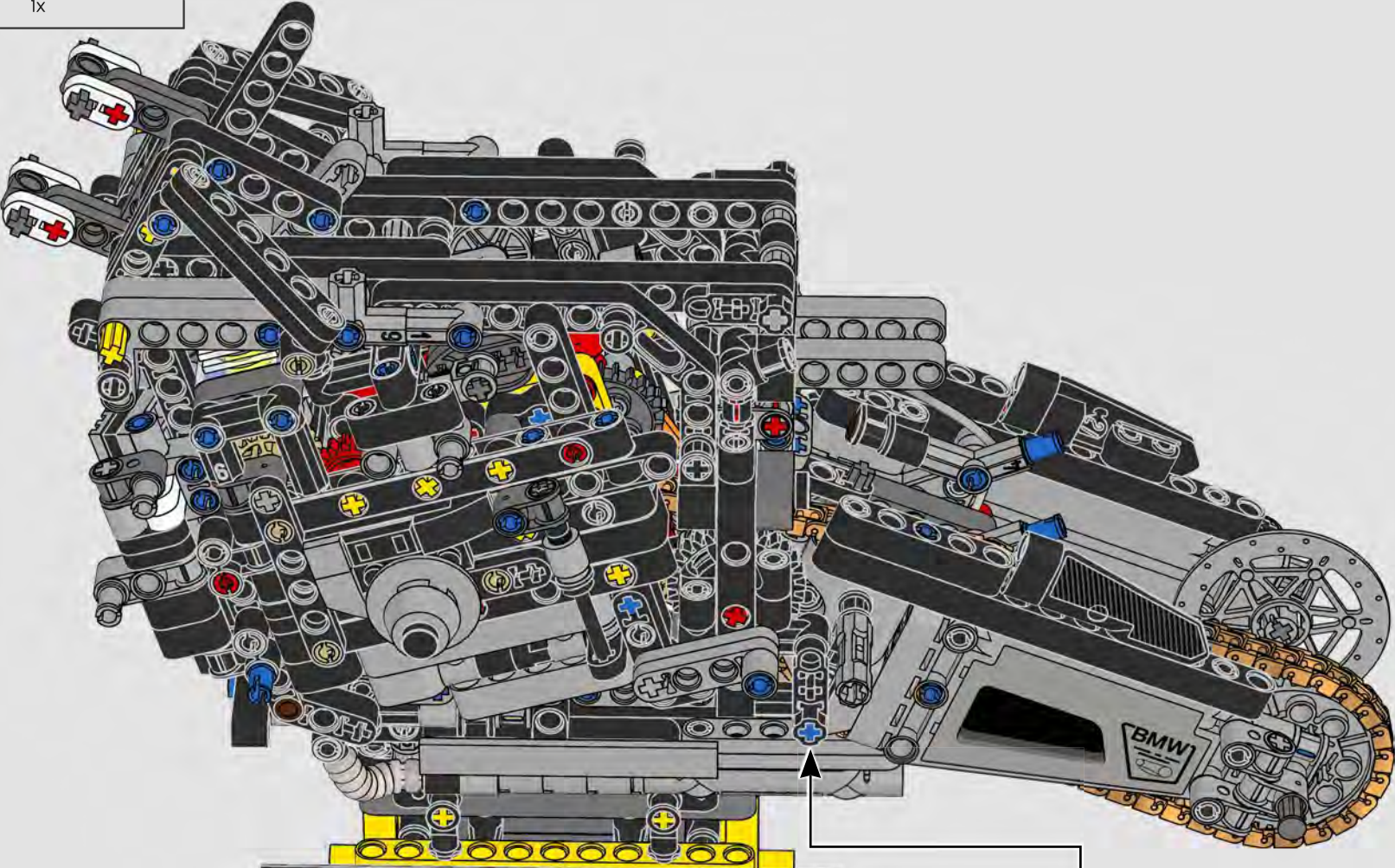


BMW
MOTORRAD

Power:	212 HP
Nmax:	15.100 rpm
Torque	113 Nm
CC	999
Vmax.	306 km/h
Vmax. >	325 km/h (Track Transmission)
Acceleration	0-100 km/h <3,1 sec.
	0-200 km/h <7,3 sec.
Weight Din	192 kg
Downforce	Winglet 16,3 kg



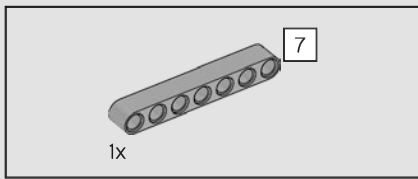
318



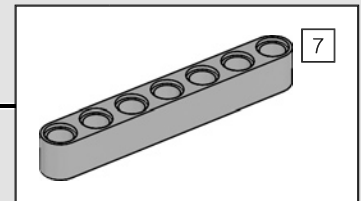
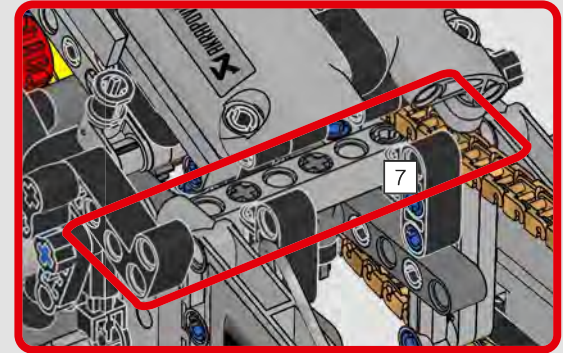
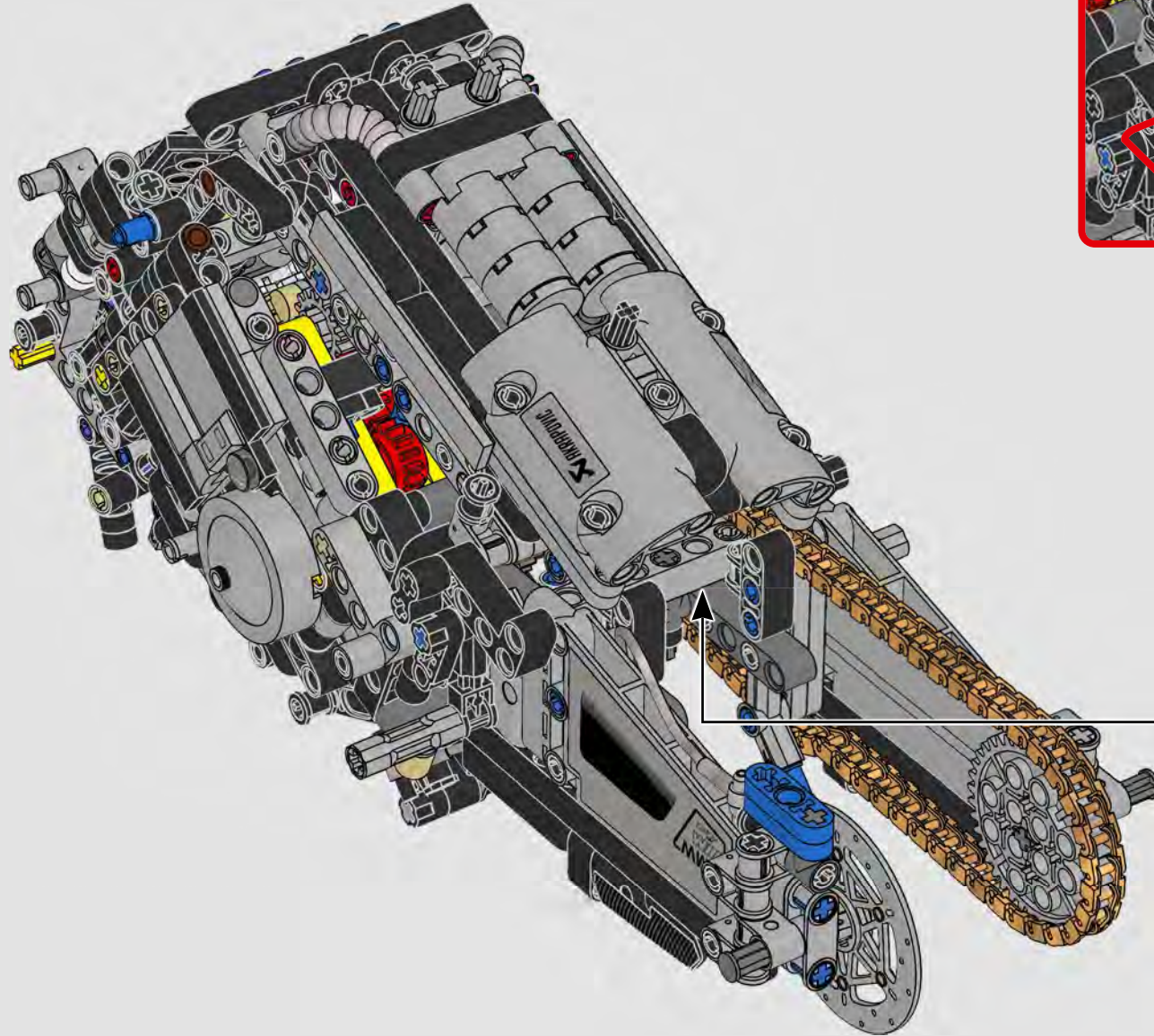
BMW
MOTORRAD

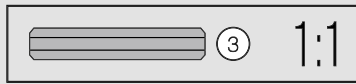
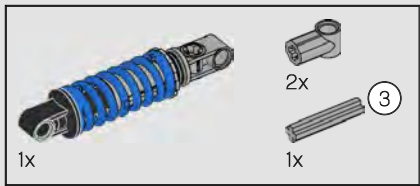
Power:	212 HP
Nmax.	15.100 rpm
Torque	113 Nm
CC	999
Vmax.	306 km/h
Vmax. >	325 km/h (Track Transmission)
Acceleration	0-100 km/h <3,1 sec.
	0-200 km/h <7,3 sec.
Weight Din	192 kg
Downforce	Winglet 16,3 kg



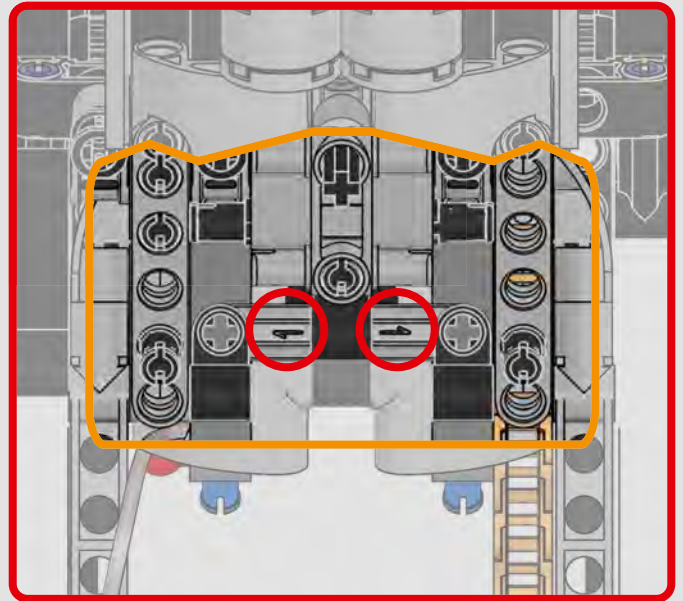
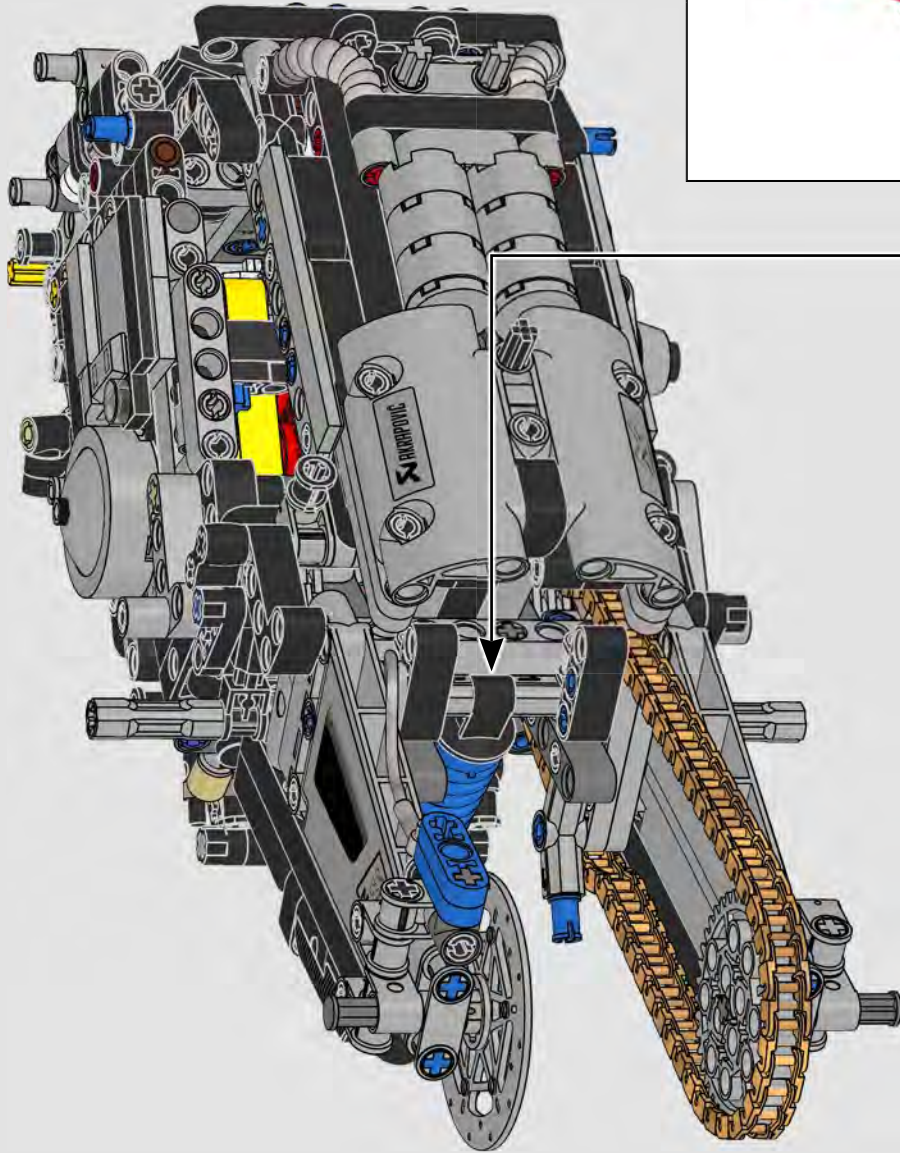
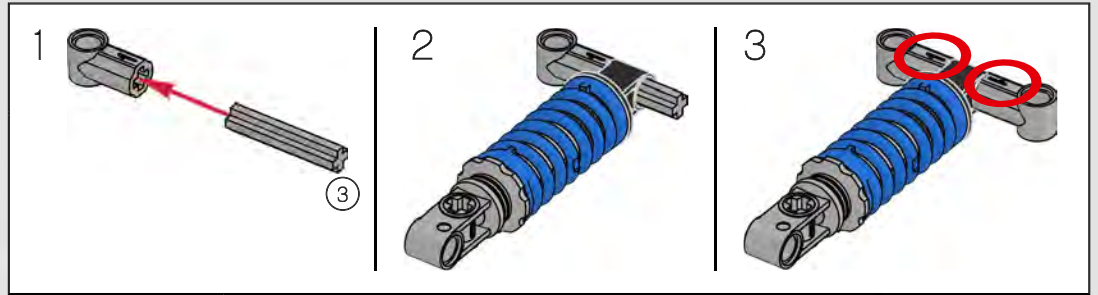


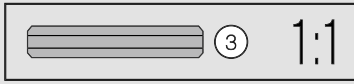
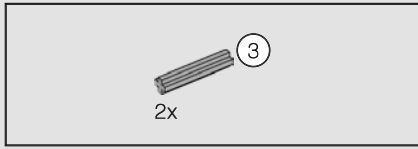
319



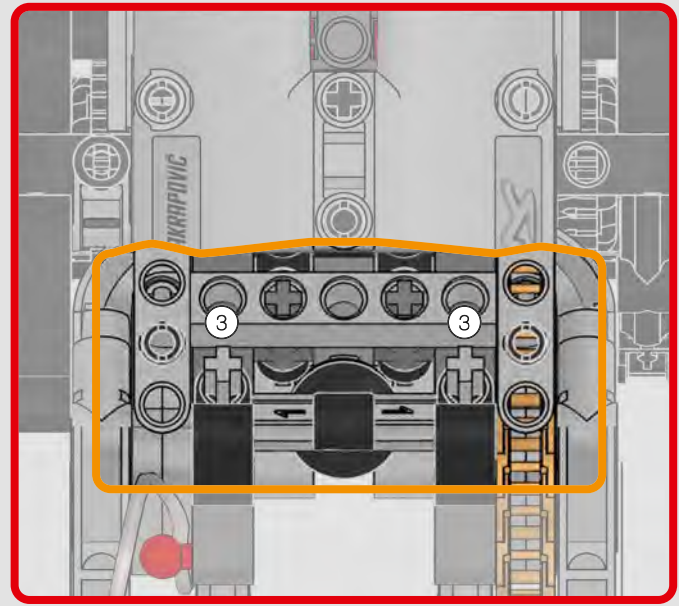
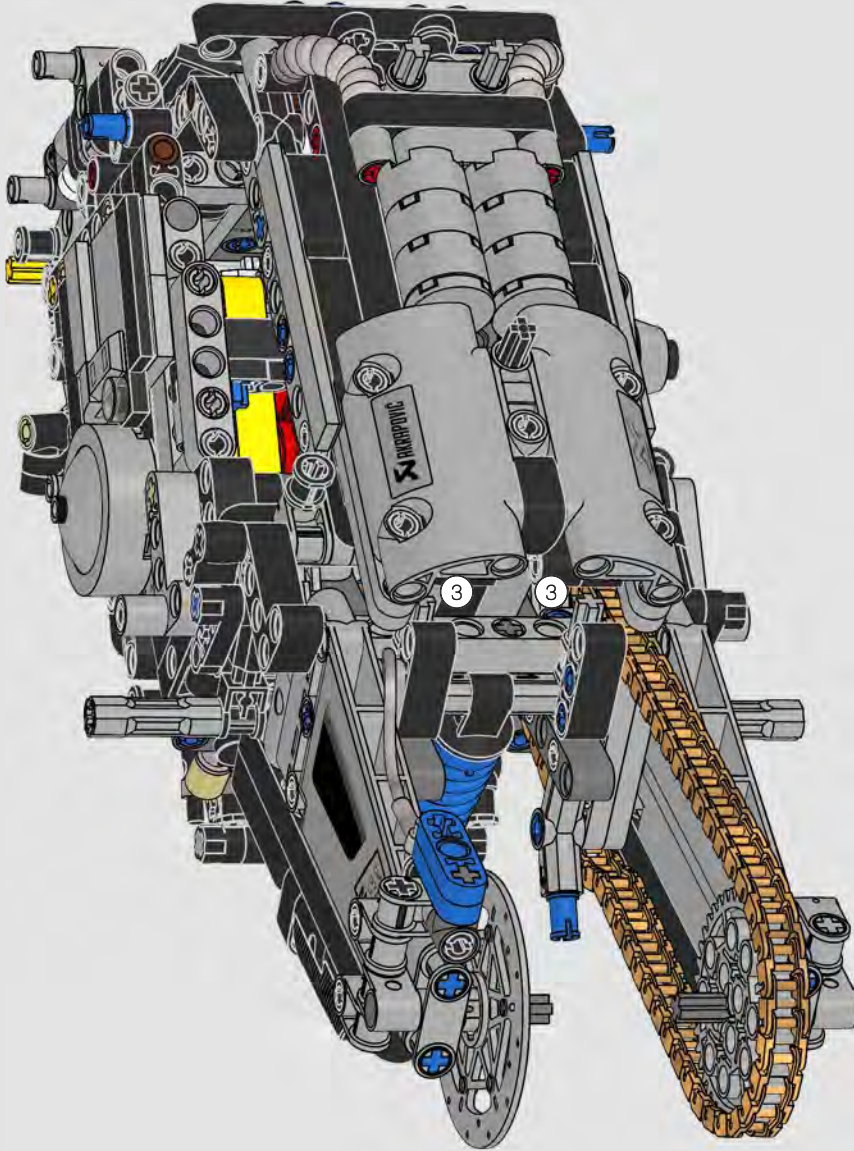


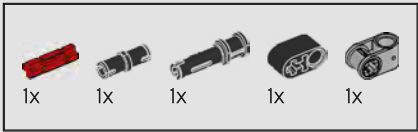
320



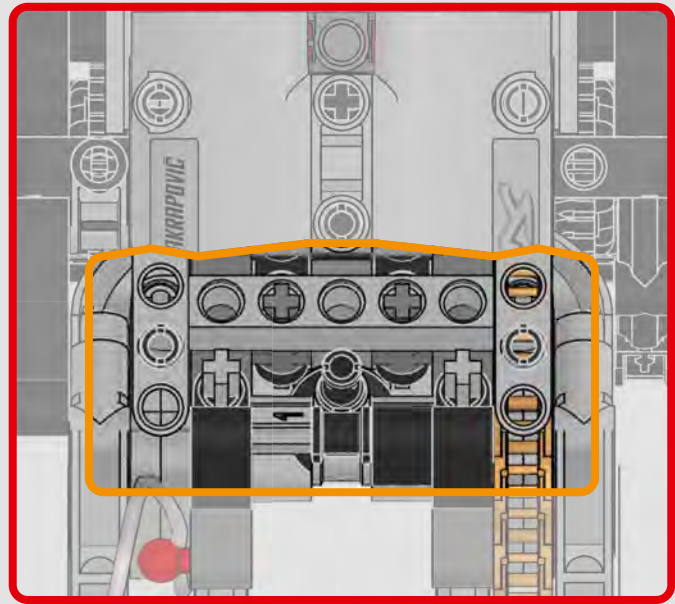
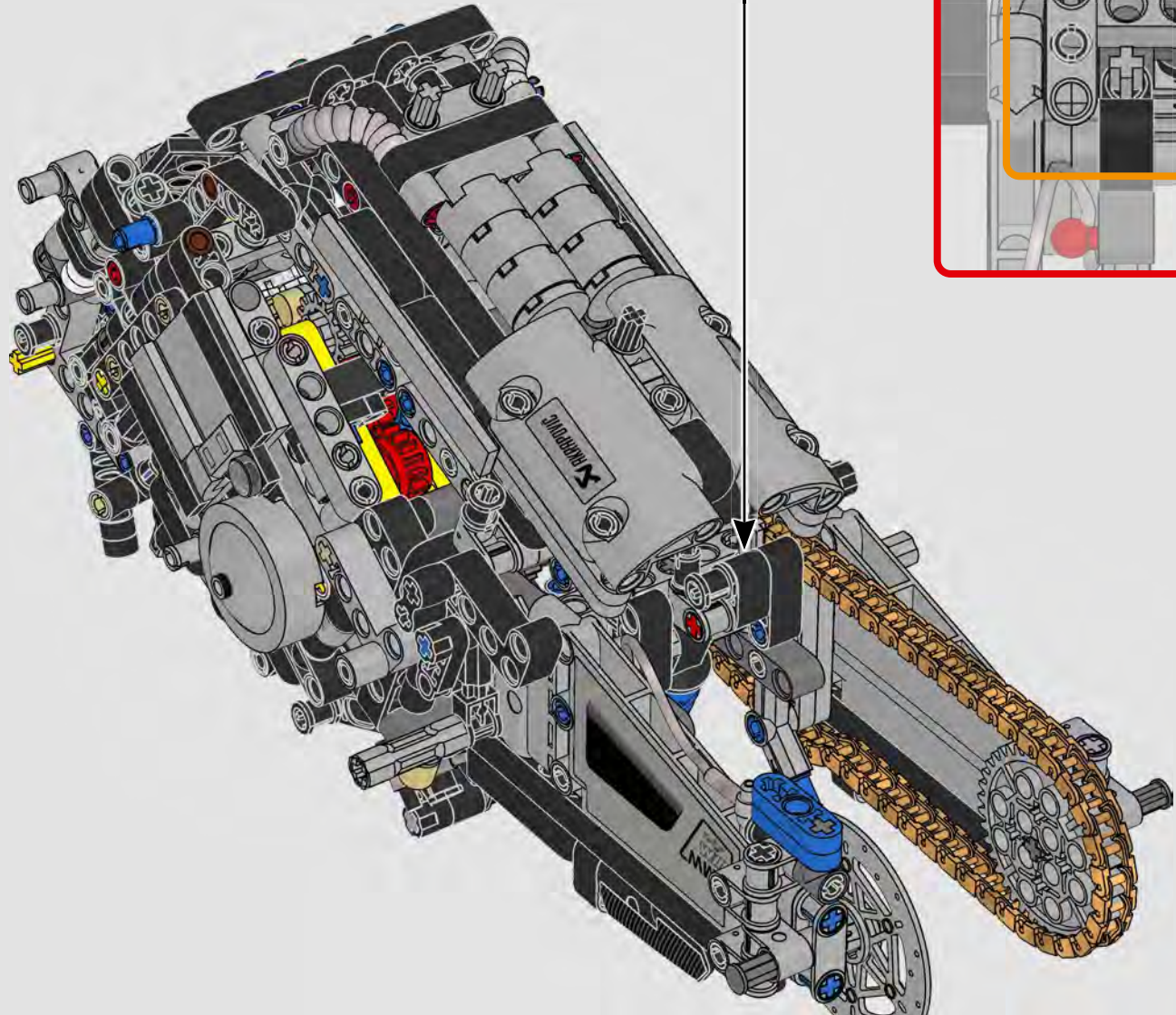
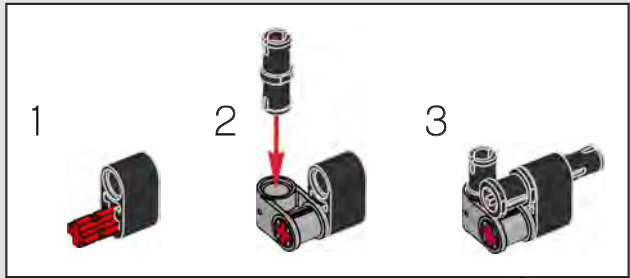


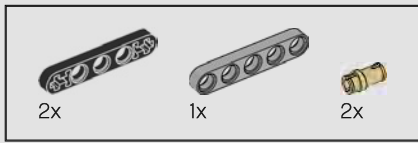
321



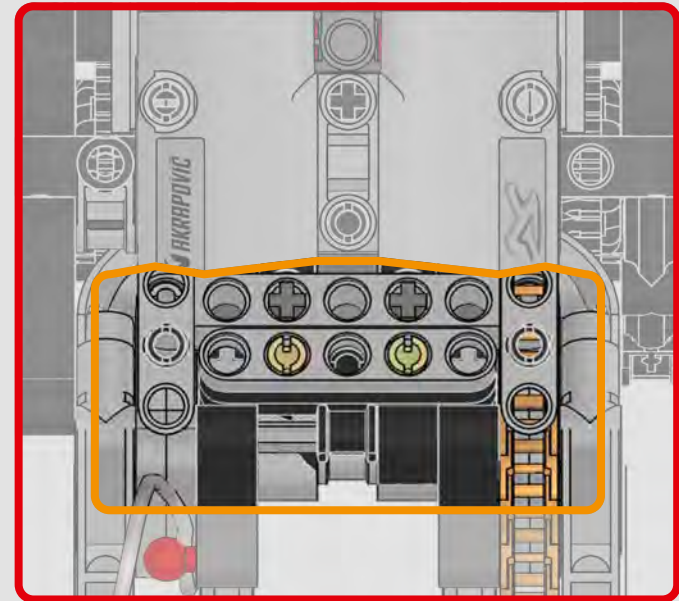
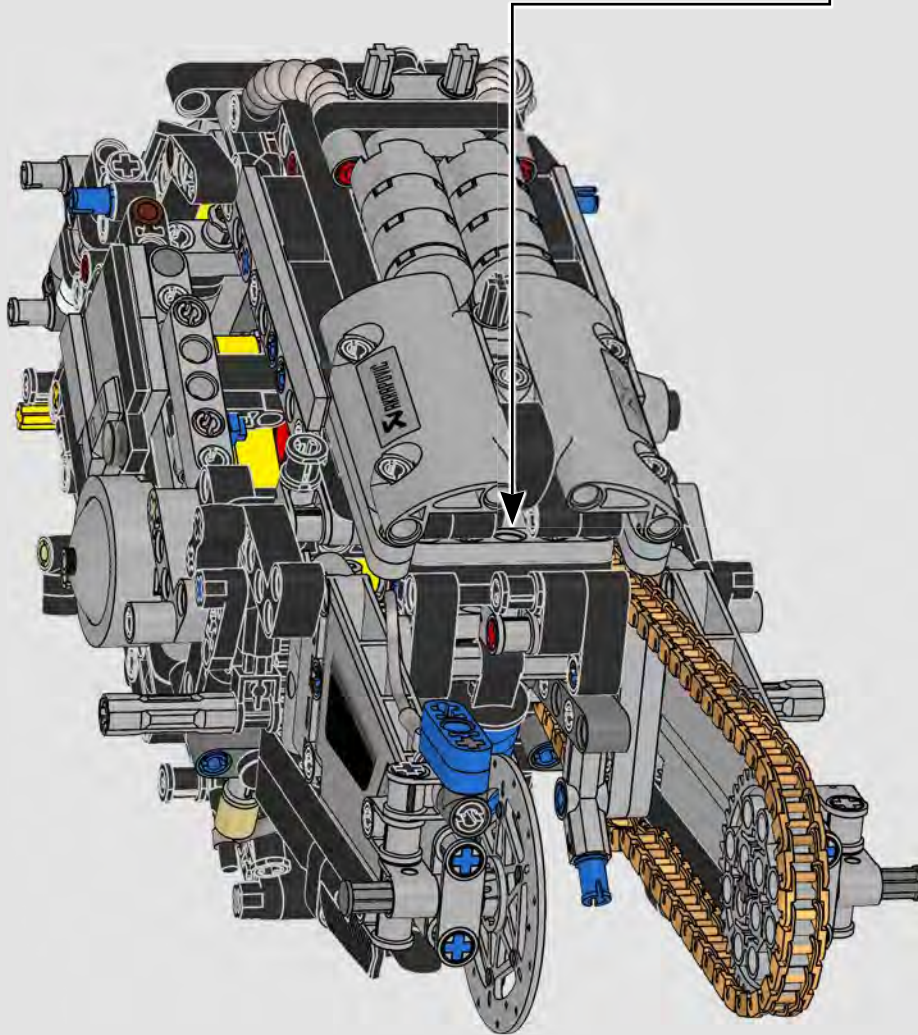
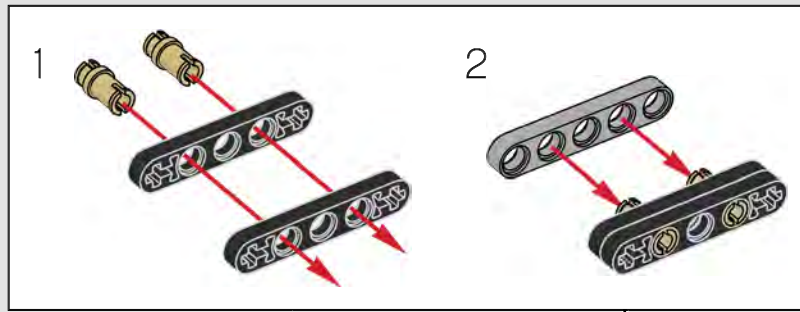


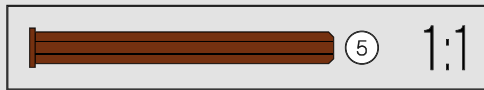
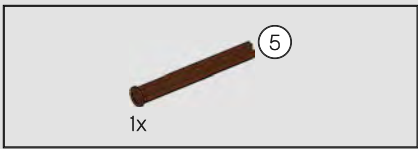
322



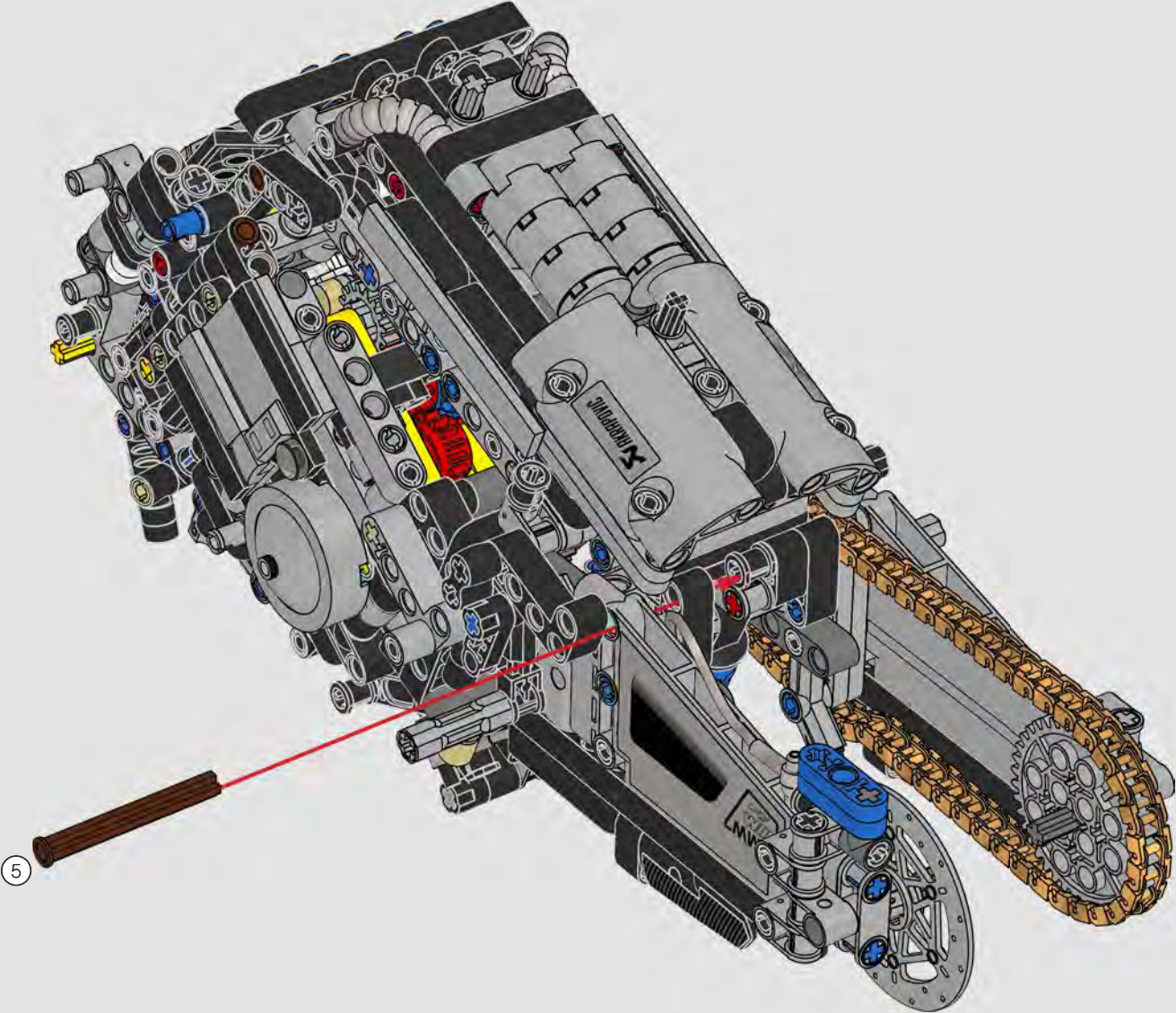


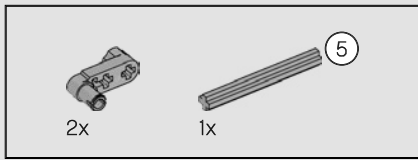
323



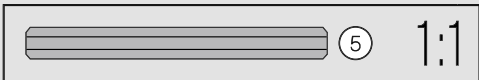
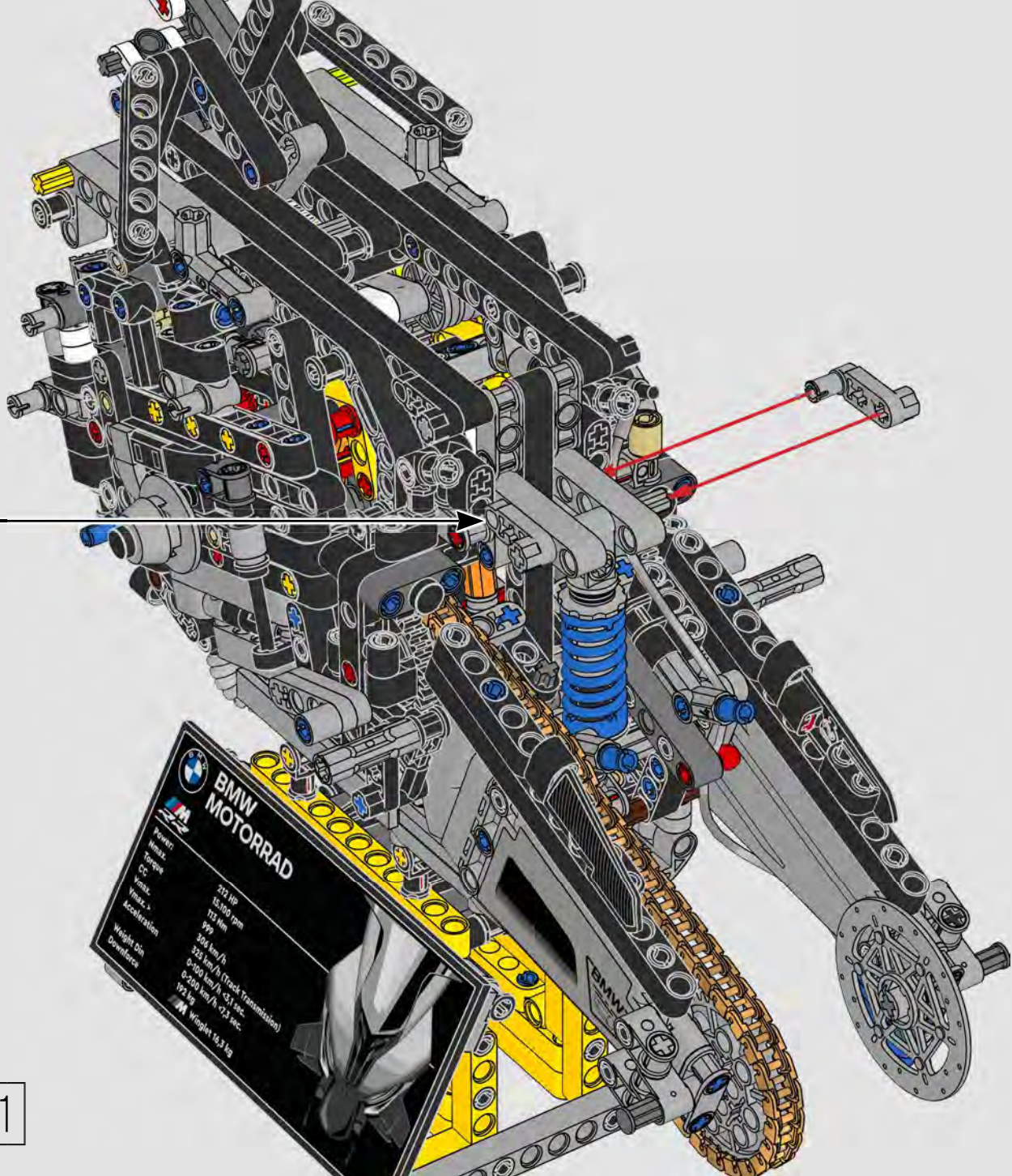
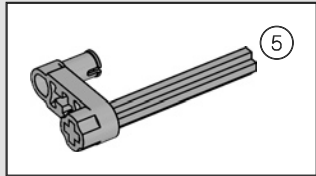


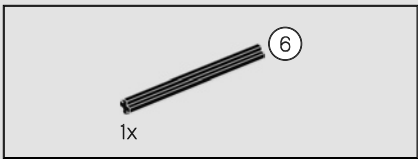
324



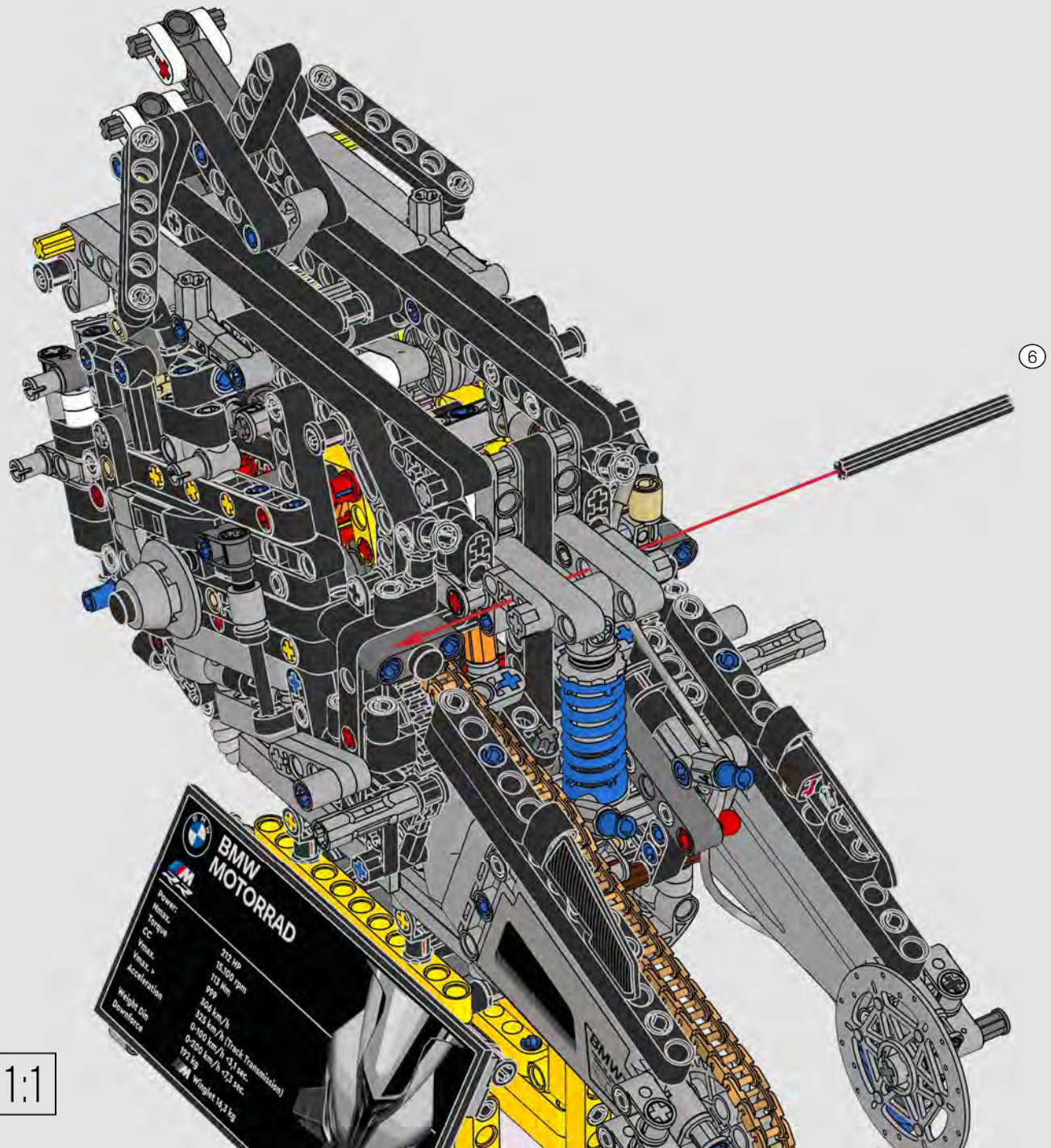


325



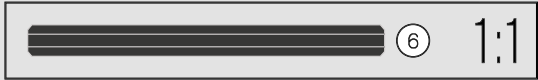


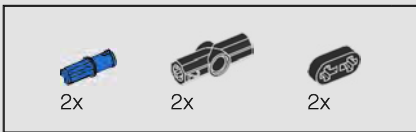
326



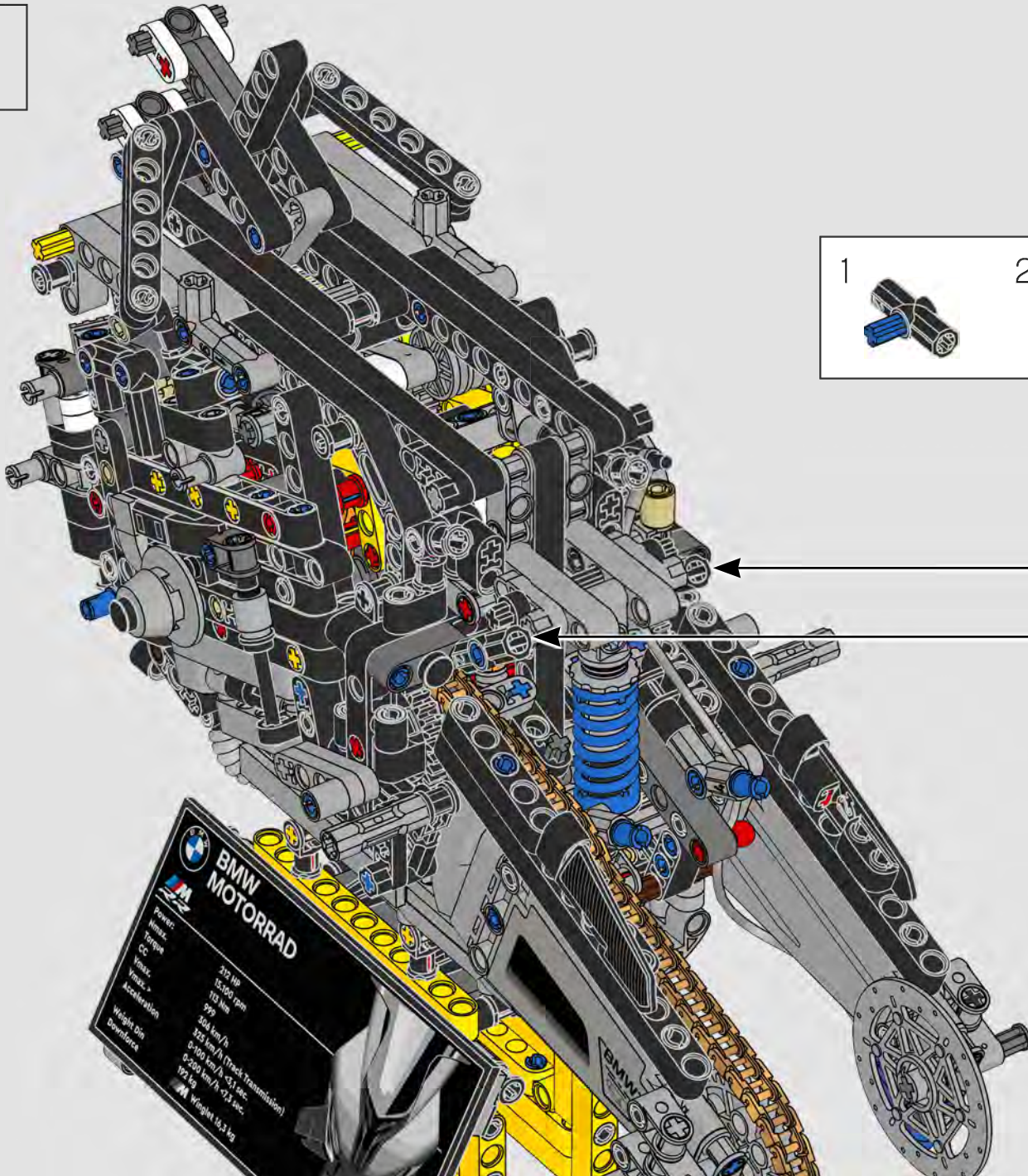
BMW MOTORRAD

Power	212 HP
Max. torque	15,100 rpm
CC	713 cm ³
v _{max}	99 km/h
v _{max} + acceleration	304 km/h
Weight (Dry)	323 kg (1) (Track transmission)
Downforce	0-100 km/h < 3.1 sec.
	0-200 km/h < 7.1 sec.
	172 kg
	Weight 14.3 kg

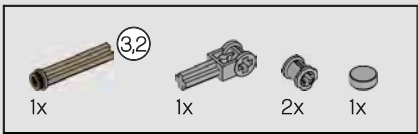




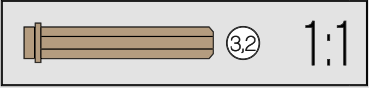
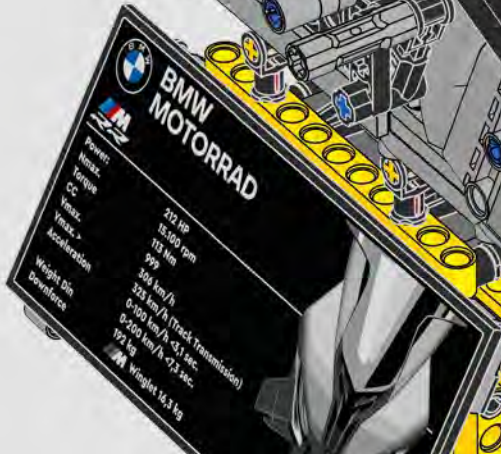
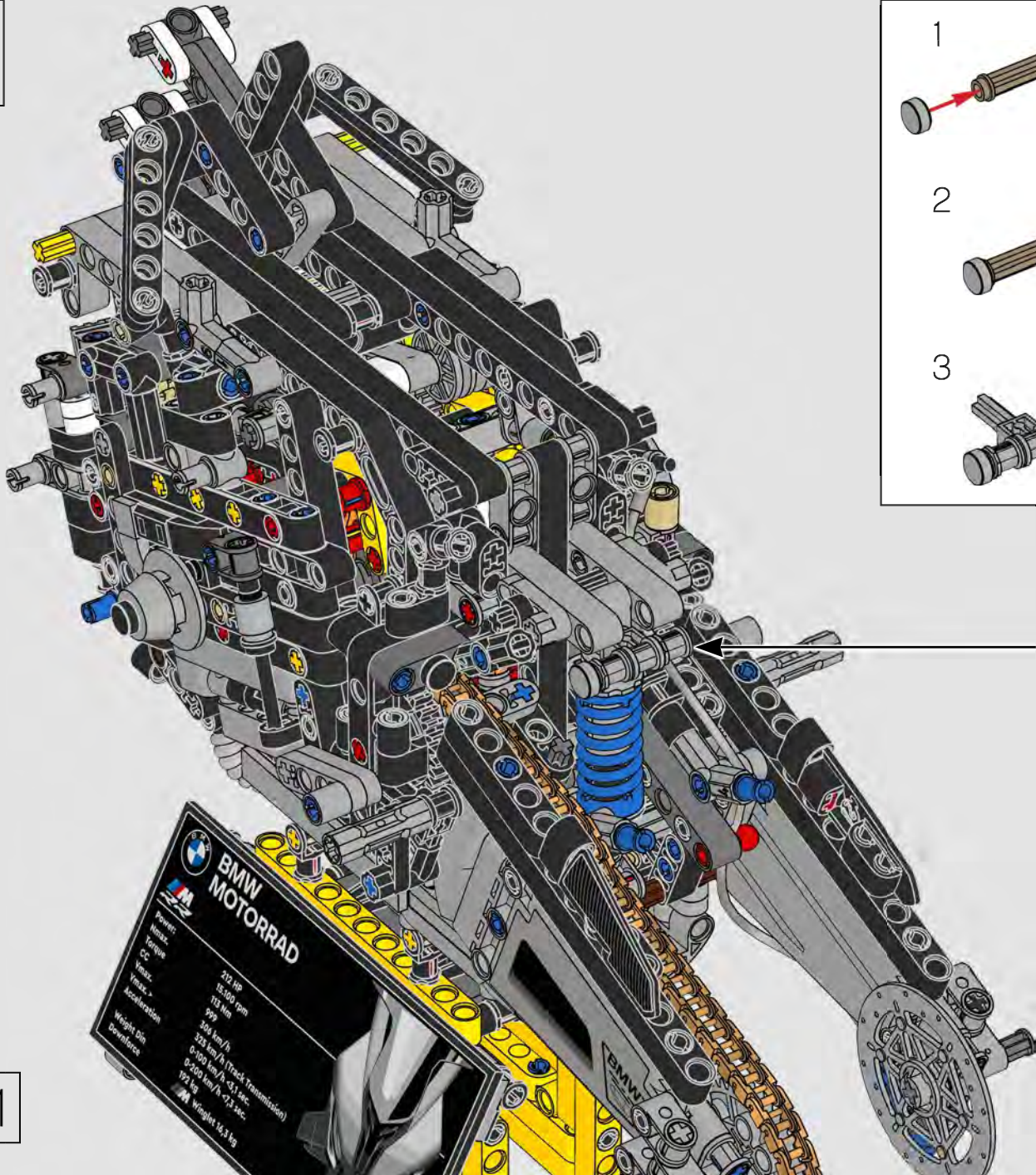
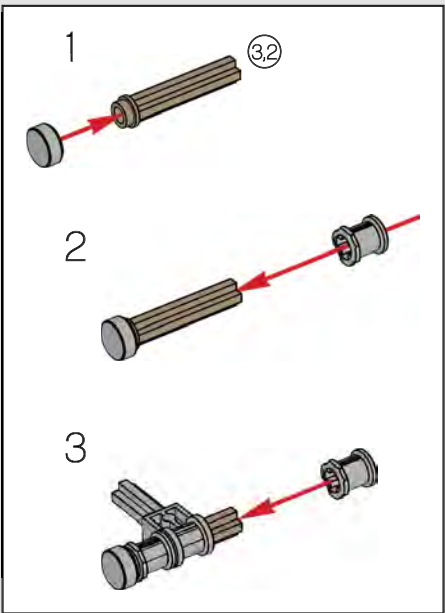
327

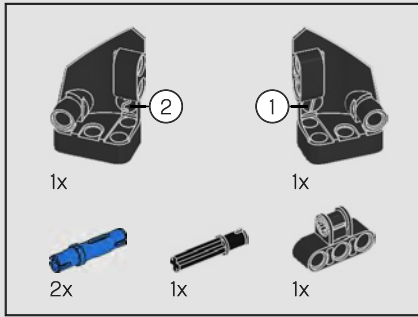


BMW MOTORRAD	
Power	217 HP
Max. Torque	15.100 rpm
CC	1010 cm ³
Max. Velocity	204 km/h
Max. Acceleration	999
Weight (Dry)	192 kg
Downforce	0-100 km/h (1st Gear Transmission) 0-200 km/h - 3.1 sec. 0-200 km/h - 7.3 sec.
	Weight 19.3 kg

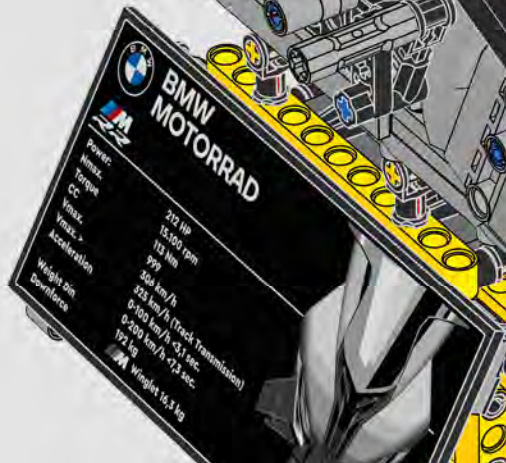
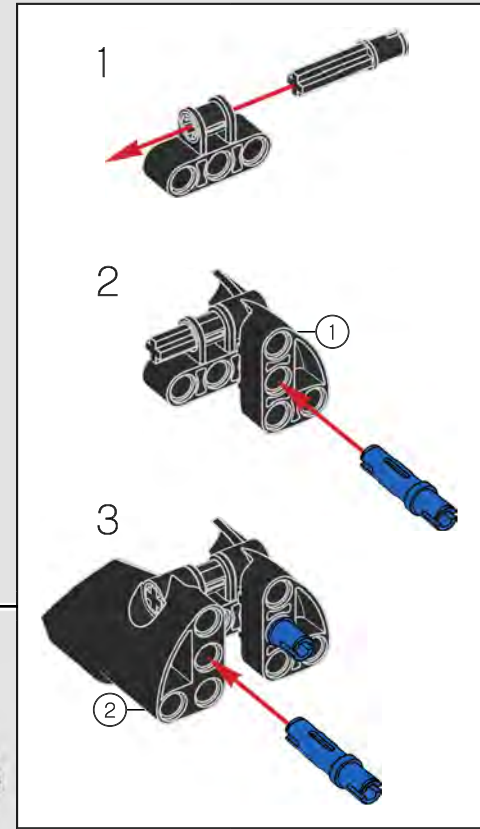
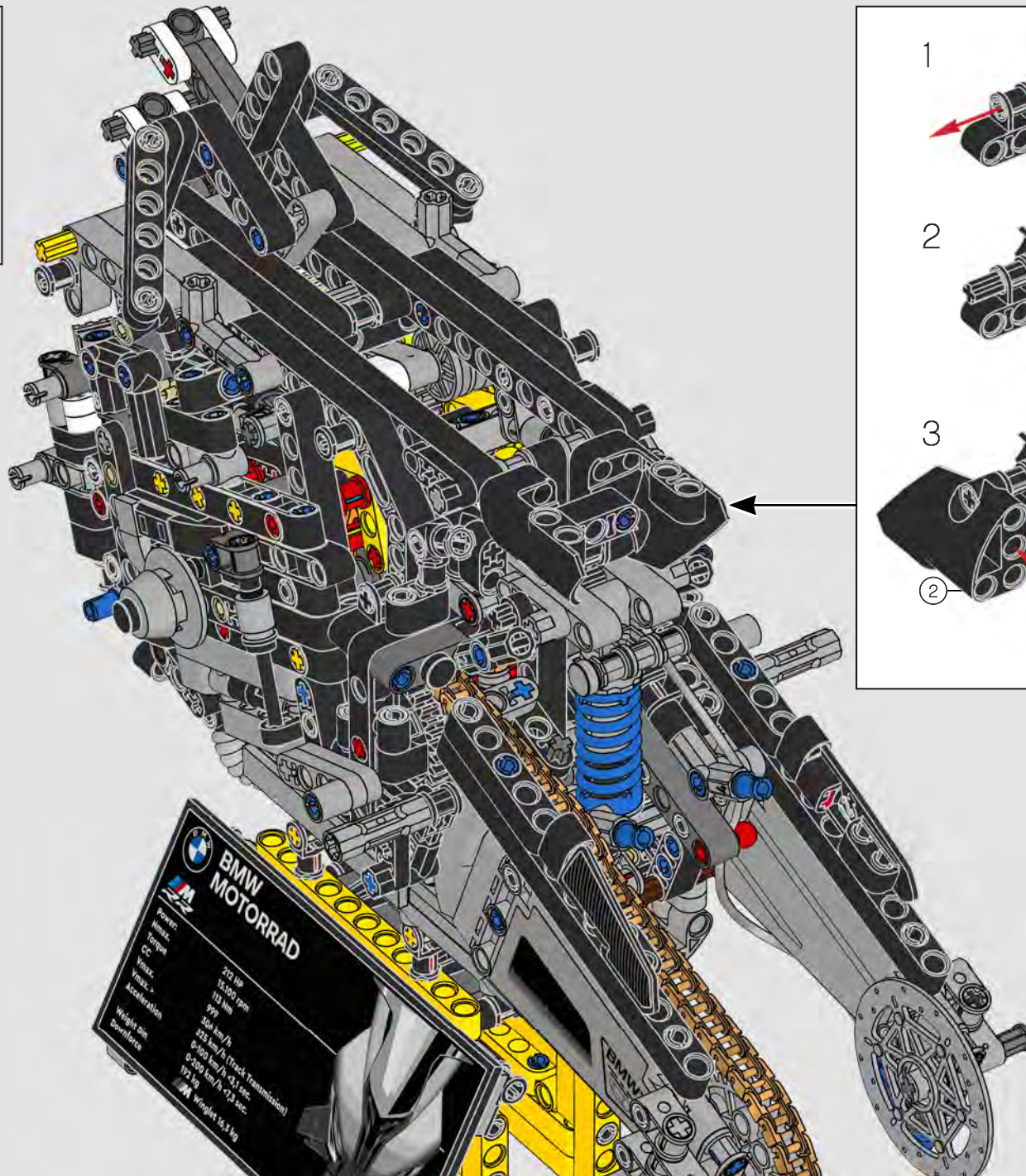


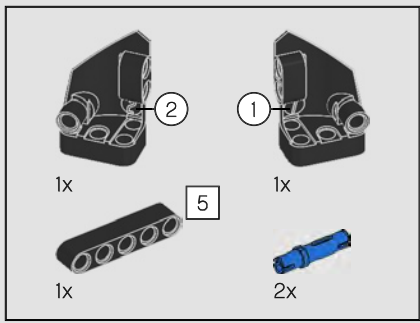
328



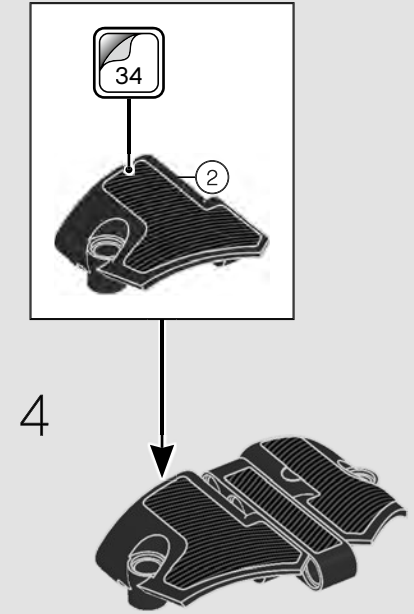
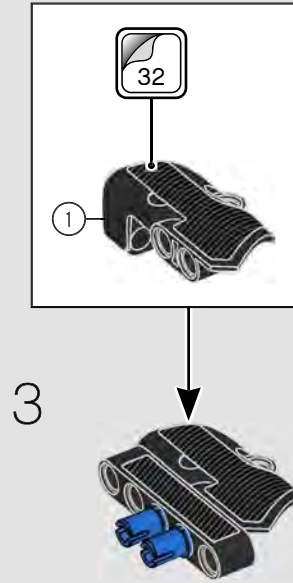
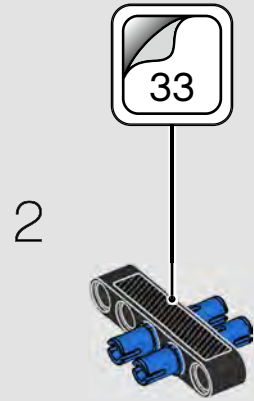
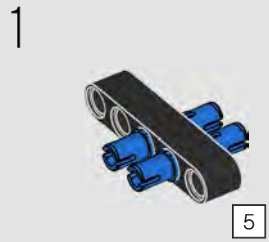


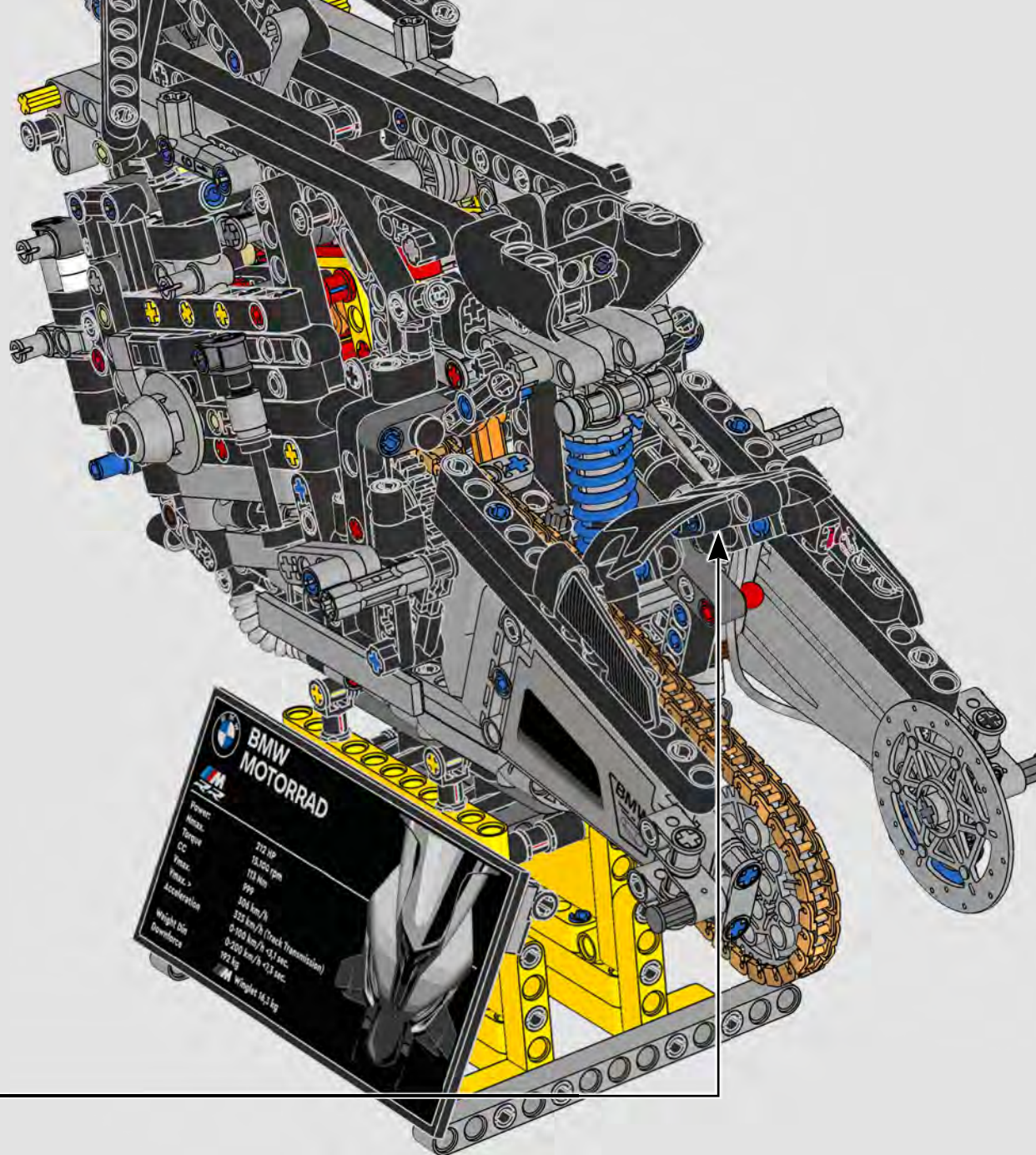
329





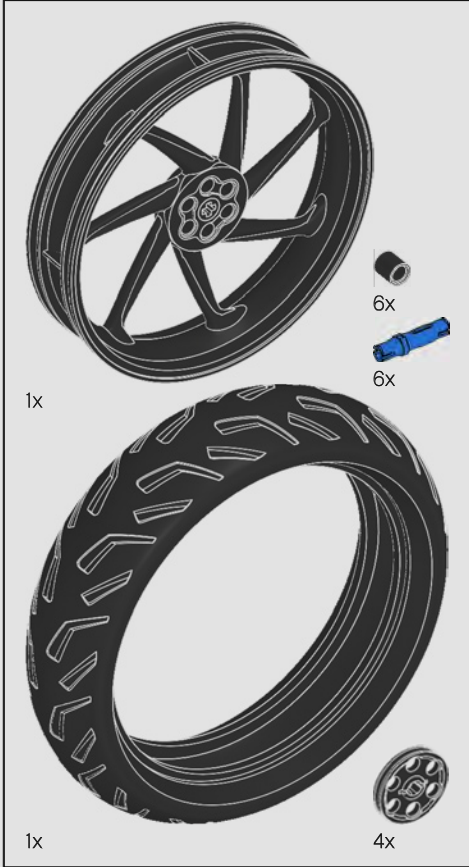
330



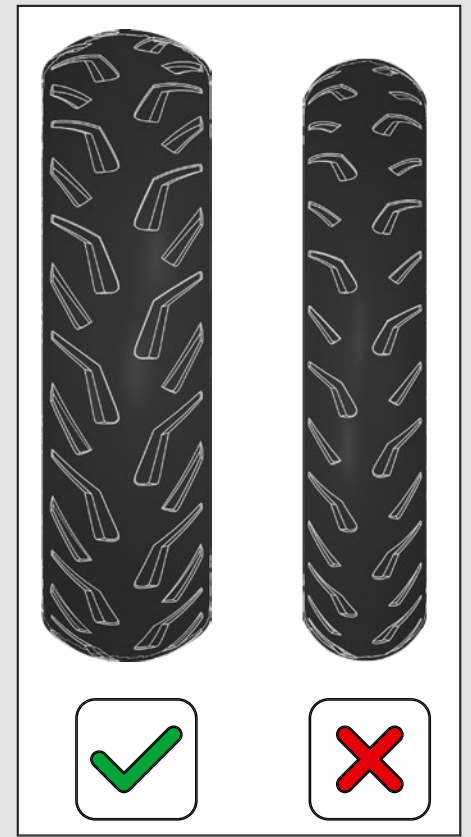
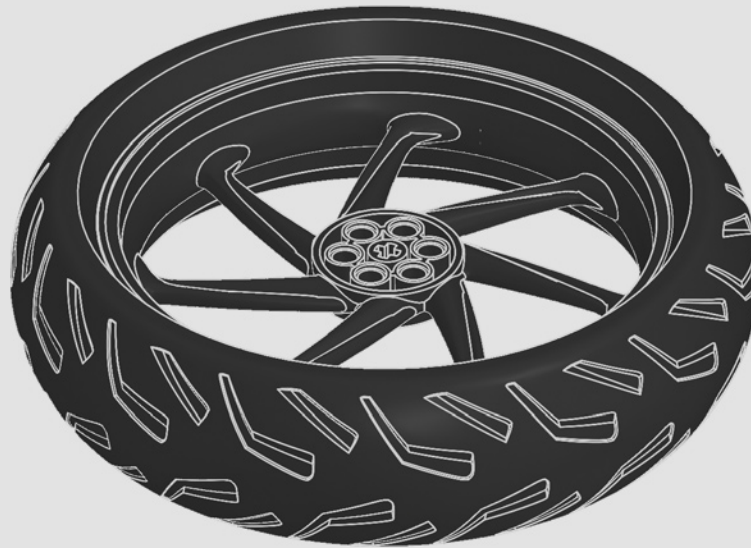


BMW MOTORRAD

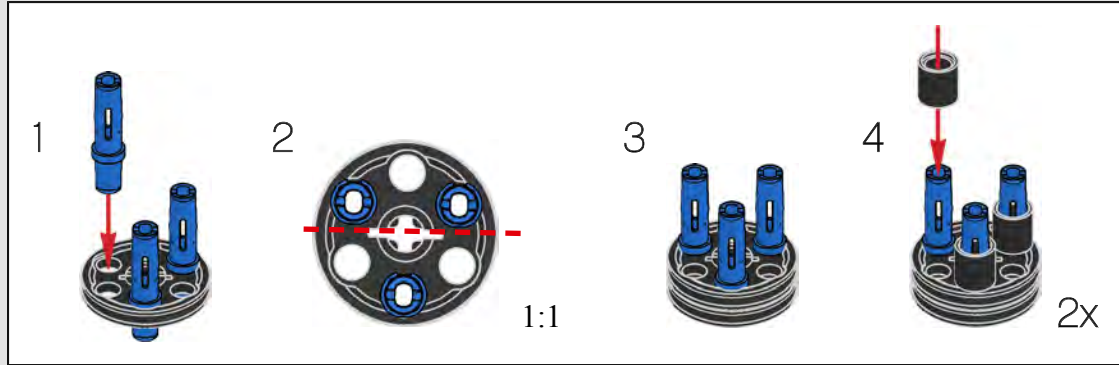
Power: 117 HP
Torque: 13,500 rpm
CC: 1170
Vmax: 173 km/h
Vmax > 199
Acceleration: 304 km/h
325 km/h (Track Transmission)
Weight Dry: 0-100 km/h: 0.1 sec
0-200 km/h: 0.1 sec
0-300 km/h: 0.1 sec
Weight: 16.1 kg



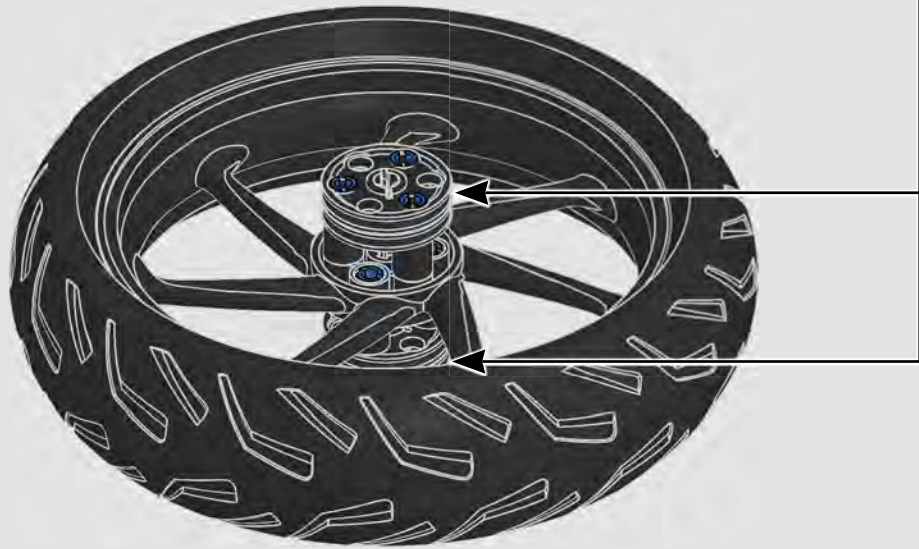
1

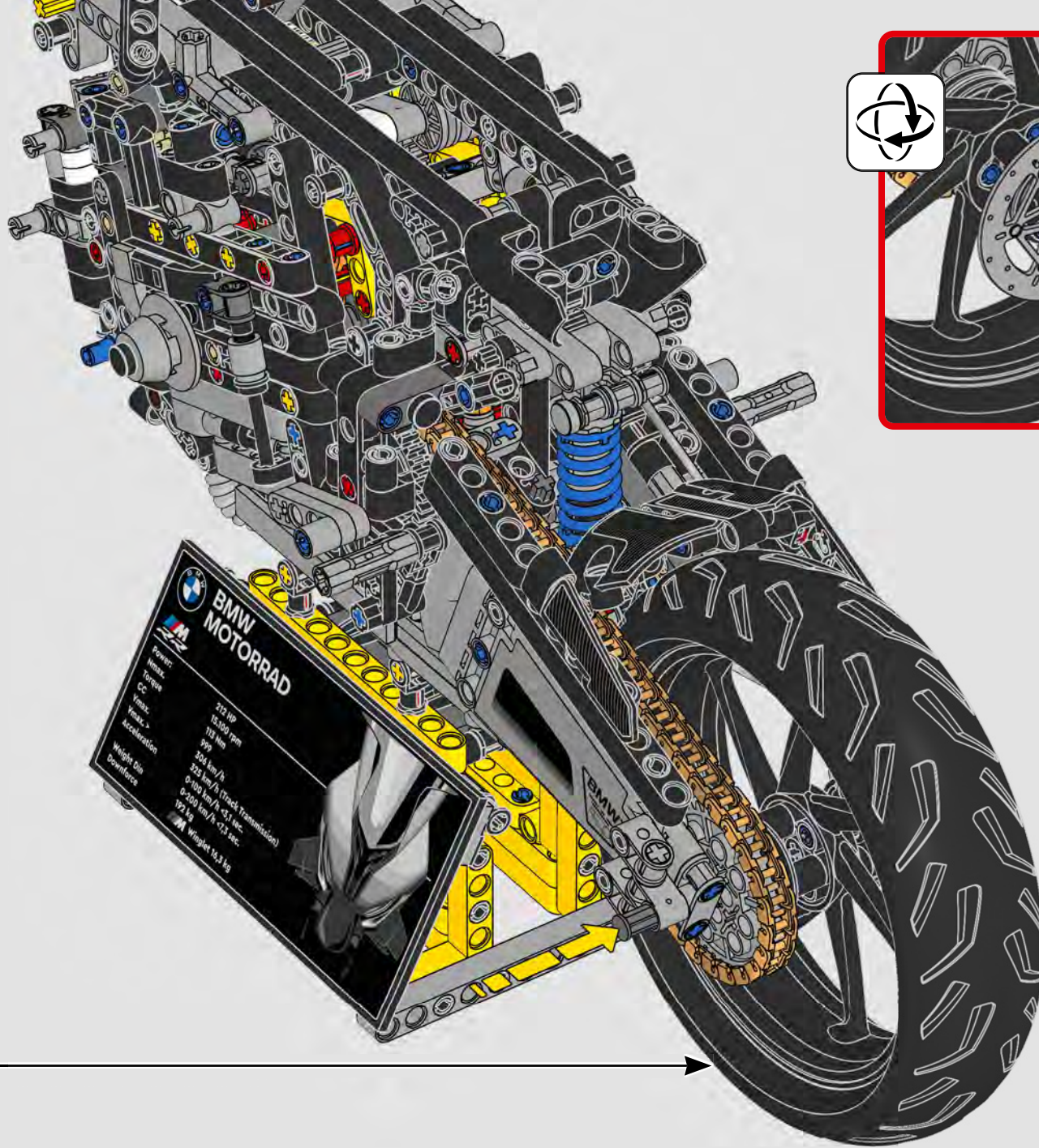


331



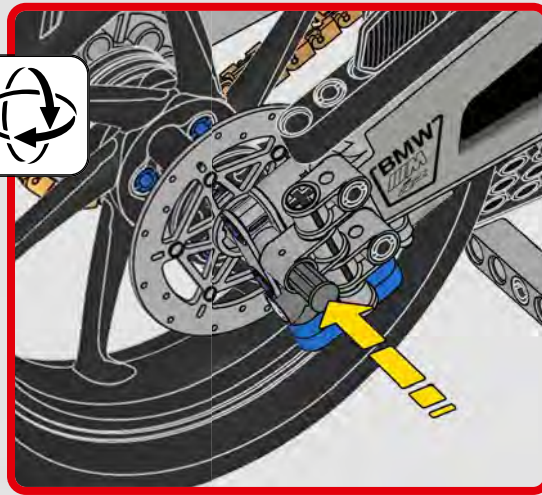
2

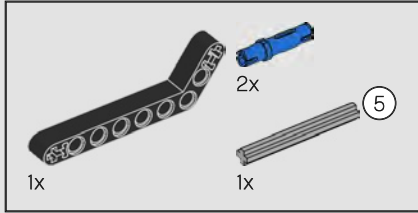




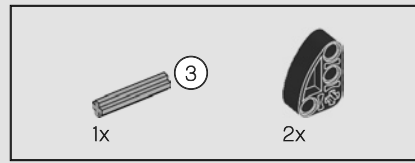
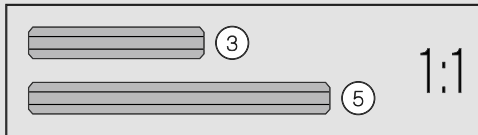
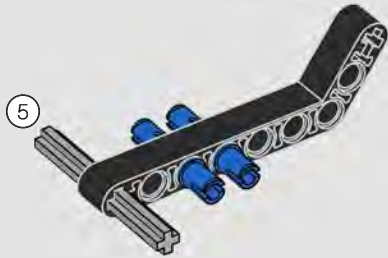
BMW MOTORRAD

Power:	212 hp
Torque:	15.100 rpm
C.c.	113 cm
Vmax:	306 km/h
Vmax. >	325 km/h (Track Transmission)
Acceleration:	0-200 km/h < 4.1 sec.
Weight Dry:	172 kg
Dimensions:	172 kg Weight 14.3 kg

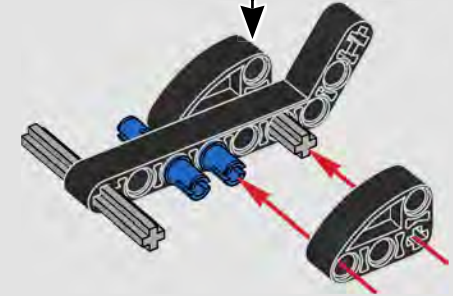
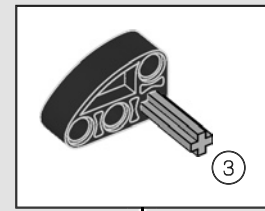




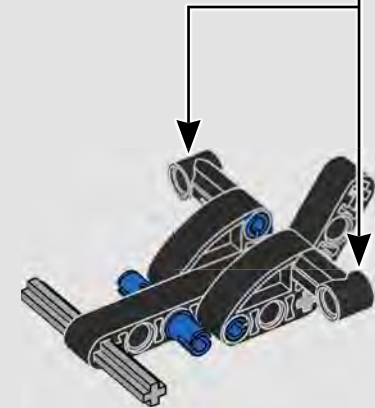
332

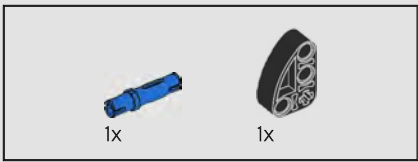


333

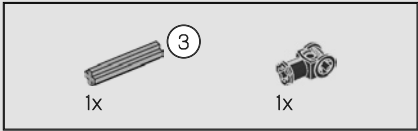
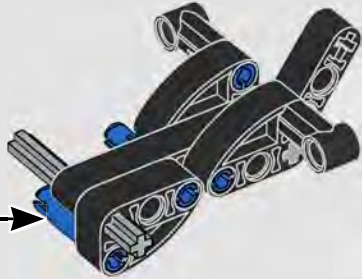


334

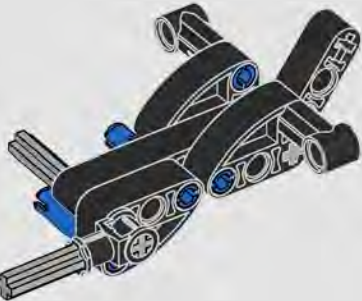
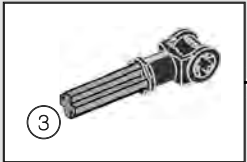




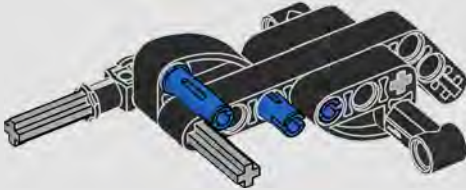
335

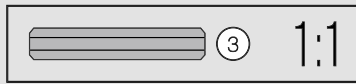
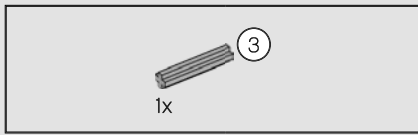


336

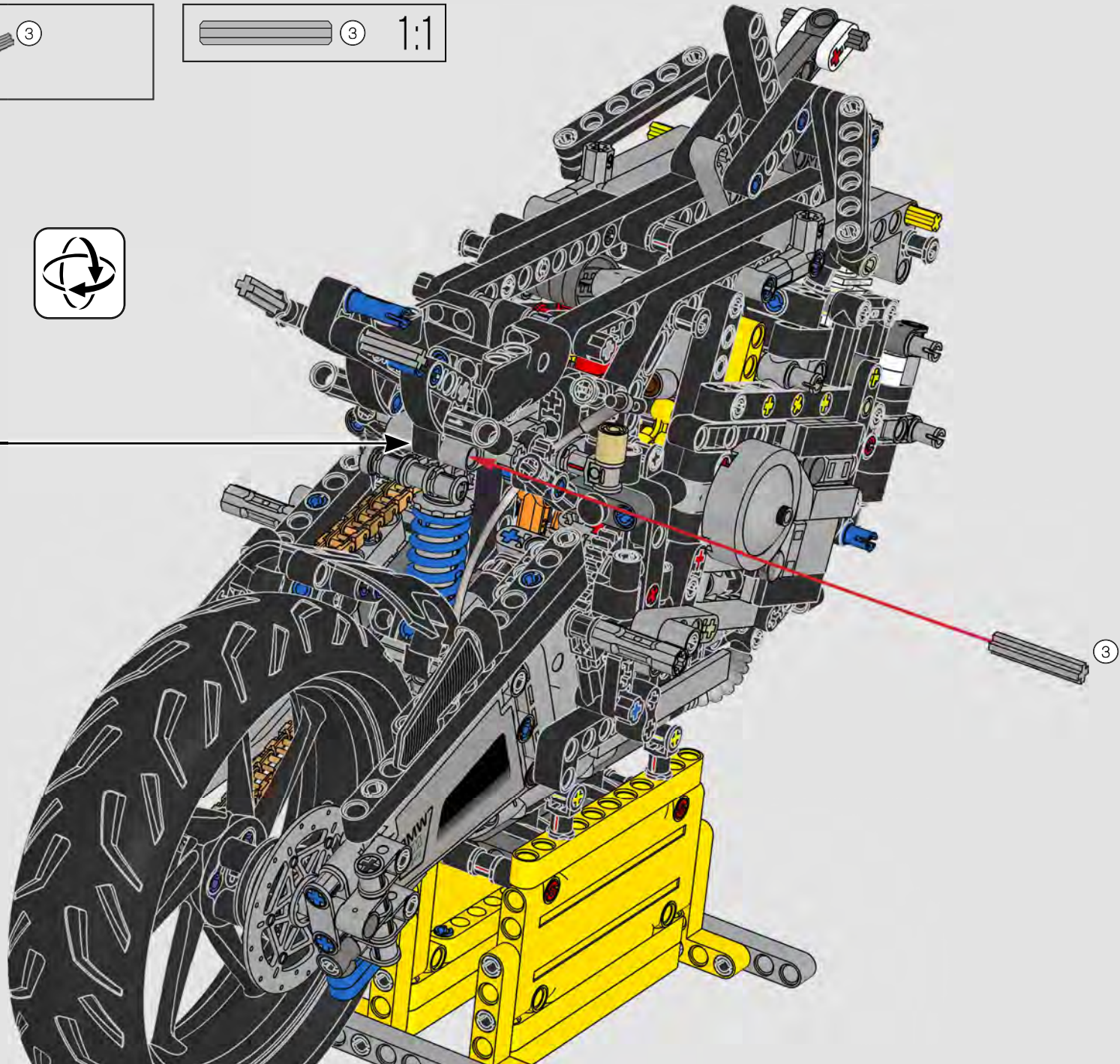


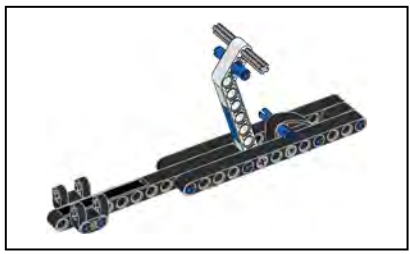
337



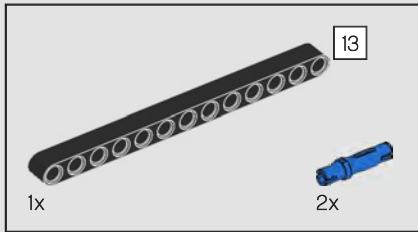


338

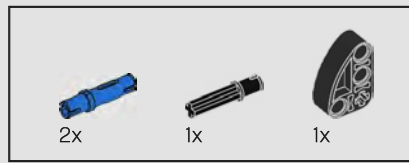




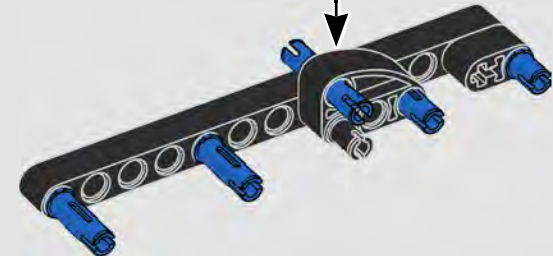
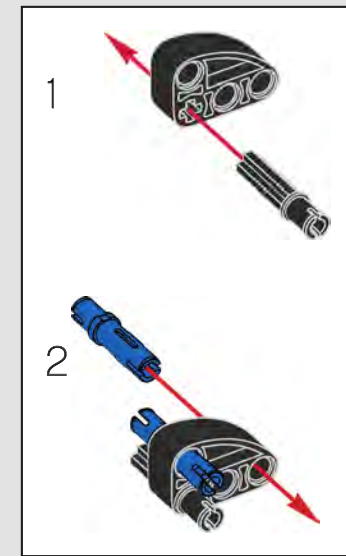
339



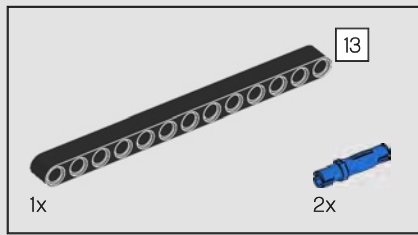
340



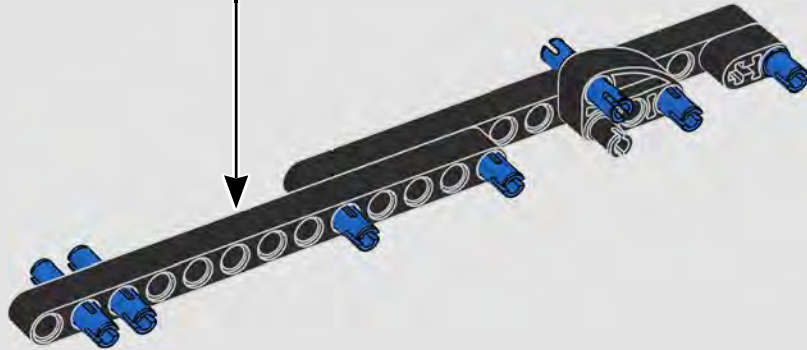
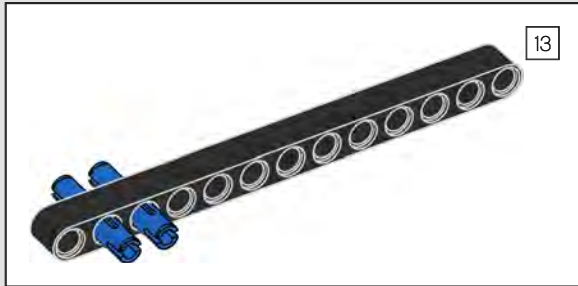
341



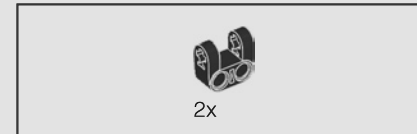
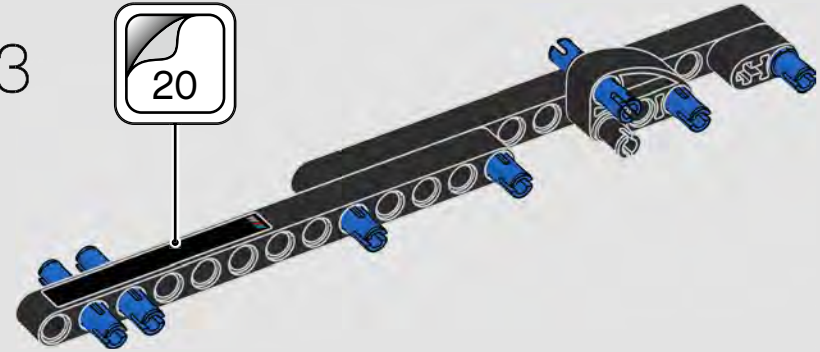
1:1



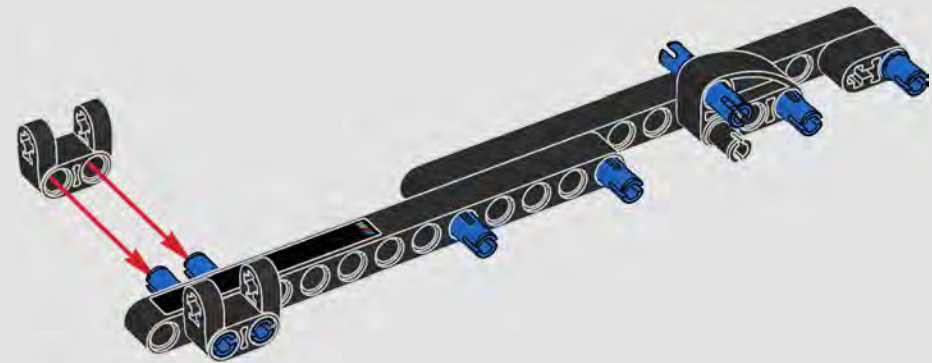
342

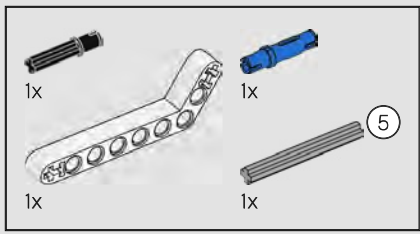


343

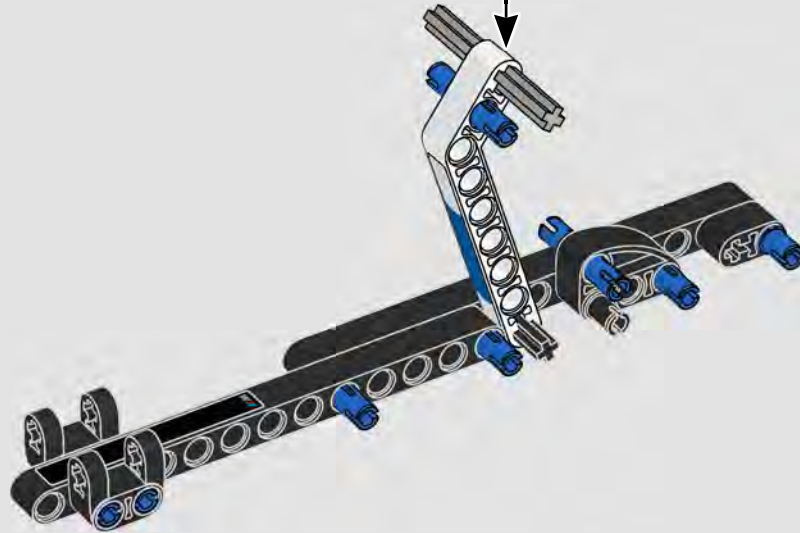
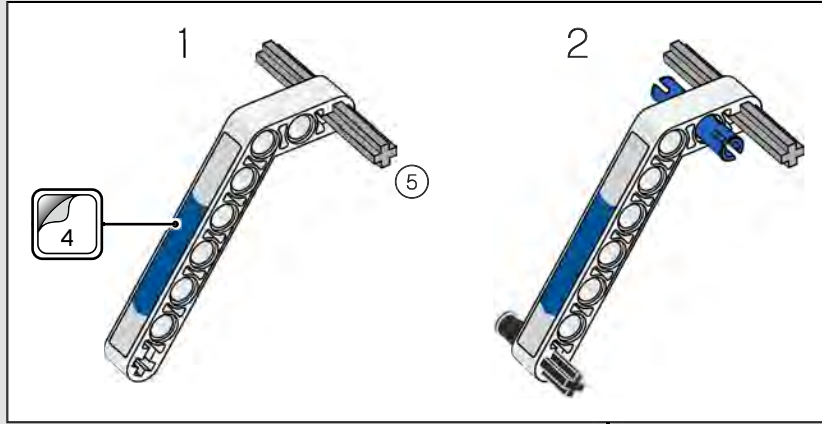
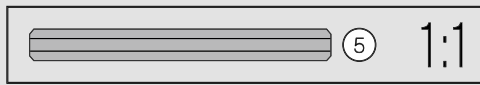


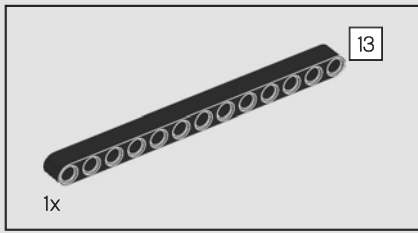
344



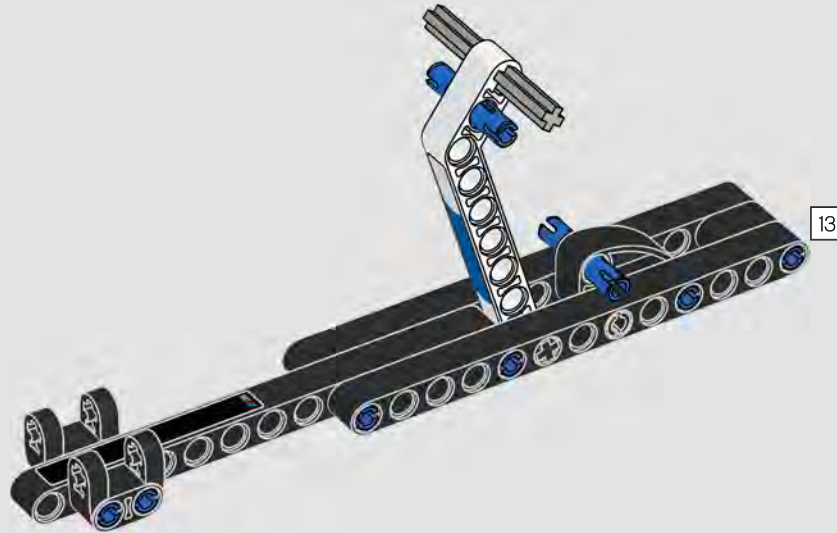


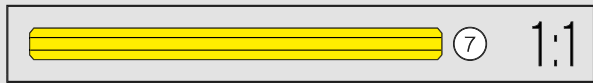
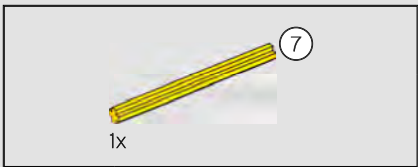
345



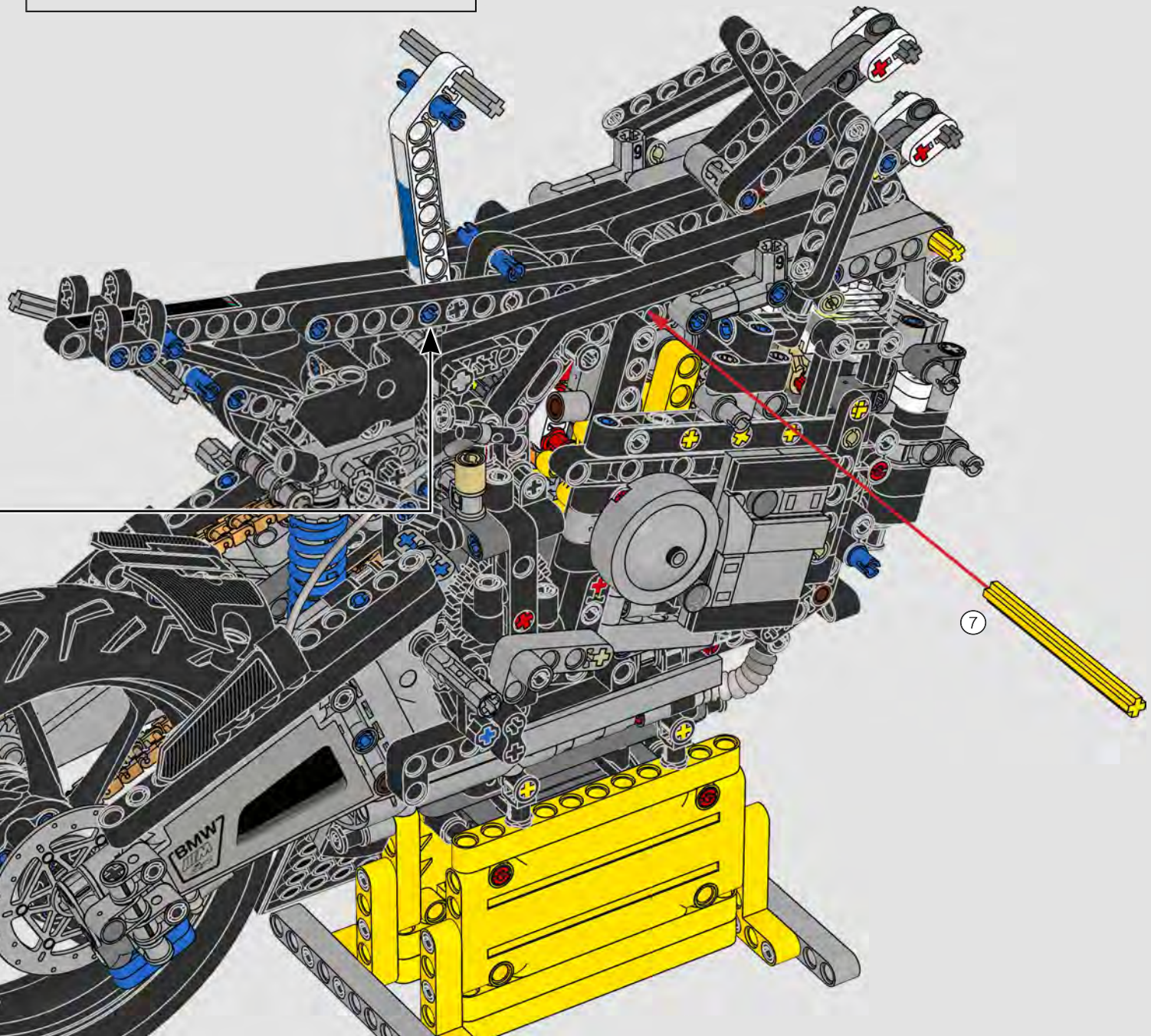
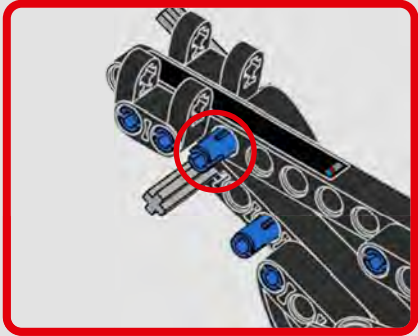


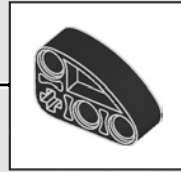
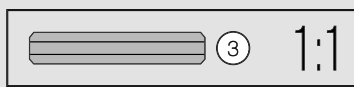
346



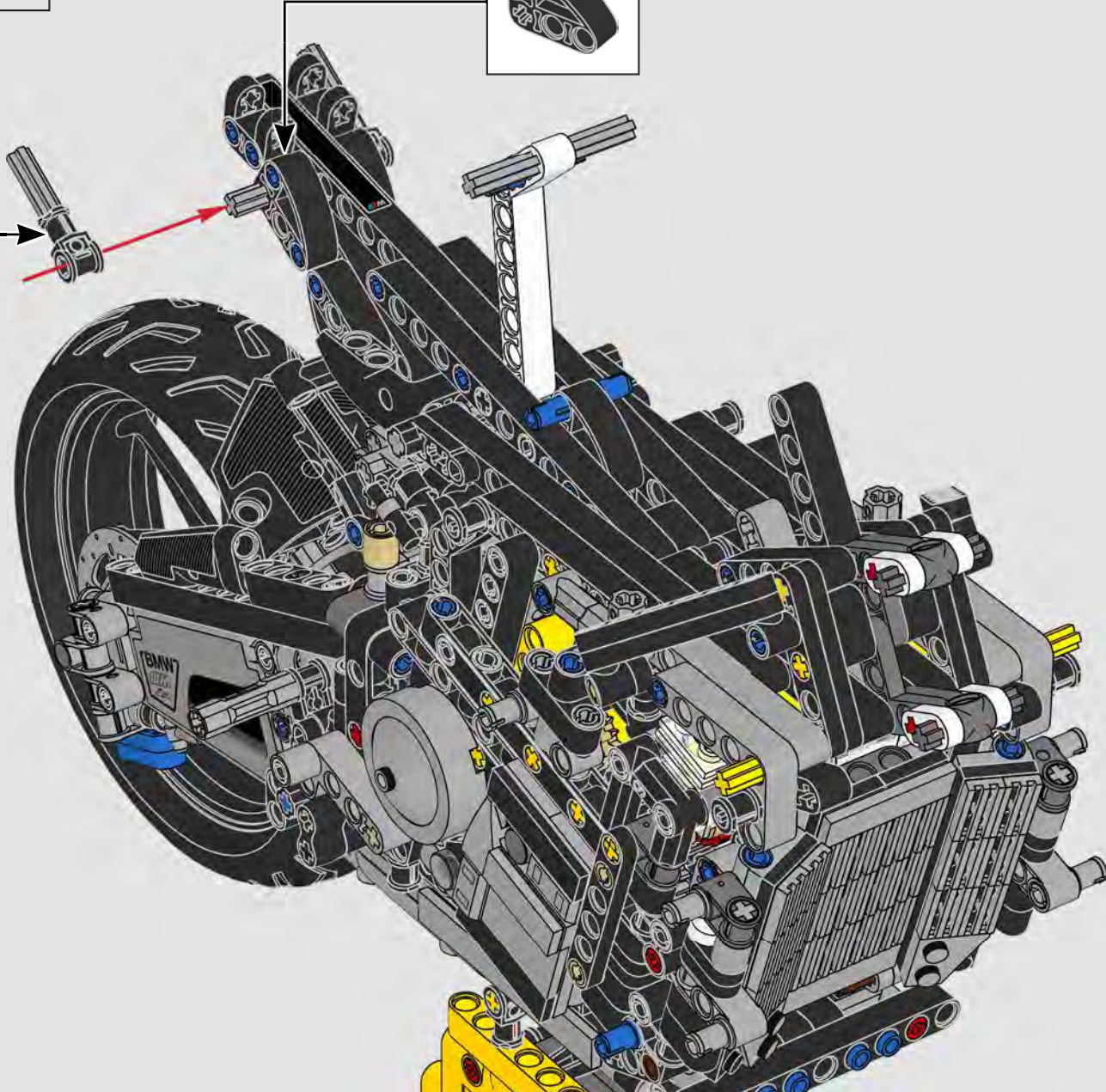
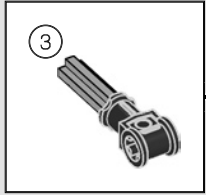


347



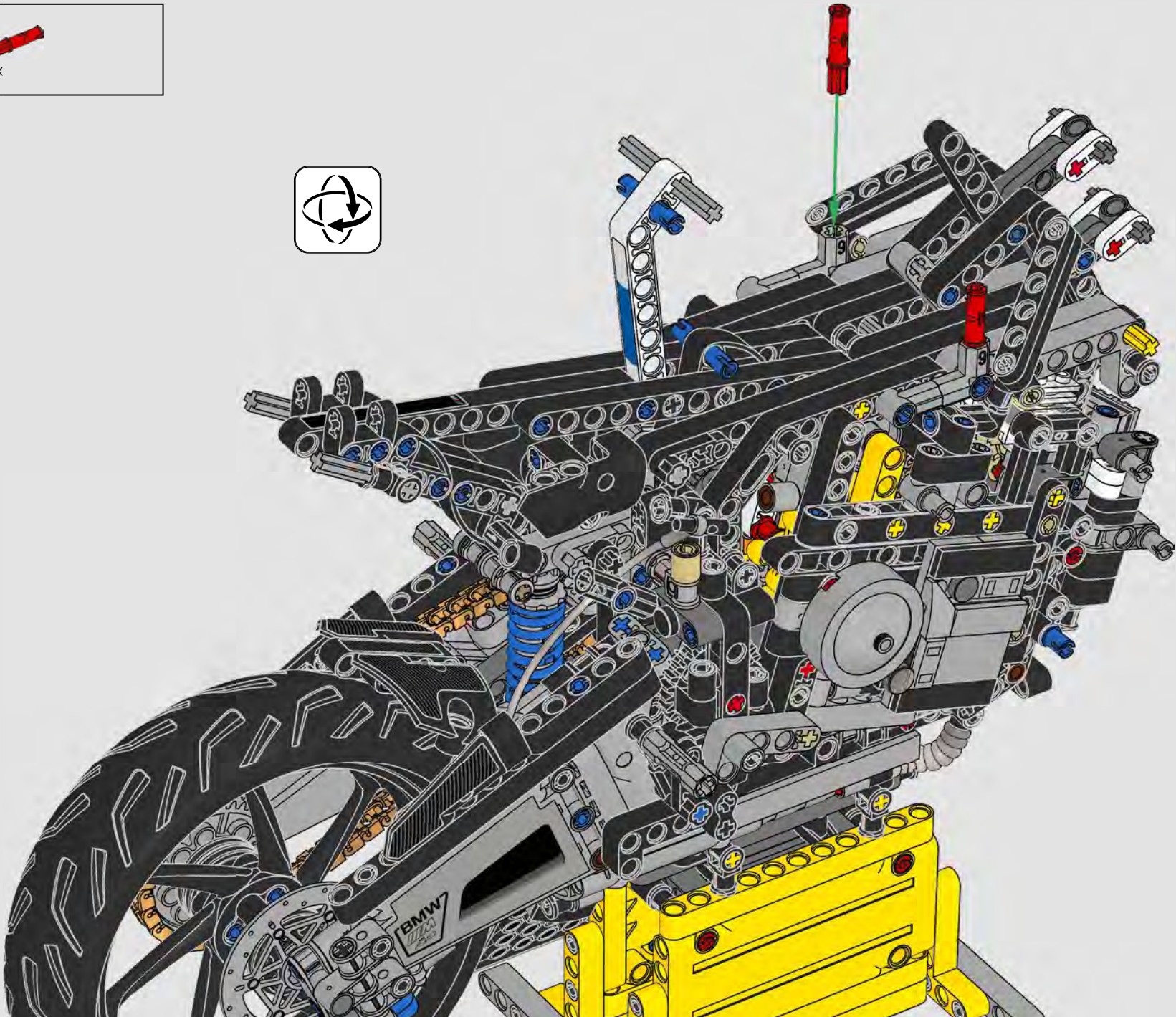


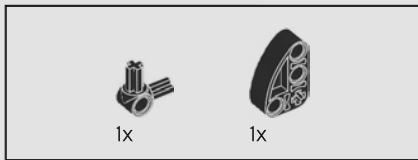
348



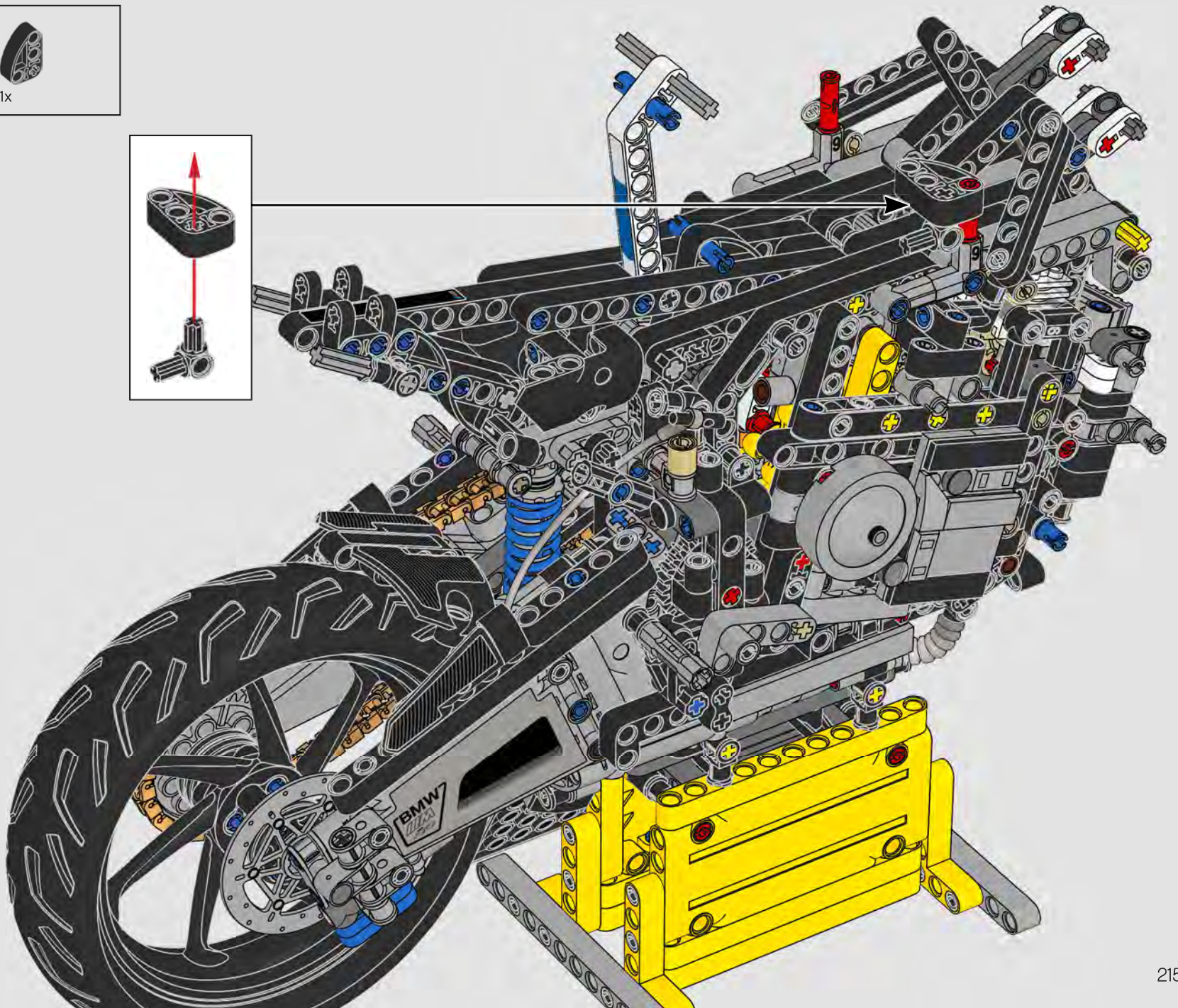


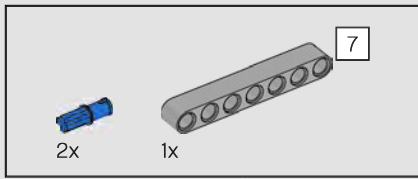
349



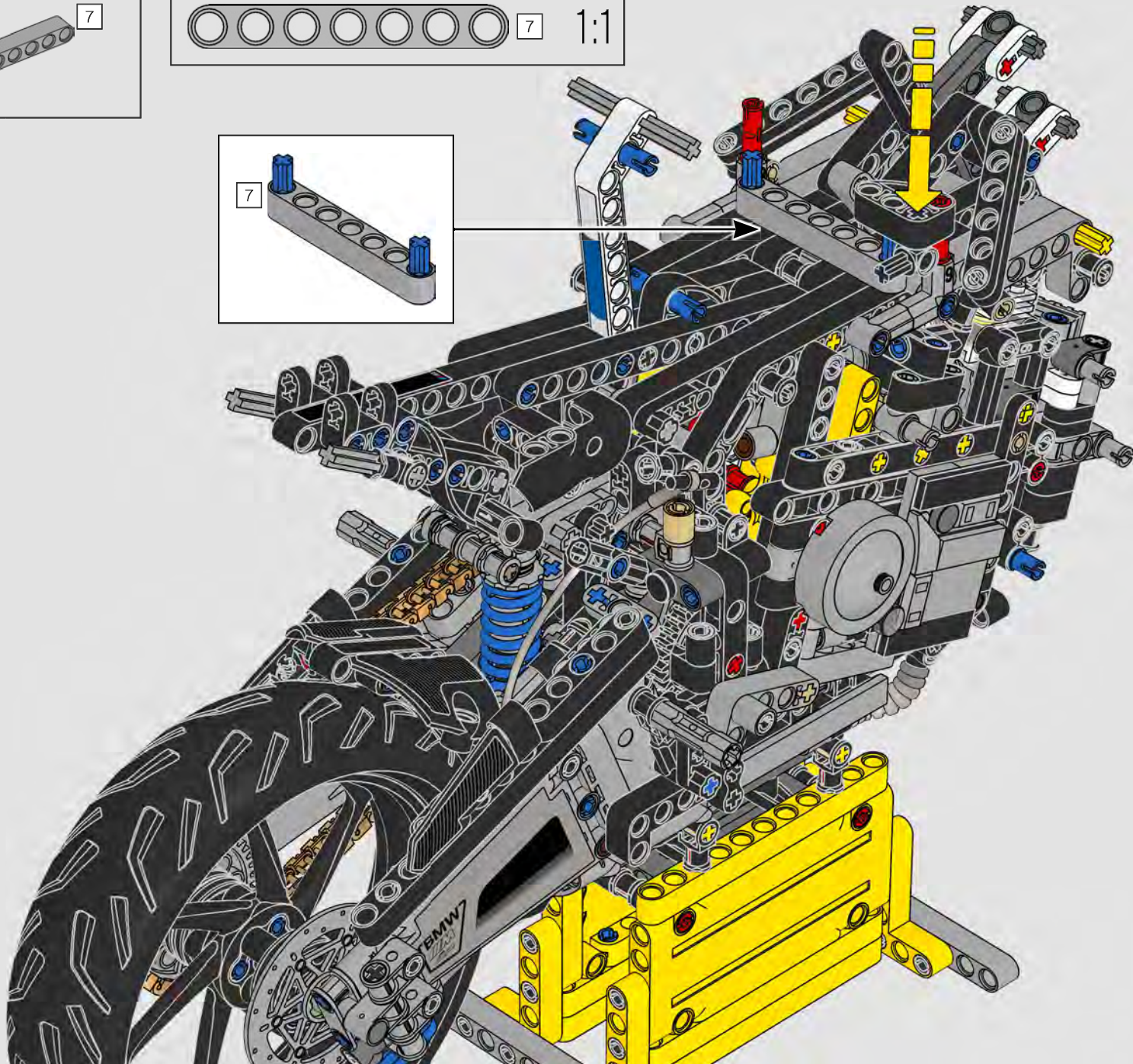
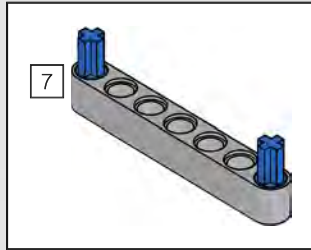


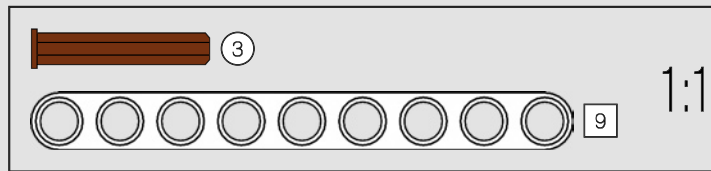
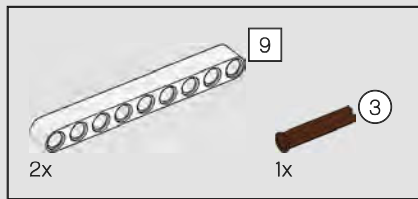
350



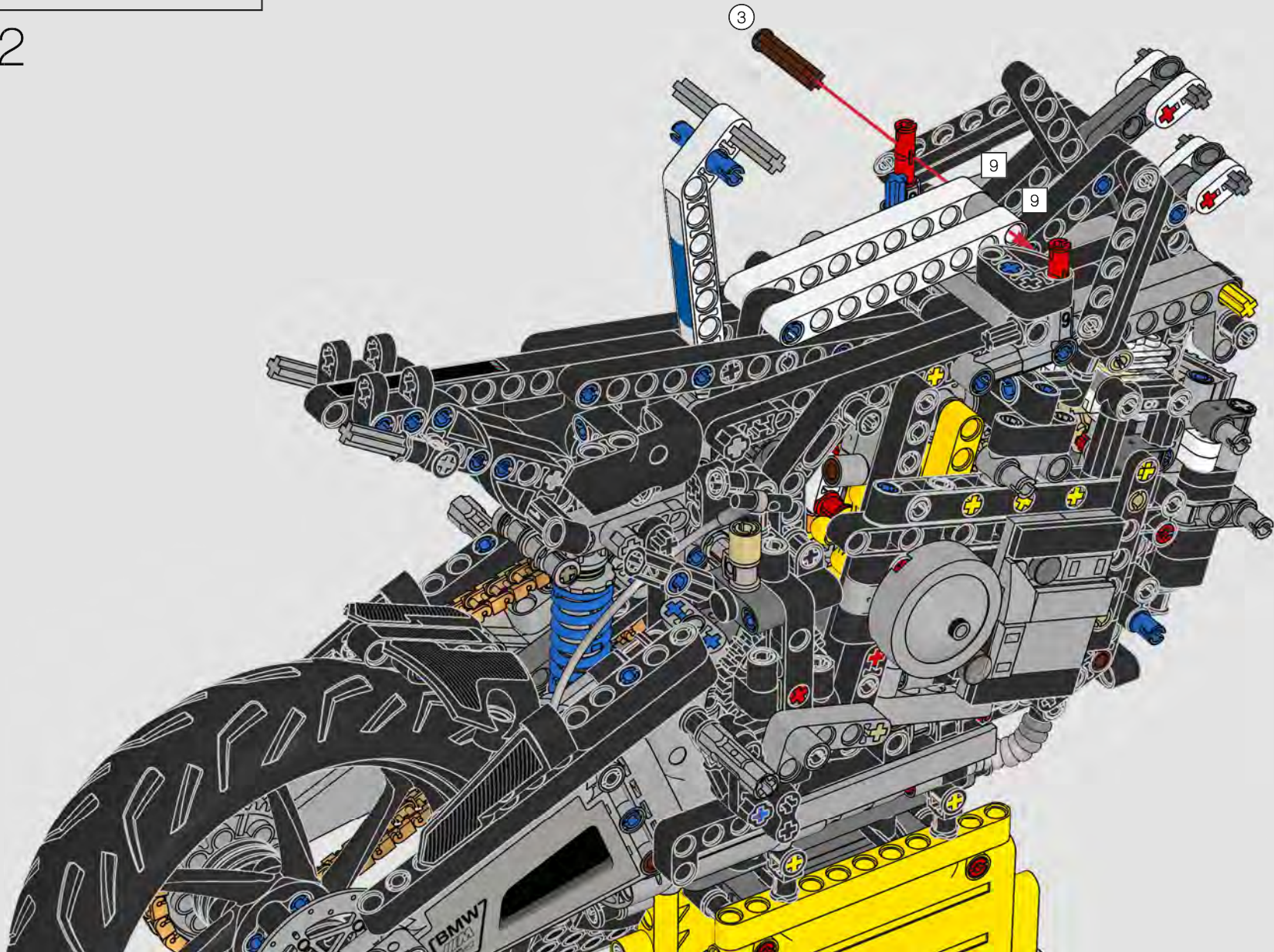


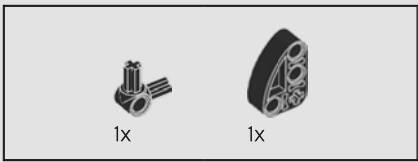
351



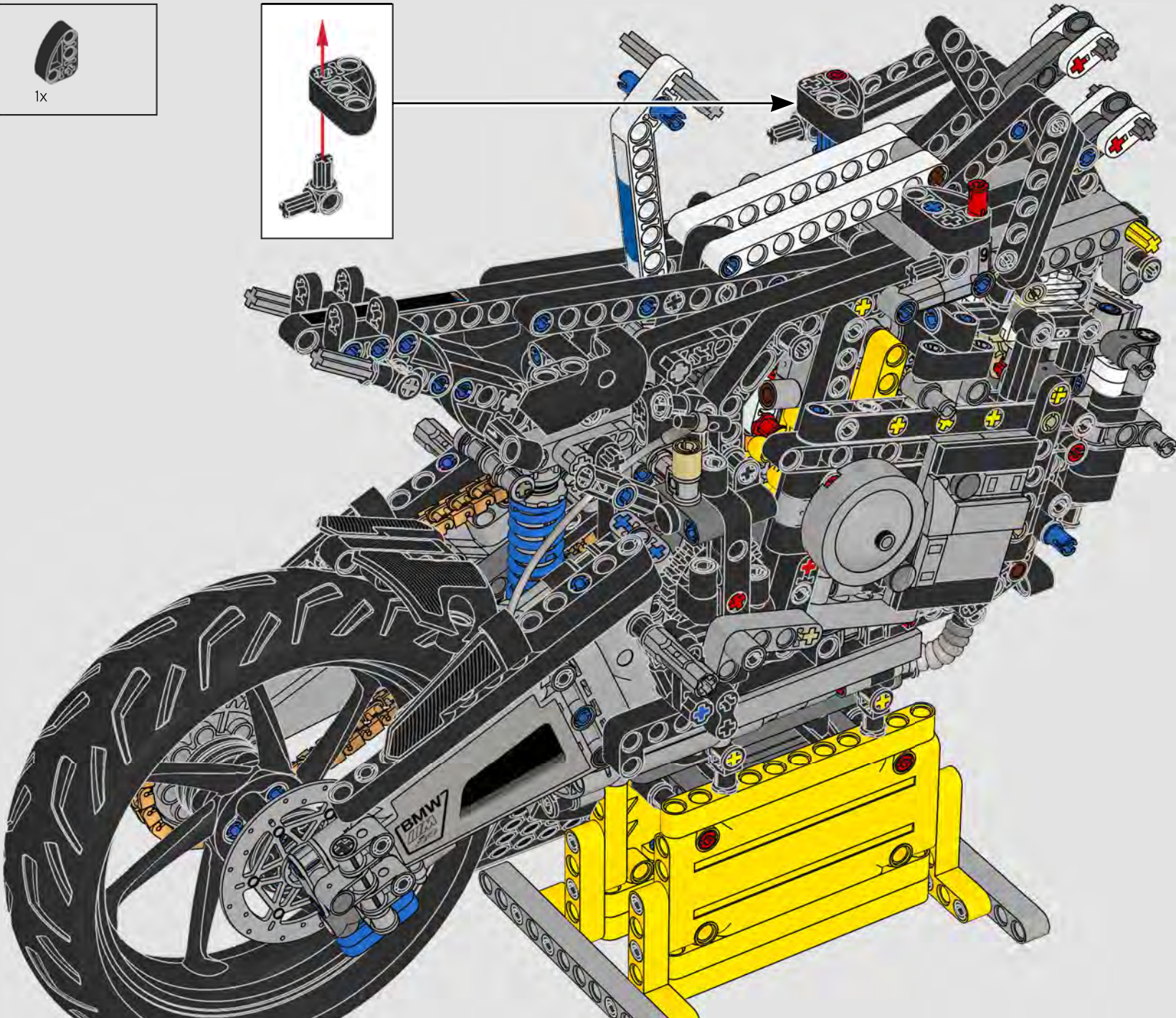


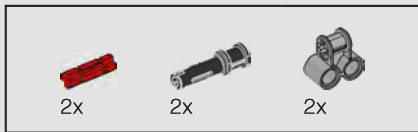
352



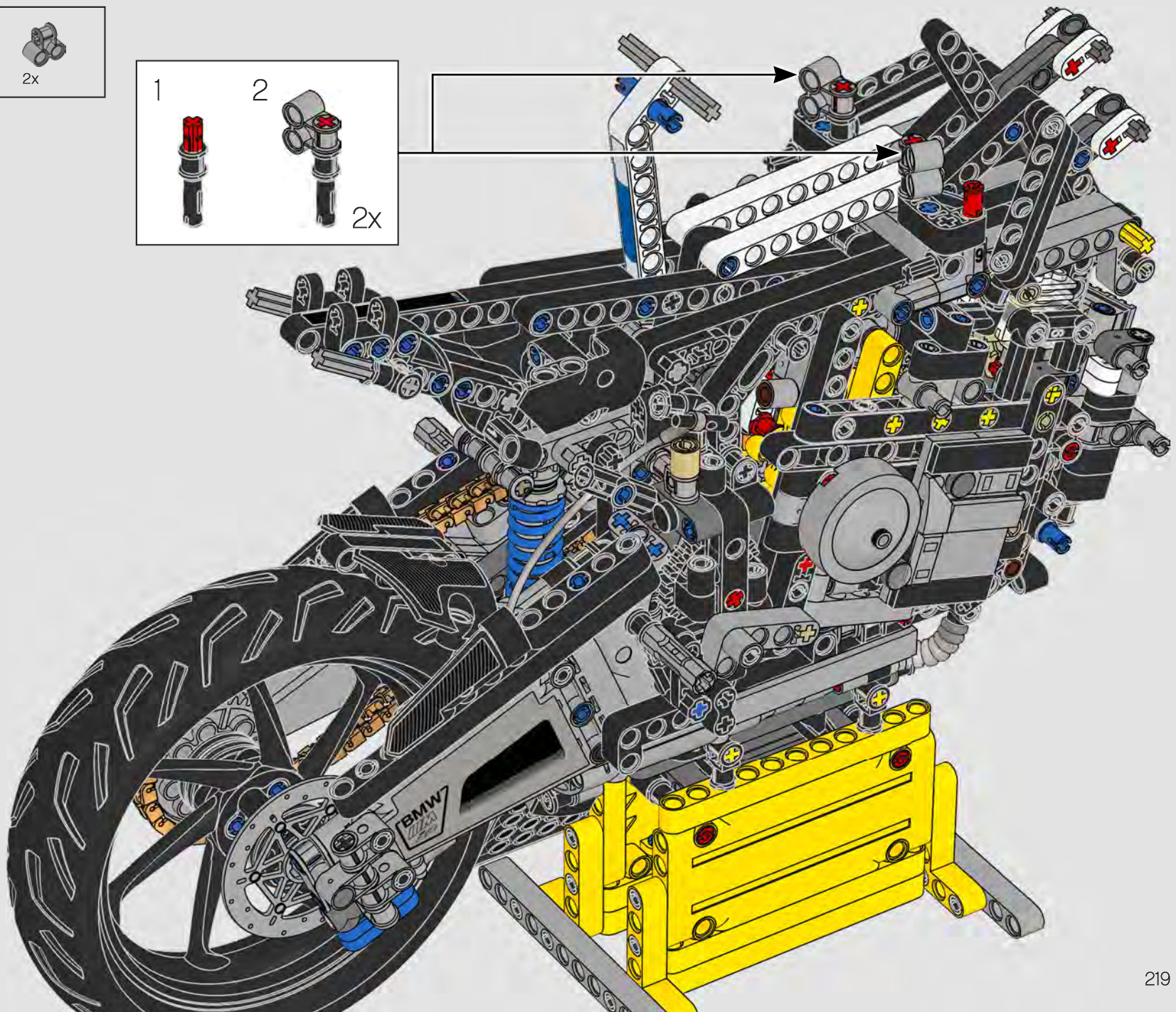
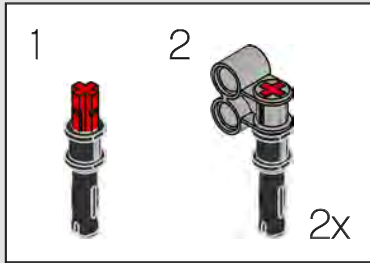


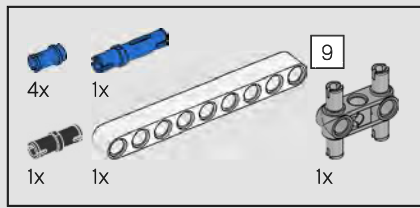
353



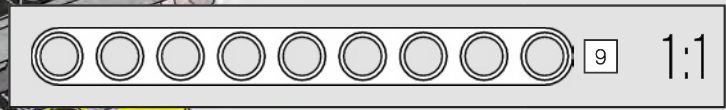
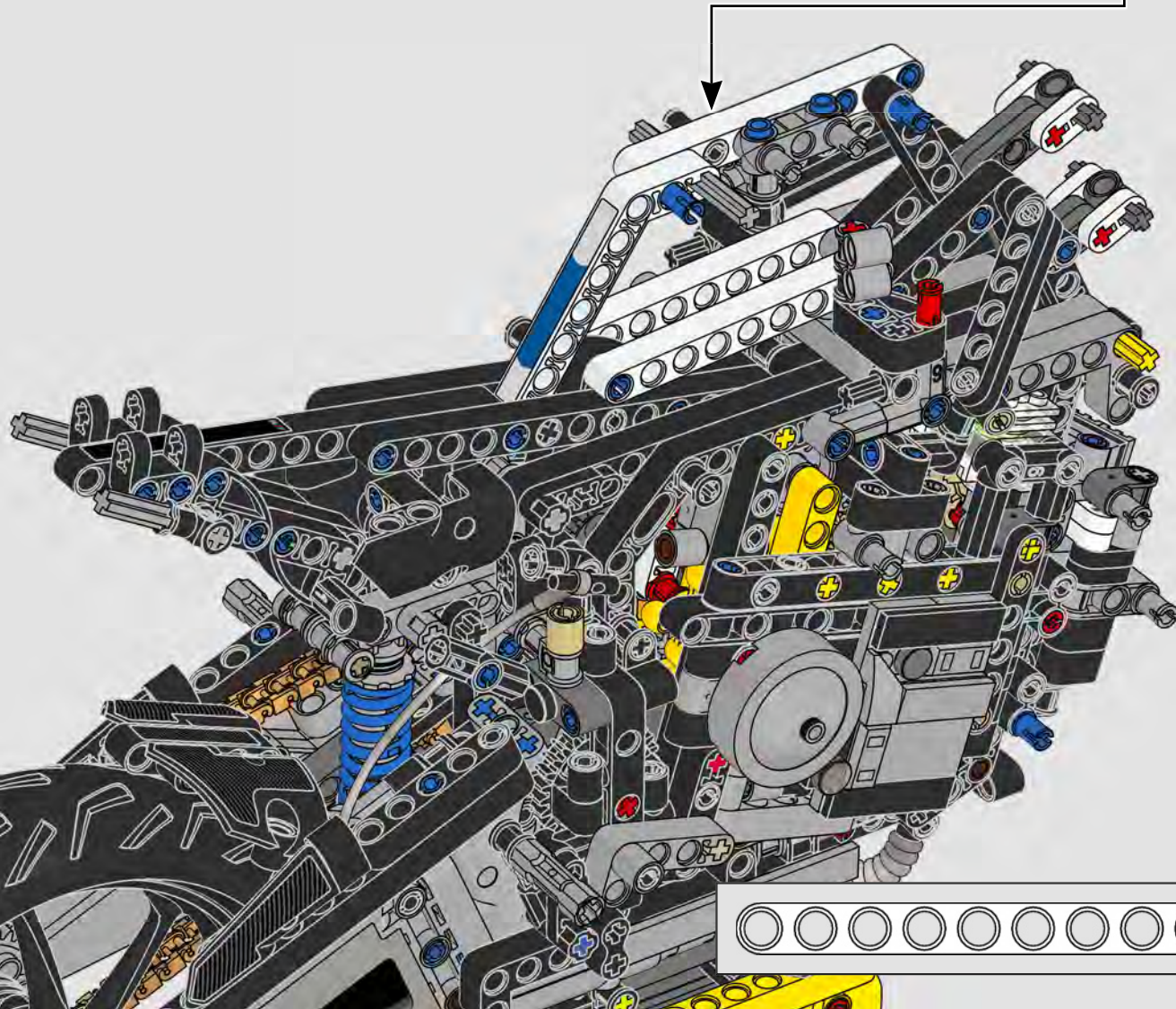
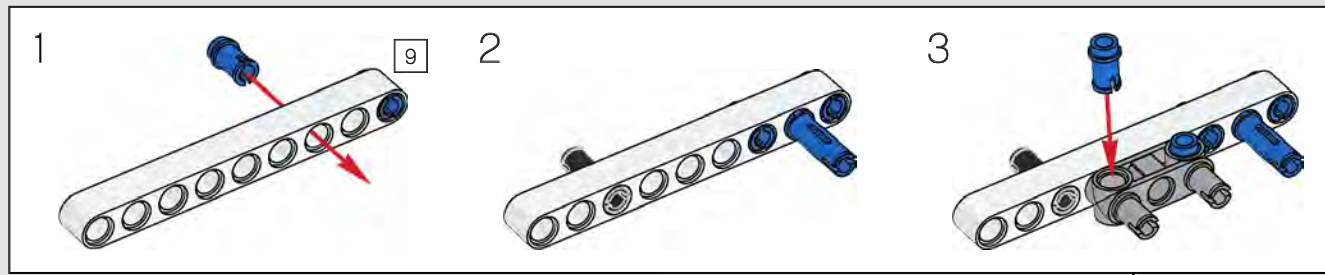


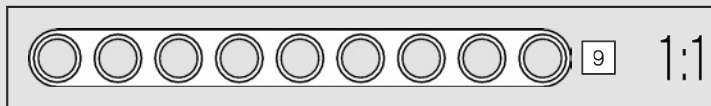
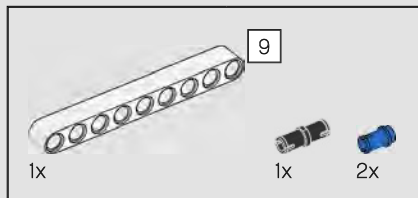
354



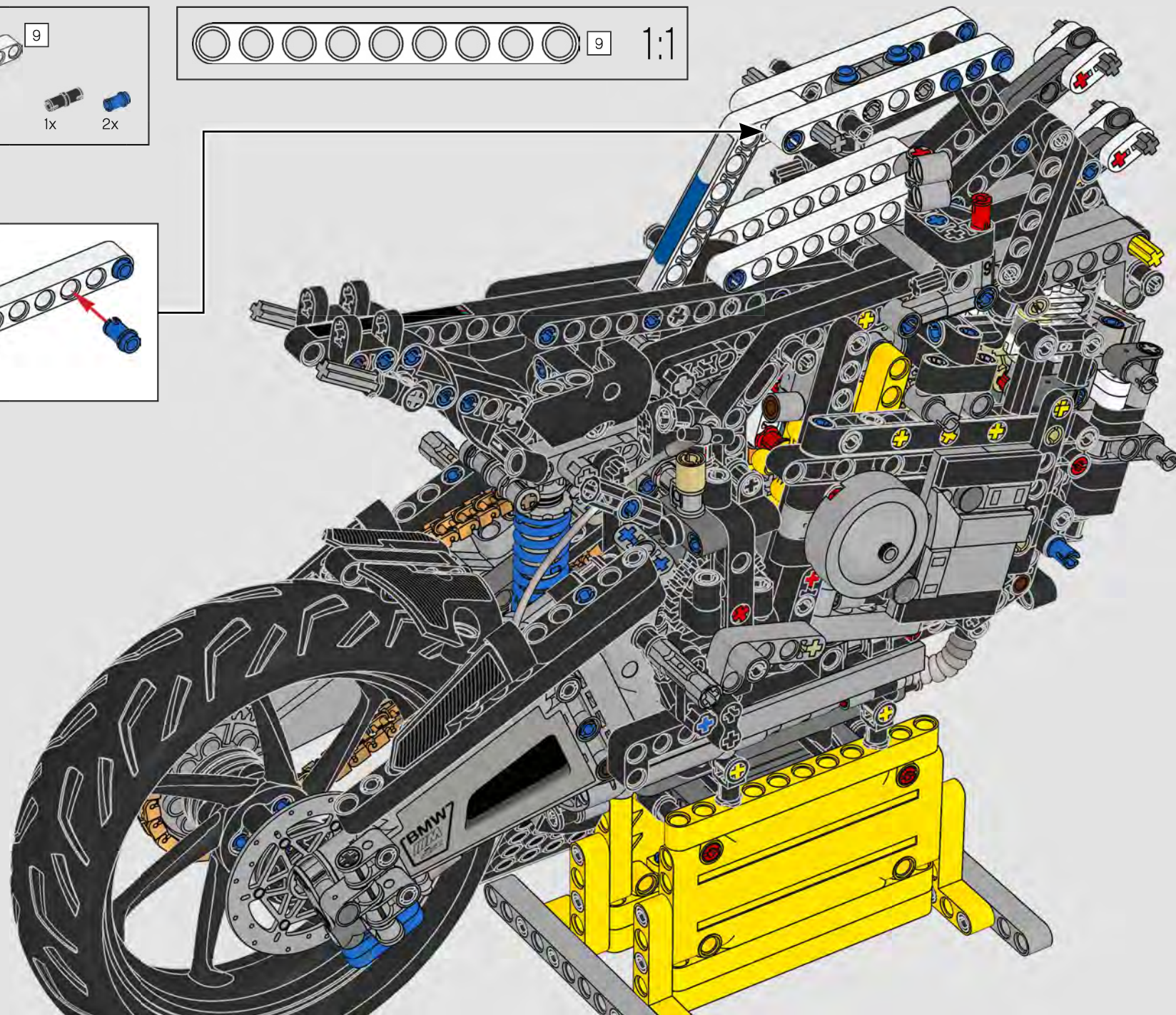
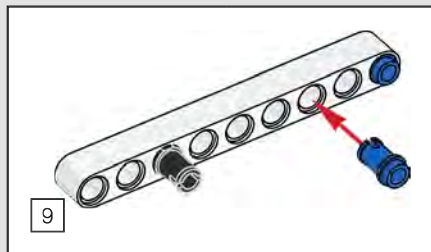


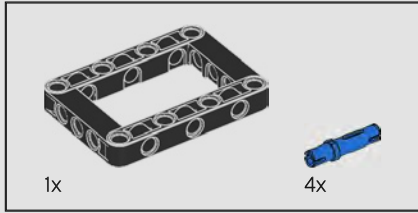
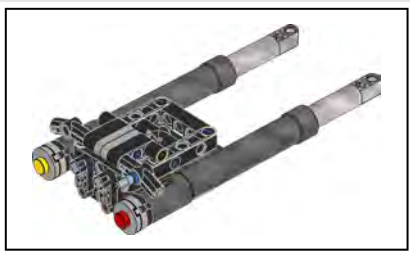
355



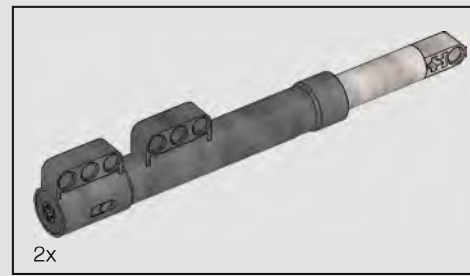
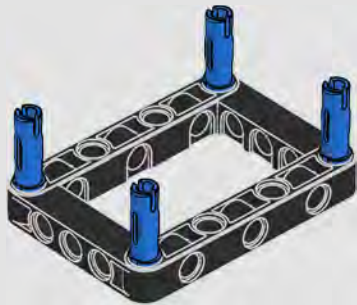


356

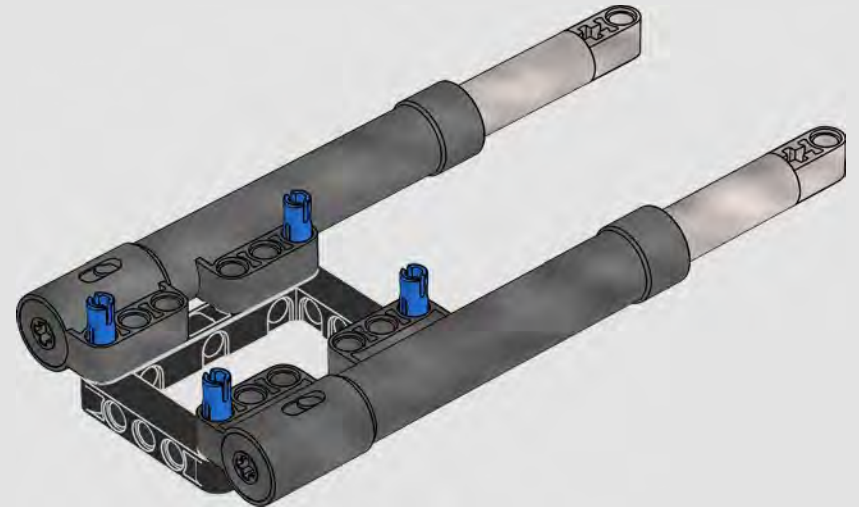


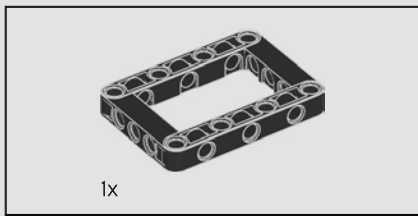


357

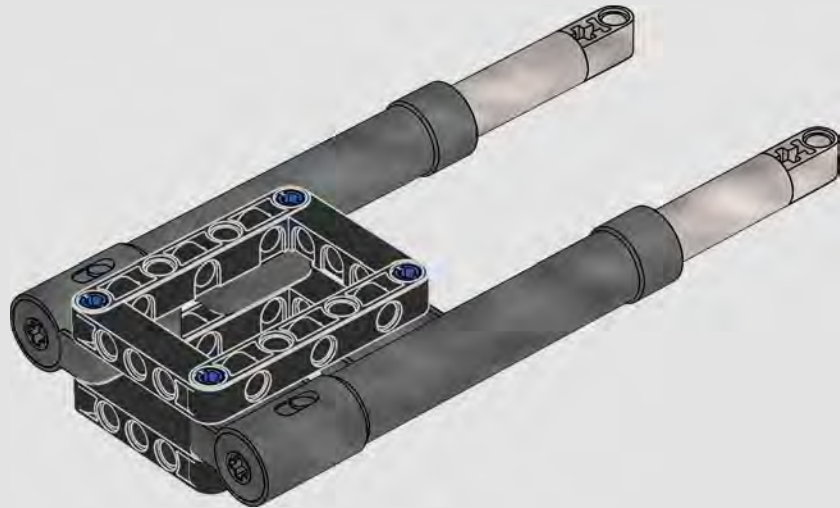


358

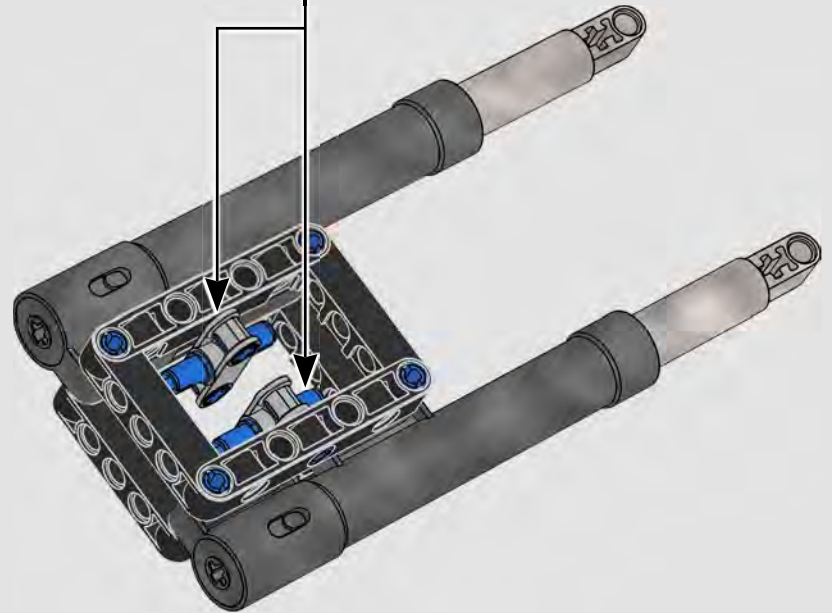
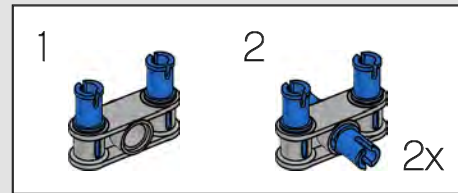
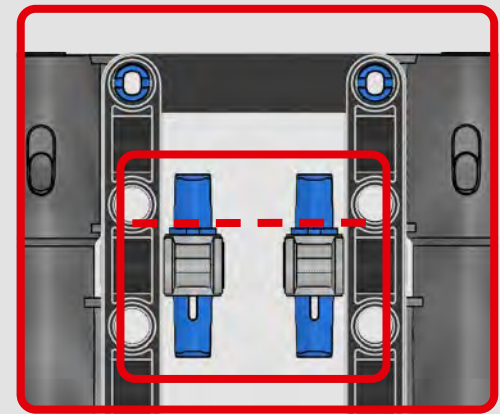


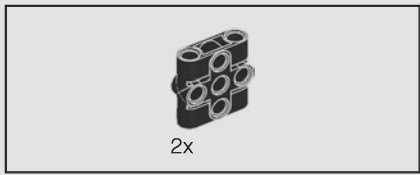


359

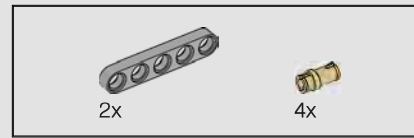
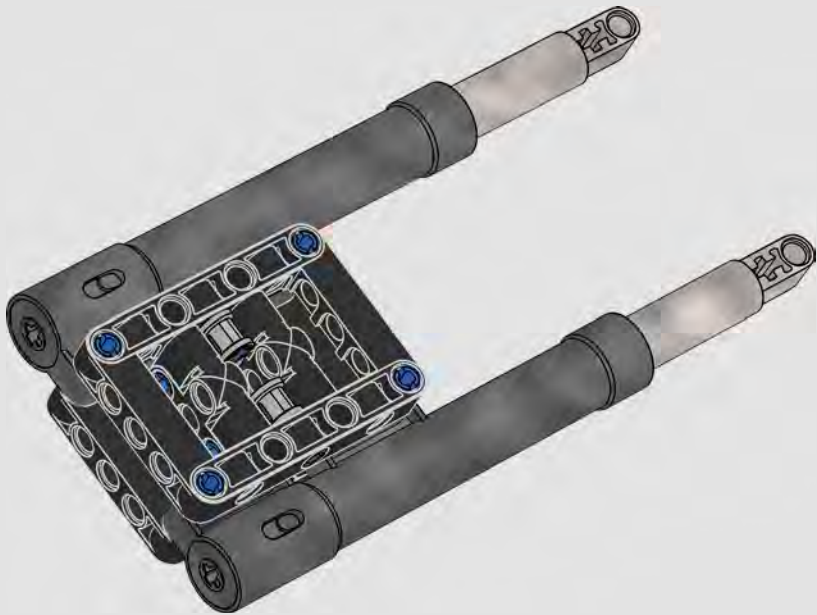


360

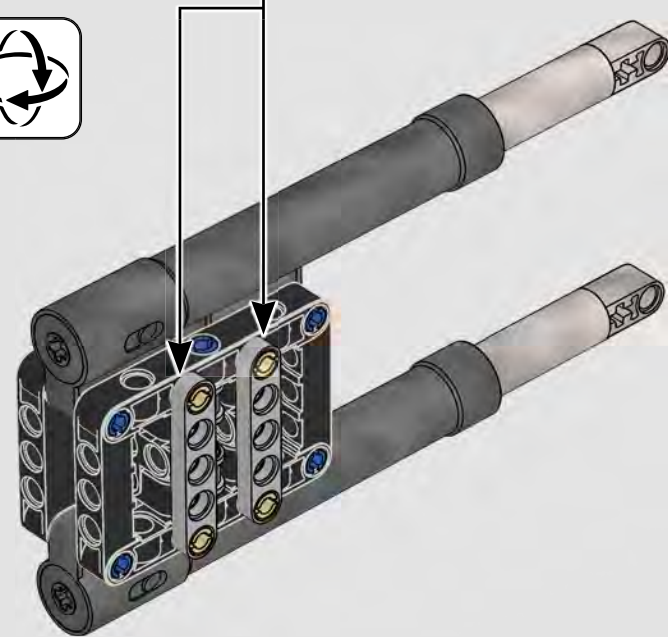
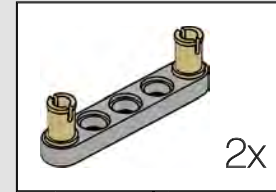
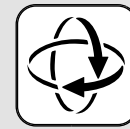




361

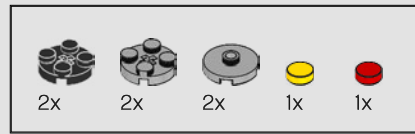
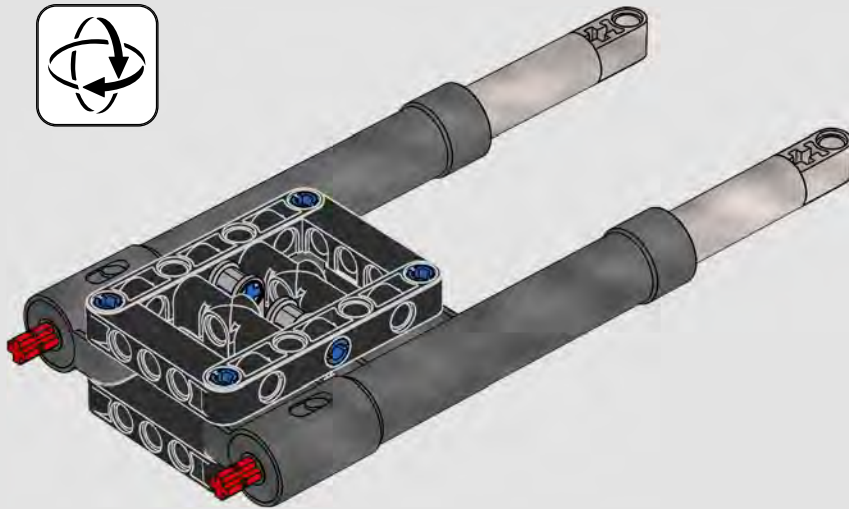


362

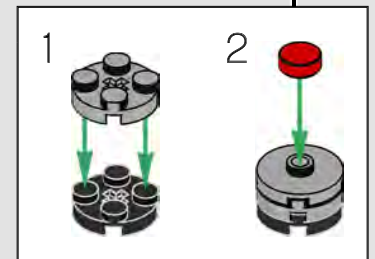
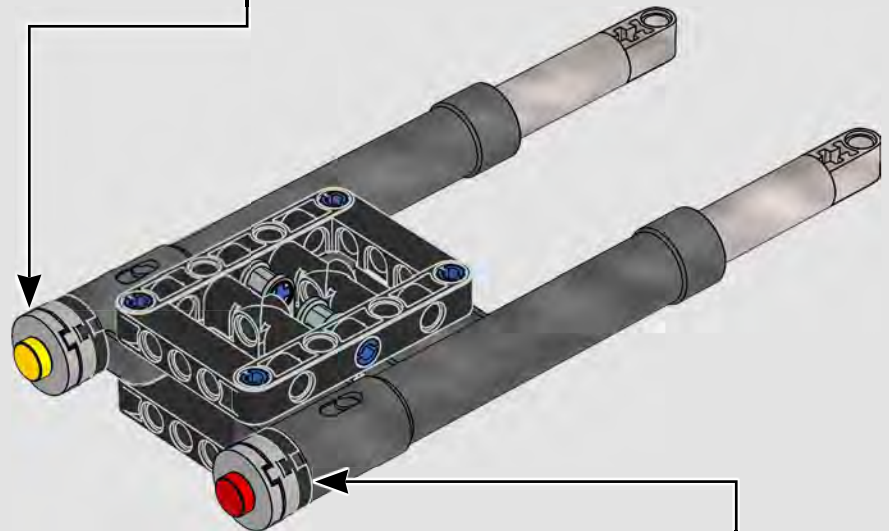
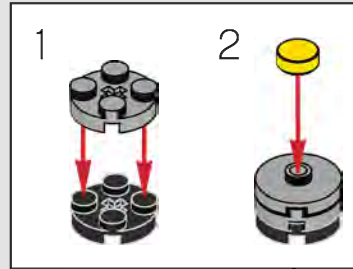




363



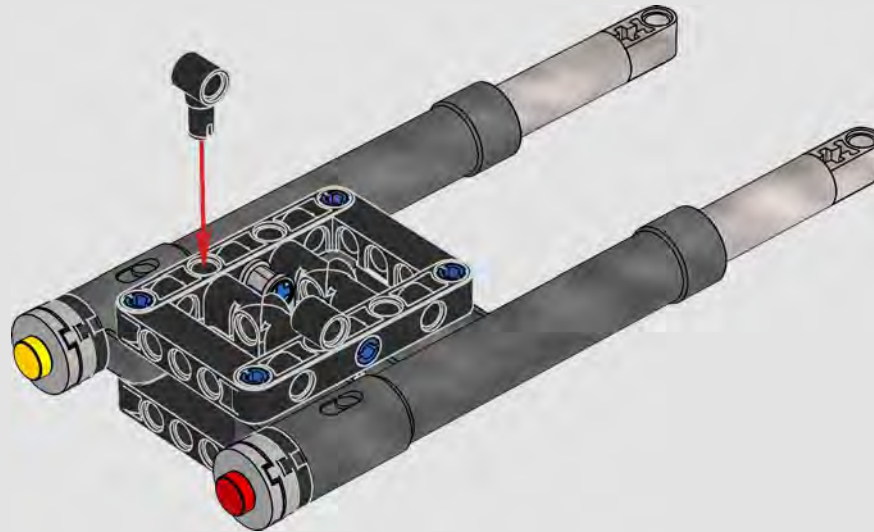
364





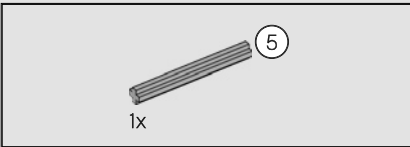
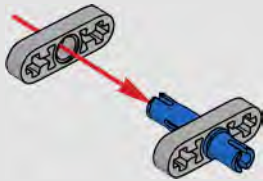
2x

365

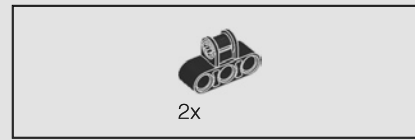
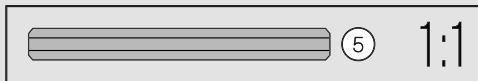
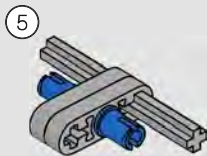




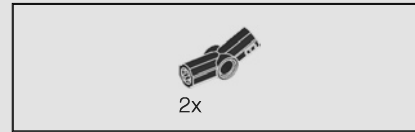
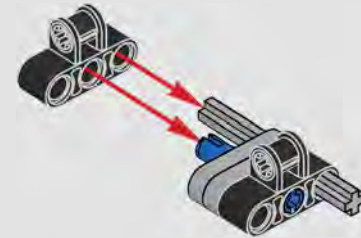
366



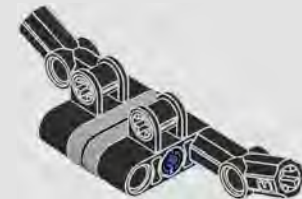
367

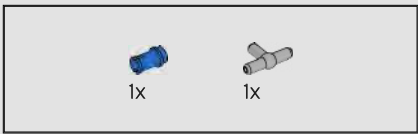


368



369

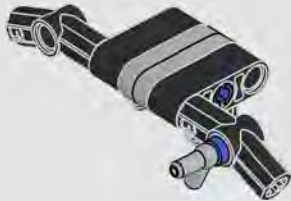




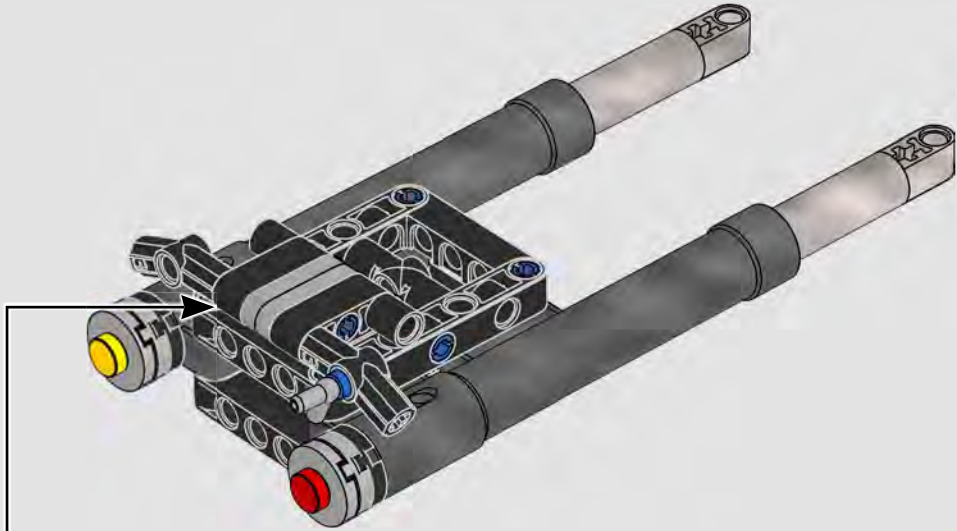
370



371

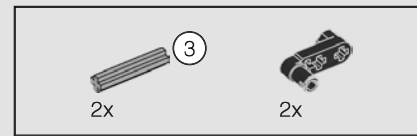
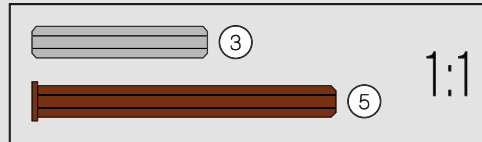
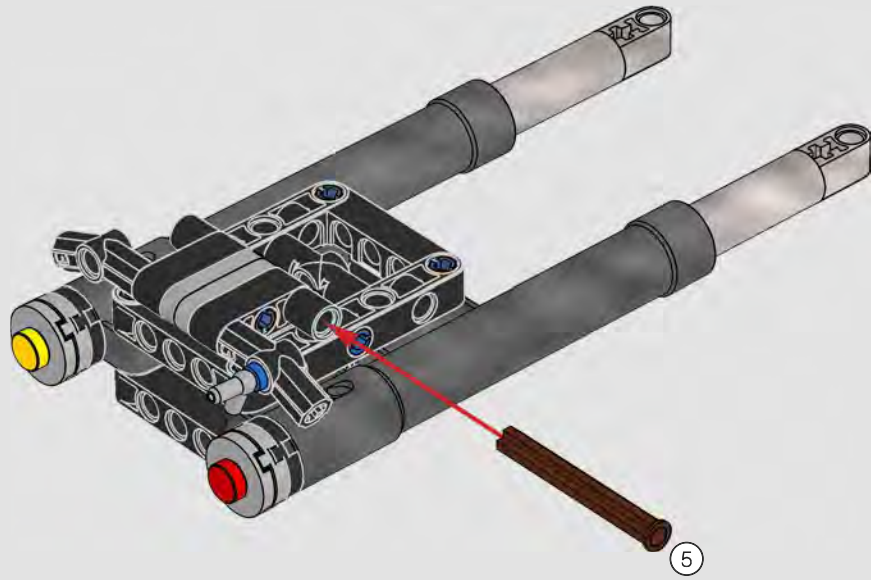


372

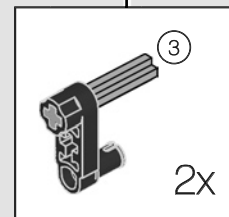
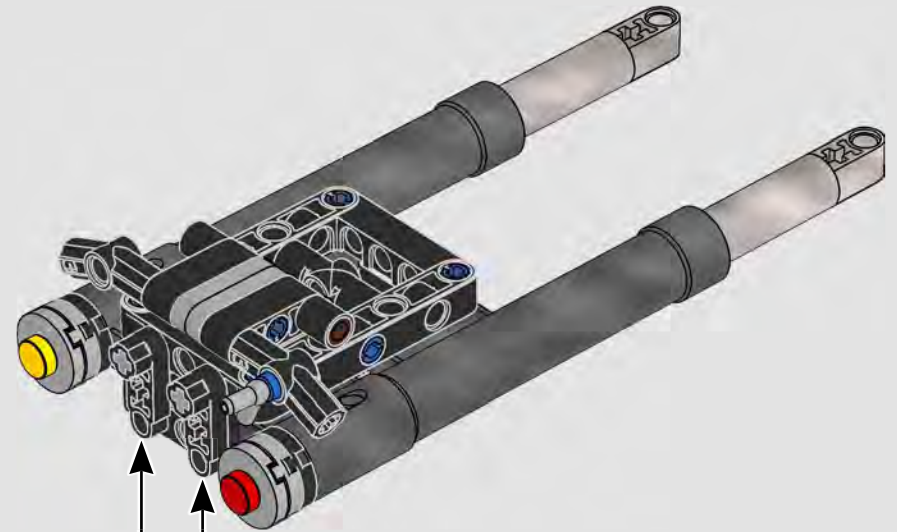


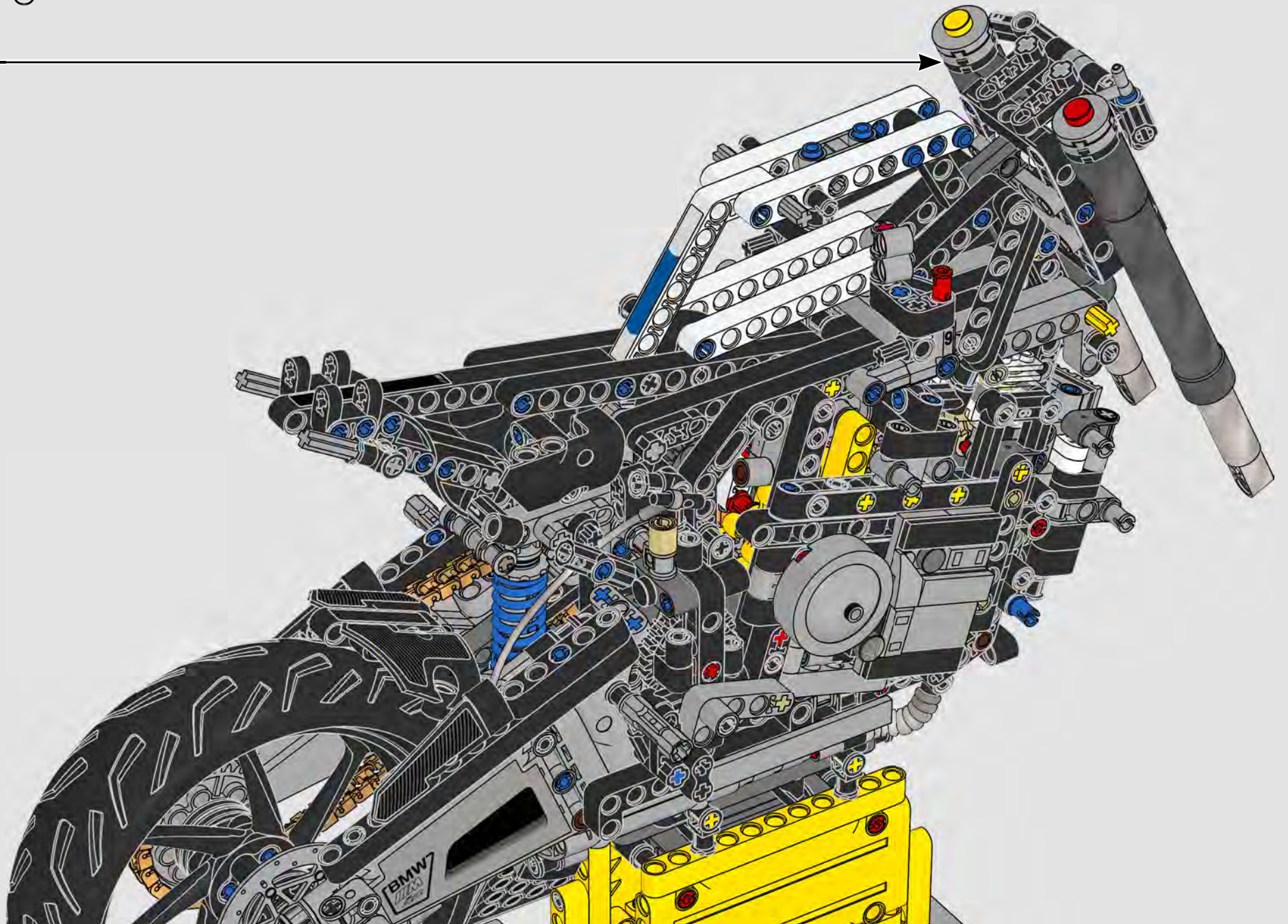


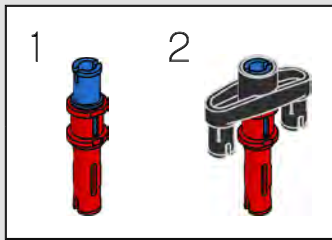
373



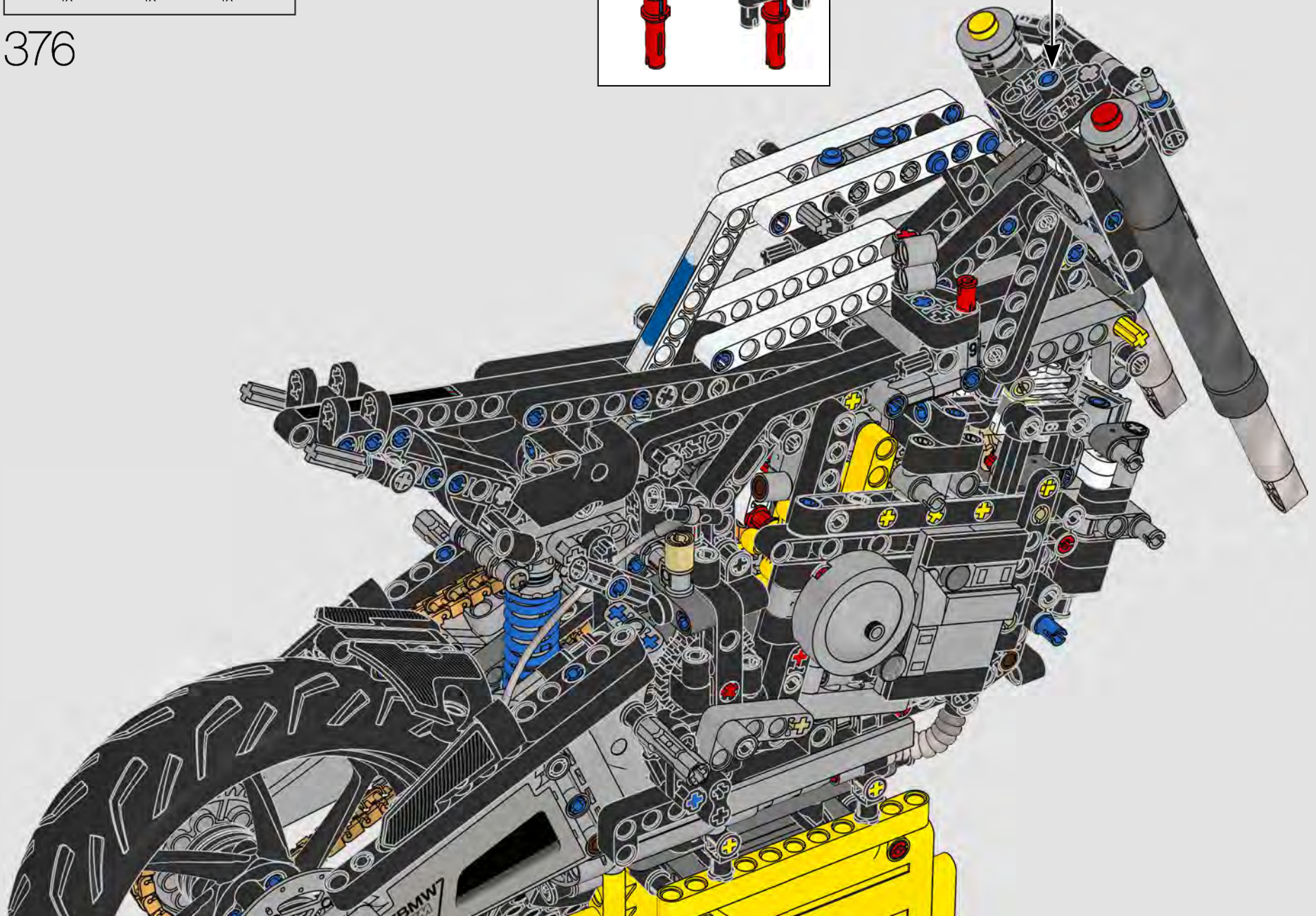
374

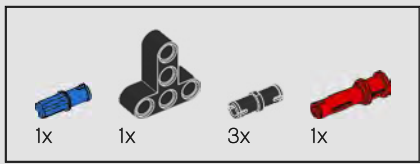




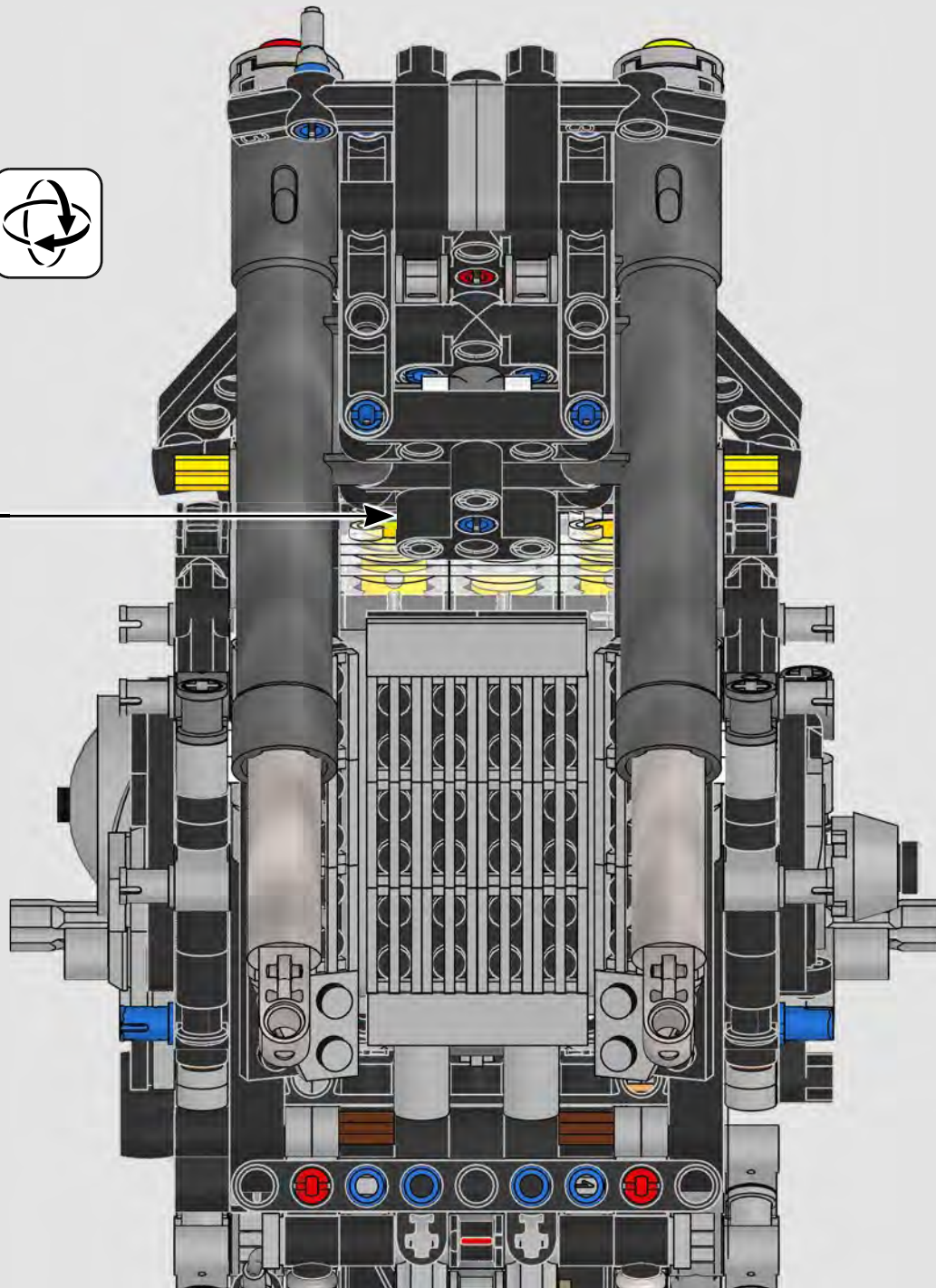
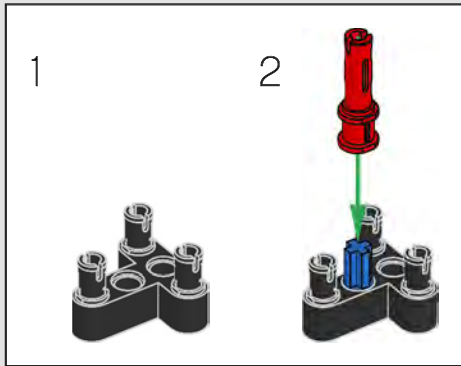


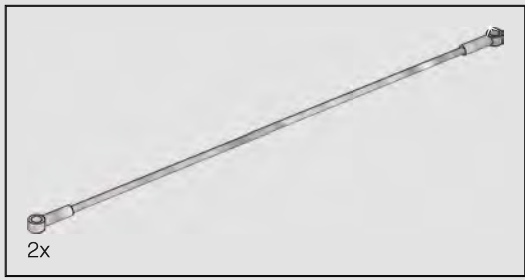
376



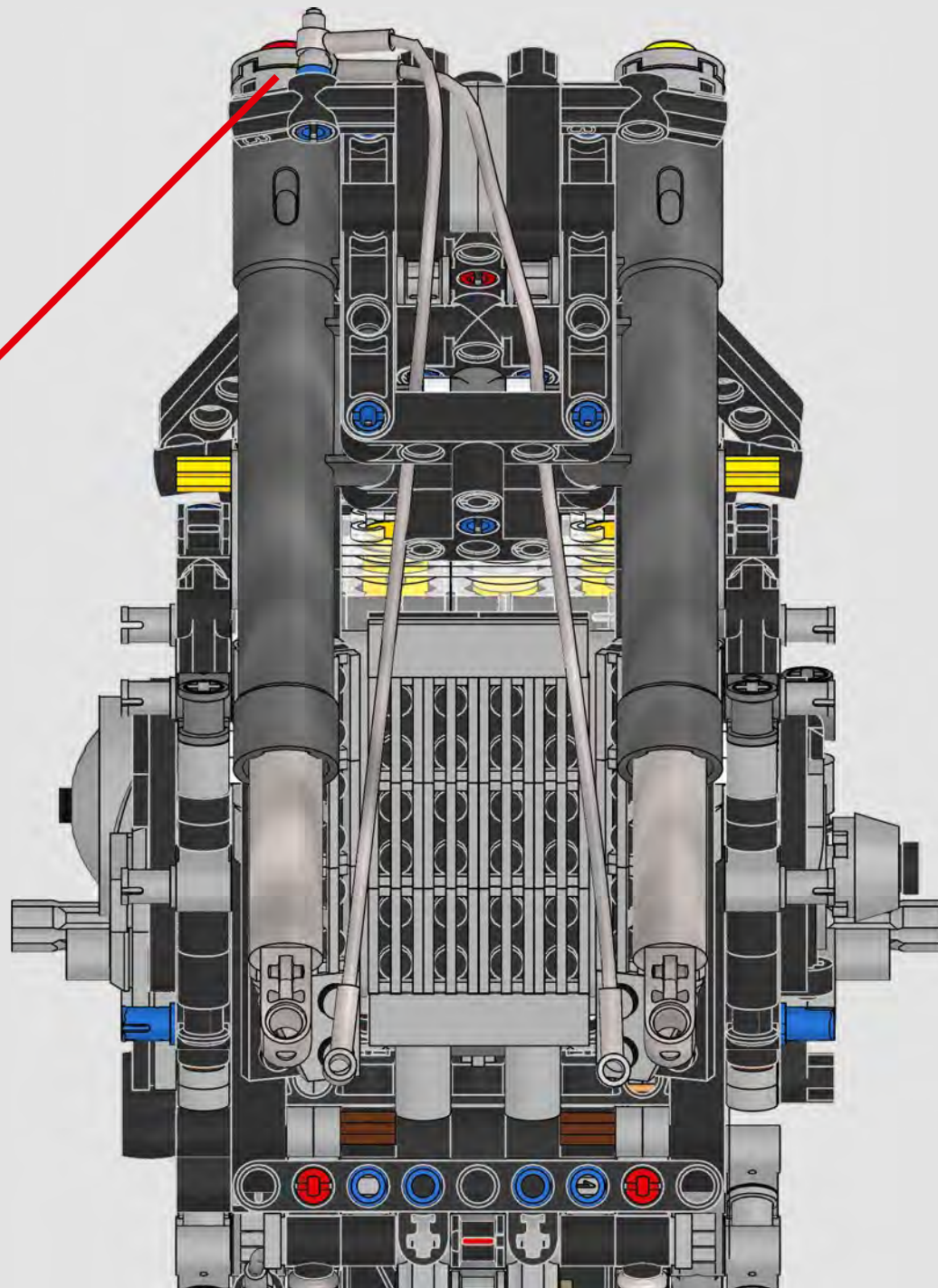
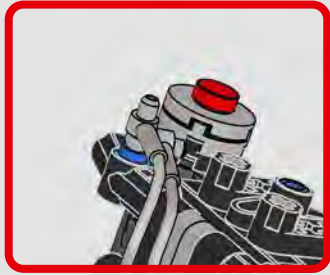


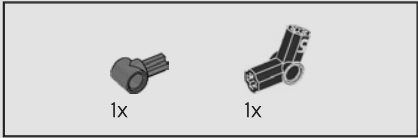
377



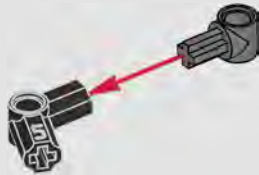


378





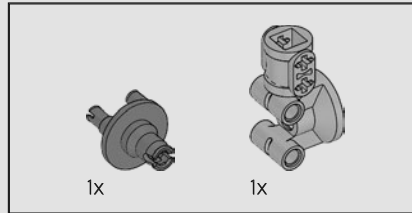
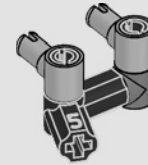
379



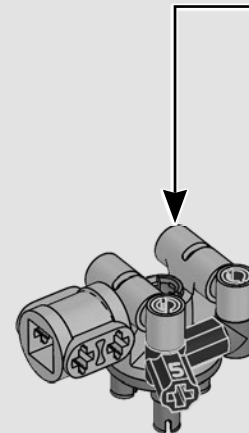
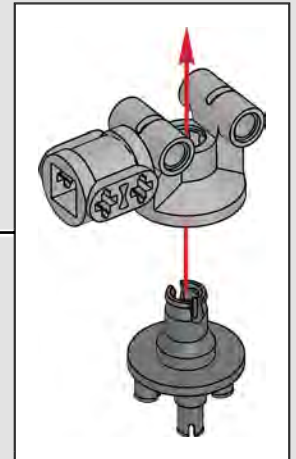
380

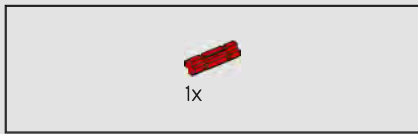


381

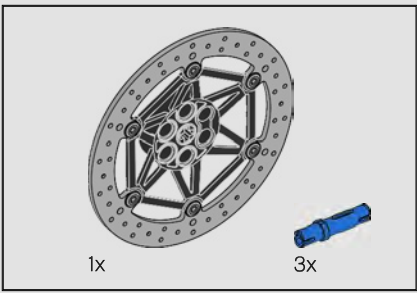
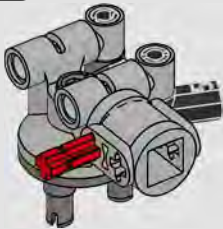


382

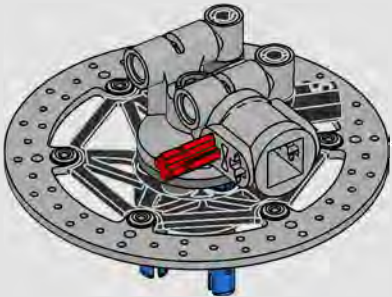
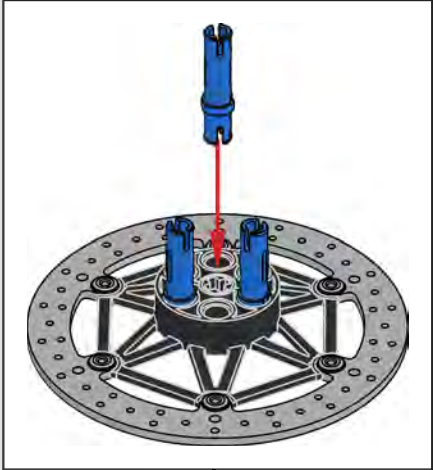


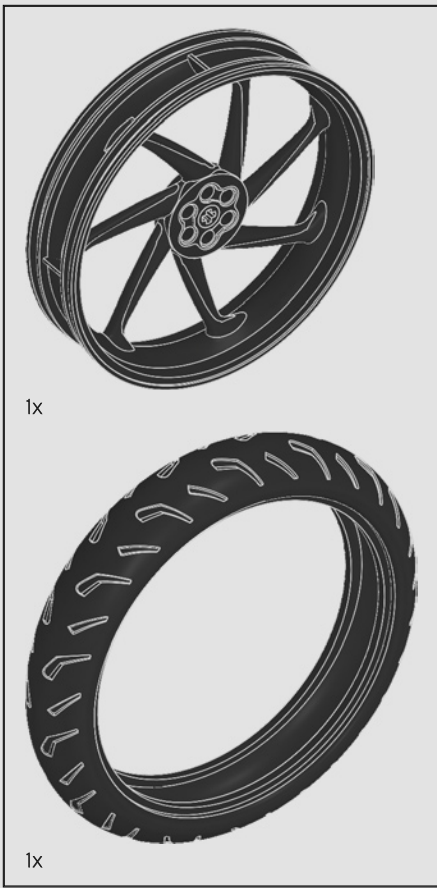


383



384

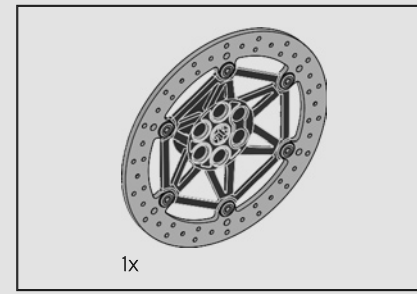




1x

1x

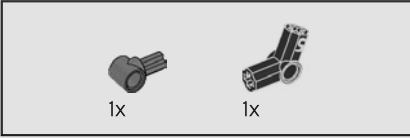
385



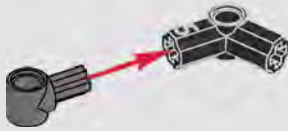
1x

386

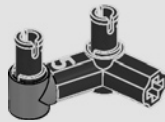




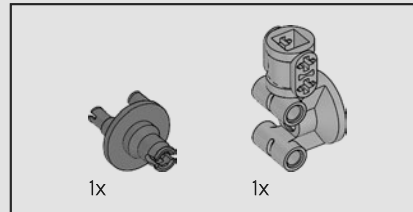
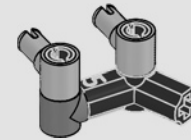
387



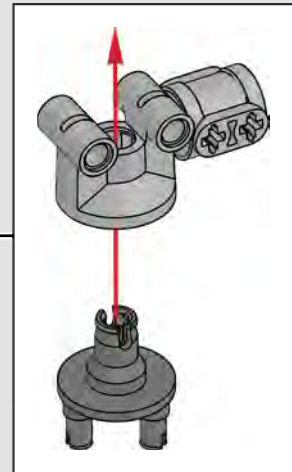
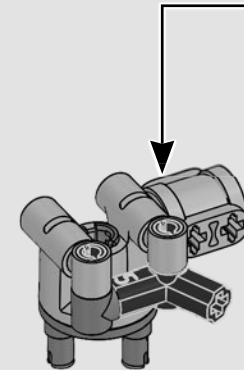
388



389



390





1x

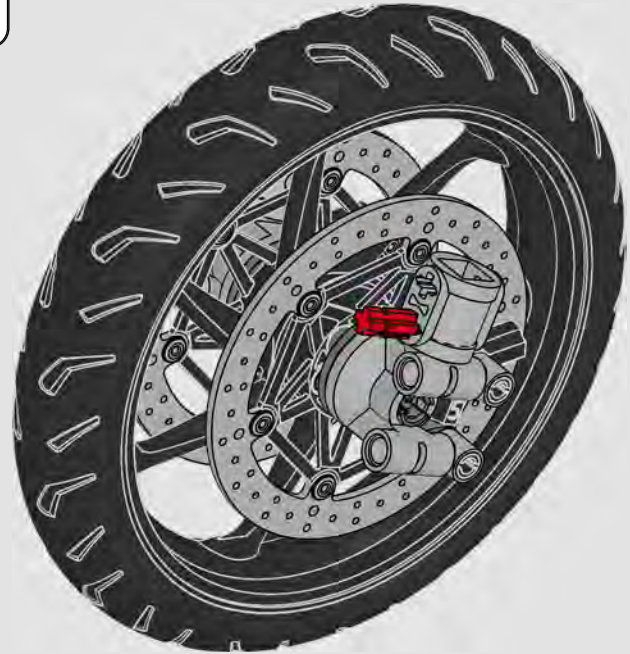
391

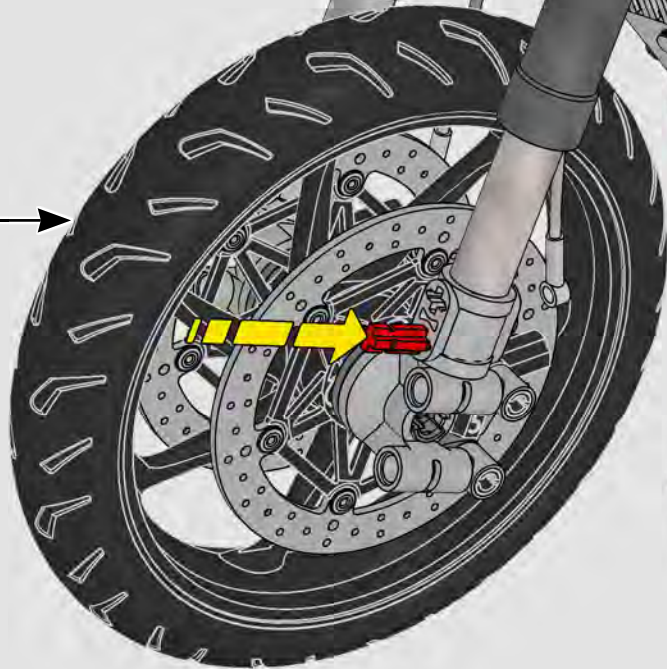
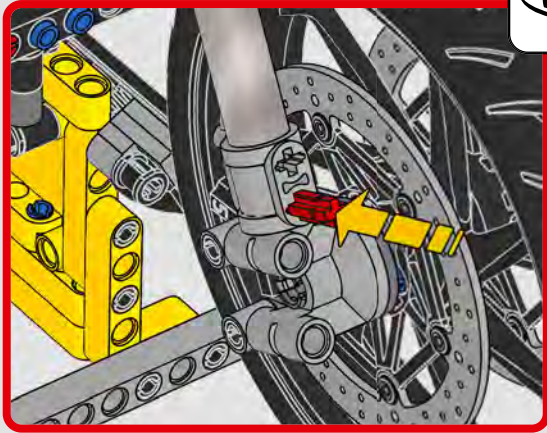


392



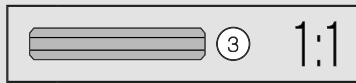
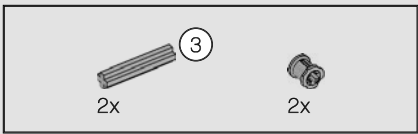
393



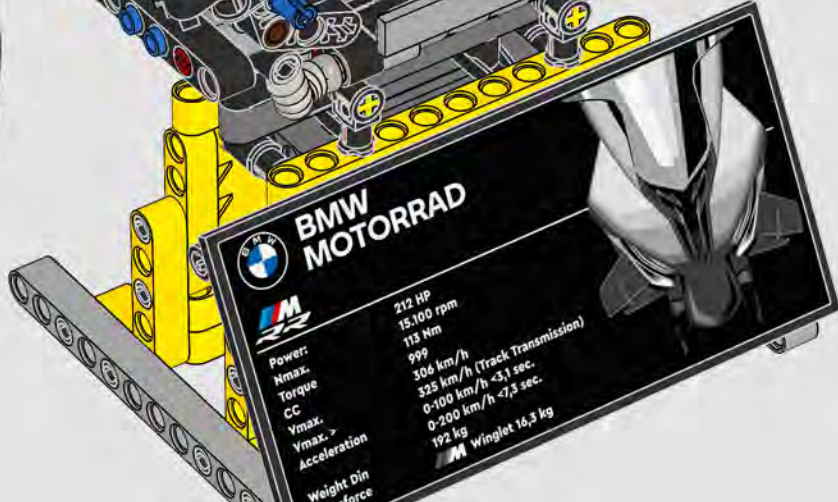
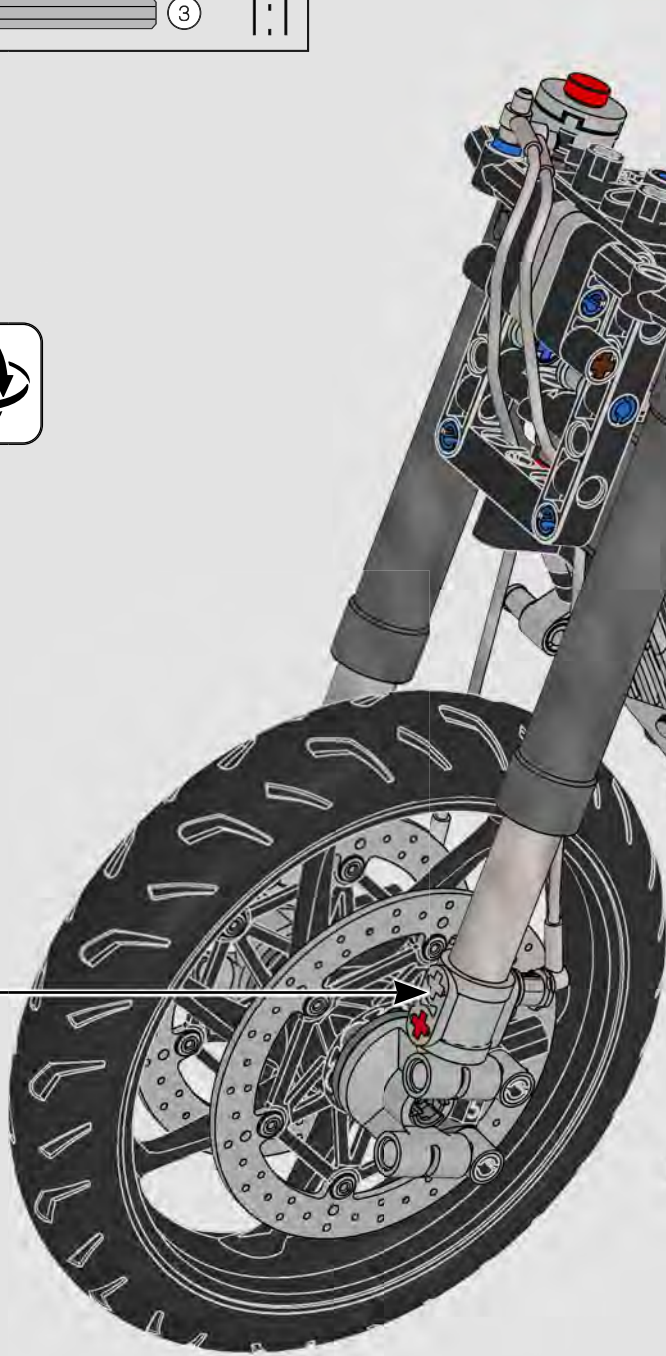
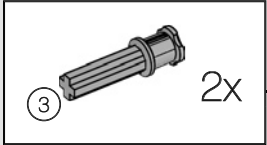
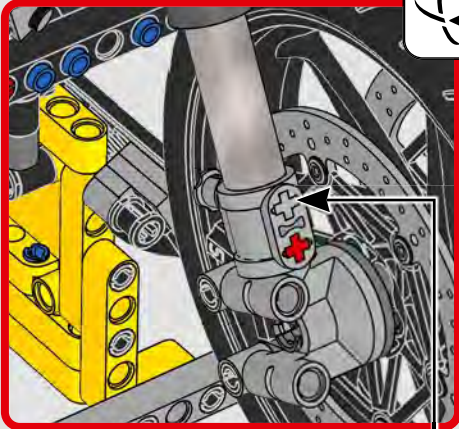


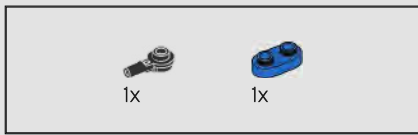
**BMW
MOTORRAD**

Power:	212 HP
Hmax:	15,100 rpm
Torque	115 Nm
CC	999
Vmax.	306 km/h (Track Transmission)
Acceleration	0-100 km/h < 3.1 sec.
	0-200 km/h < 7.5 sec.
Weight	192 kg
Downforce	Winglet 16,3 kg



395

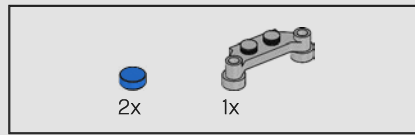




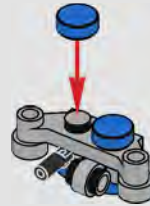
396



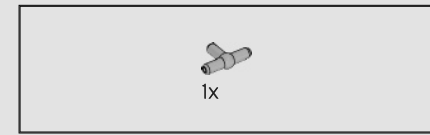
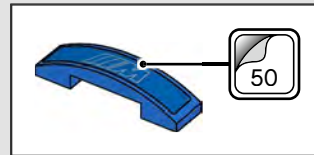
397



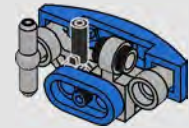
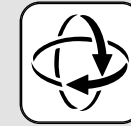
398

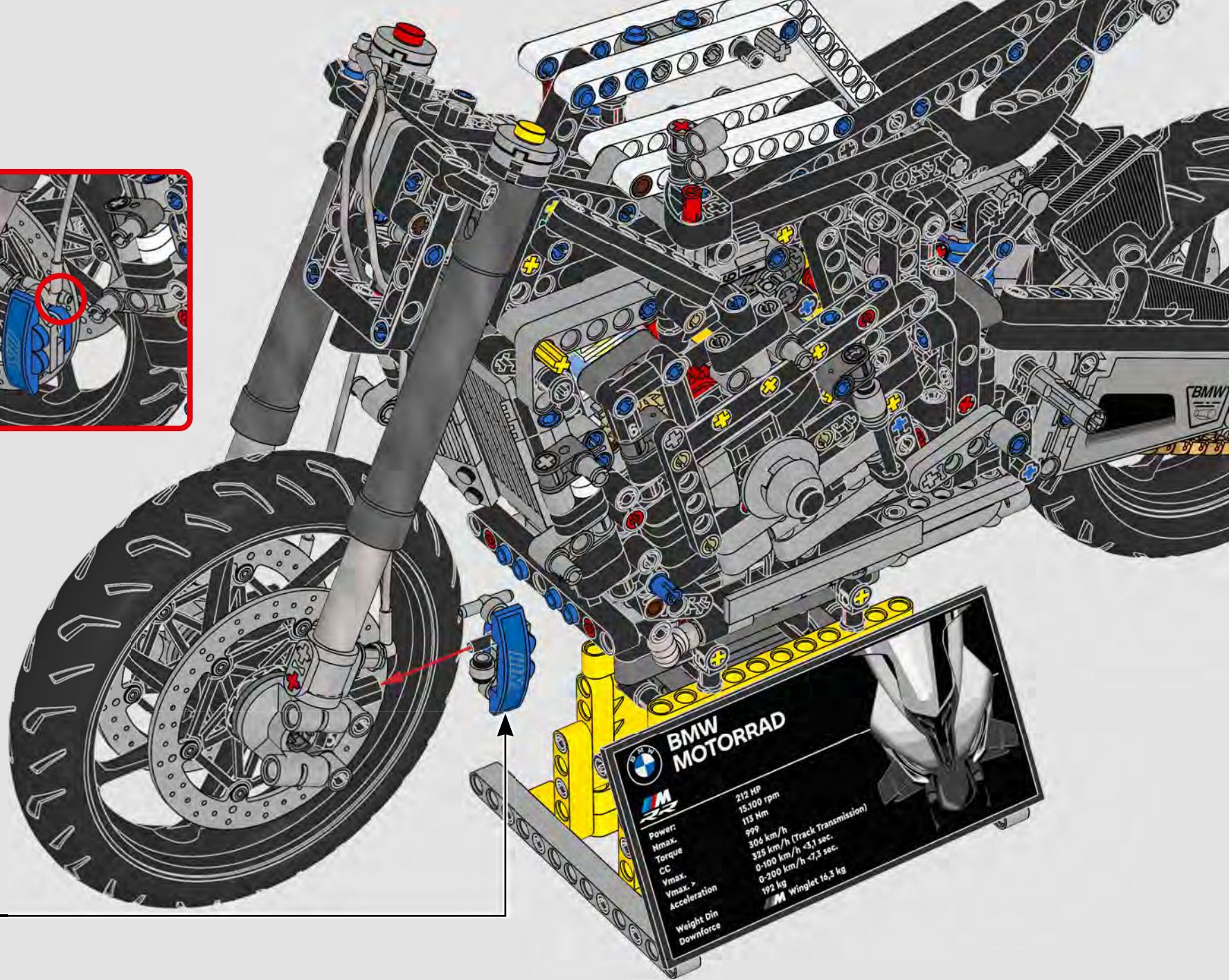
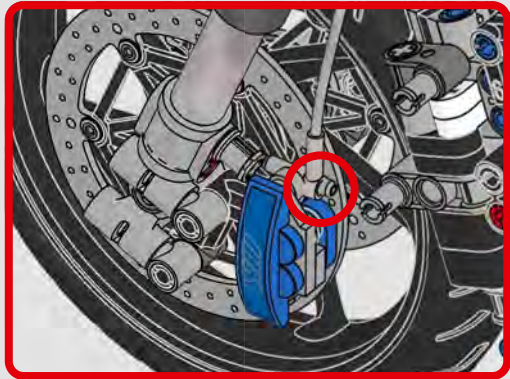


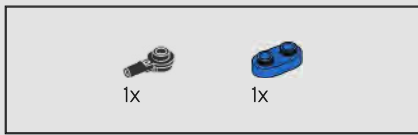
399



400



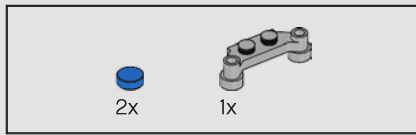




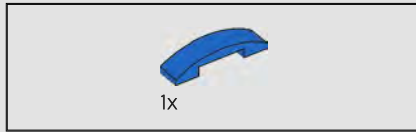
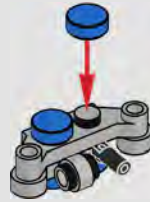
402



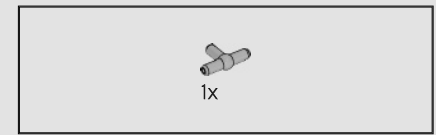
403



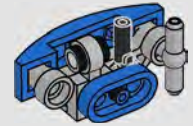
404

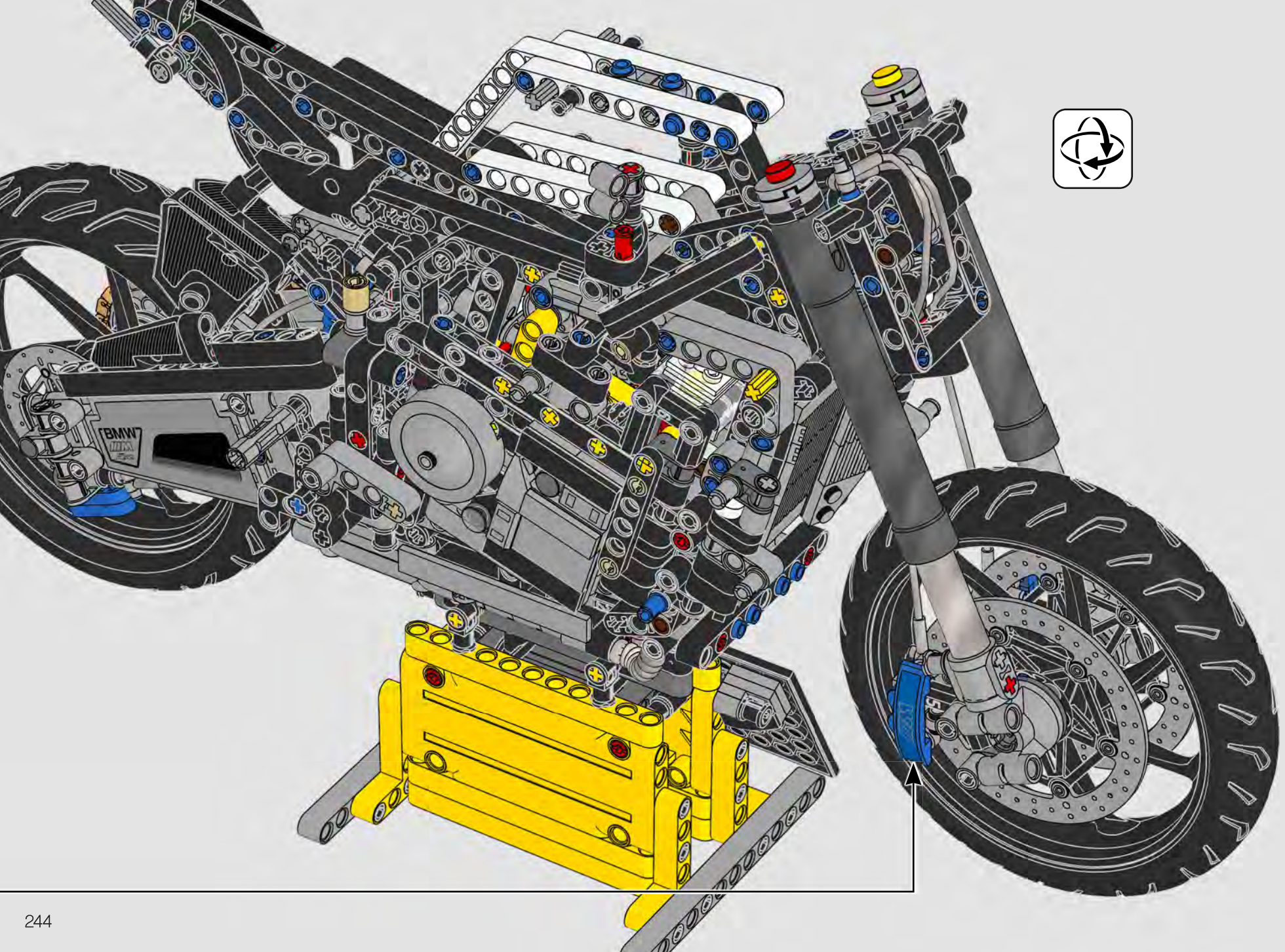


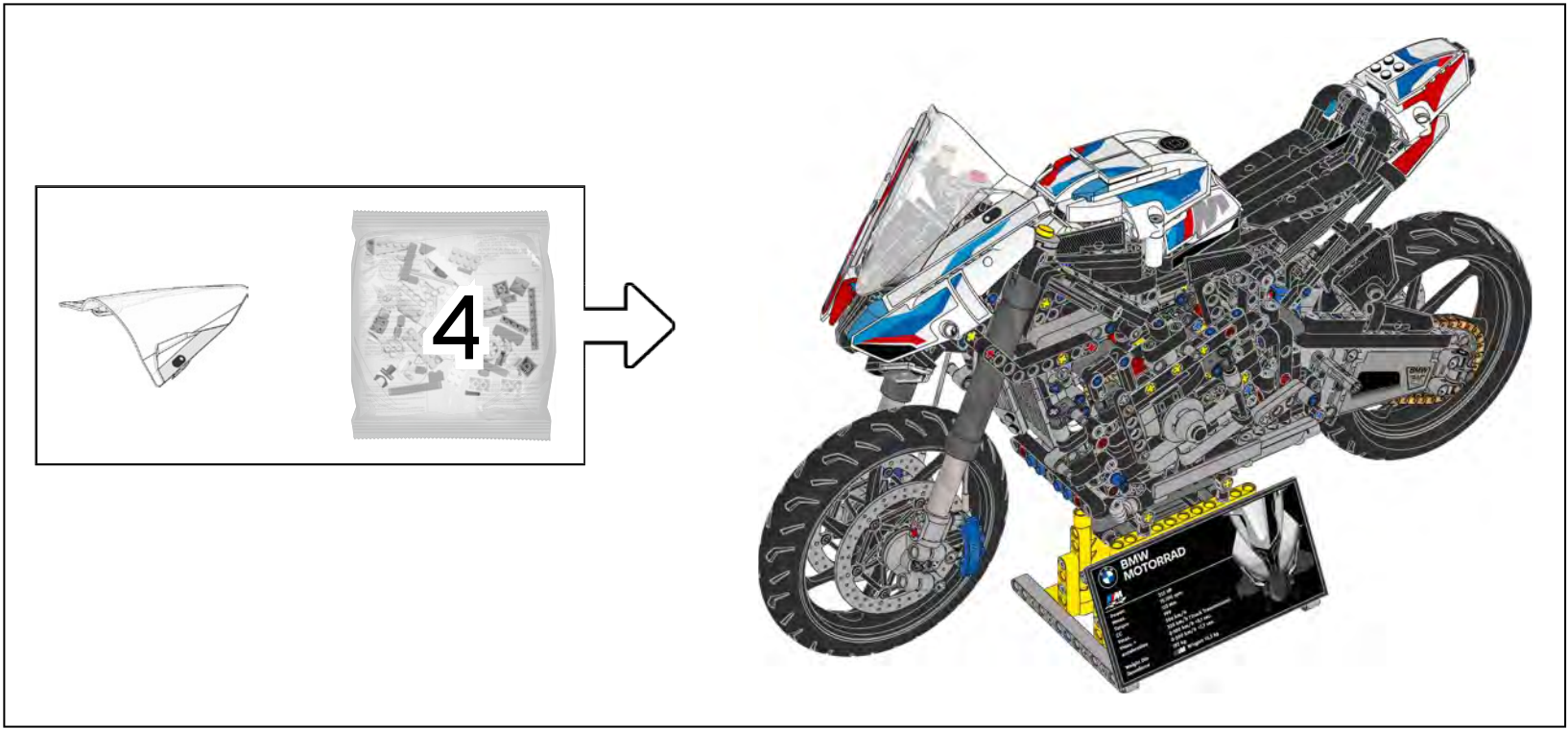
405

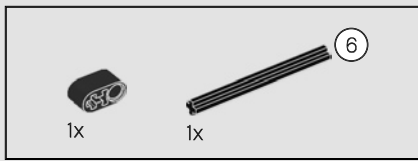


406

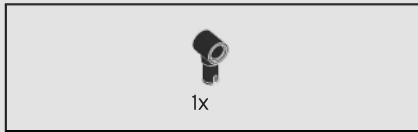
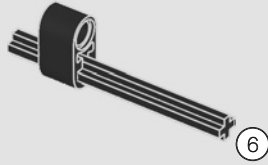




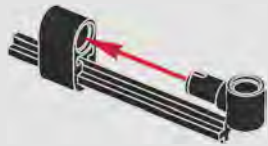




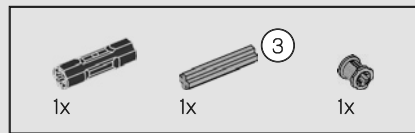
407



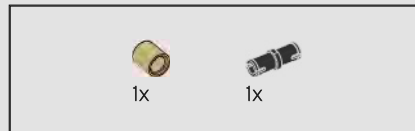
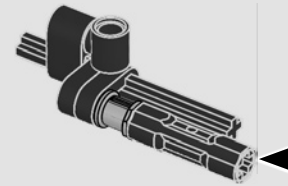
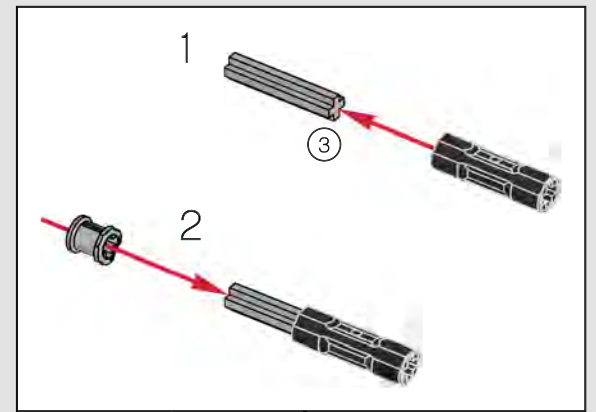
408



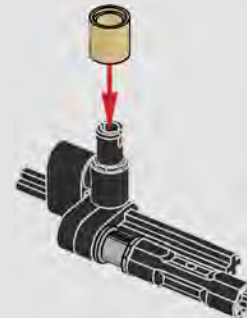
409

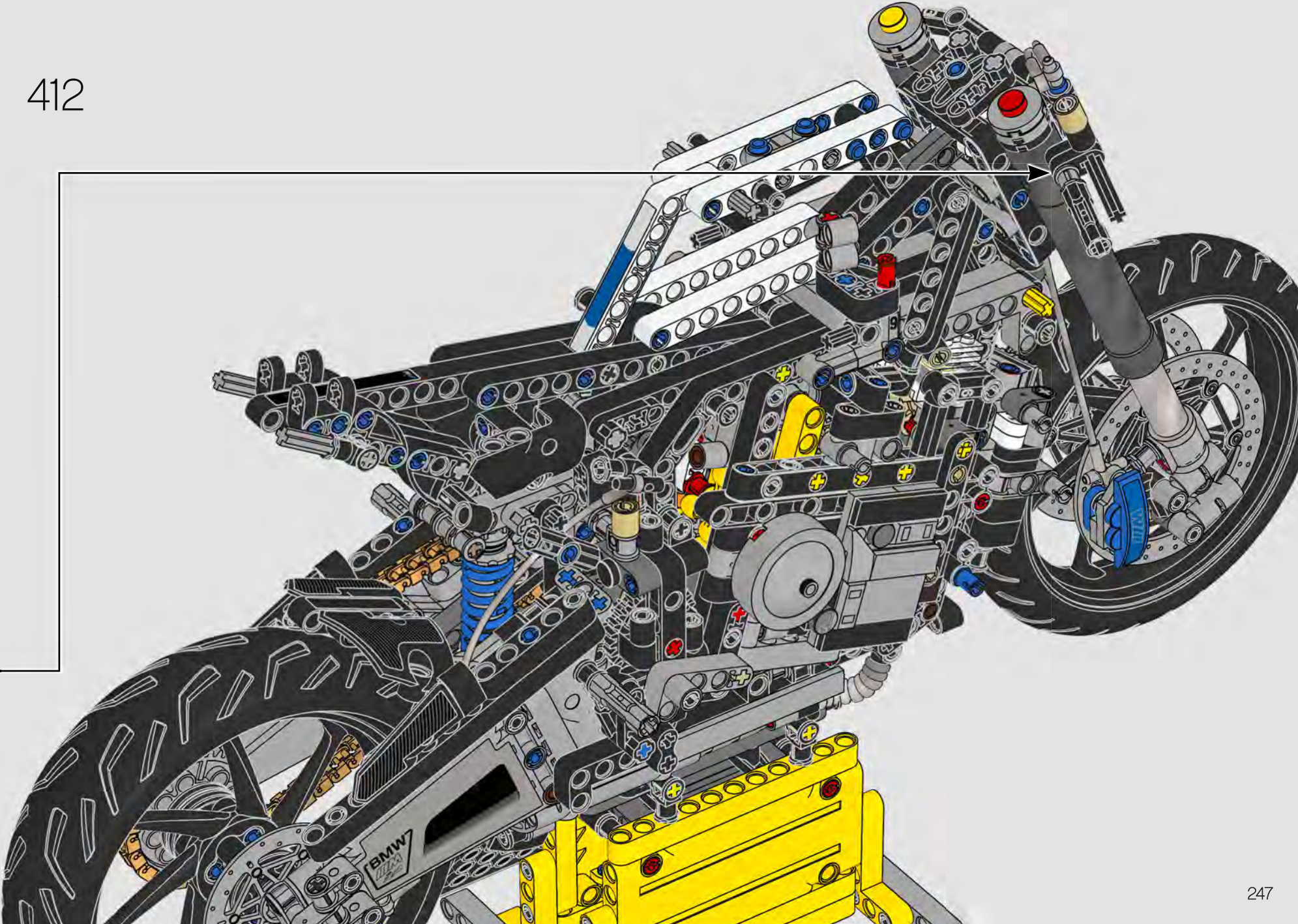


410



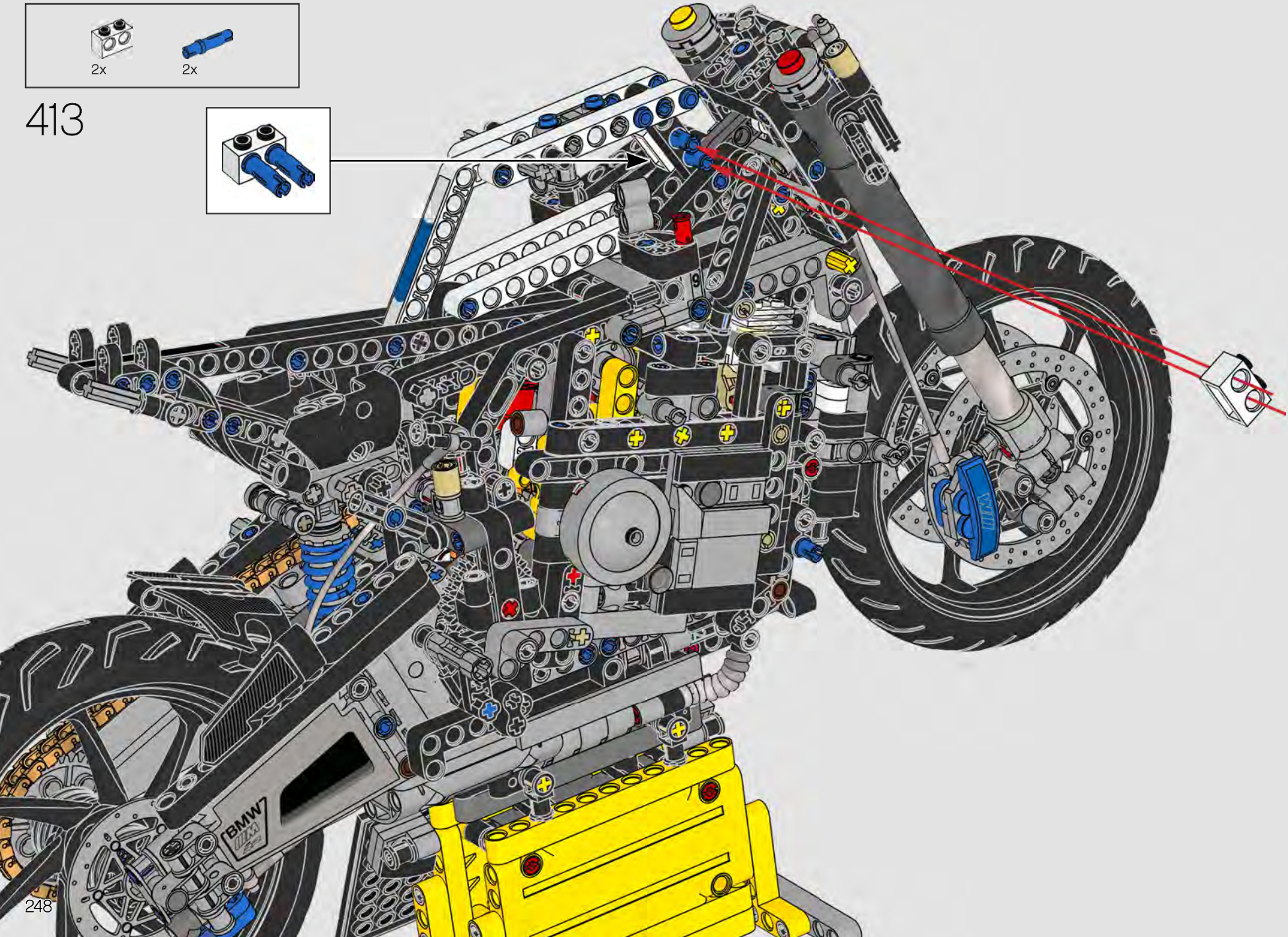
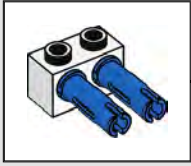
411

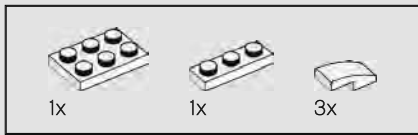




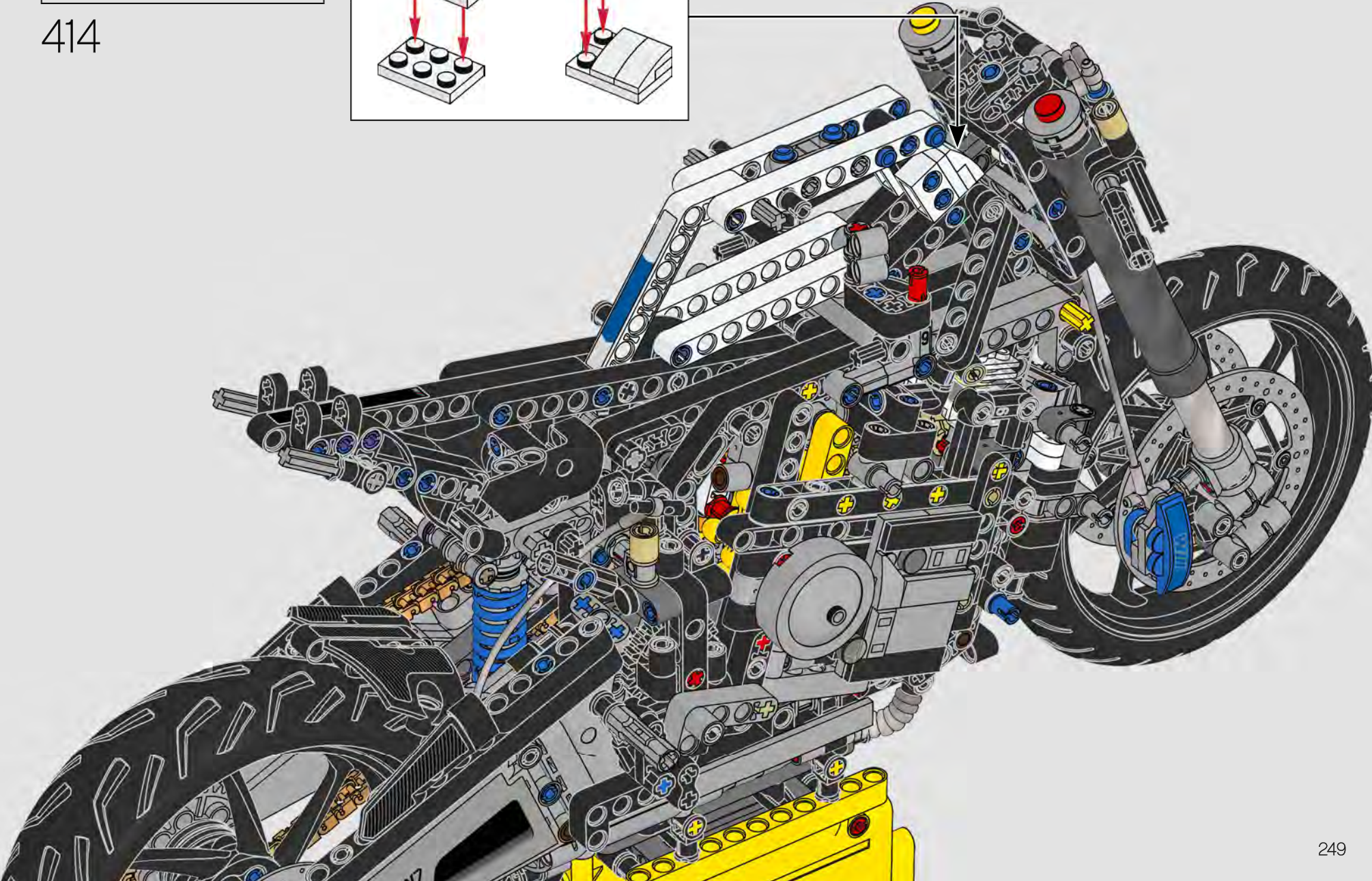
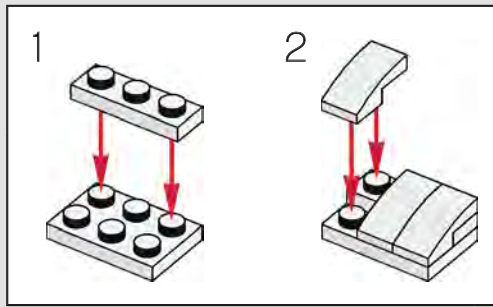


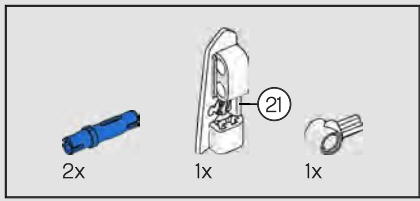
413



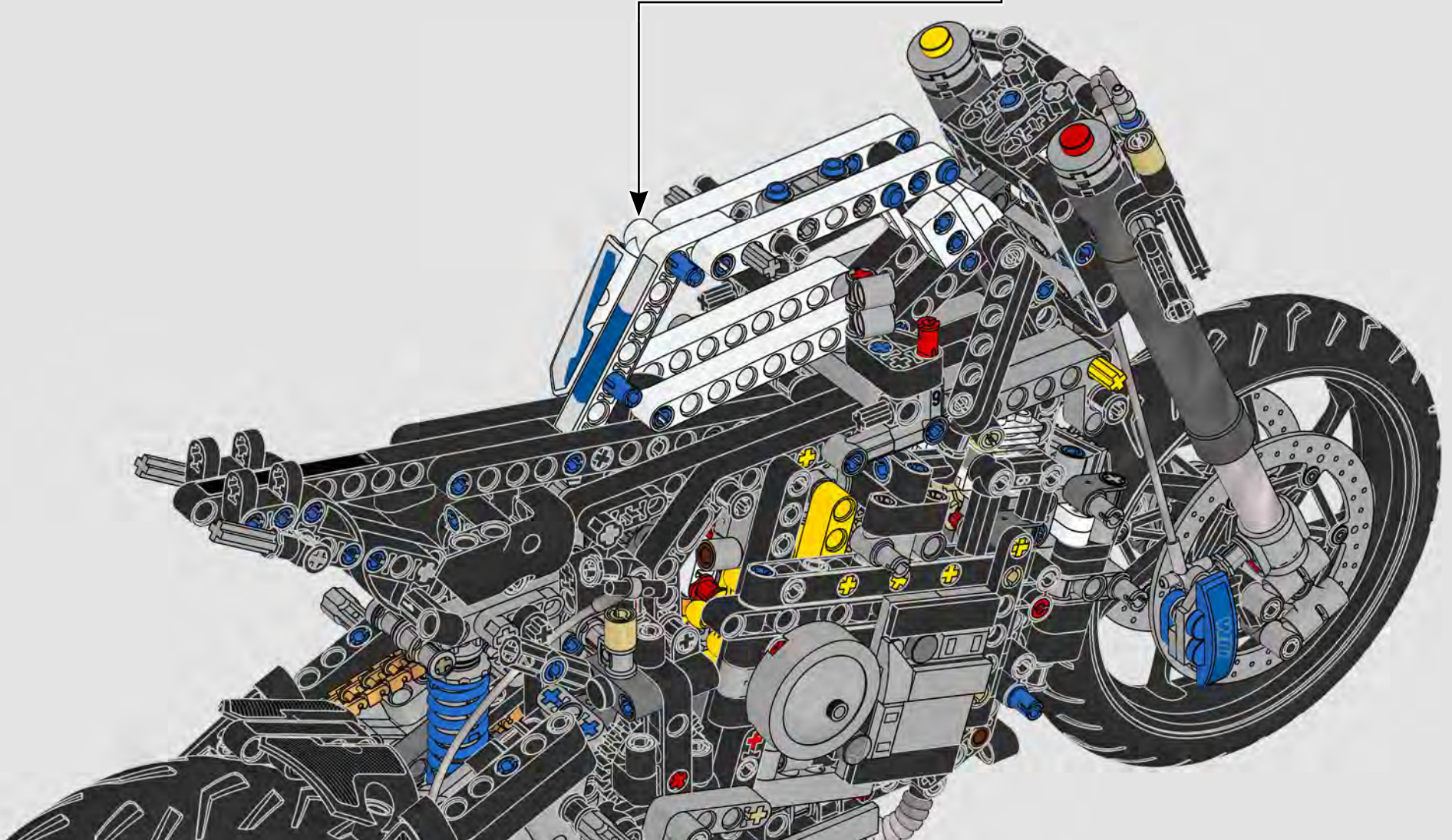
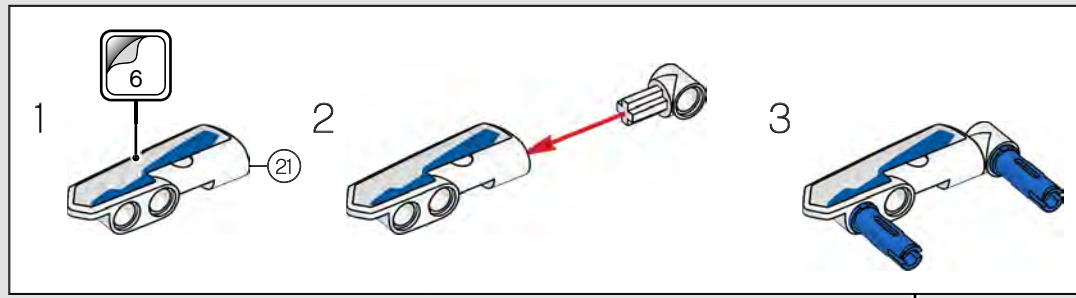


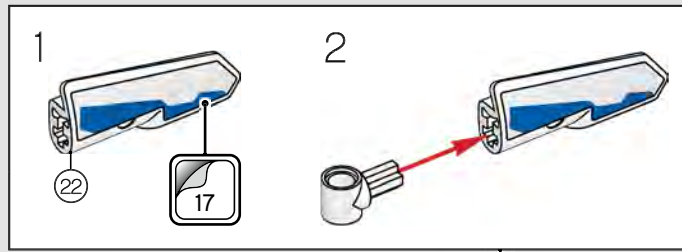
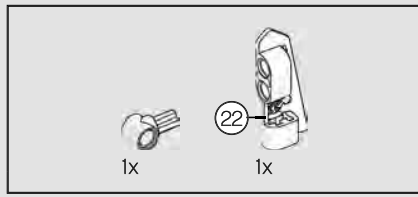
414



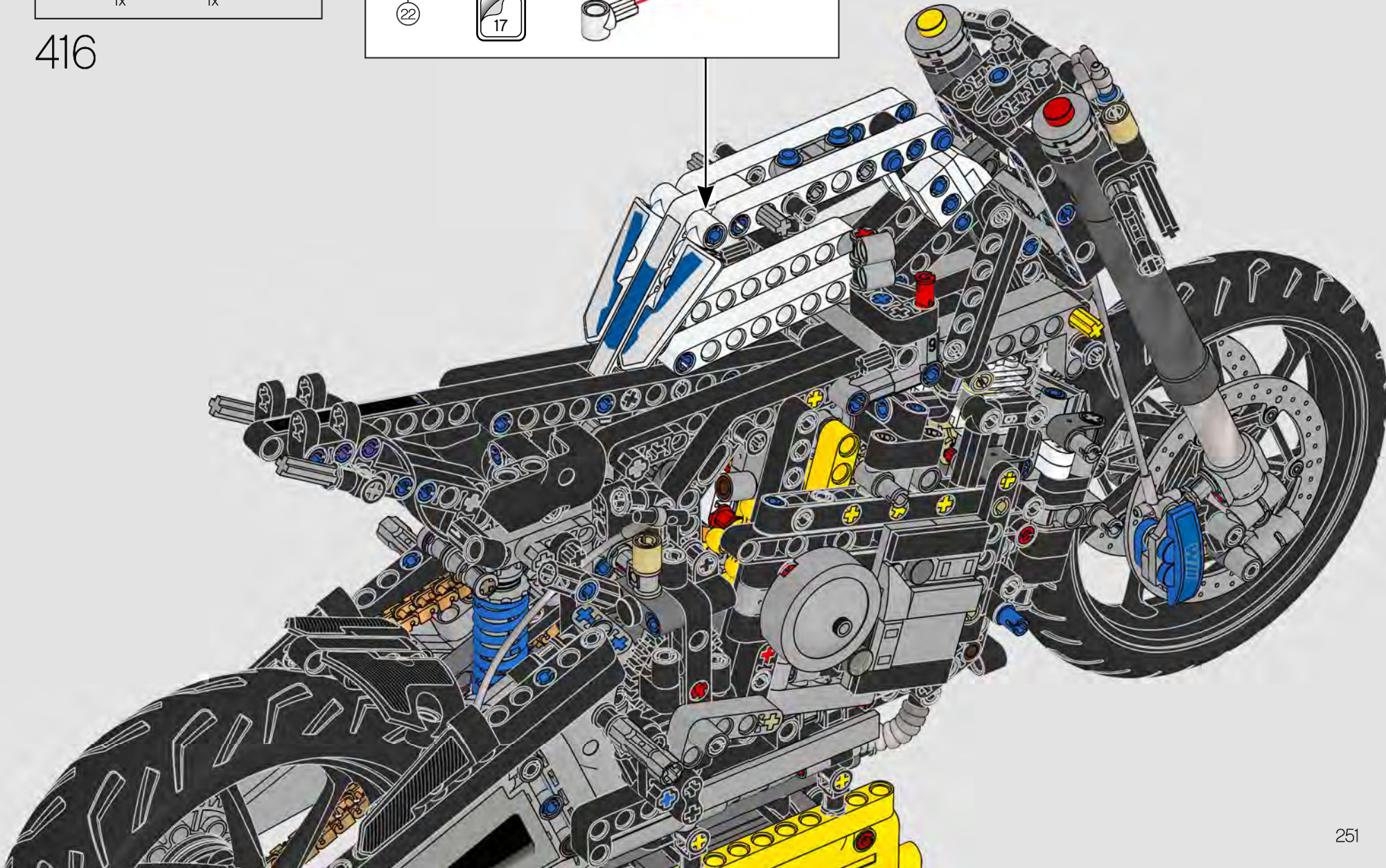


415



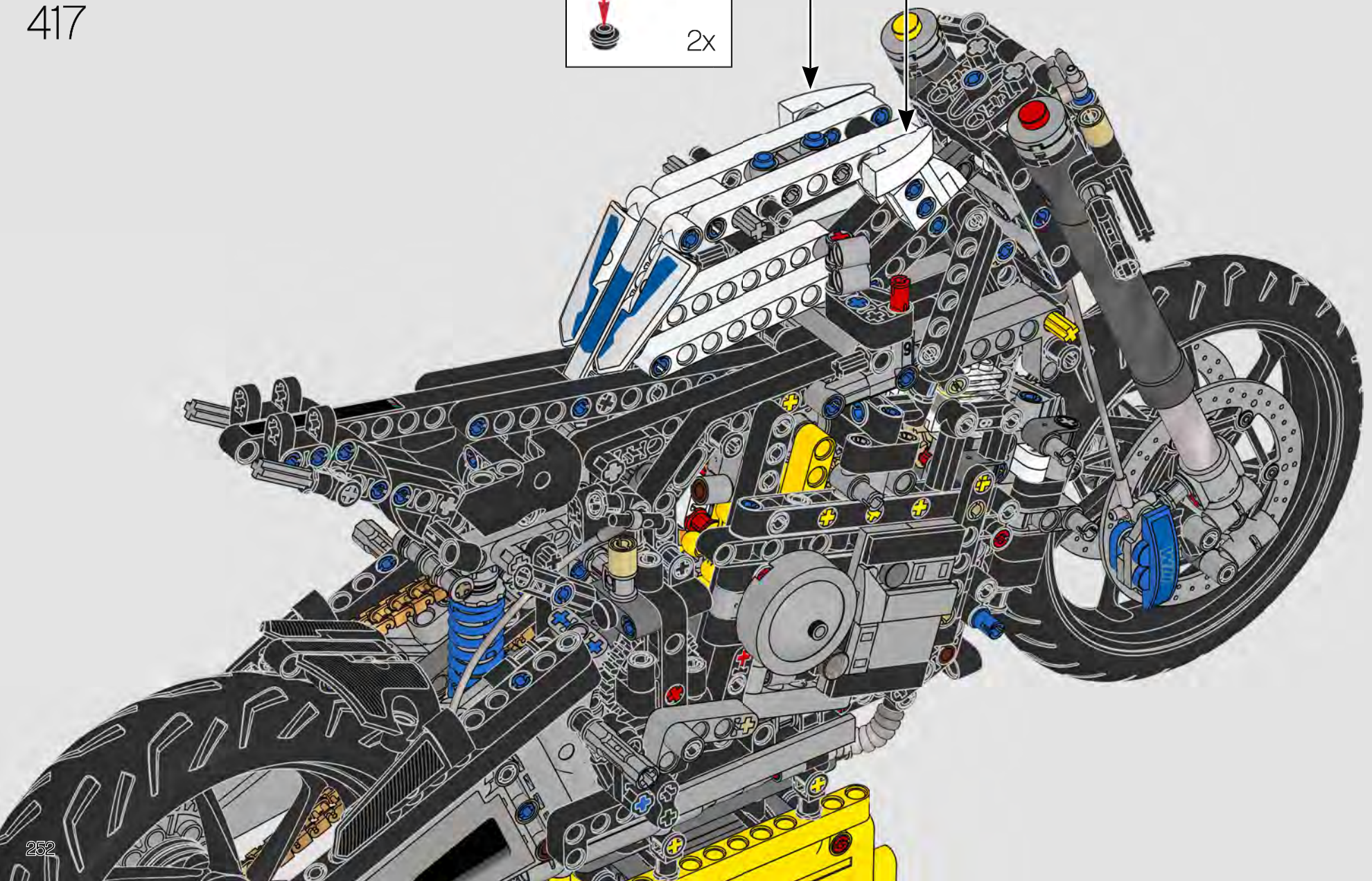
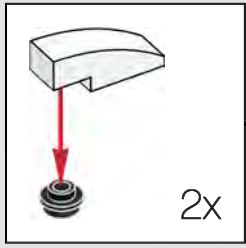


416



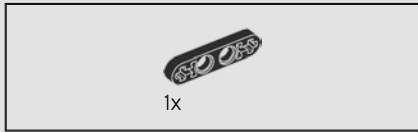


417

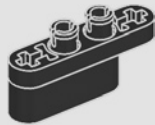




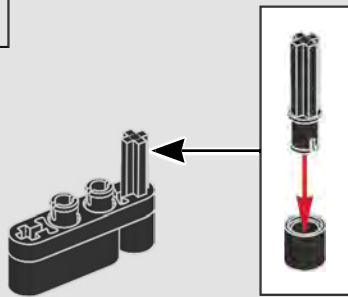
418



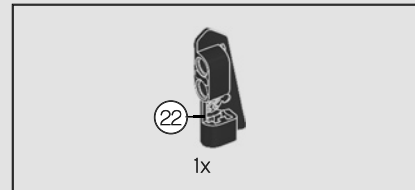
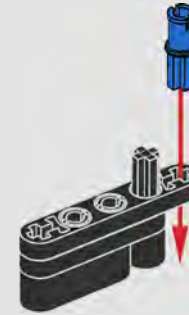
419



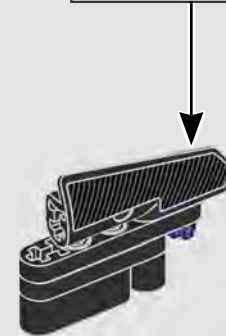
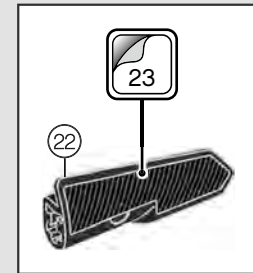
420

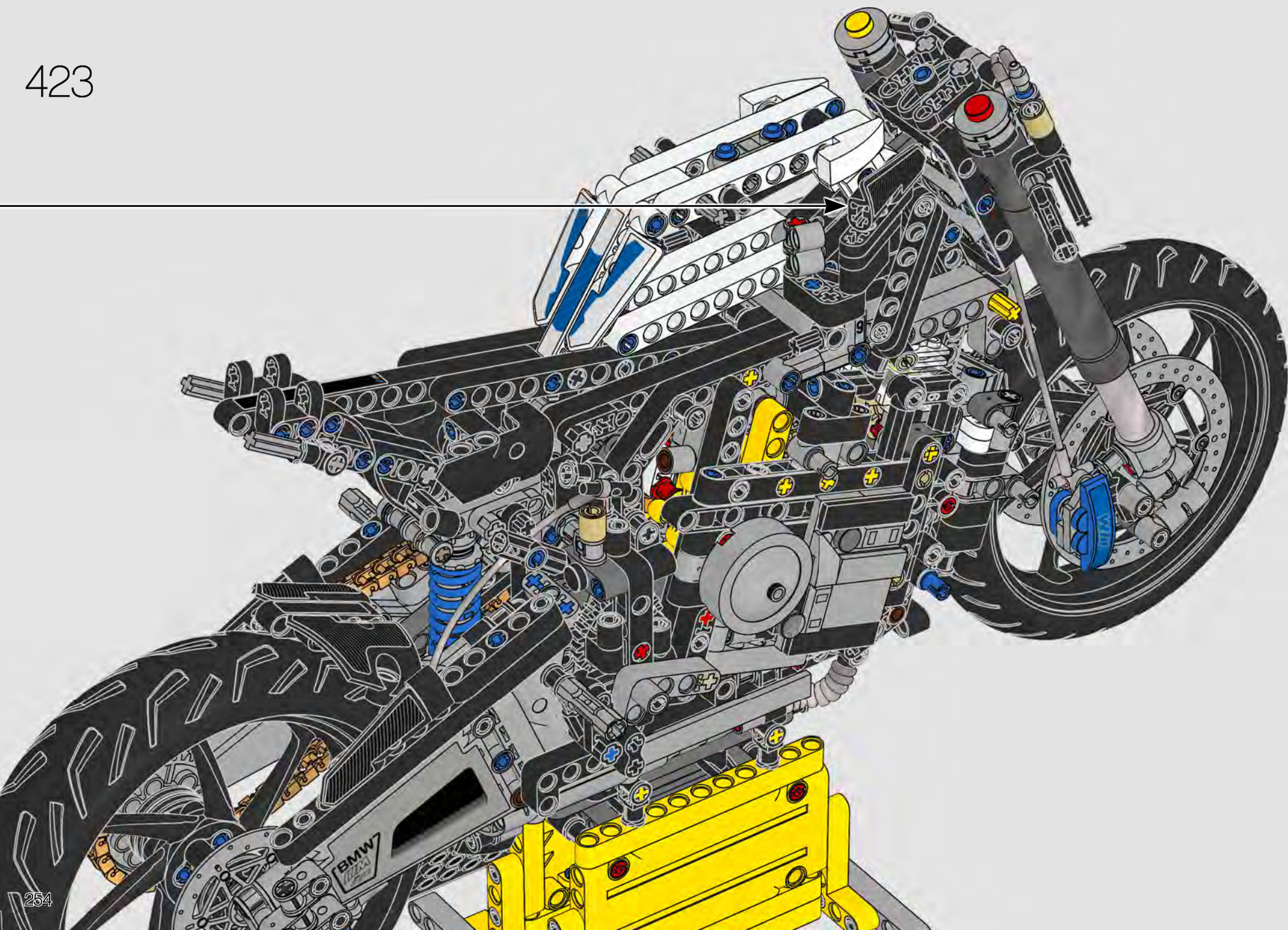


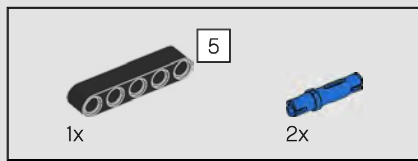
421



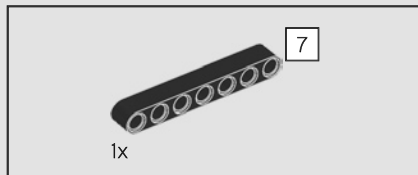
422



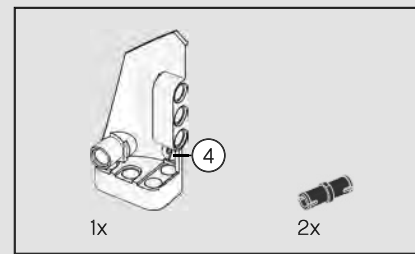
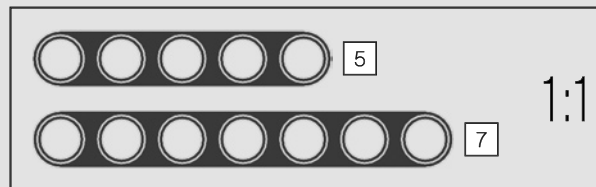
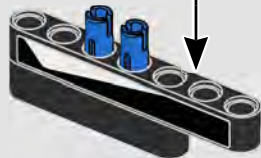
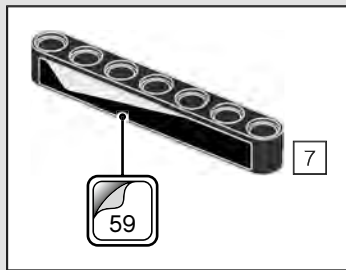




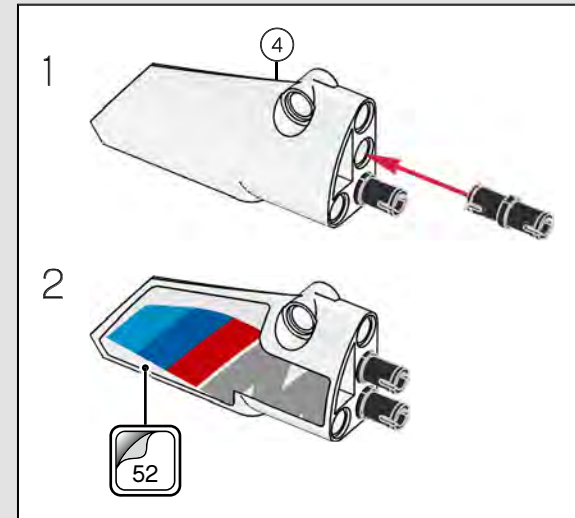
424



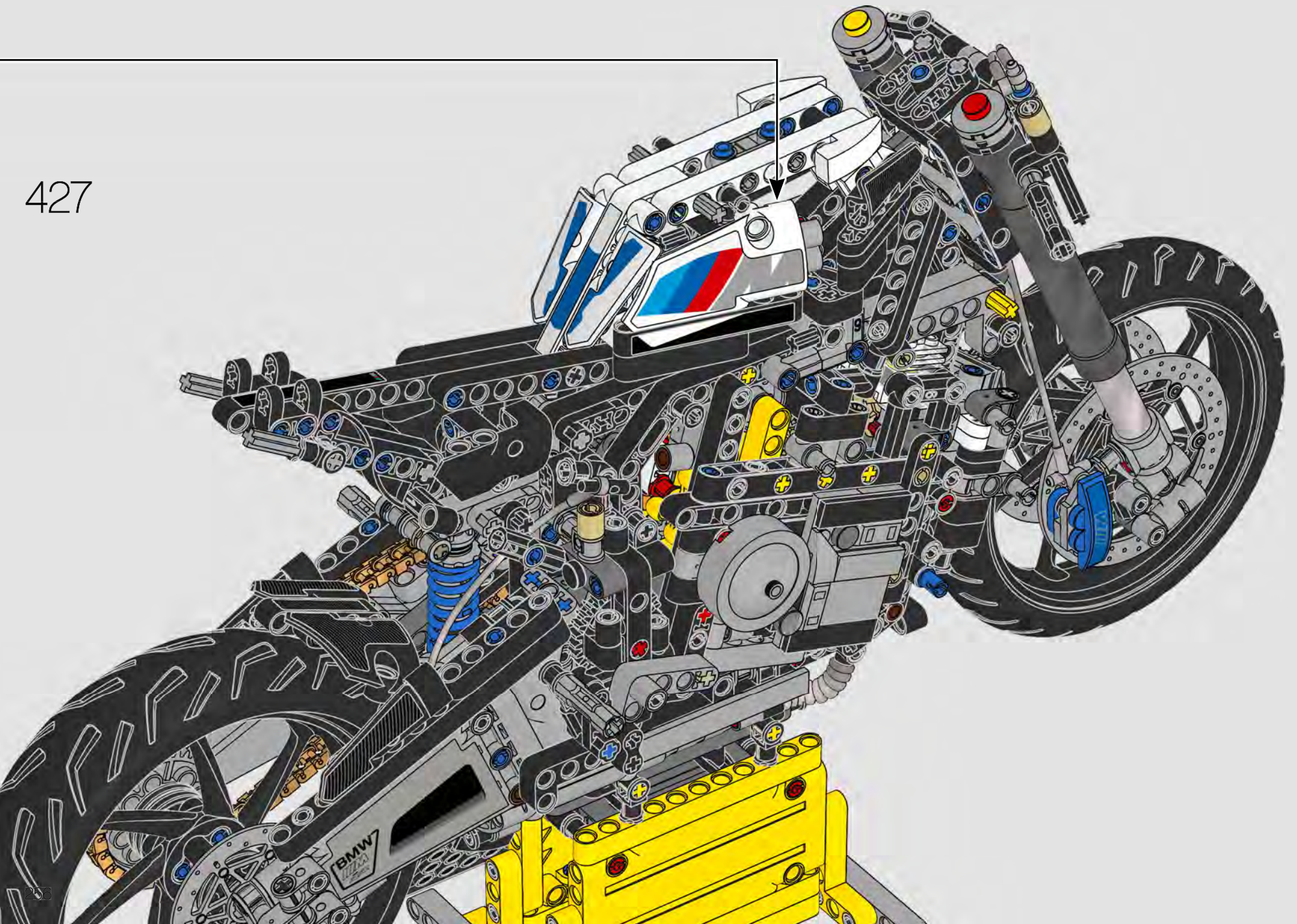
425

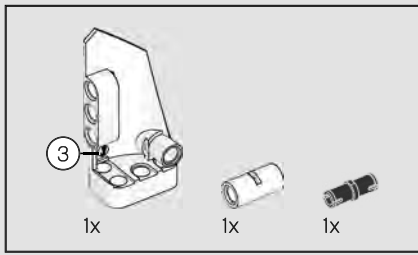


426

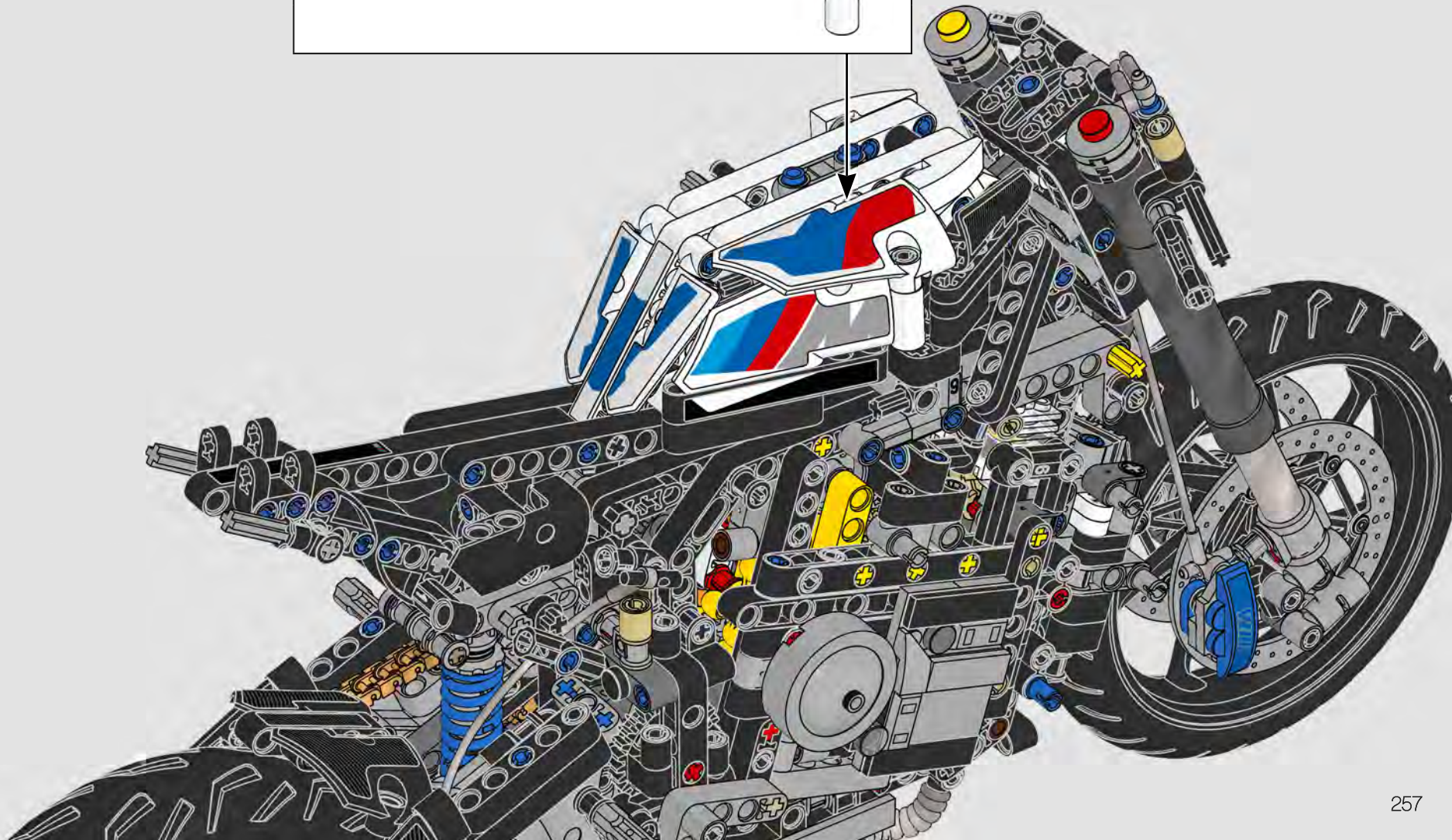
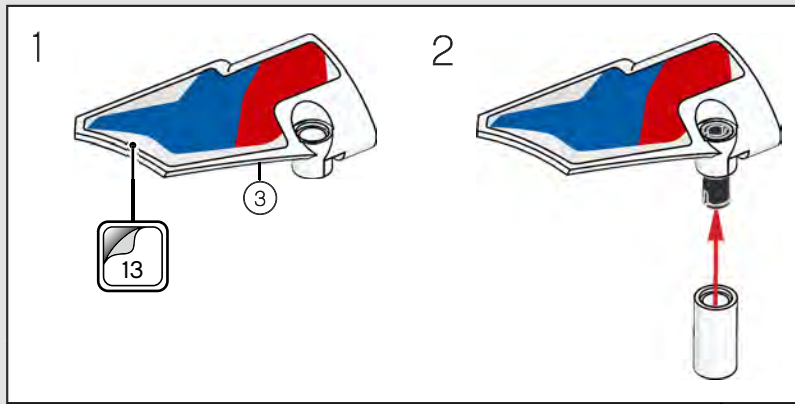


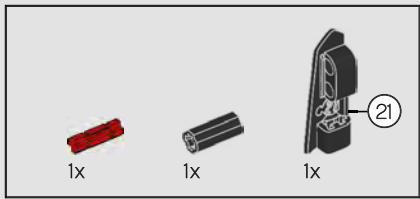
427



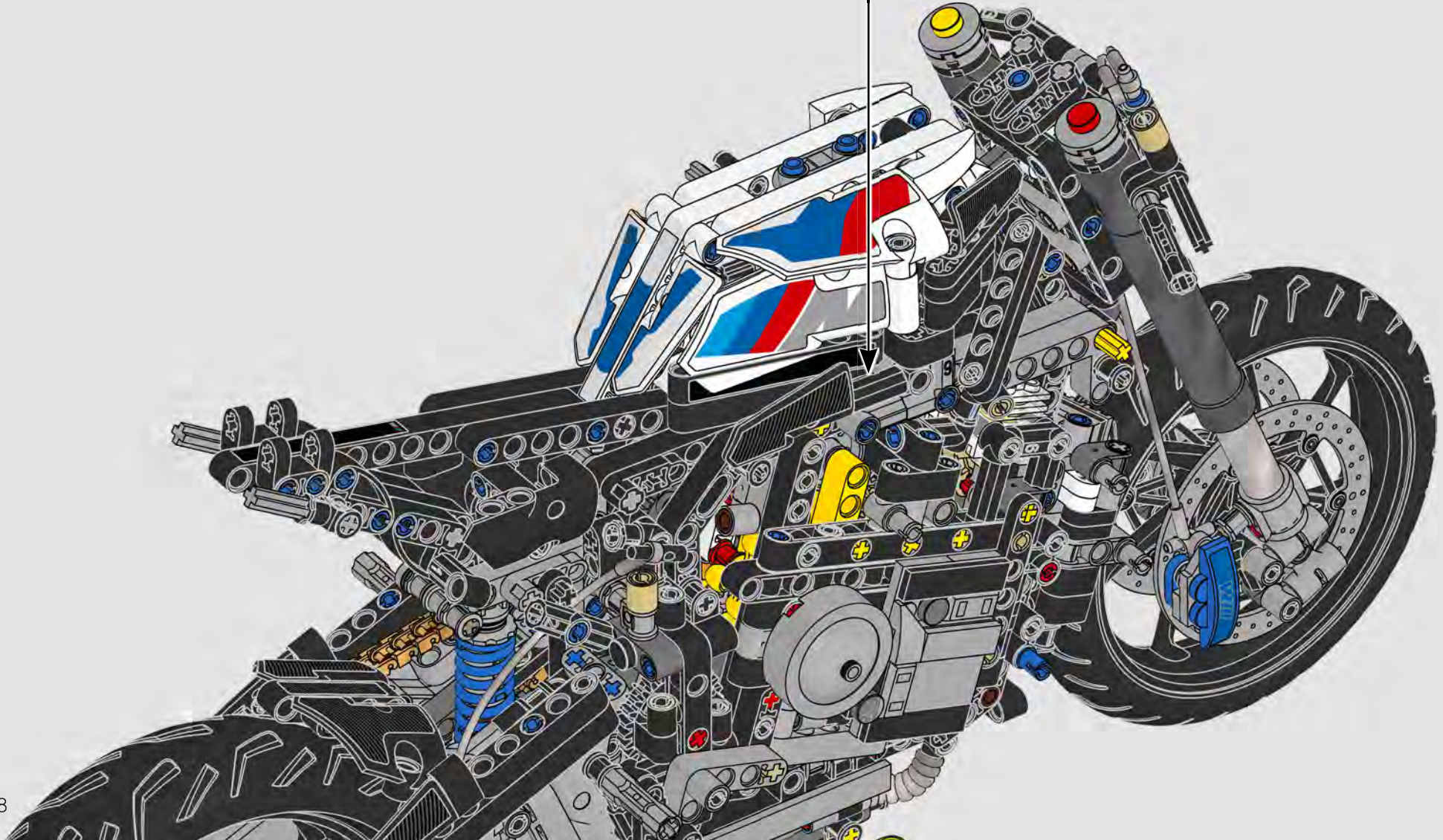
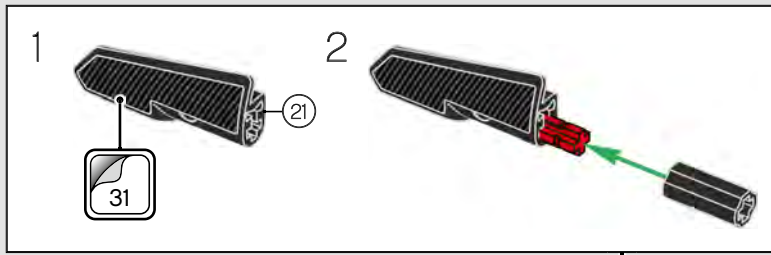


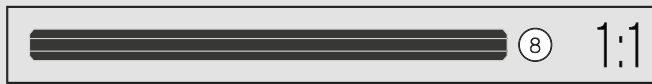
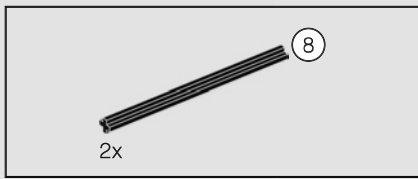
428



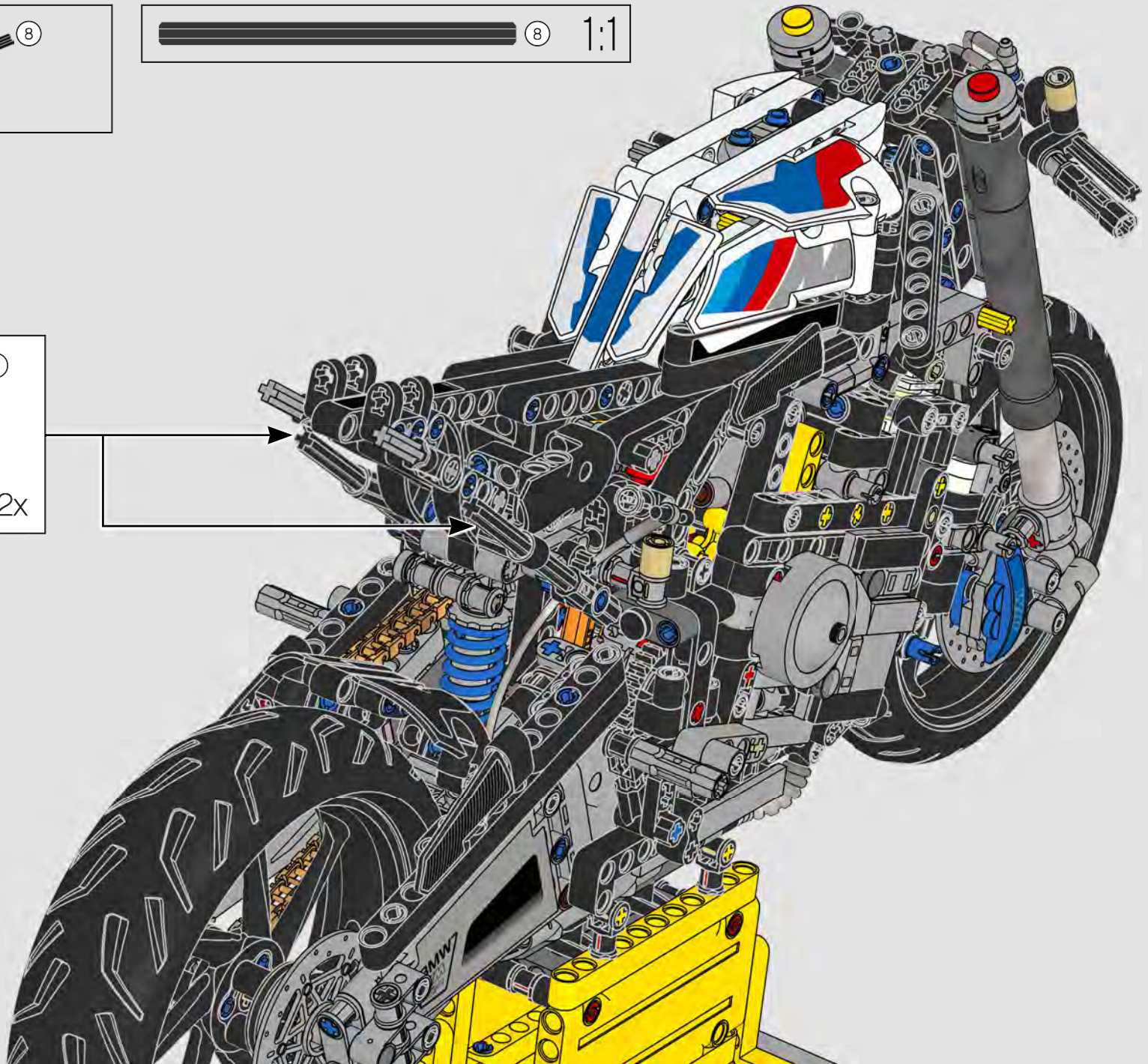
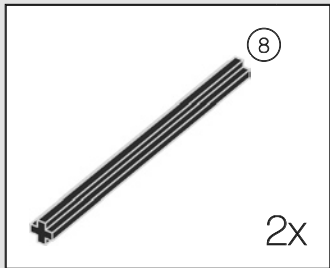


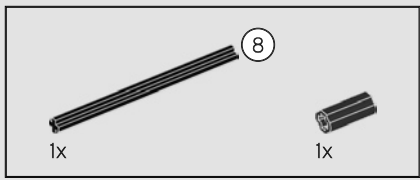
429



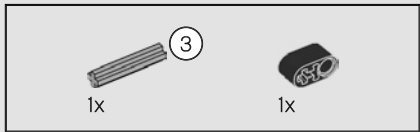


430

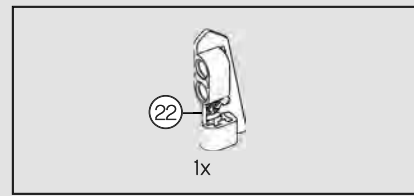
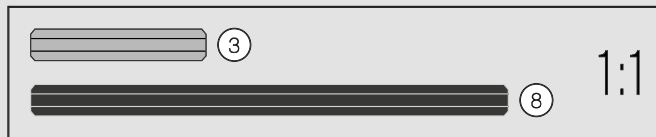
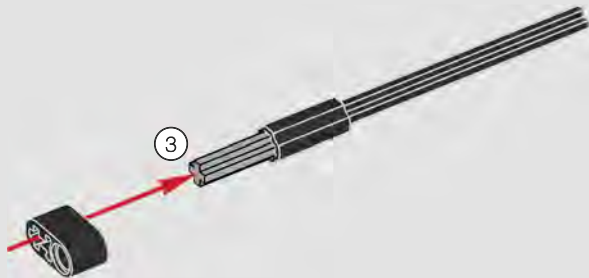




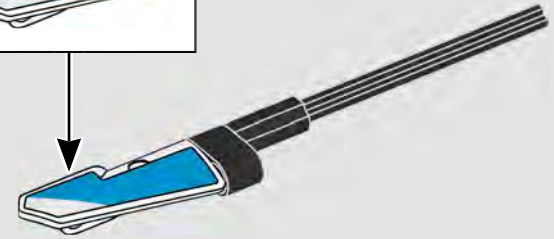
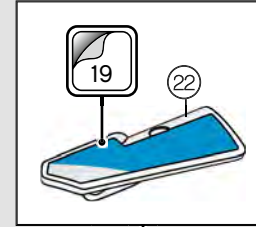
431



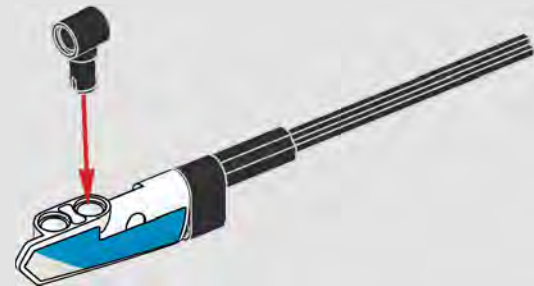
432



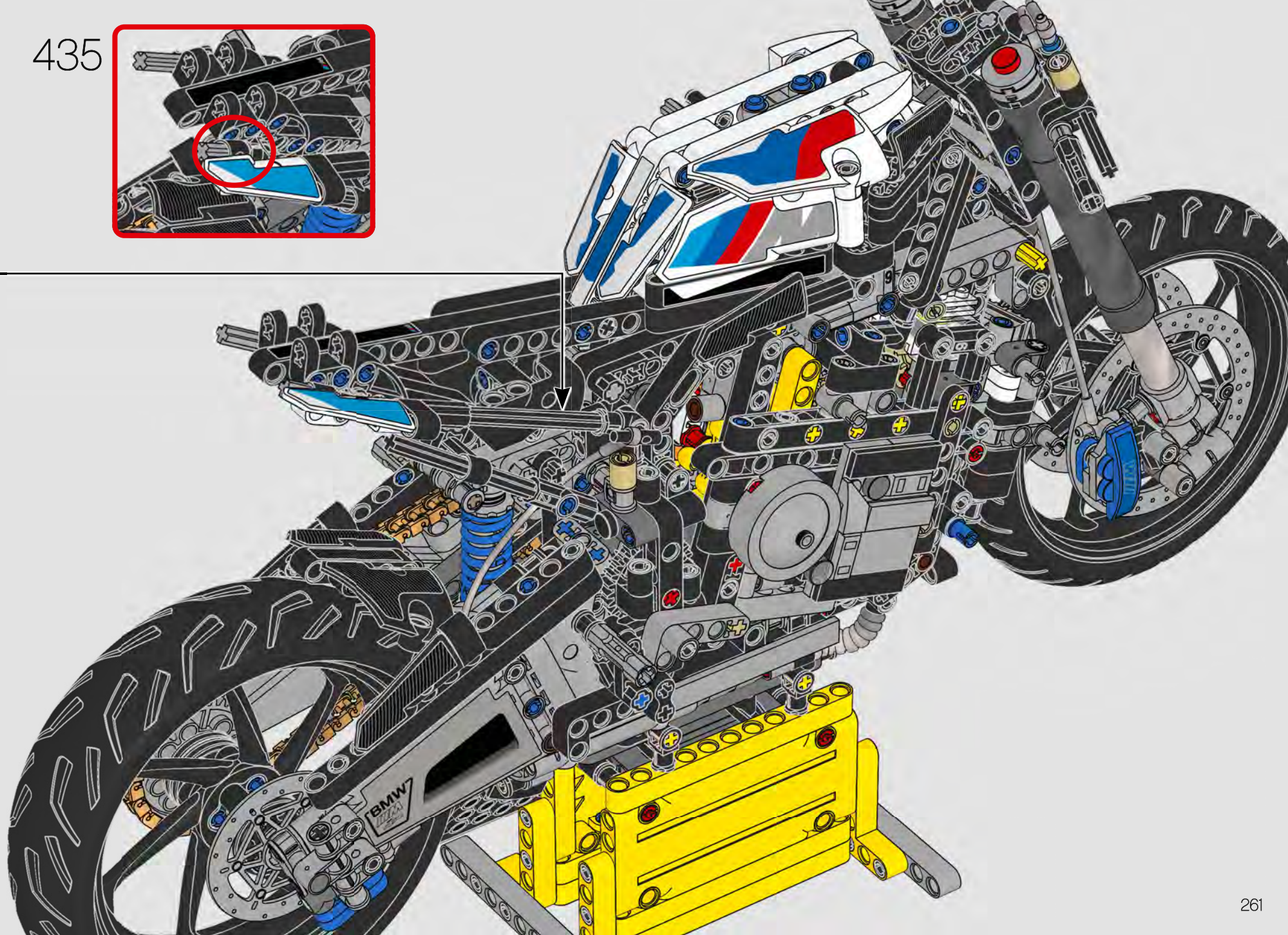
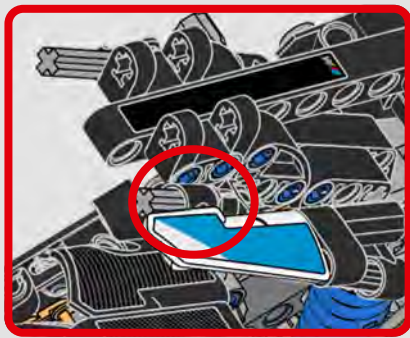
433

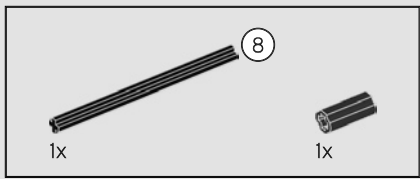


434

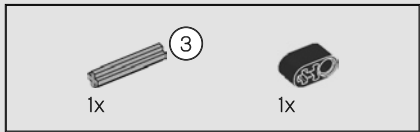


435

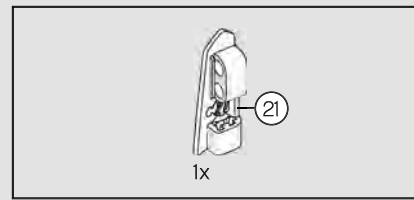
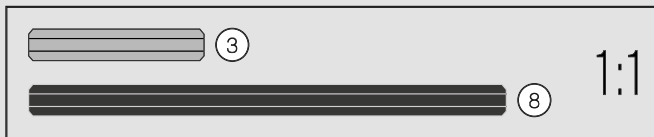
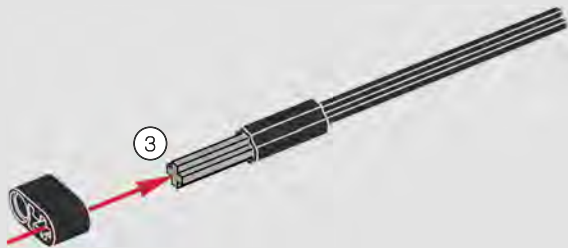




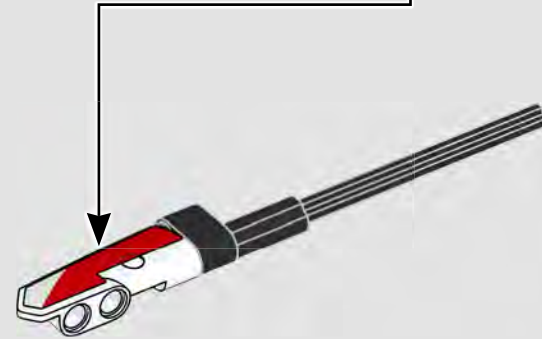
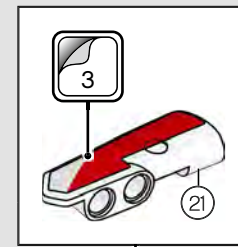
436



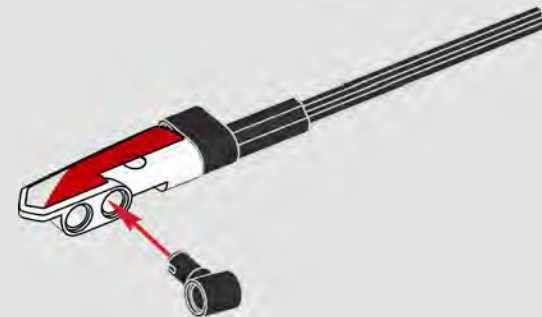
437

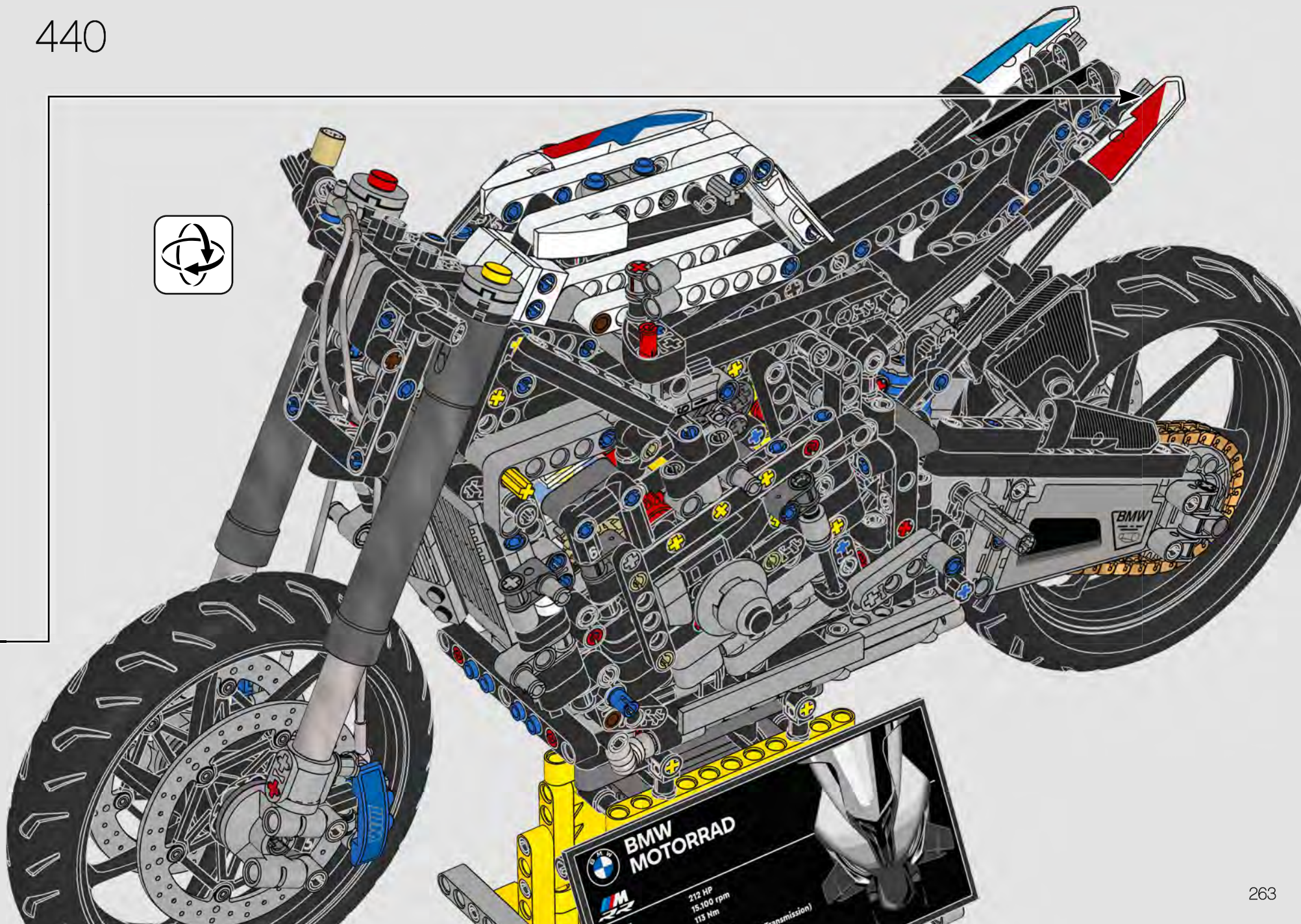


438



439

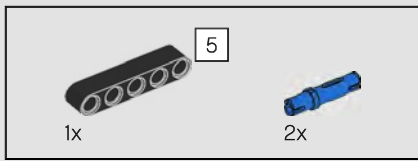




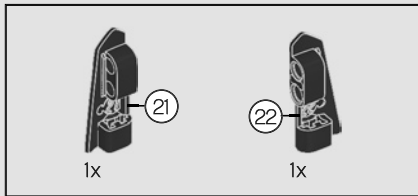
BMW
MOTORRAD

212 HP
15,100 rpm
113 Nm

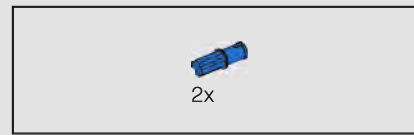
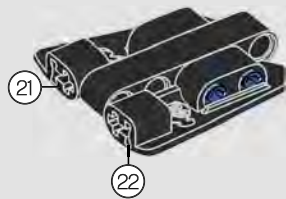
(Transmission)



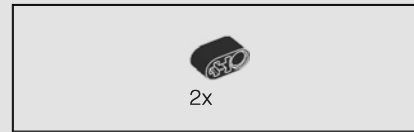
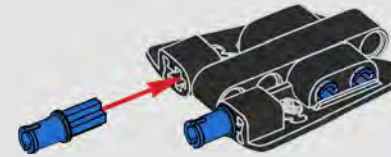
441



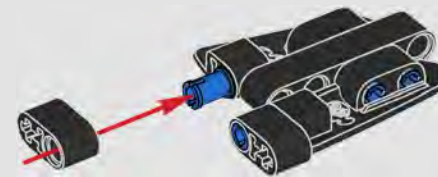
442



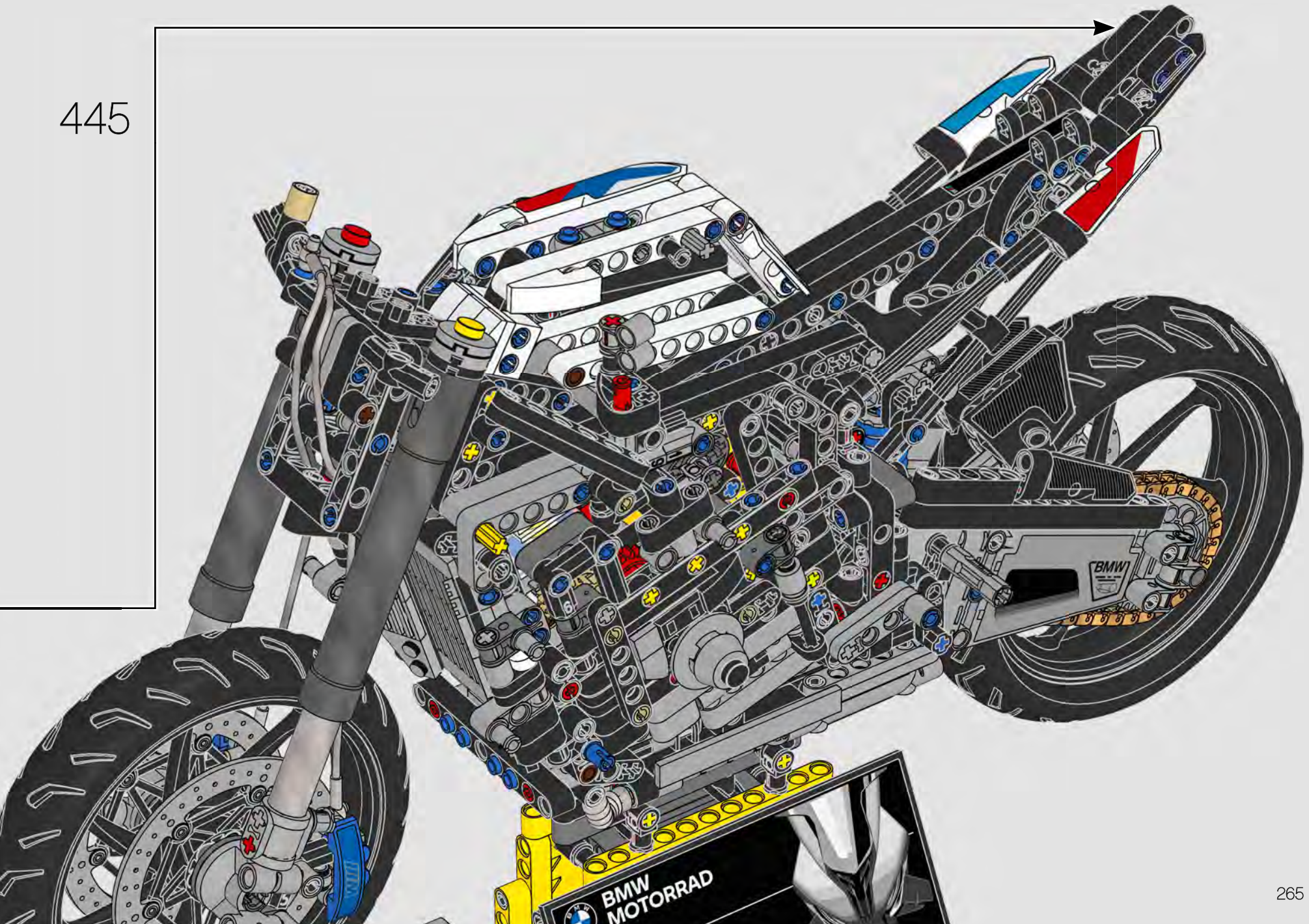
443



444

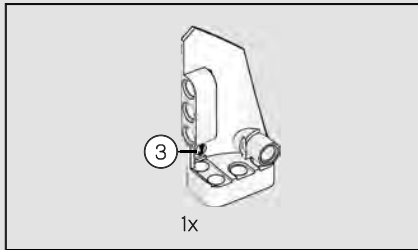
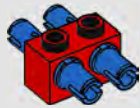


445

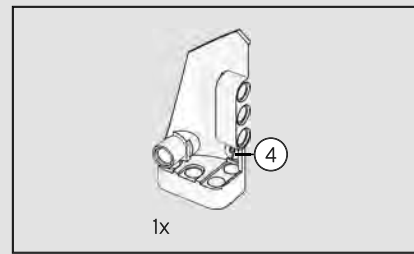
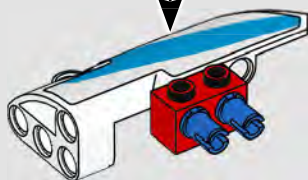
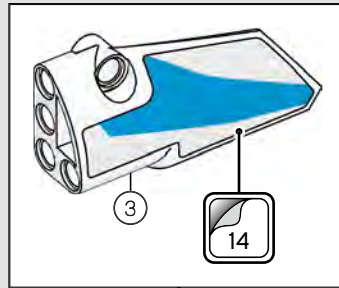




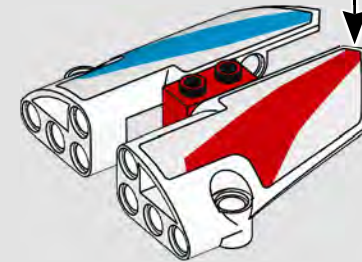
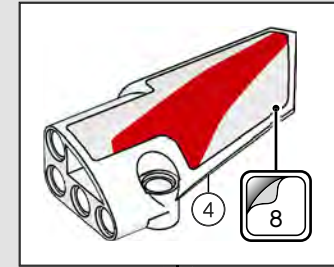
446

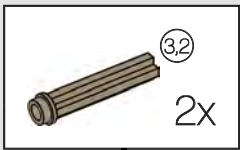
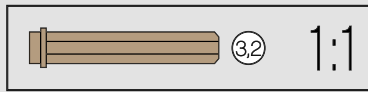


447

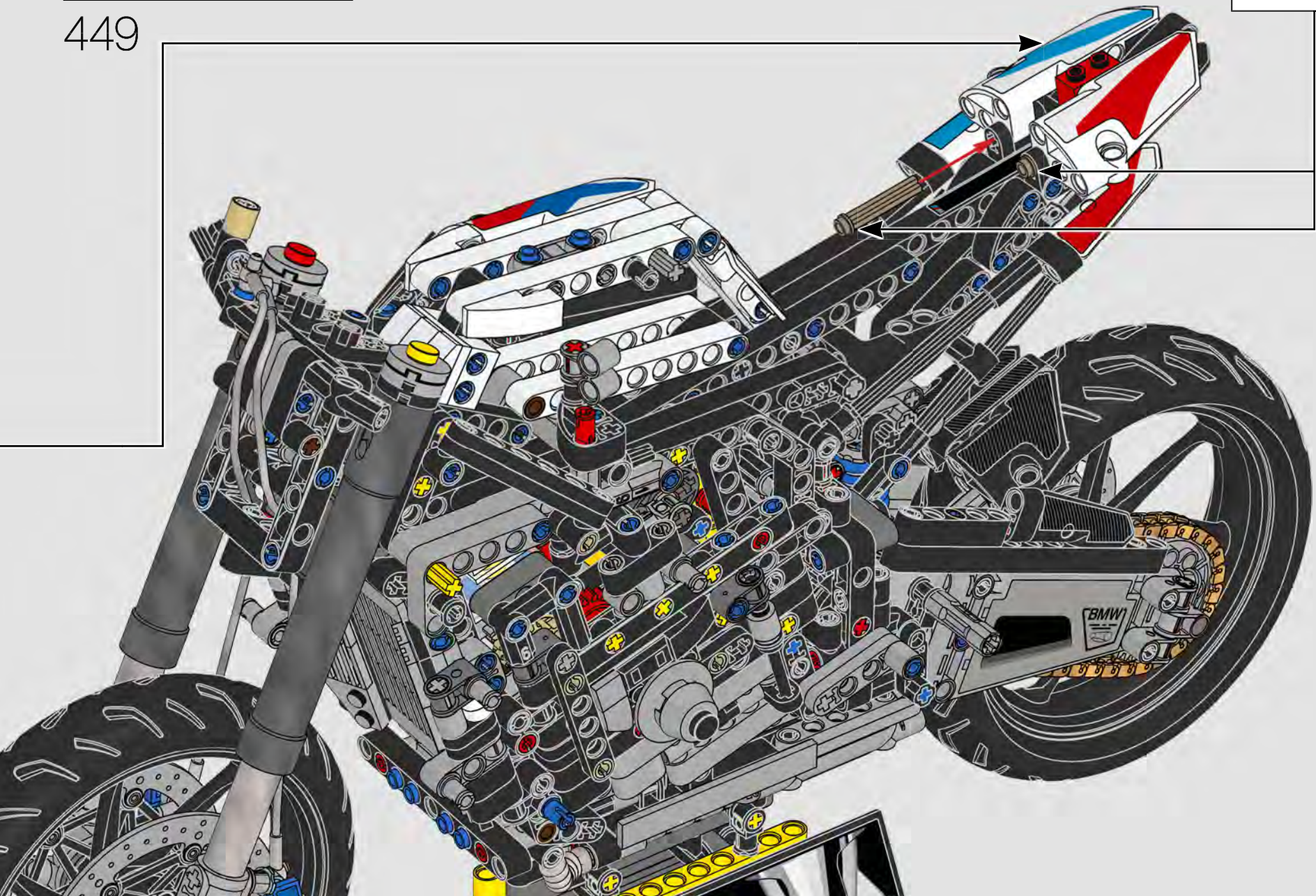


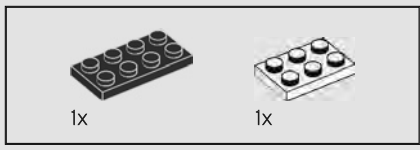
448



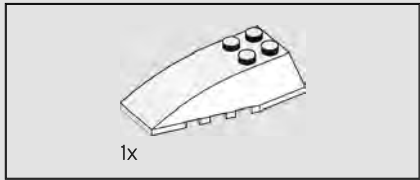
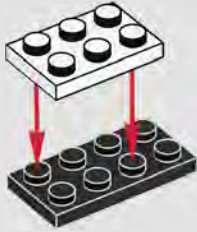


449





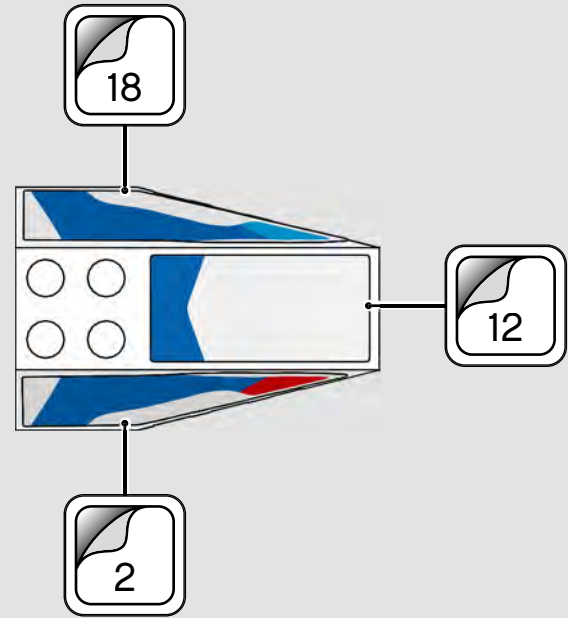
450



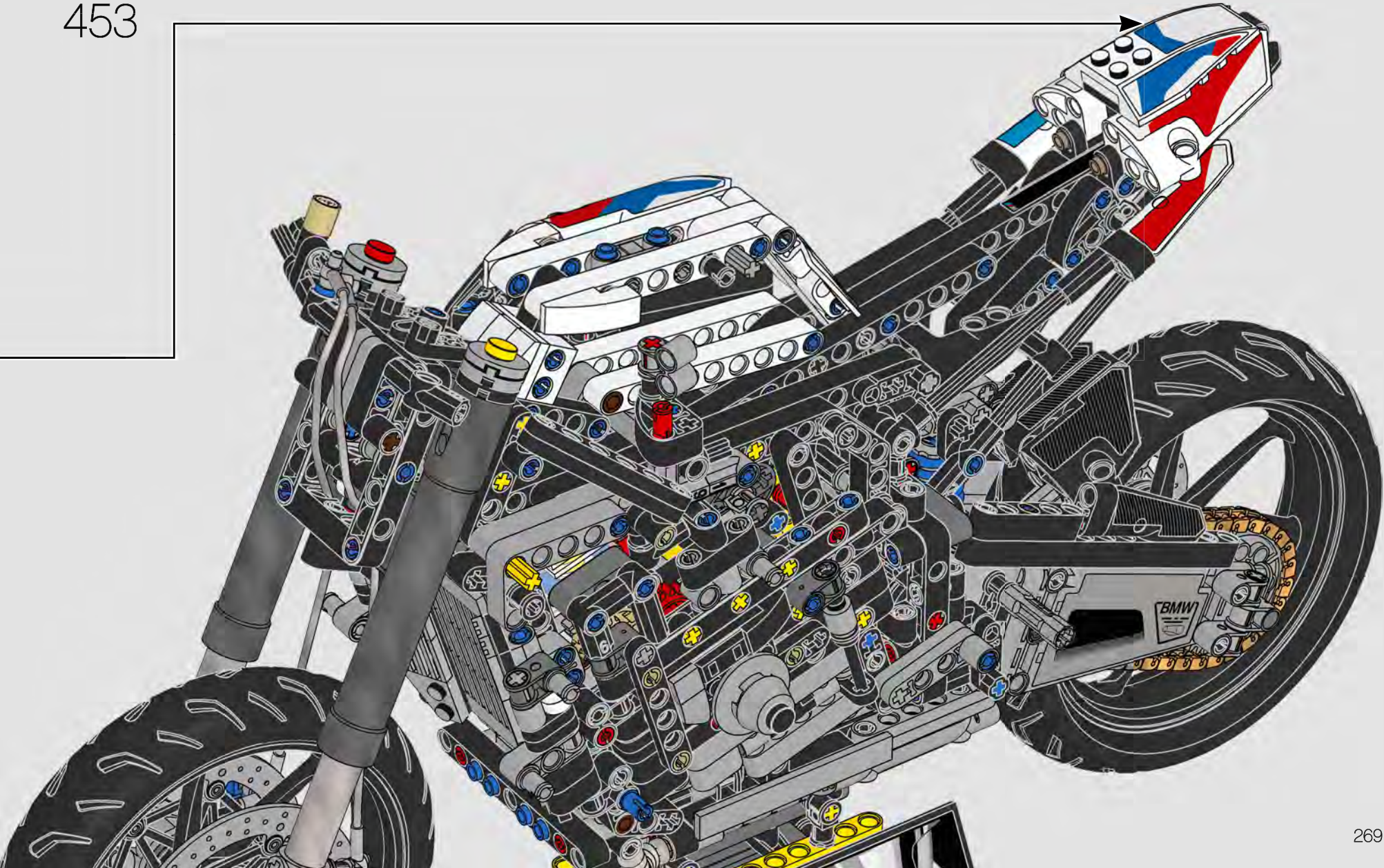
451

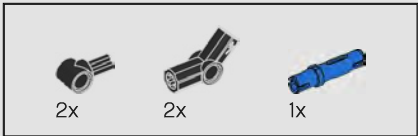


452

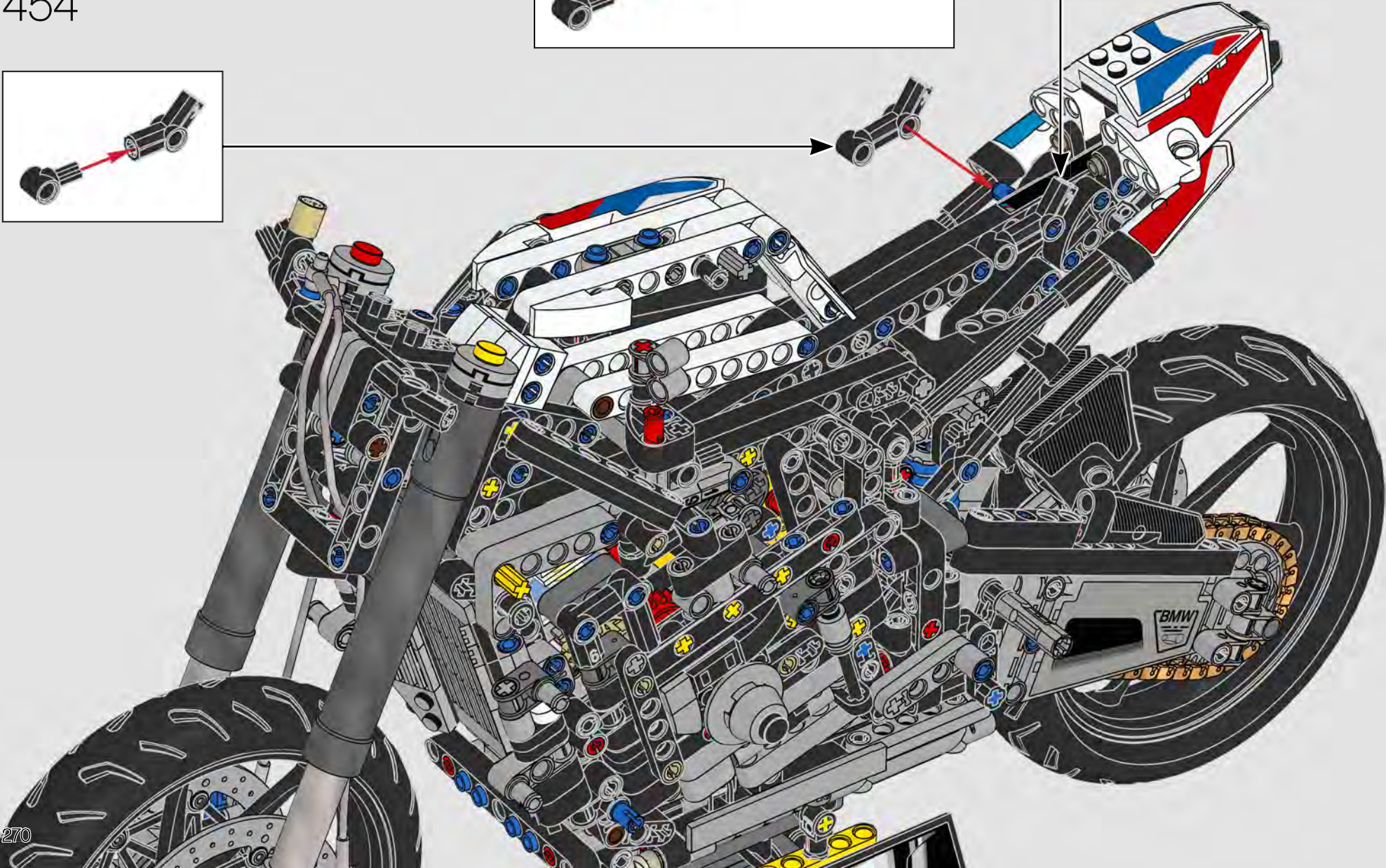
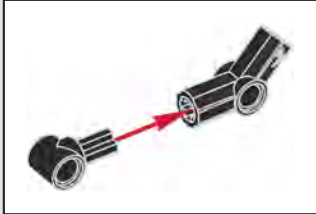
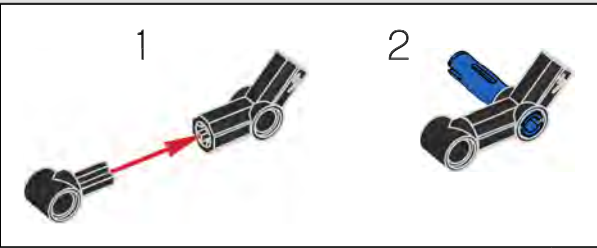


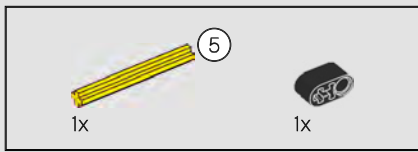
453





454

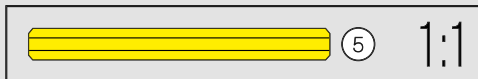




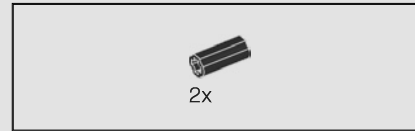
455



456

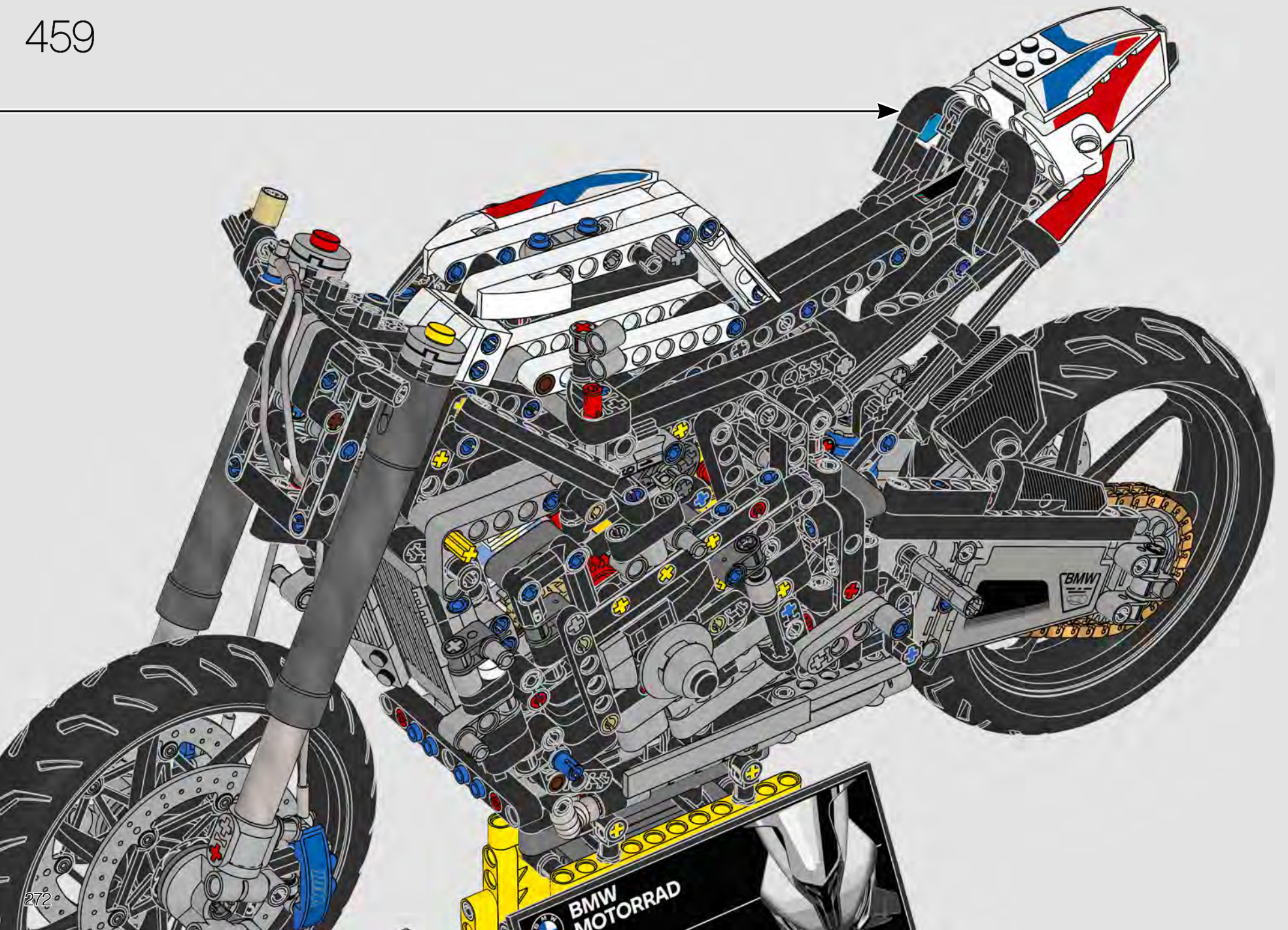


457

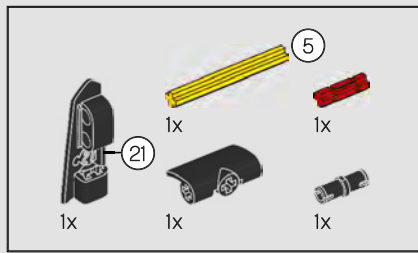


458

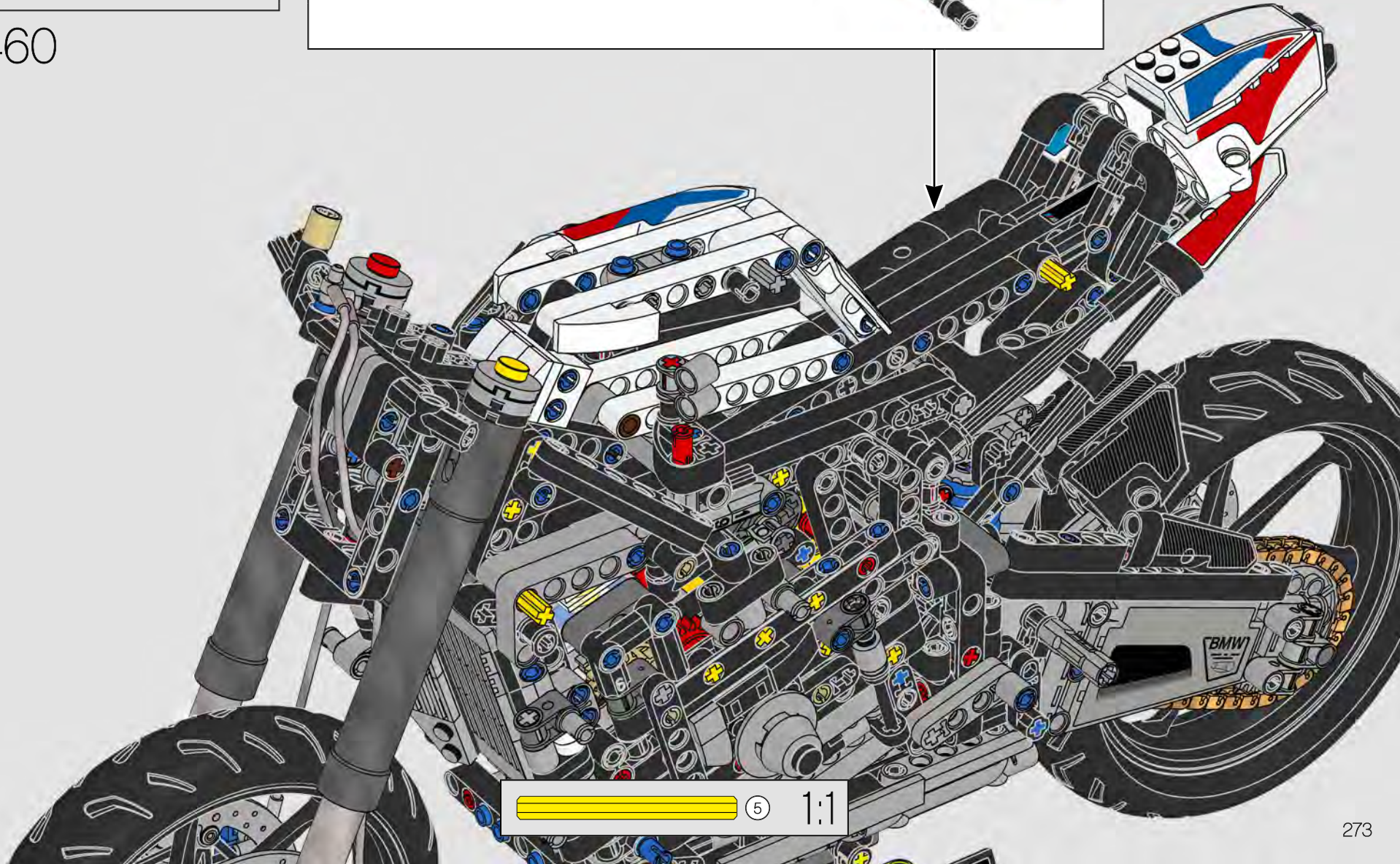
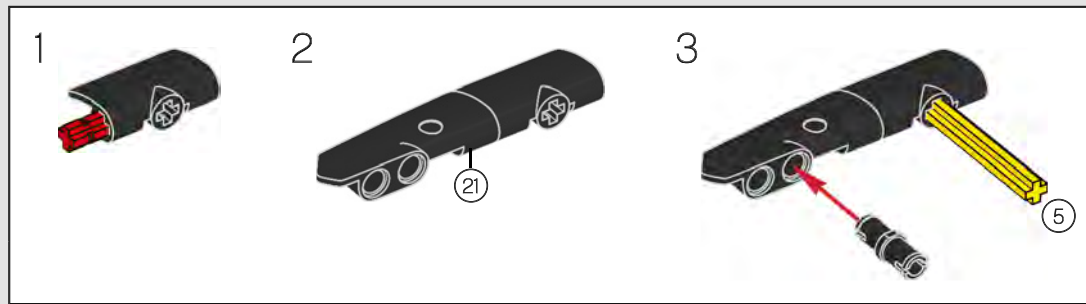


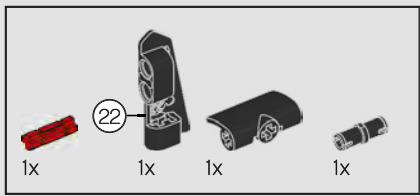


BMW
MOTORRAD

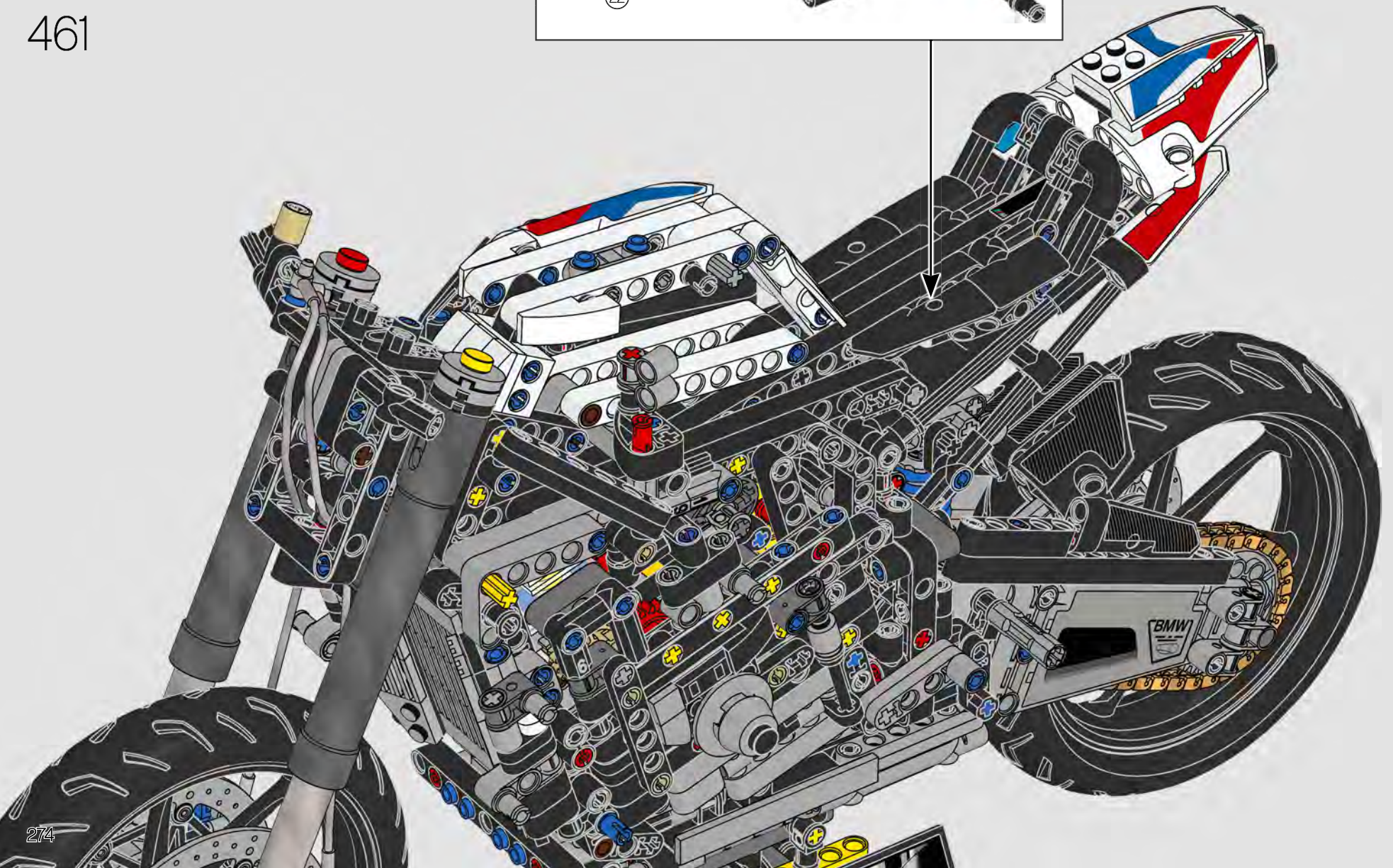
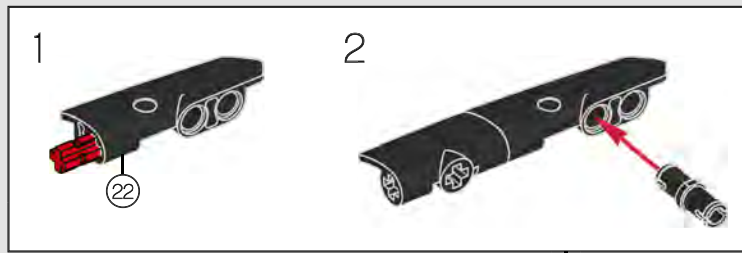


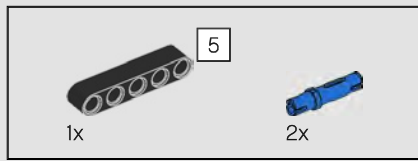
460



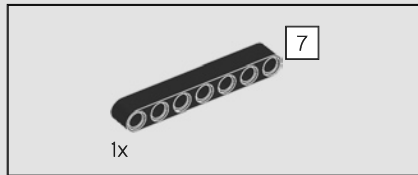


461

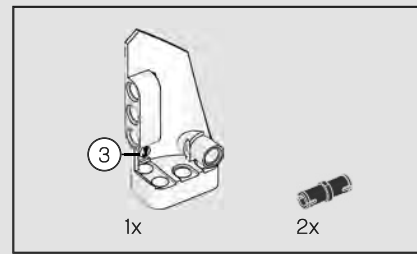
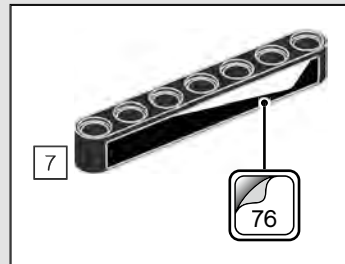




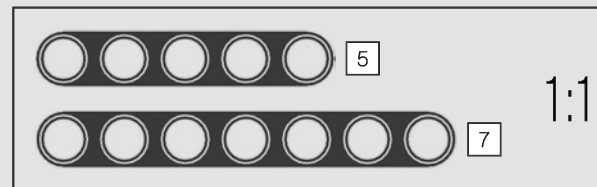
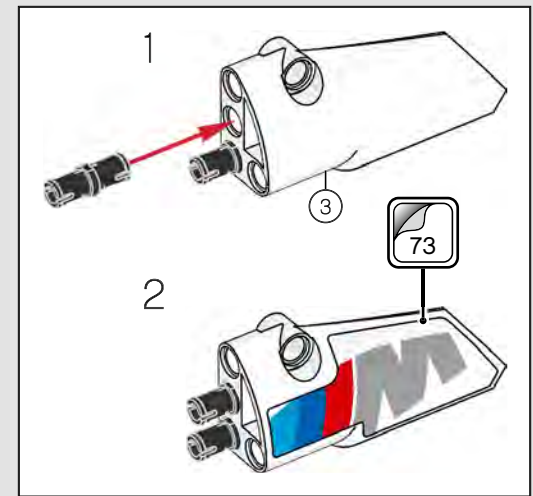
462

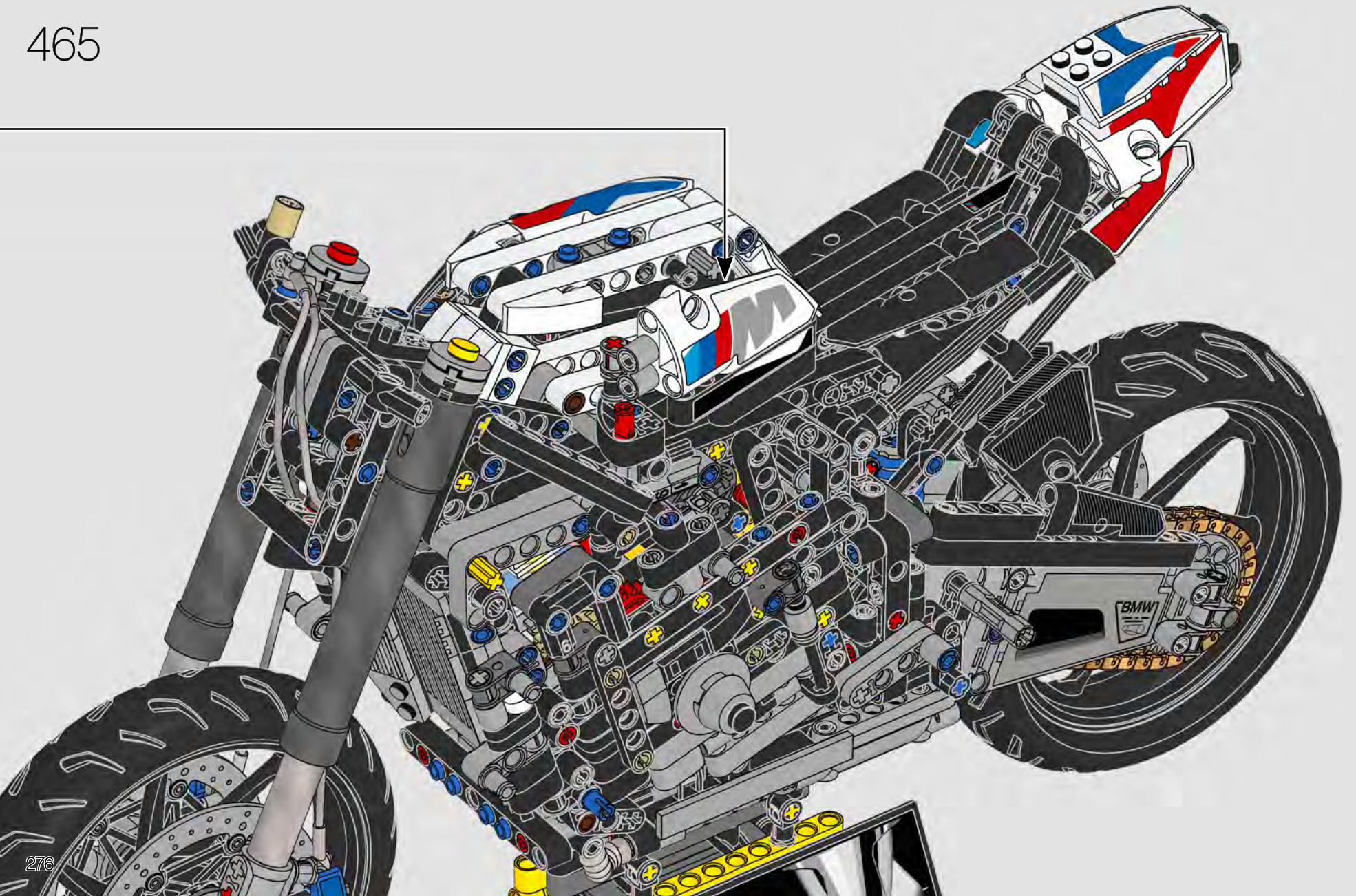


463



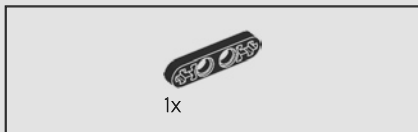
464



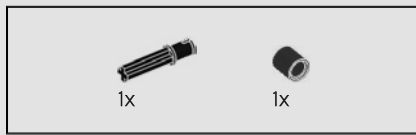
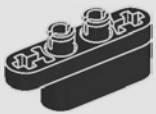




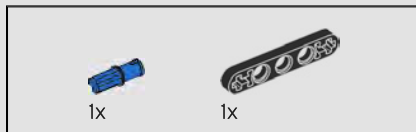
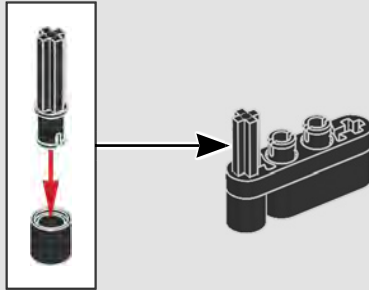
466



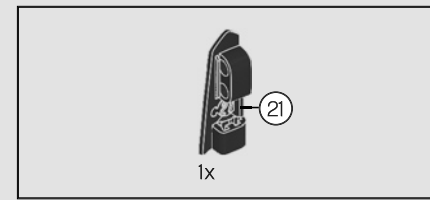
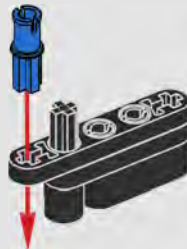
467



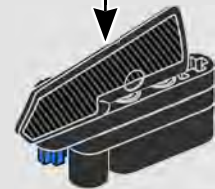
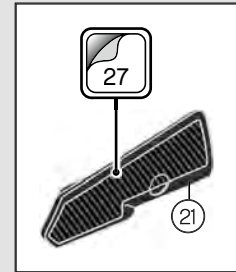
468

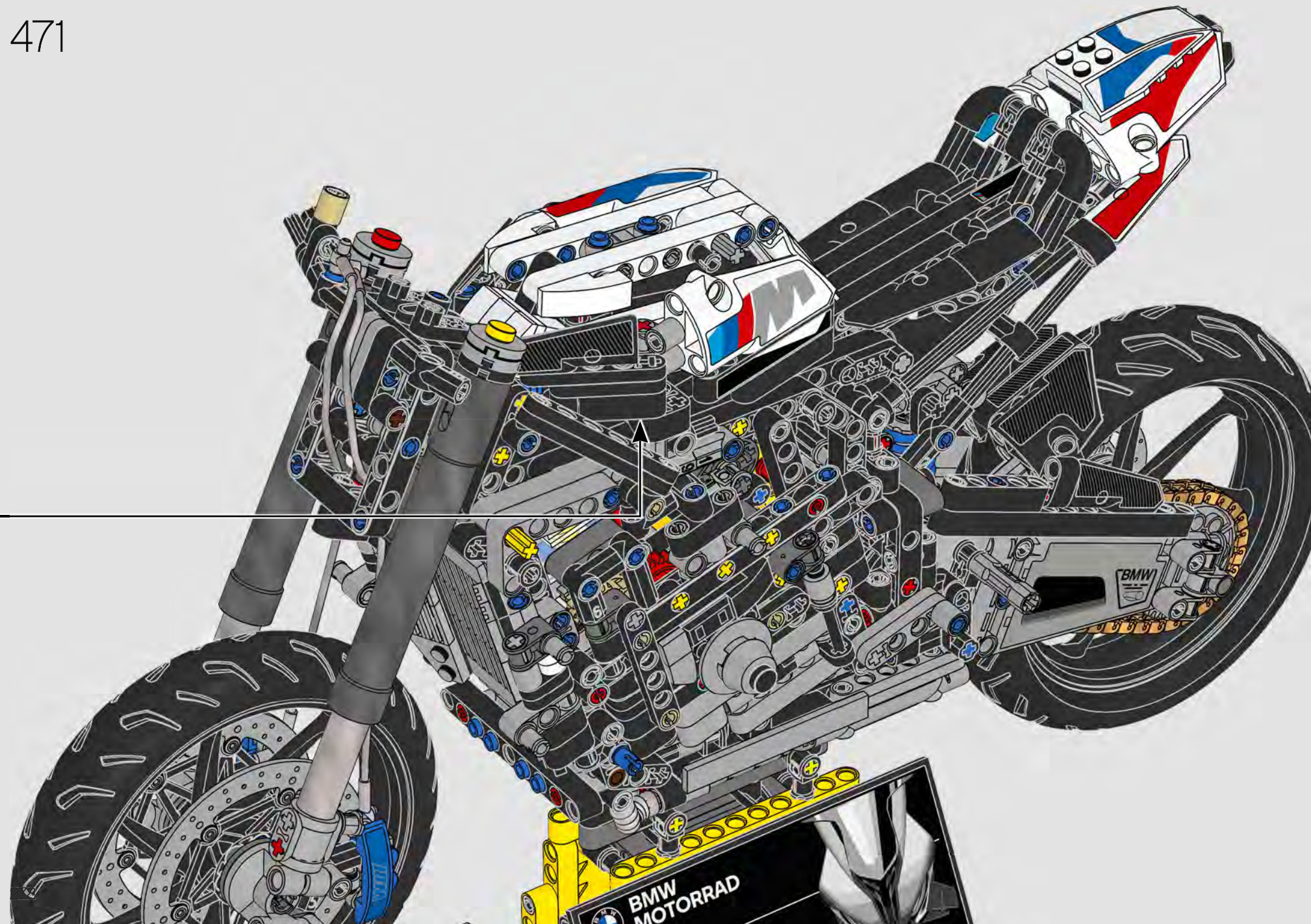


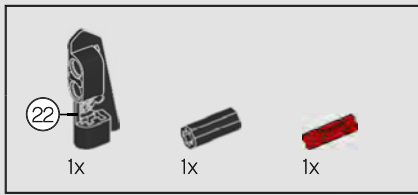
469



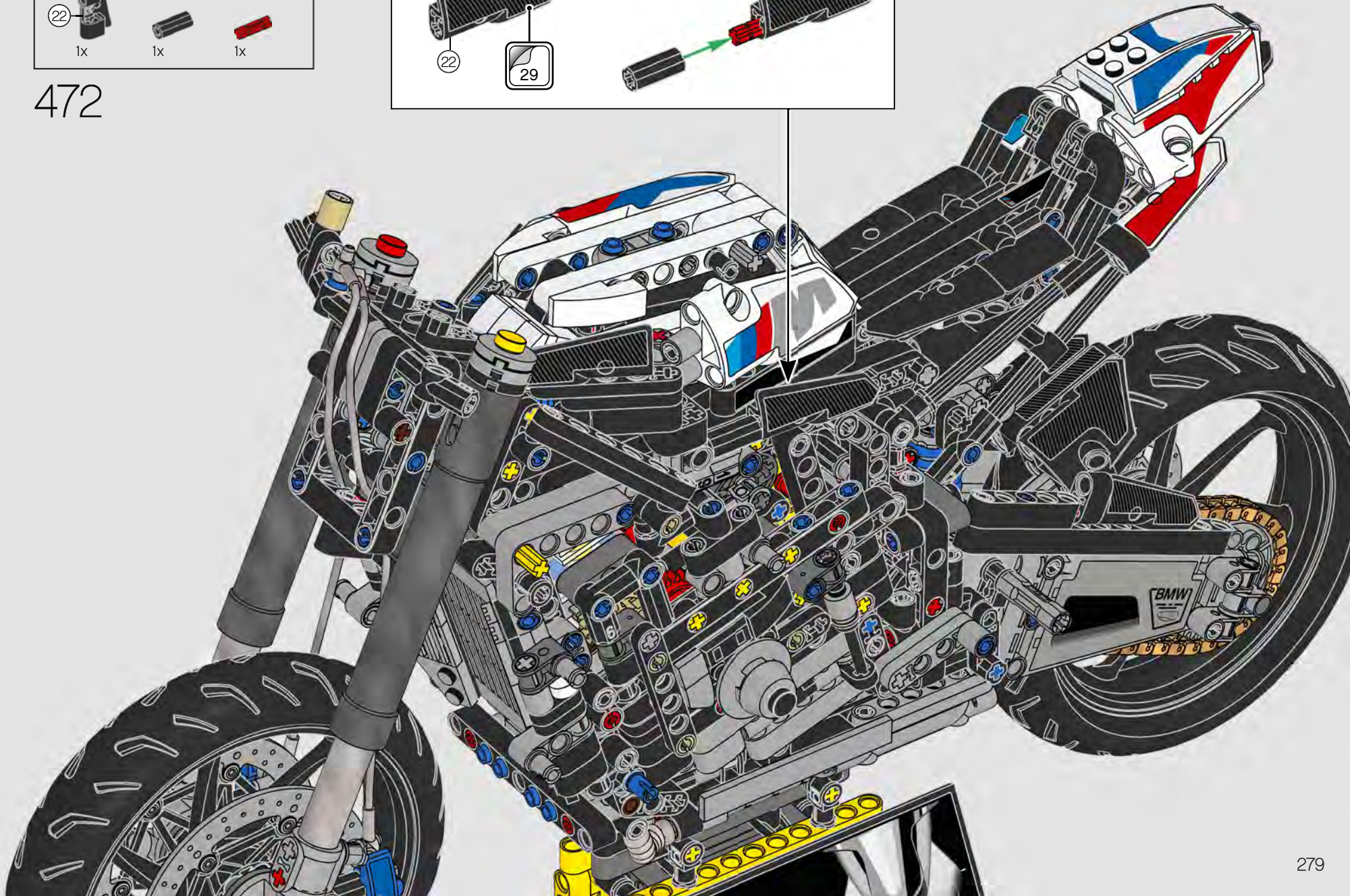
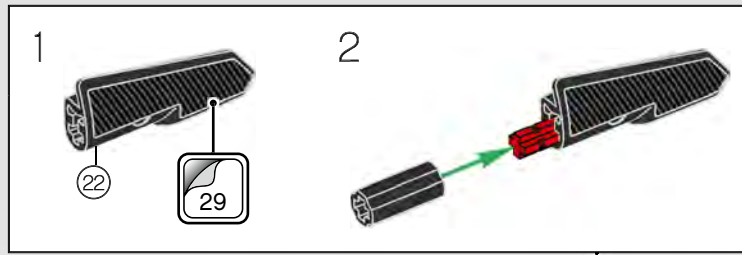
470

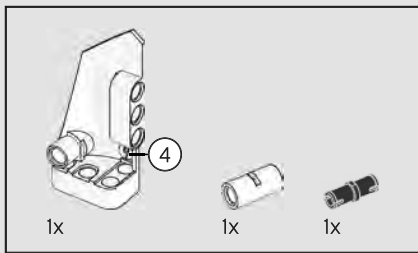




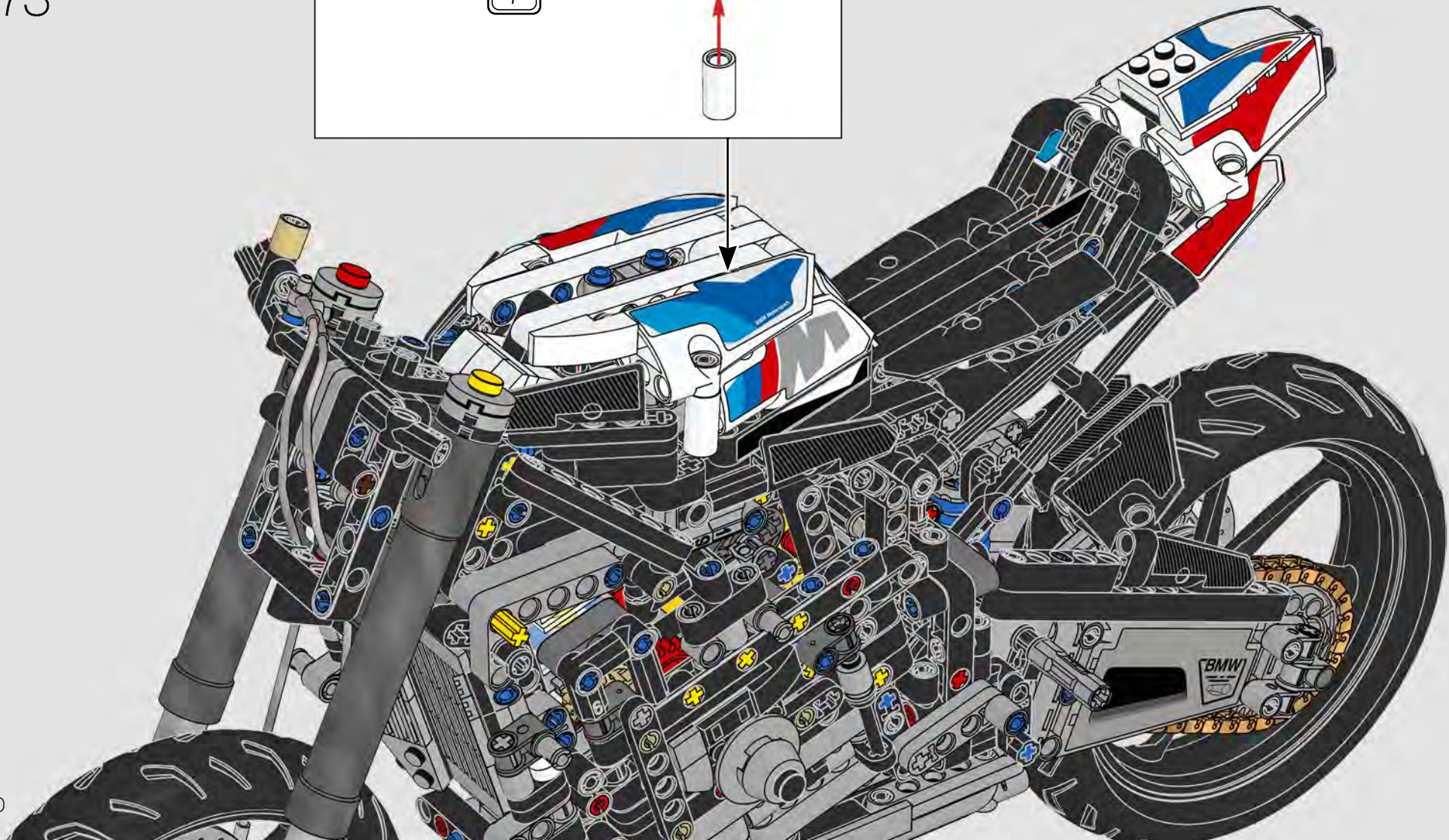
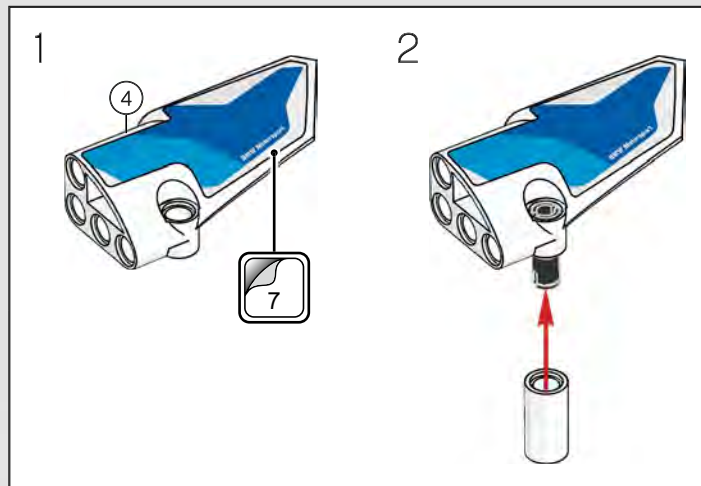


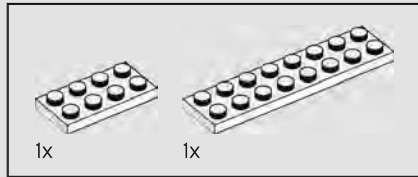
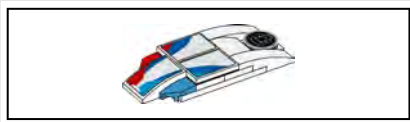
472



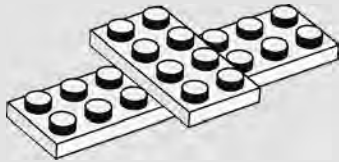


473

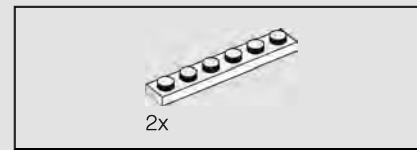
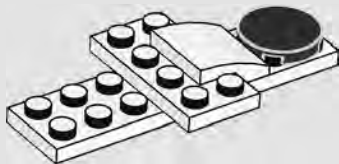




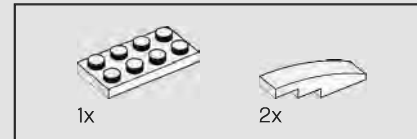
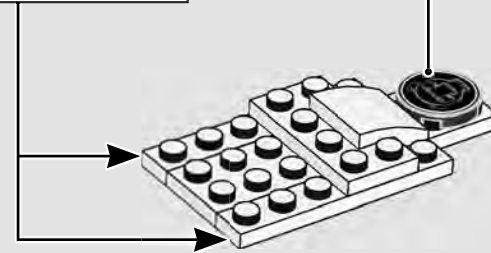
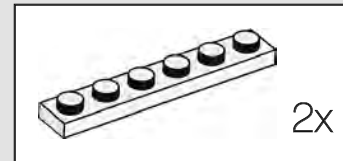
474



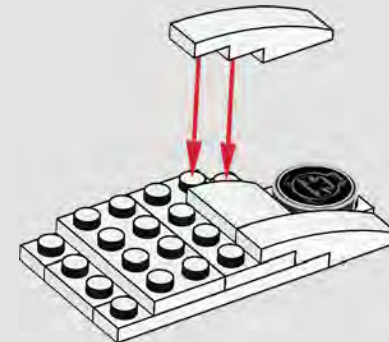
475



476

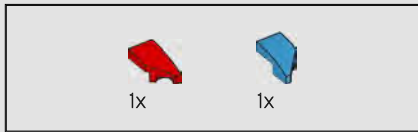
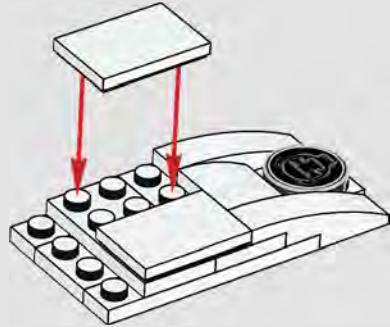


477

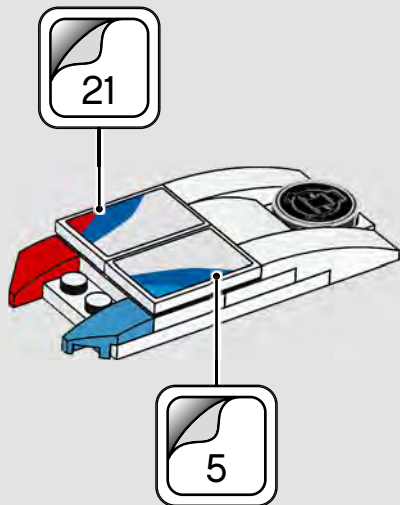




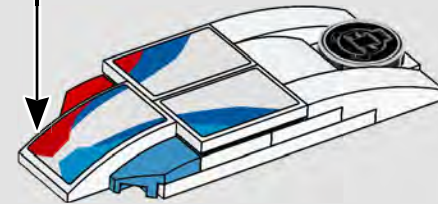
478



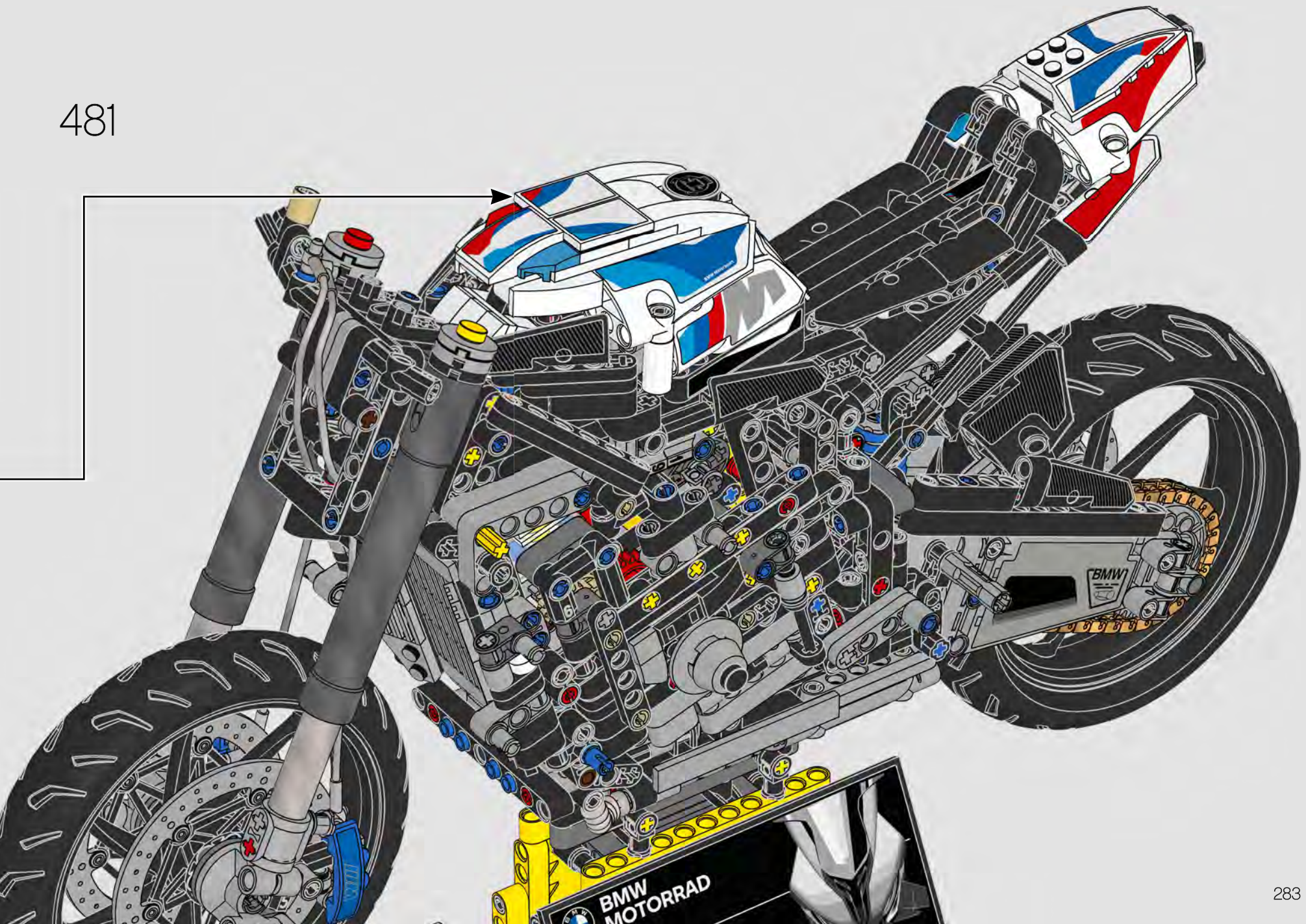
479

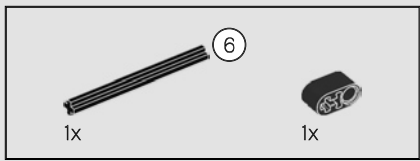


480

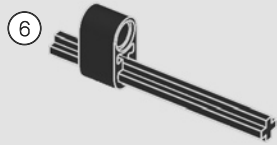


481

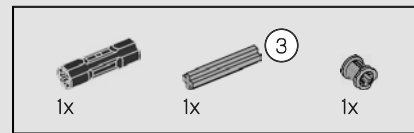




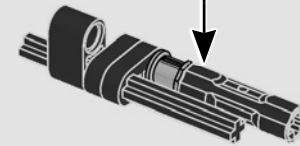
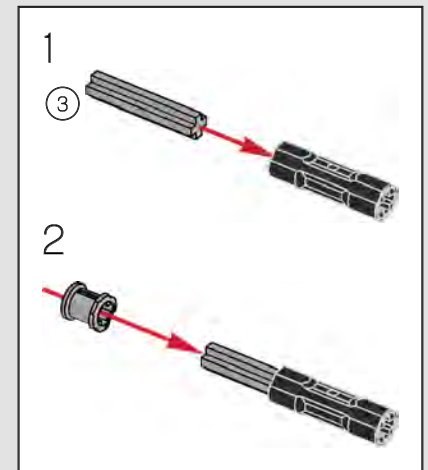
482



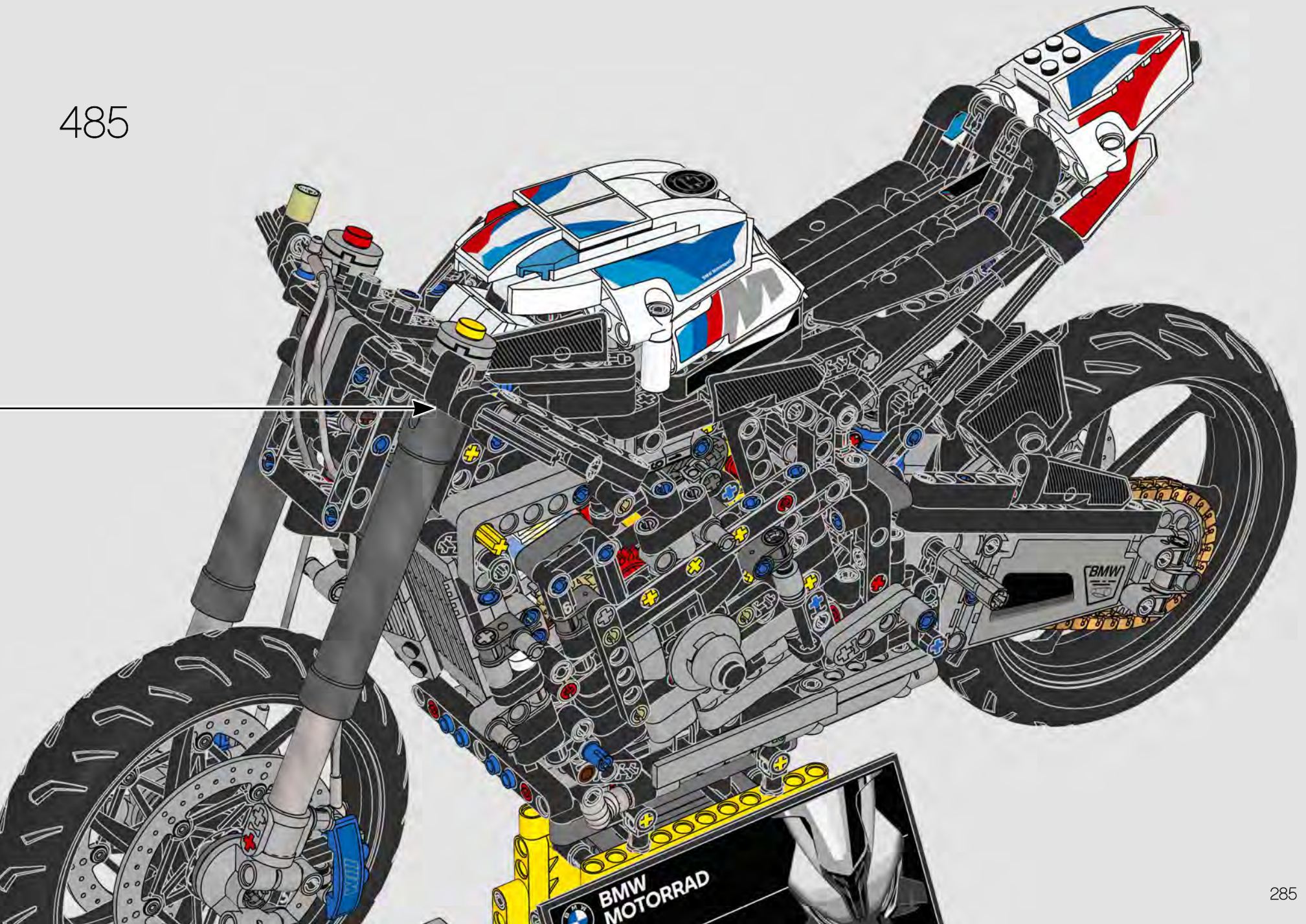
483

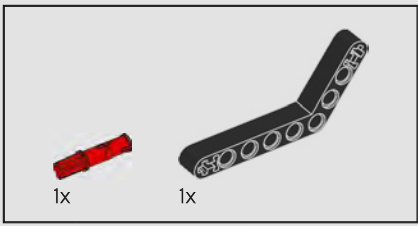


484

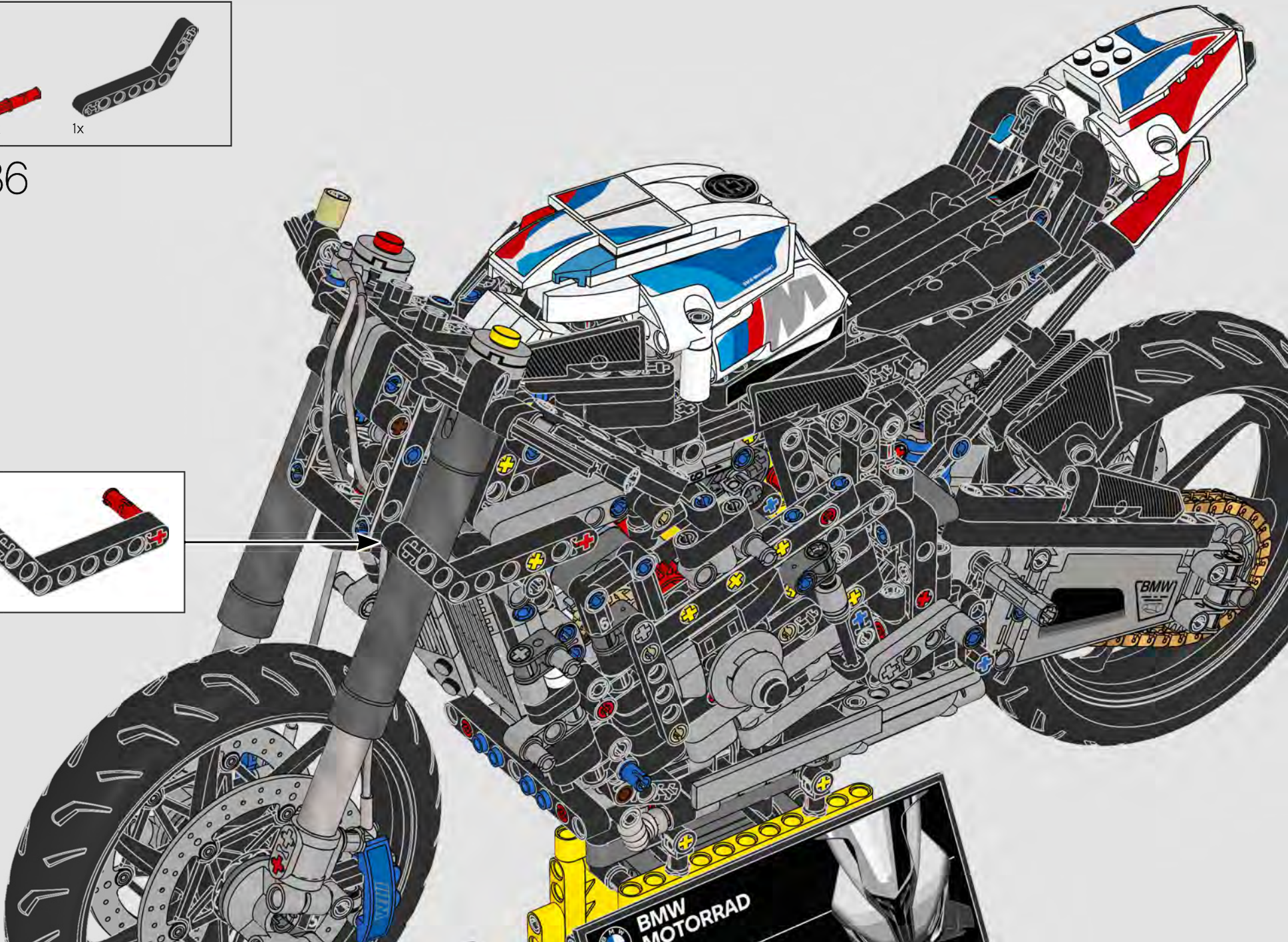


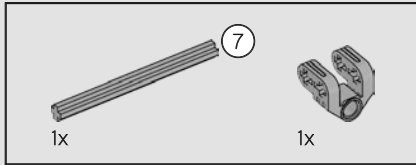
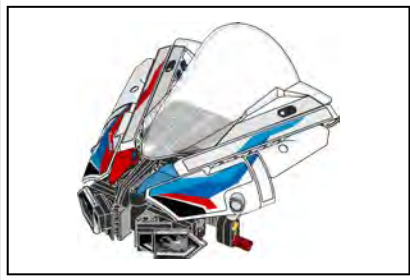
485



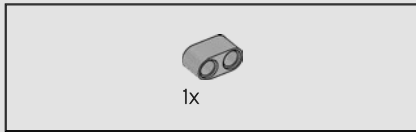
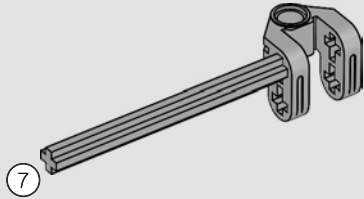


486

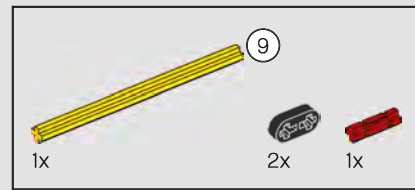
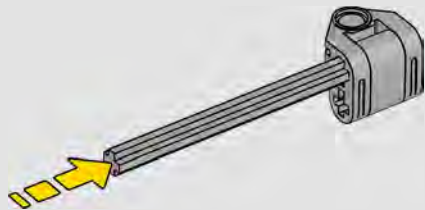




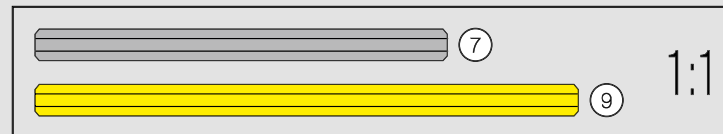
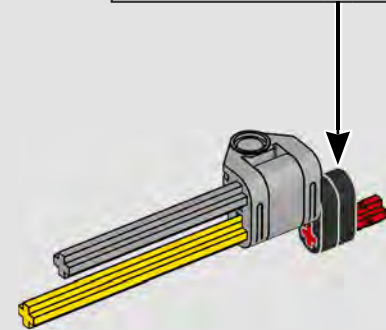
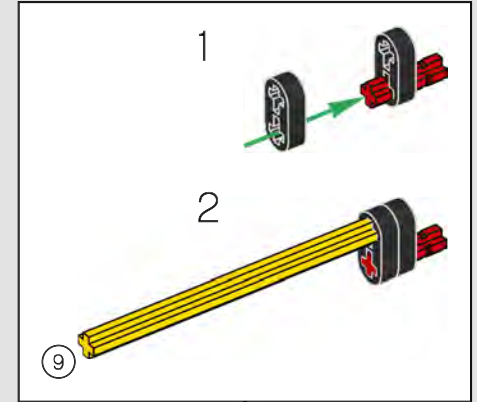
487

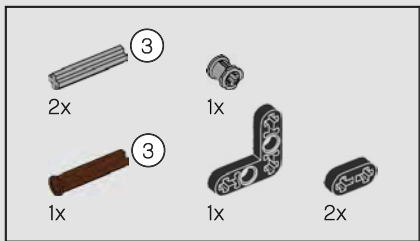


488

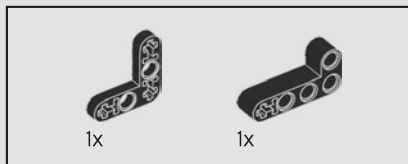
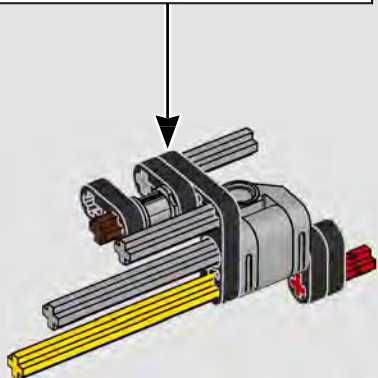
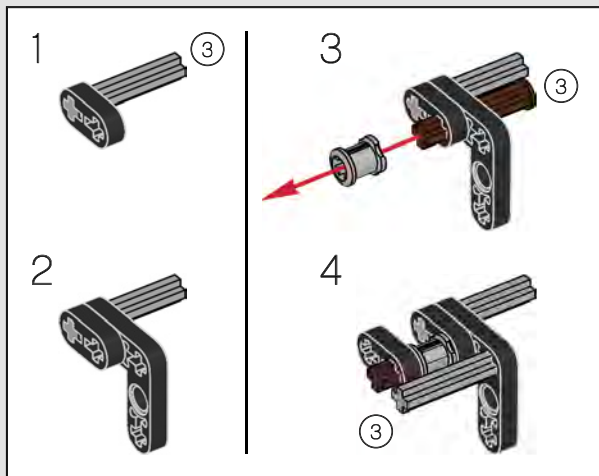


489

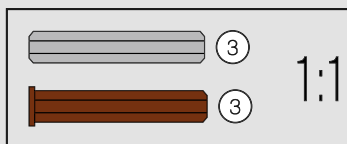
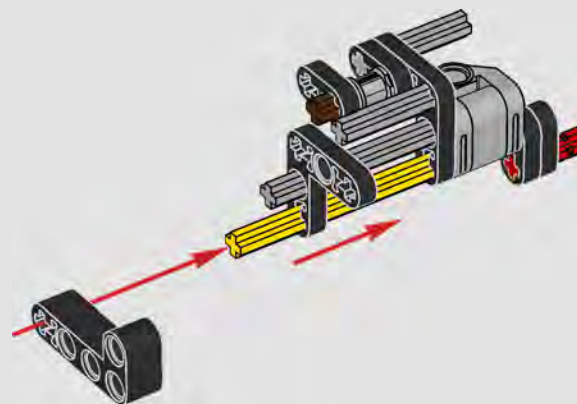


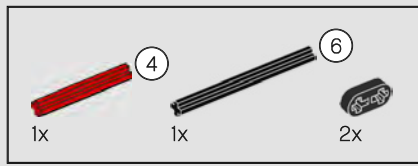


490

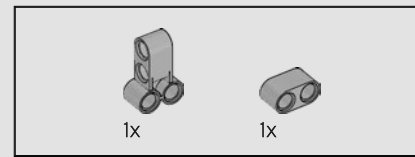
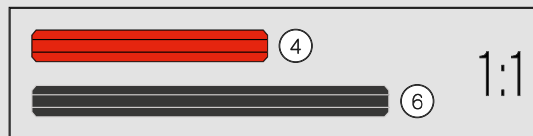
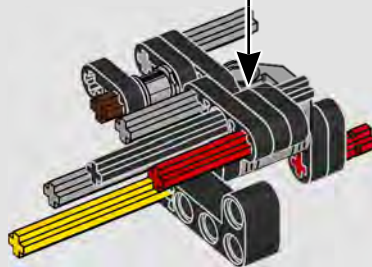
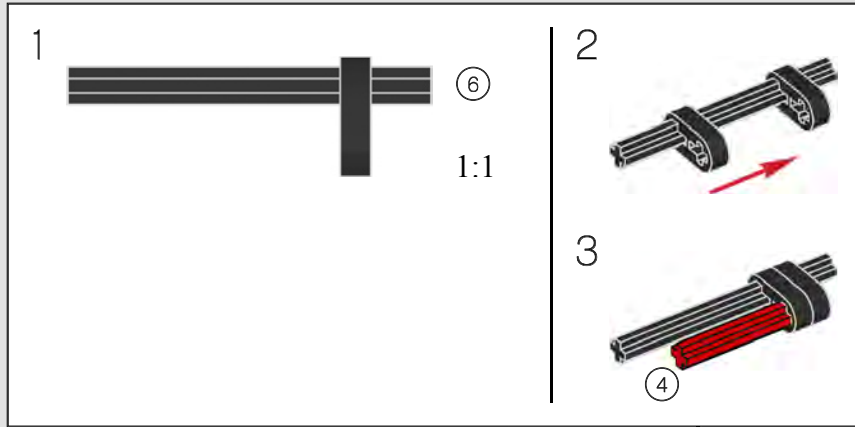


491

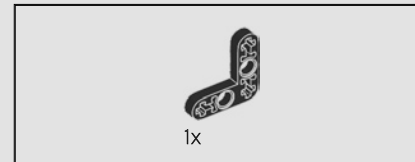
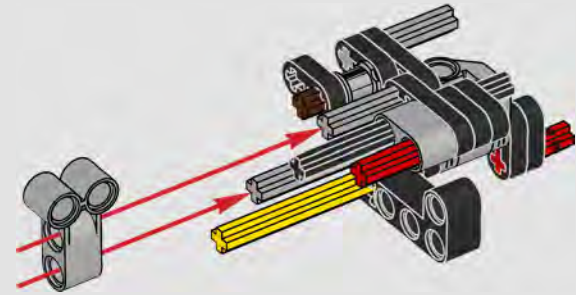




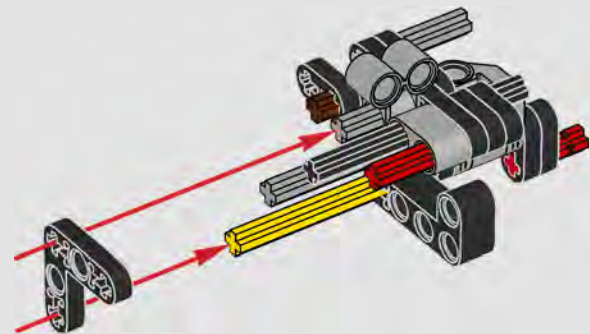
492

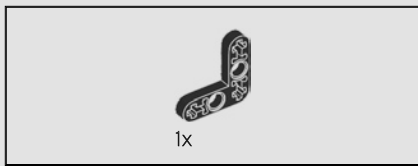


493

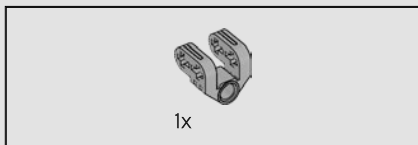
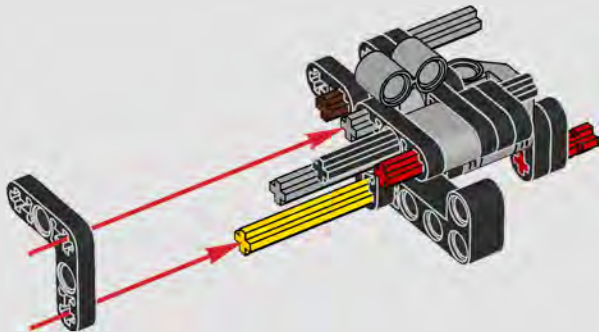


494

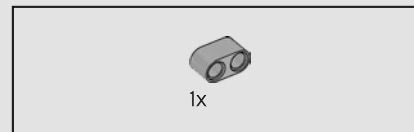
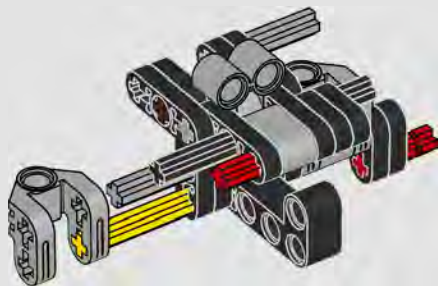




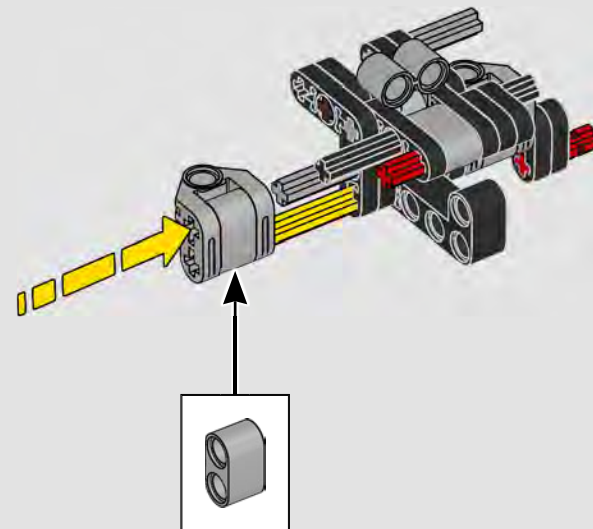
495

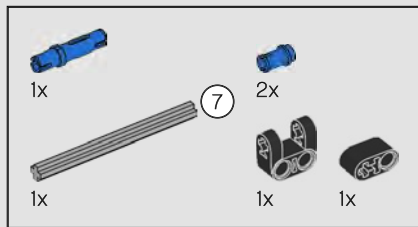


496

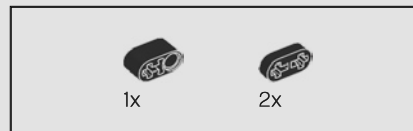
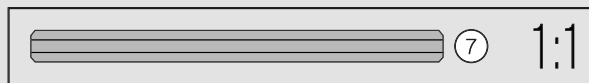
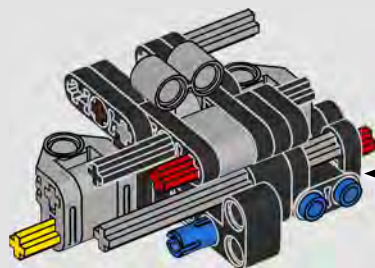
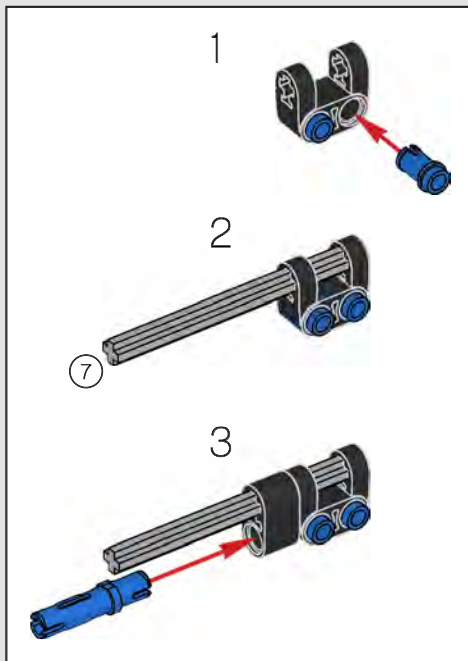


497

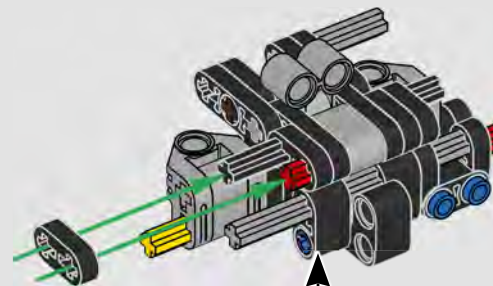




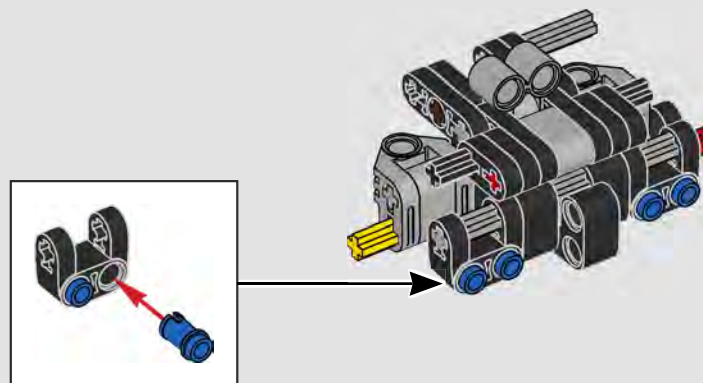
498

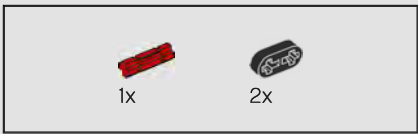


499

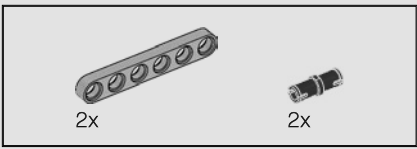
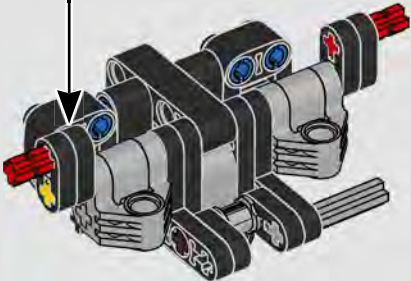
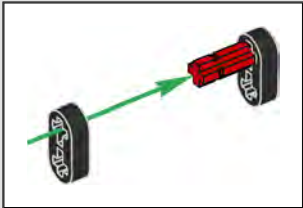


500

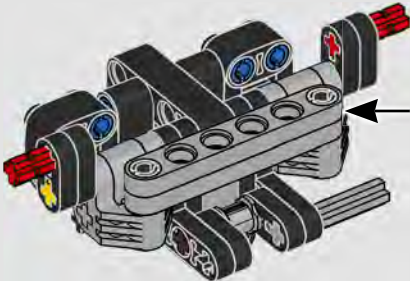
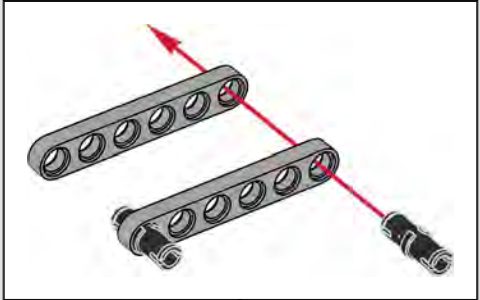


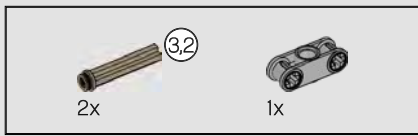


501

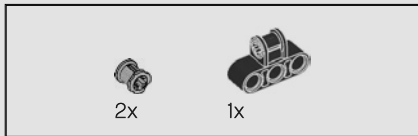
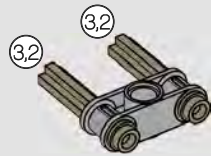
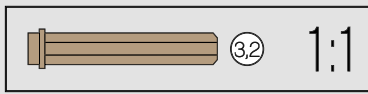


502

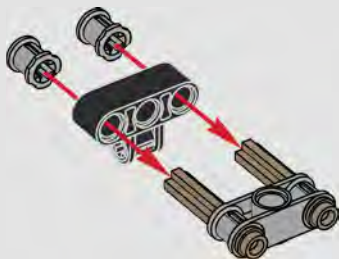




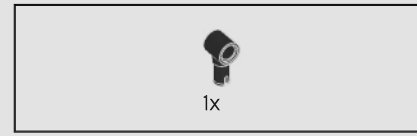
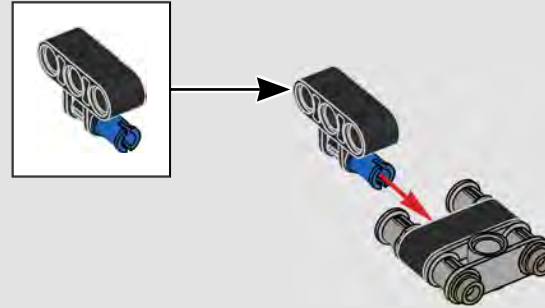
503



504



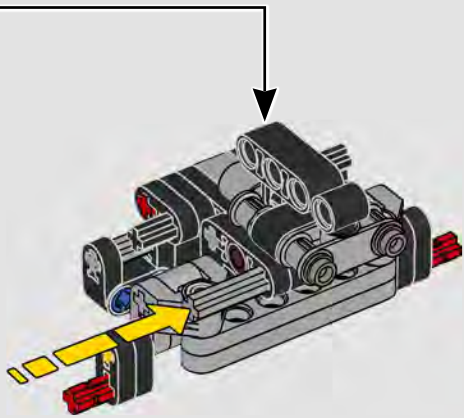
505



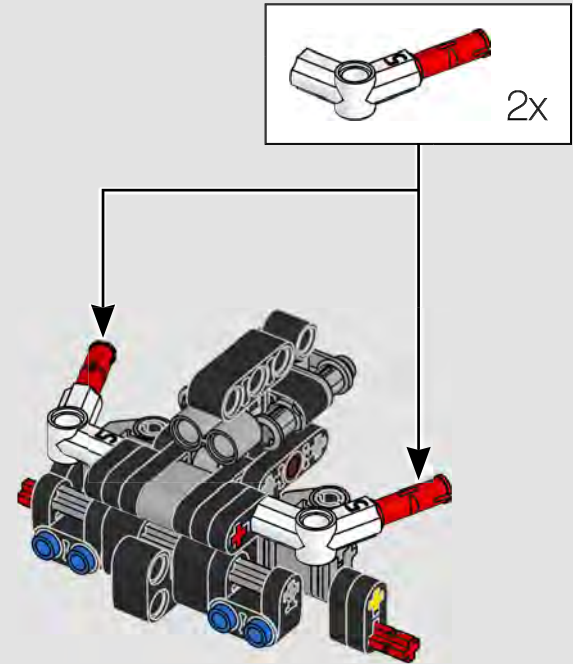
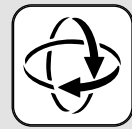
506

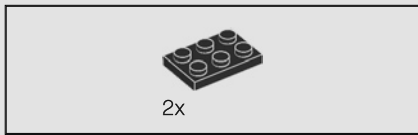


507

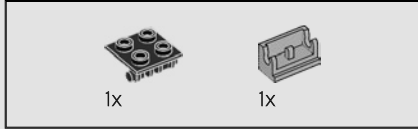


508

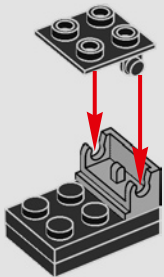




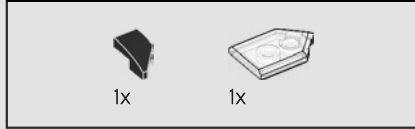
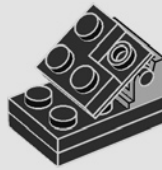
509



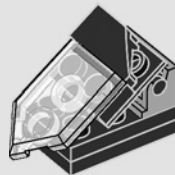
510



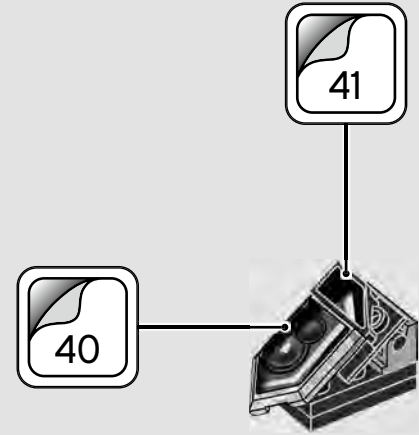
511



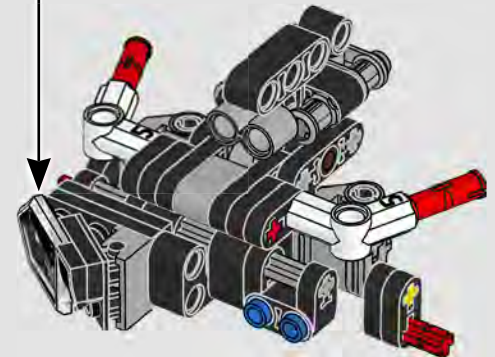
512

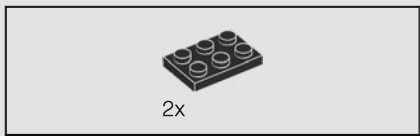


513

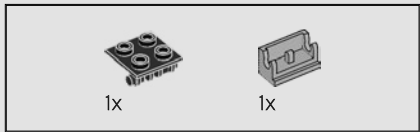


514

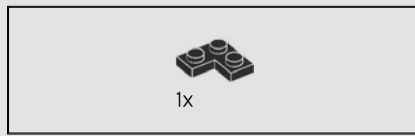
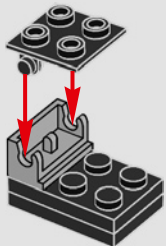




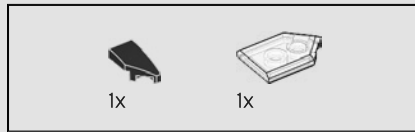
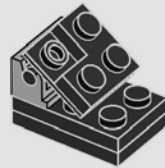
515



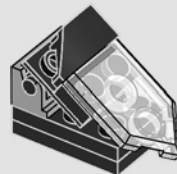
516



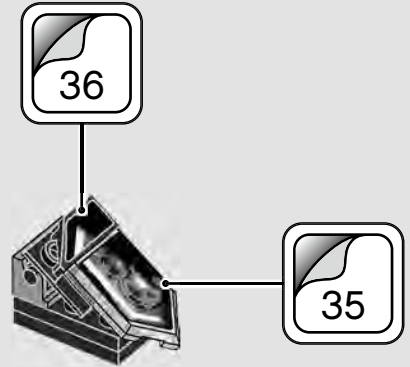
517



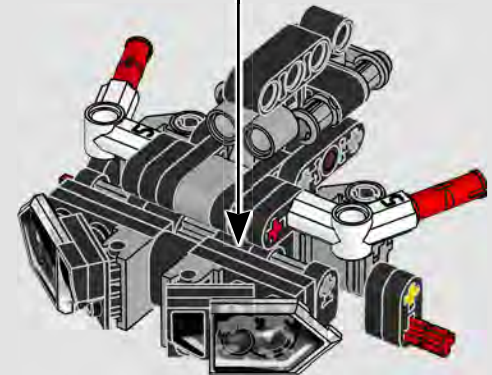
518

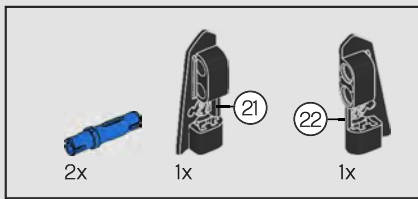


519

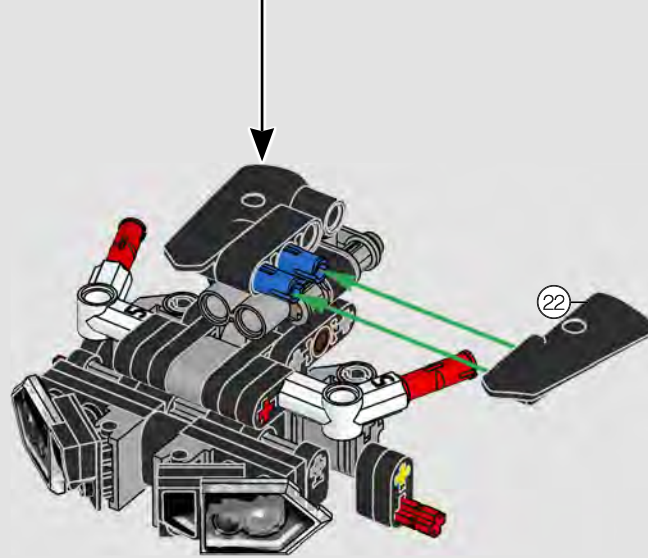
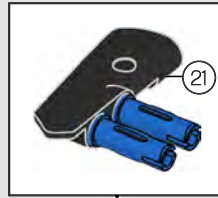


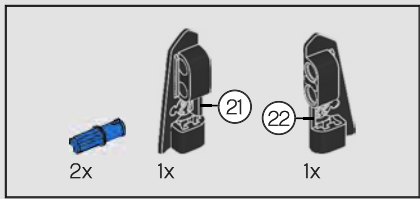
520



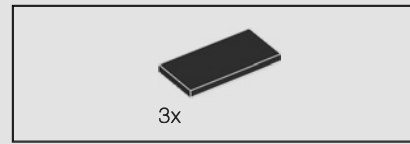
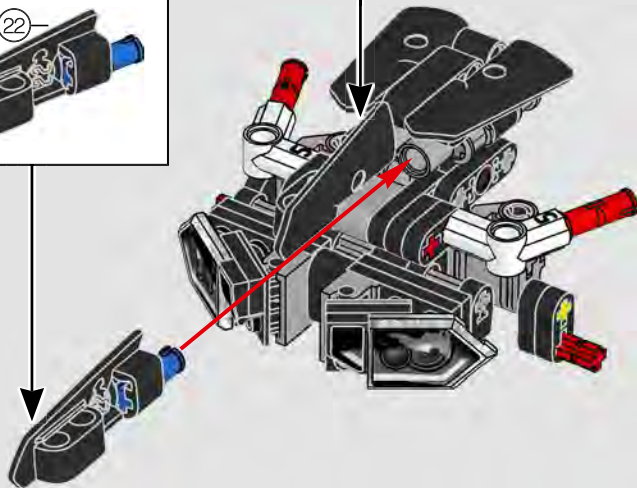
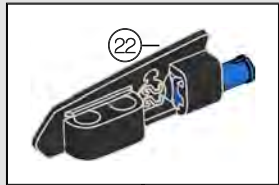
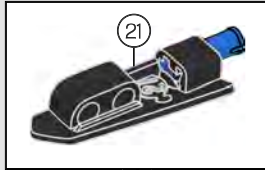


521

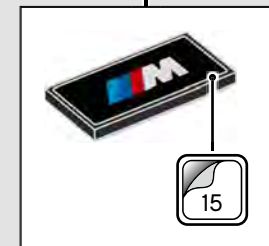
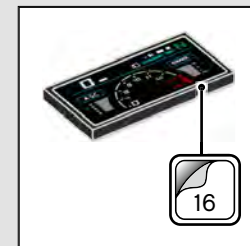
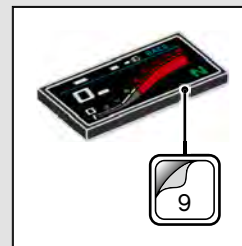
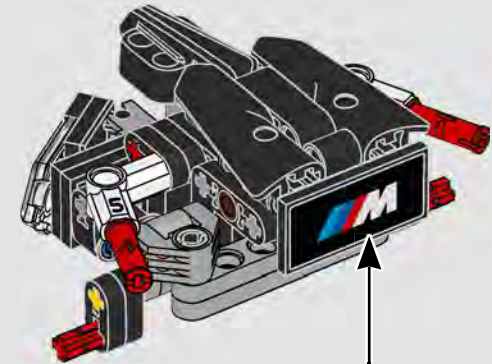
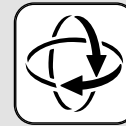


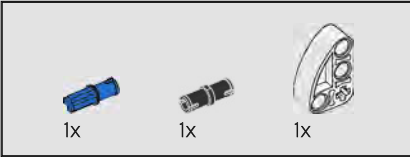
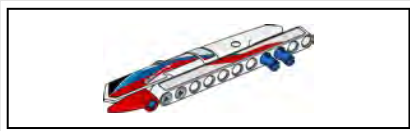


522

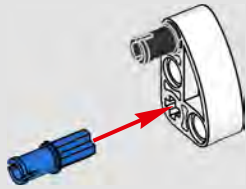


523

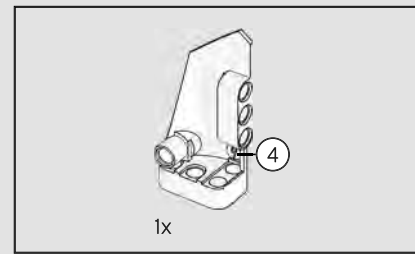
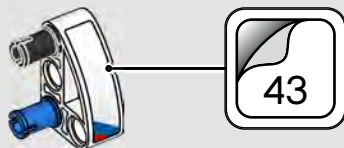




524



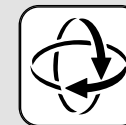
525

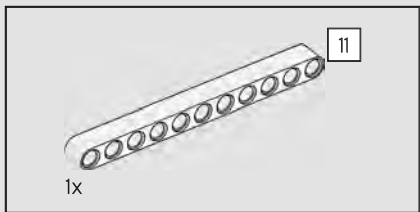


526

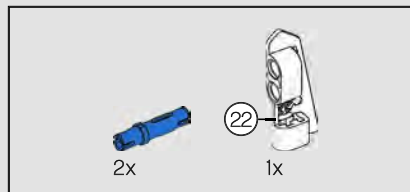
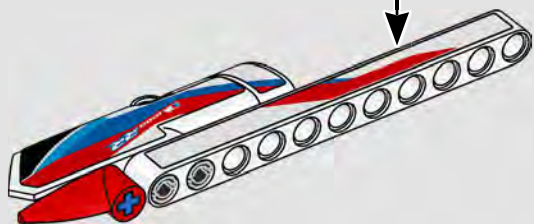
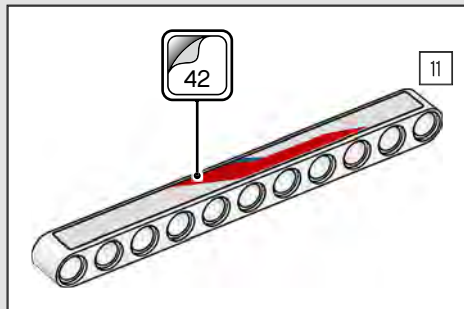


527

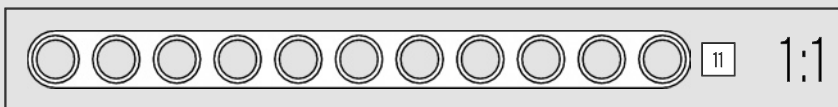
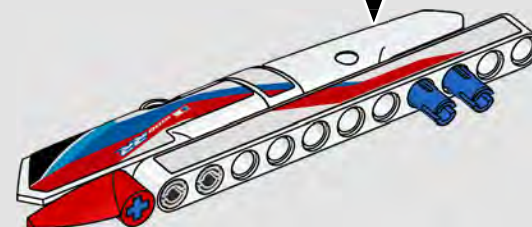
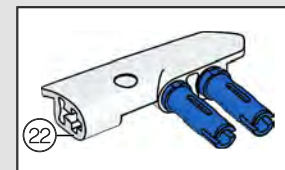




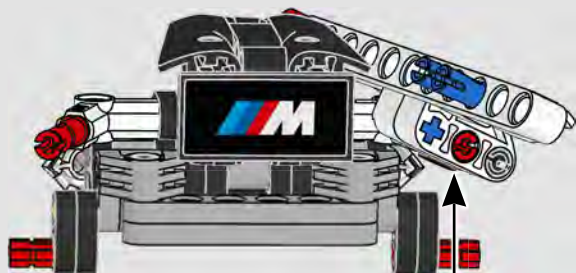
528



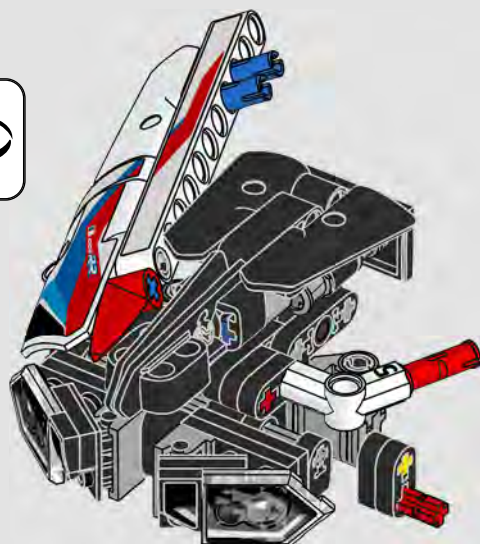
529



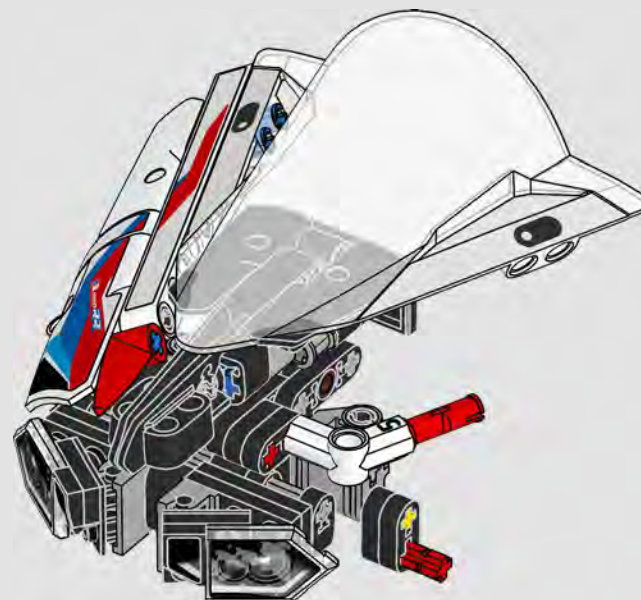
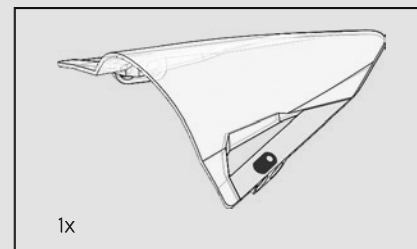
530

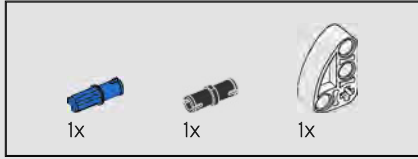


531



532

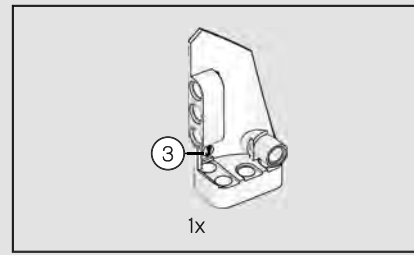




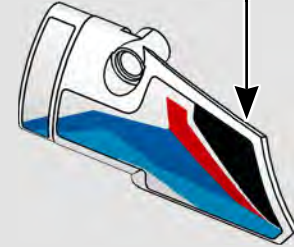
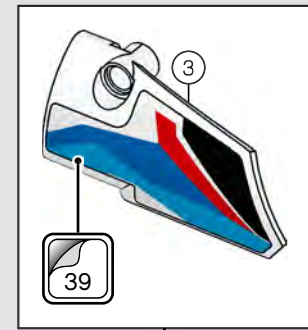
533



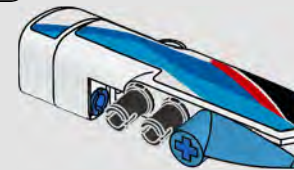
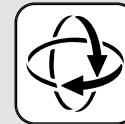
534

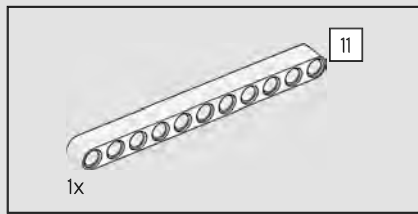


535

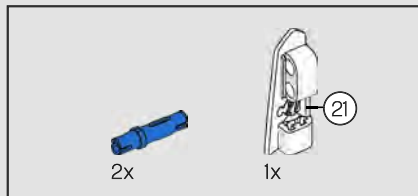
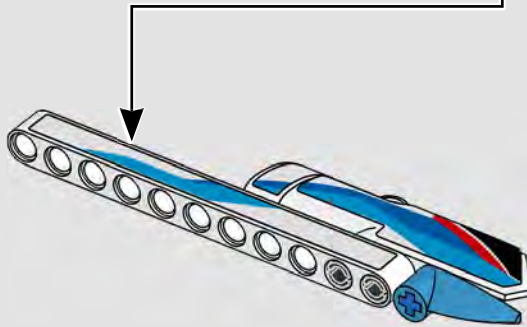
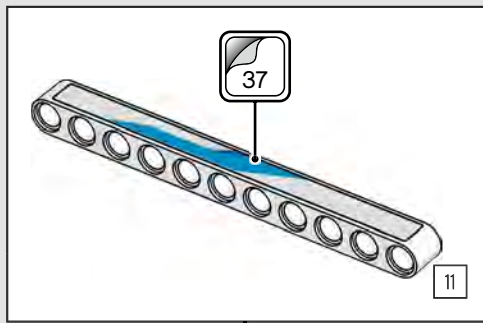


536

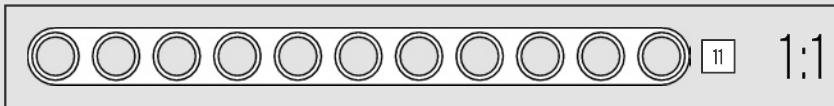
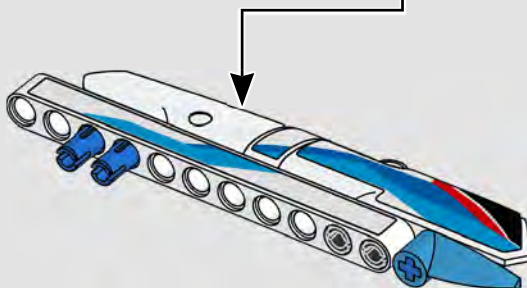
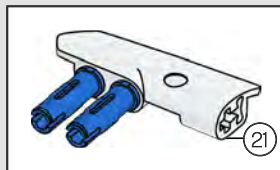




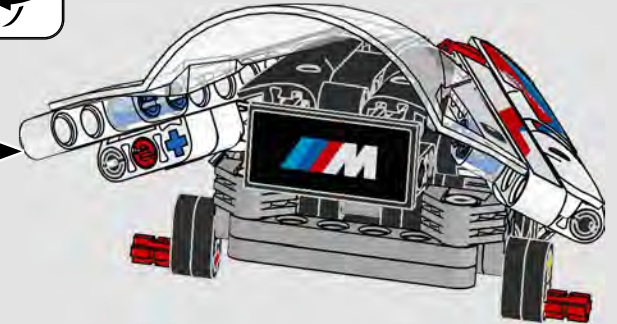
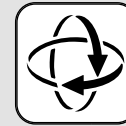
537



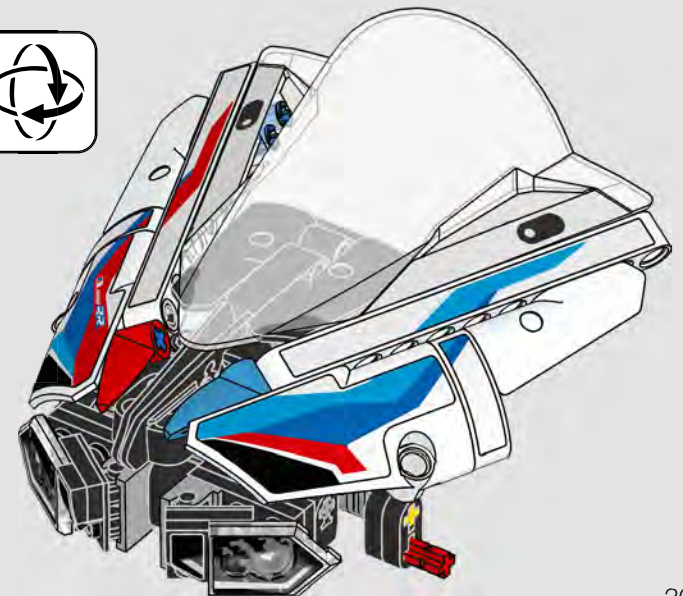
538

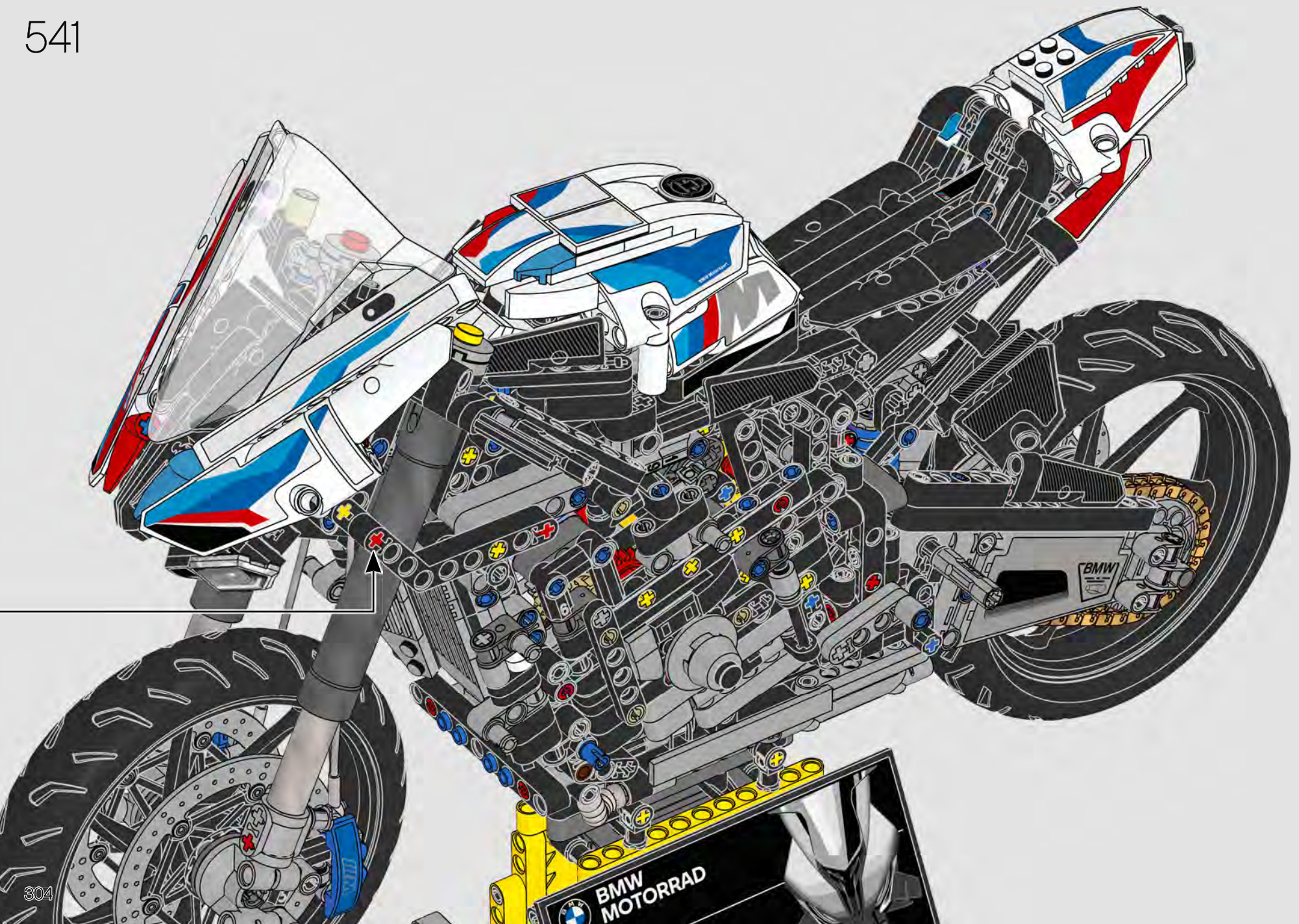


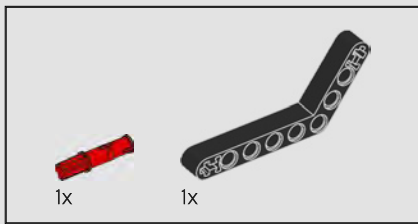
539



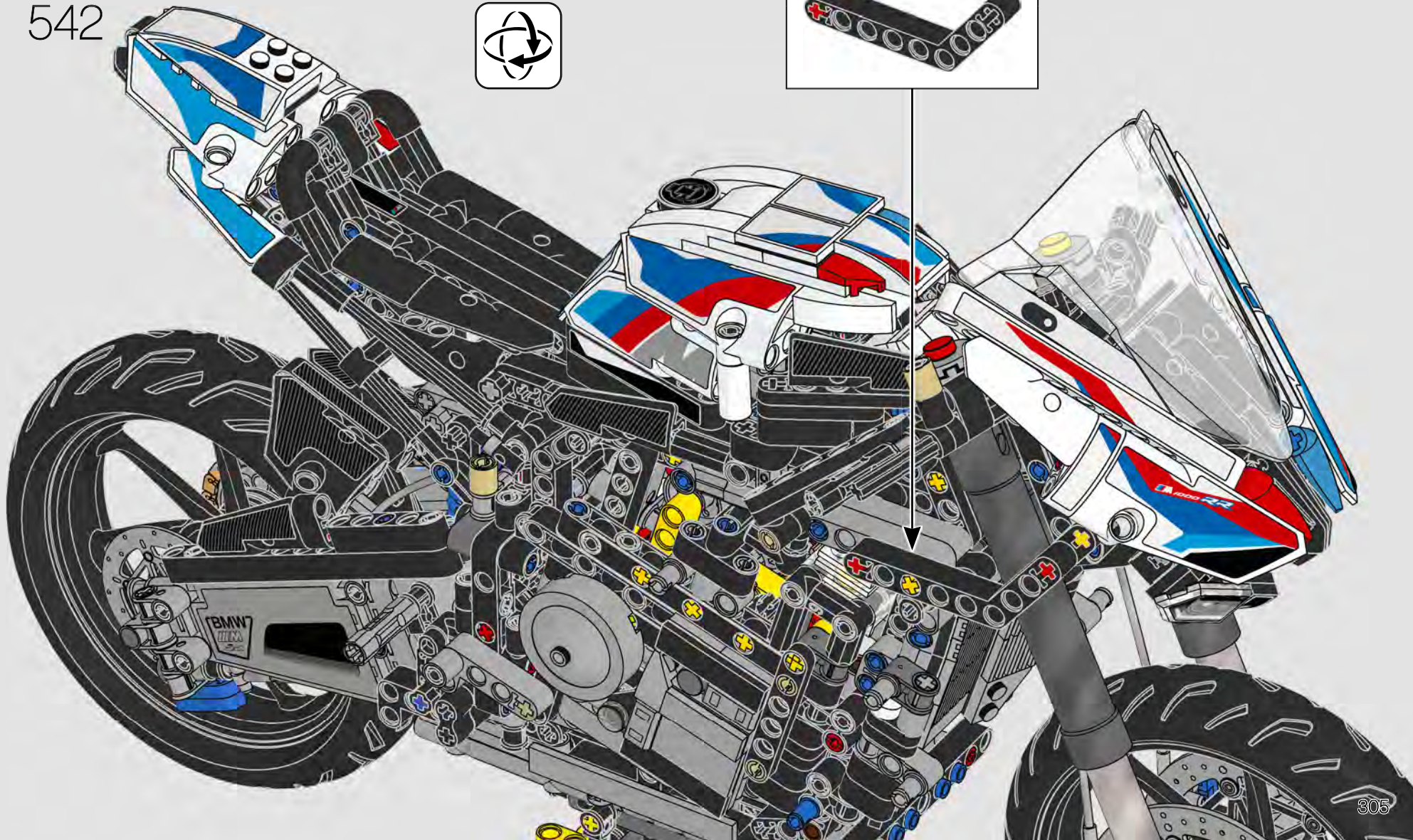
540

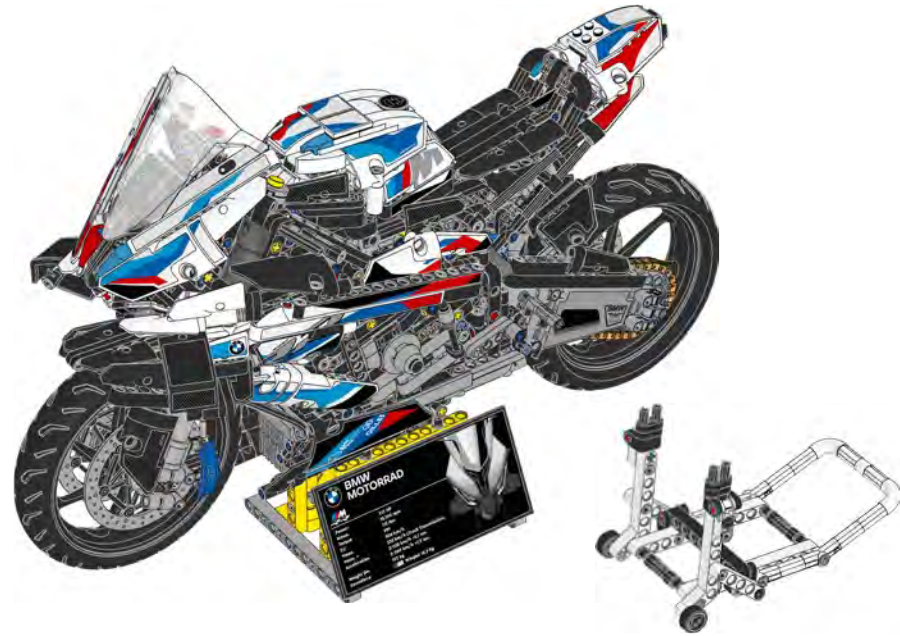
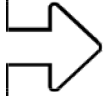


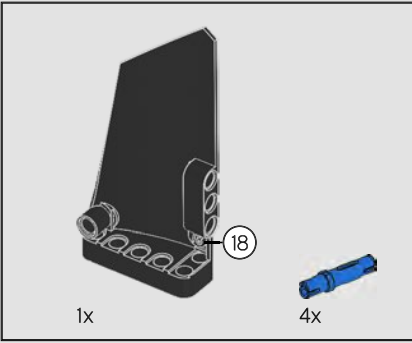




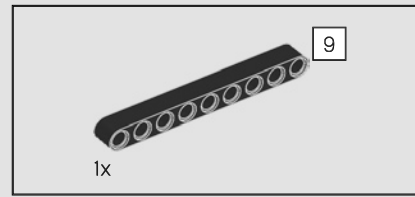
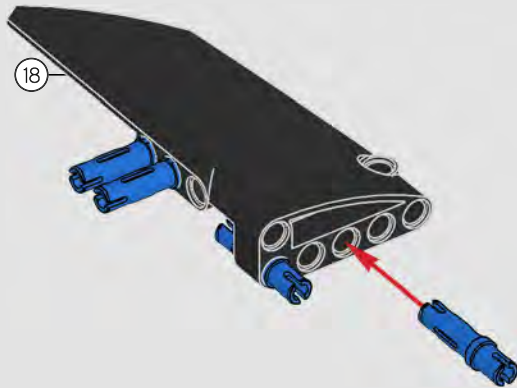
542



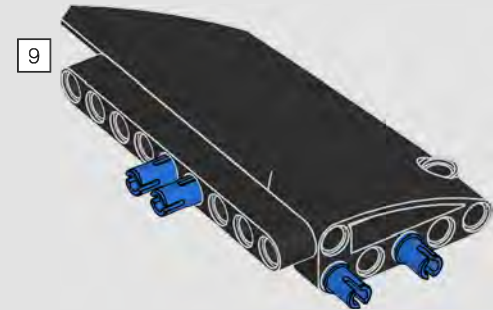




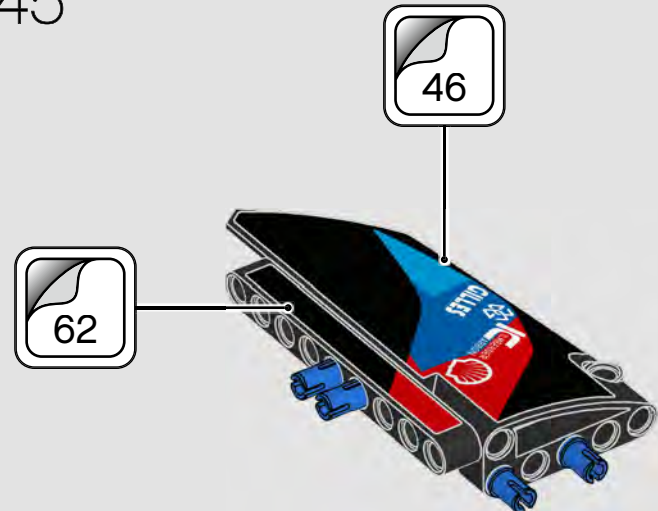
543

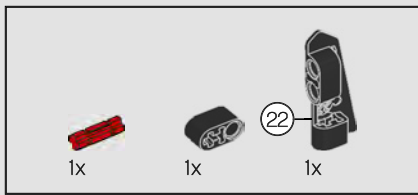


544

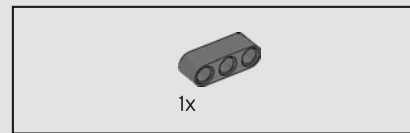
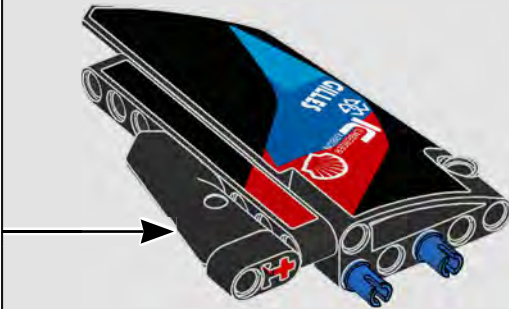
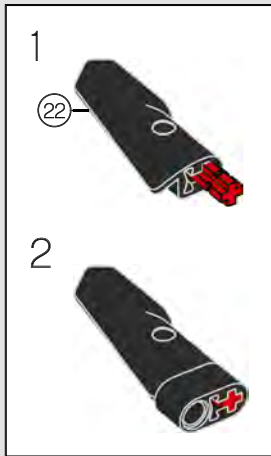


545

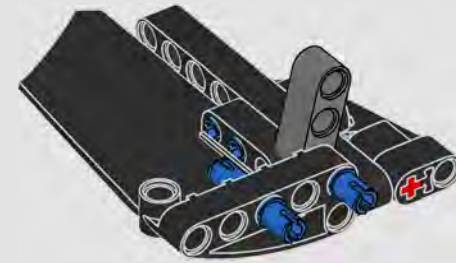
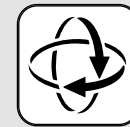




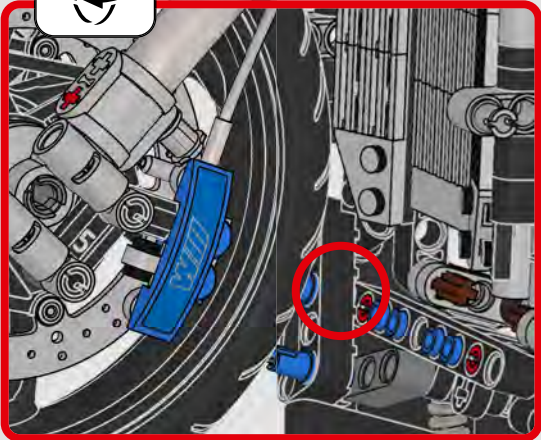
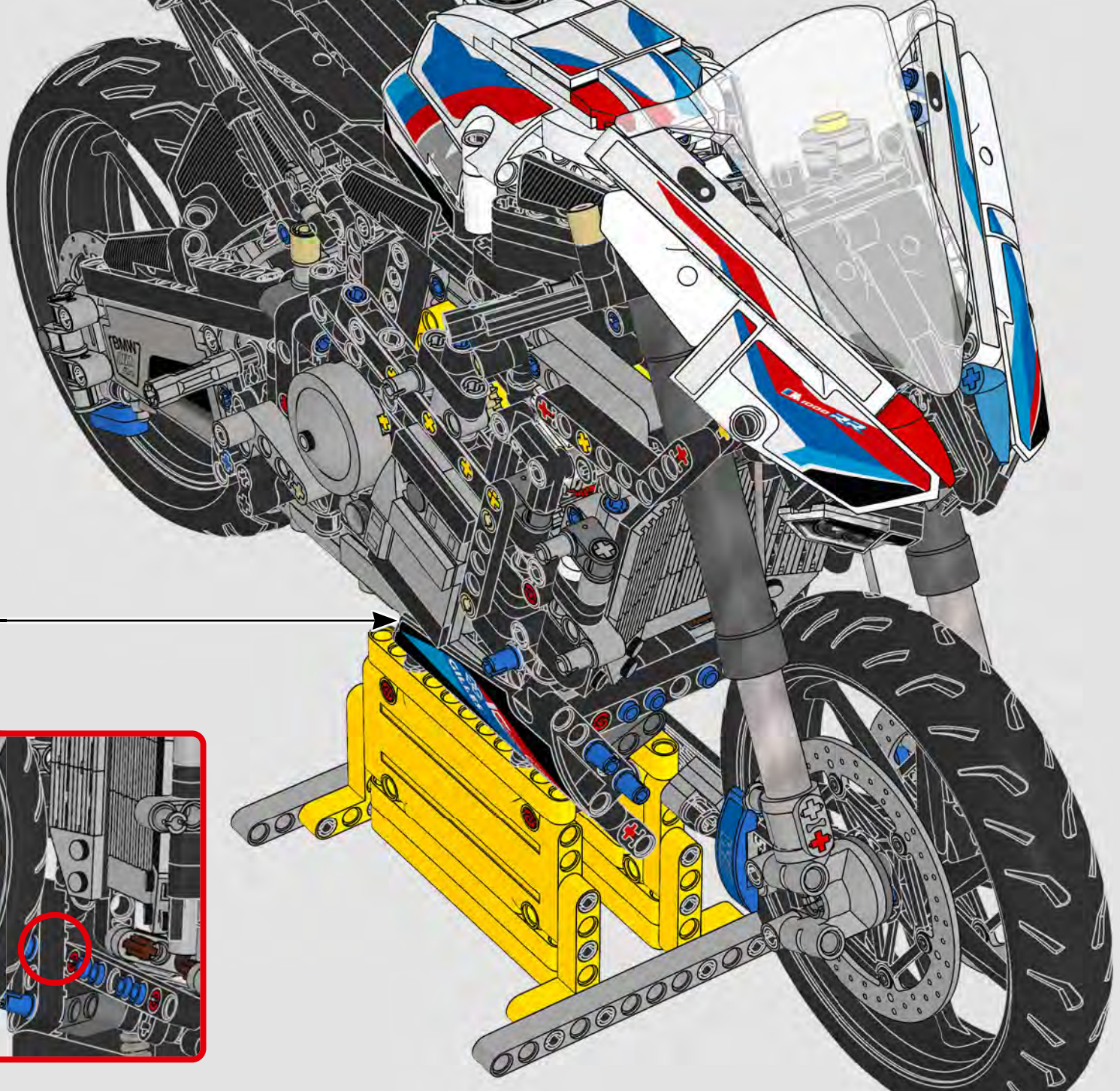
546

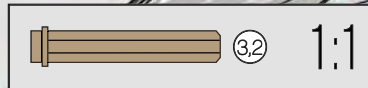


547

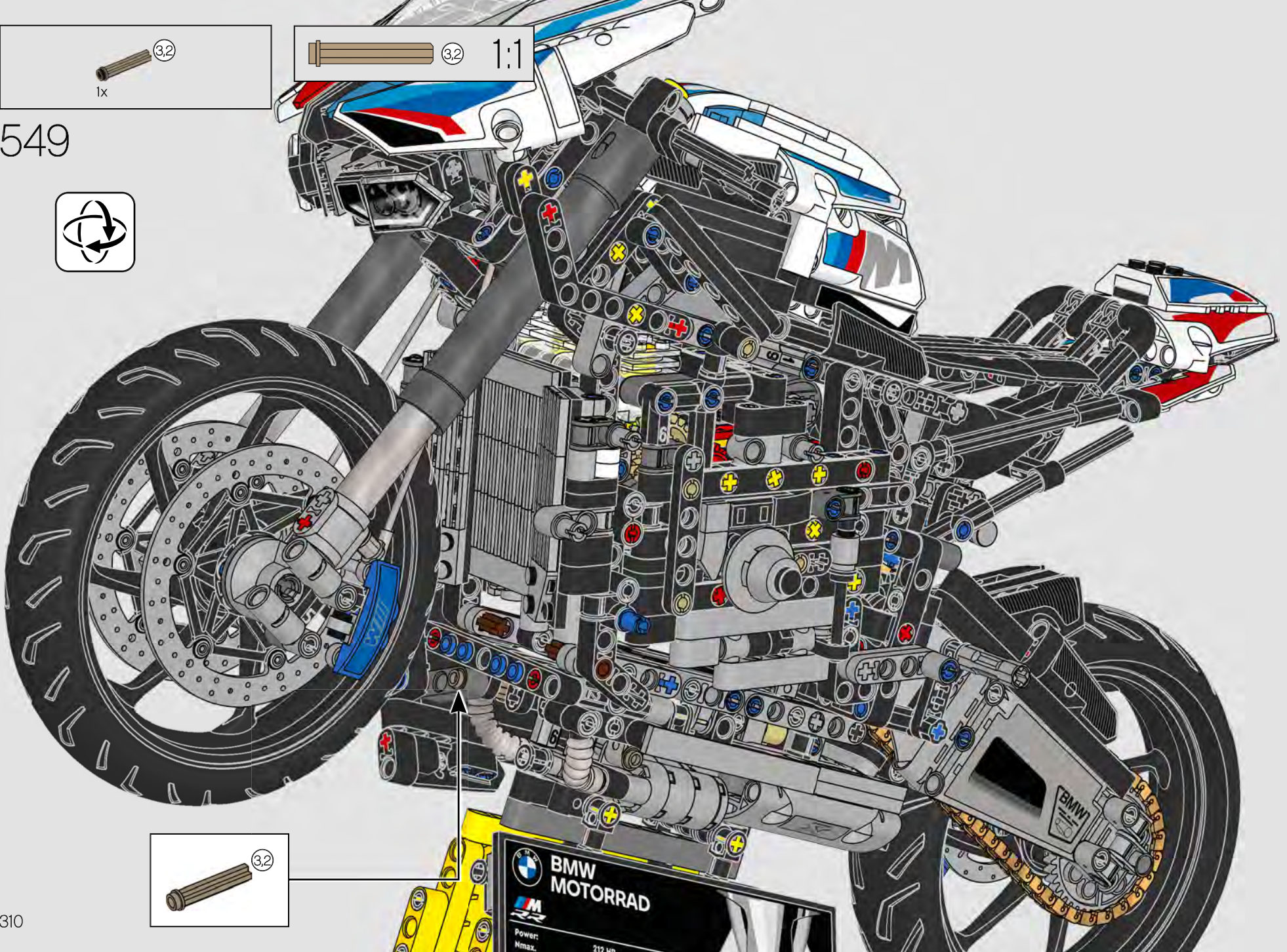
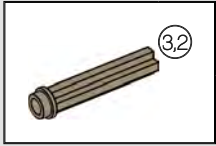


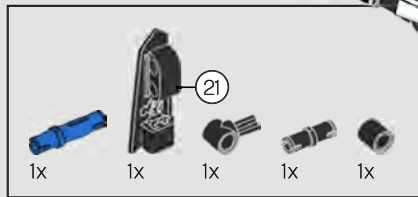
548



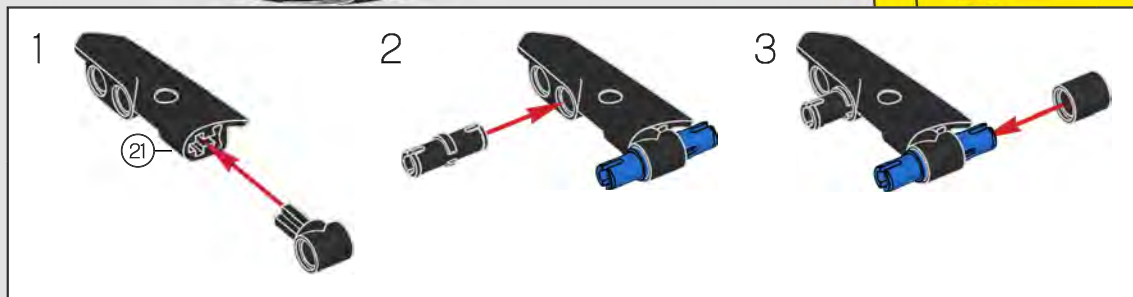
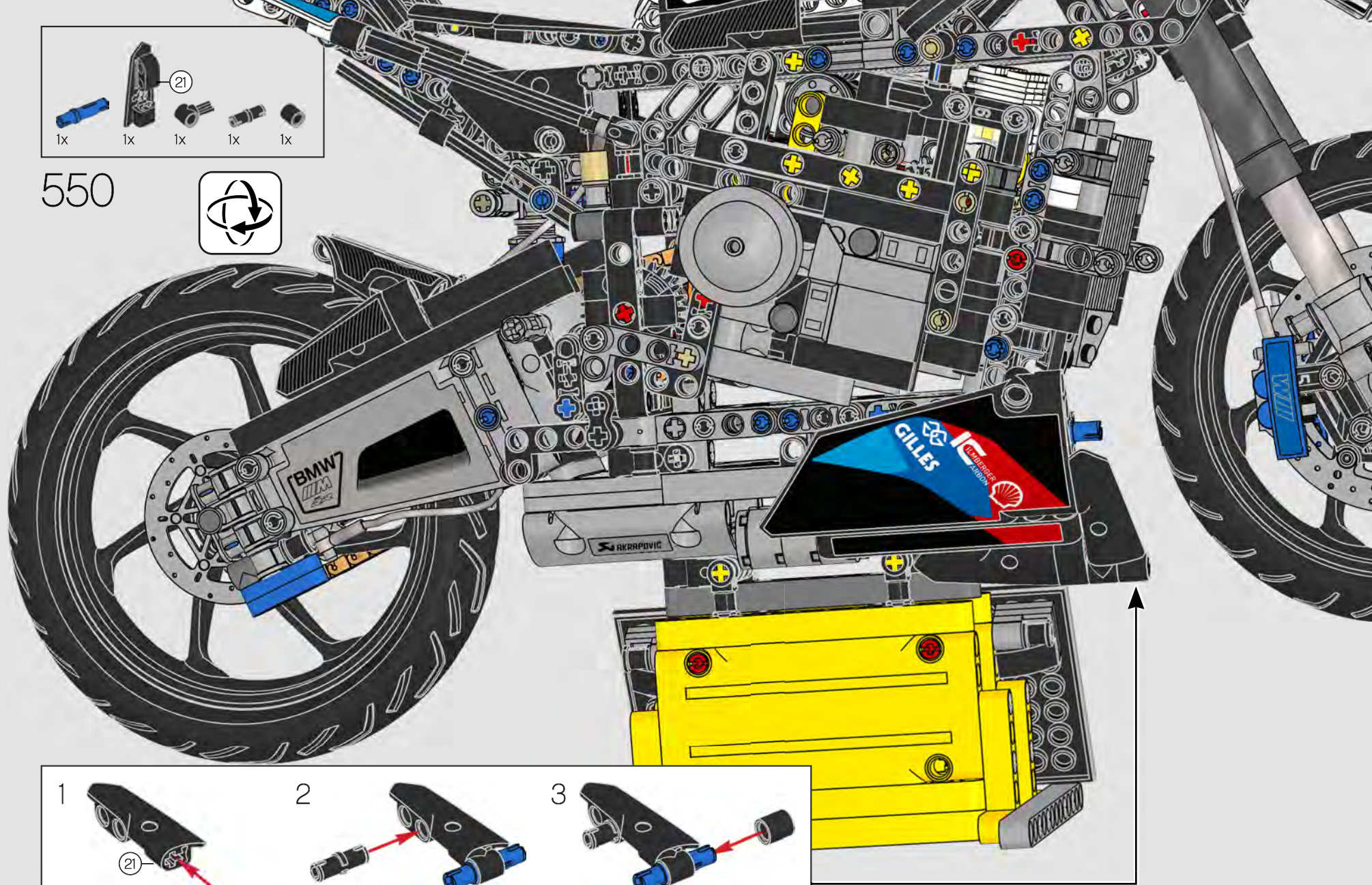


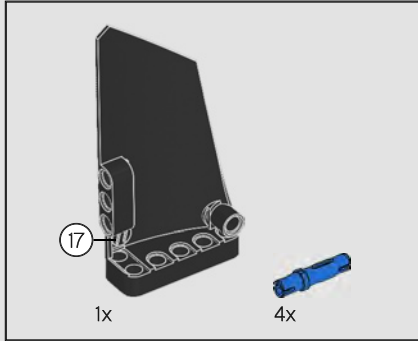
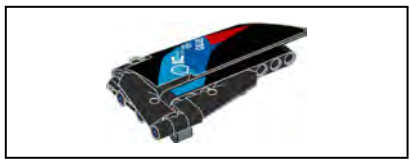
549



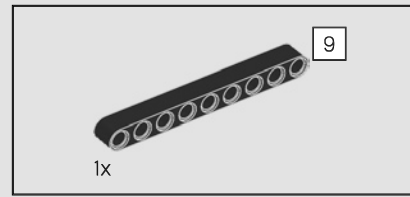
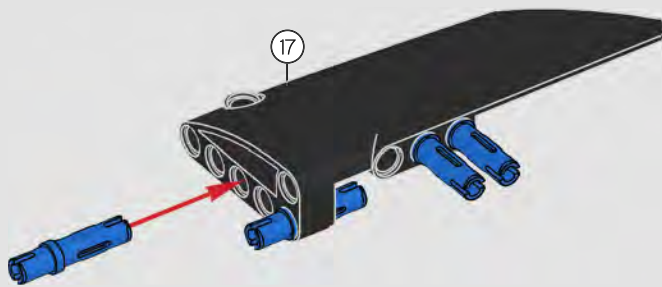


550





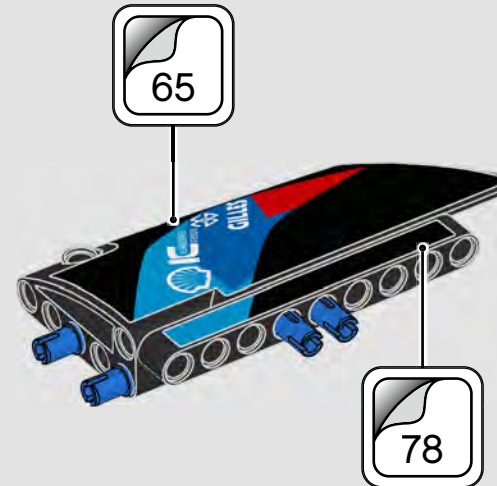
551

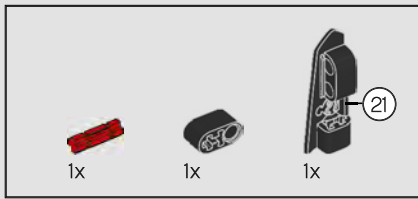


552

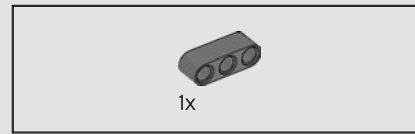
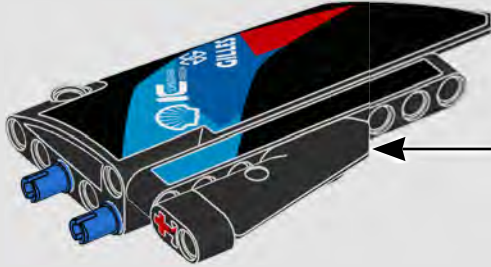
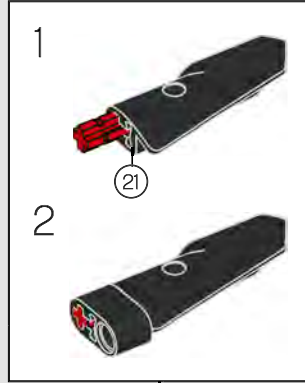


553

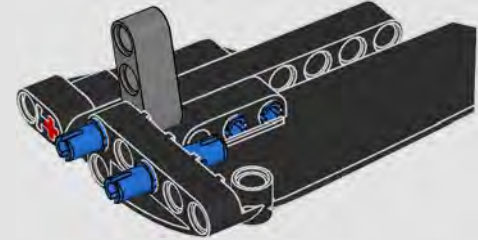




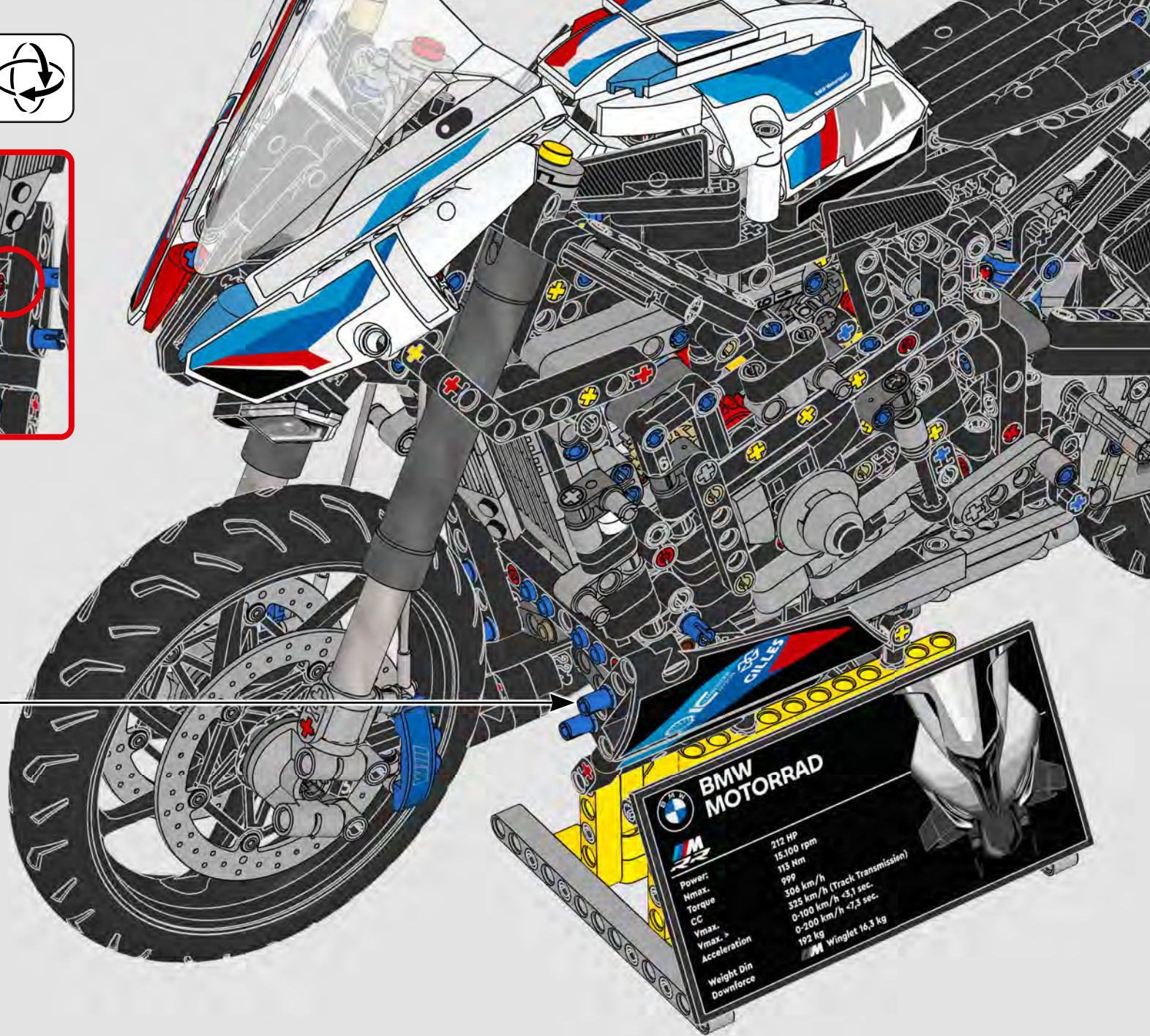
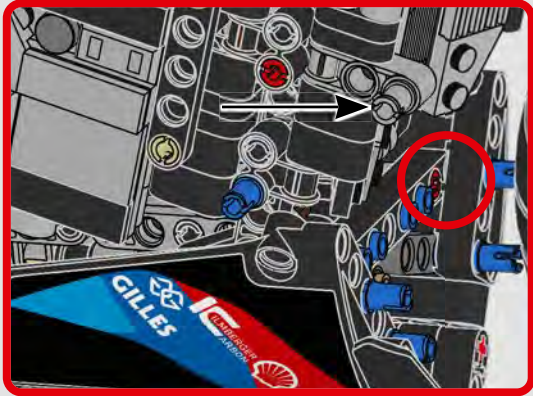
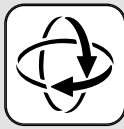
554



555



556



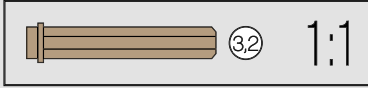
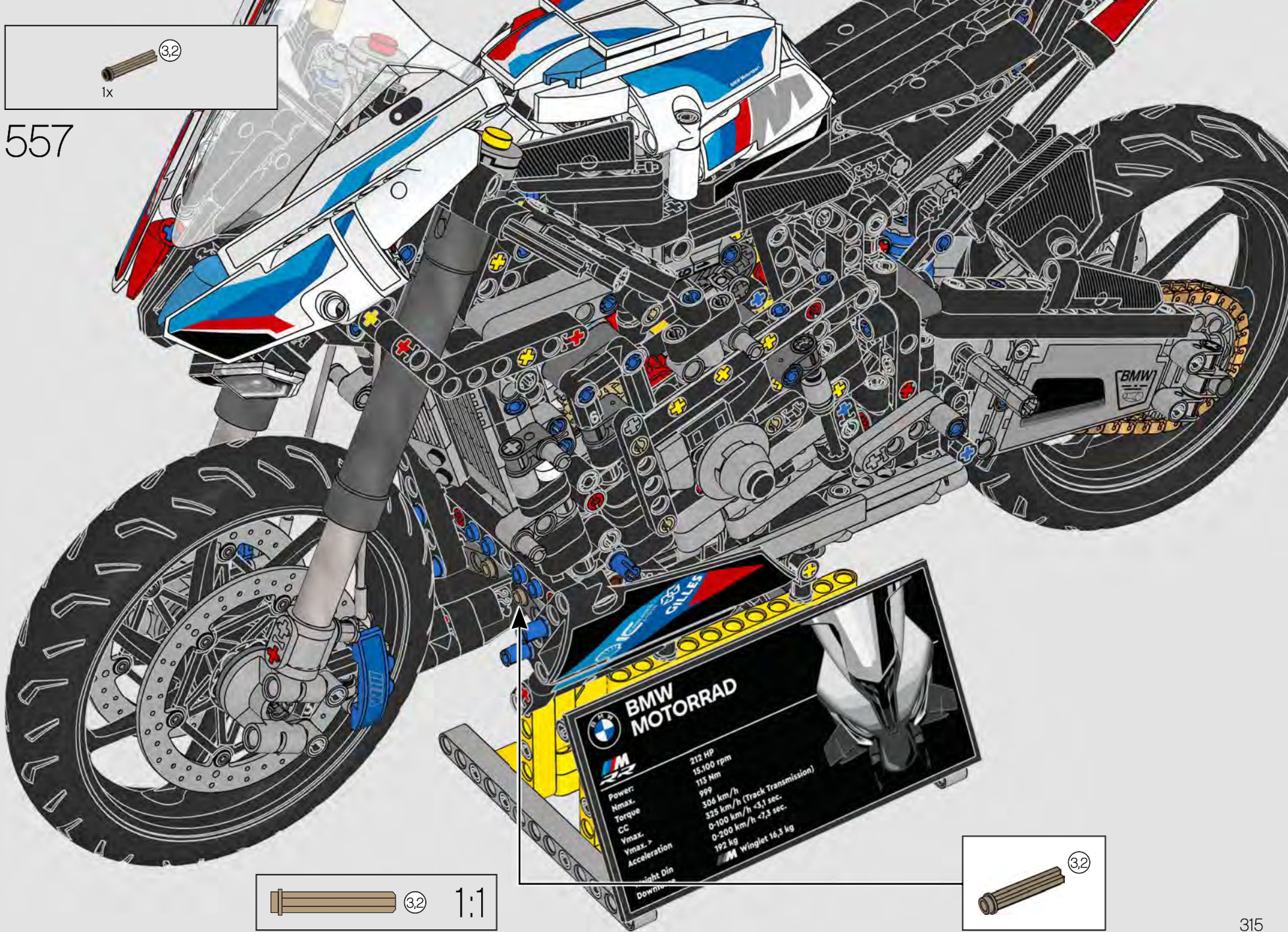
BMW MOTORRAD

Power:	212 HP
Nmax:	15.100 rpm
Torque:	115 Nm
CC	999
Vmax:	306 km/h (Track Transmission)
Vmax. >	325 km/h < 3,1 sec.
Acceleration	0-100 km/h < 7,3 sec.
Weight Din	192 kg
Downforce	Winglet 16,3 kg



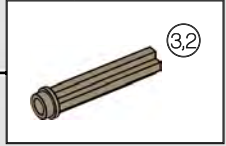
1x

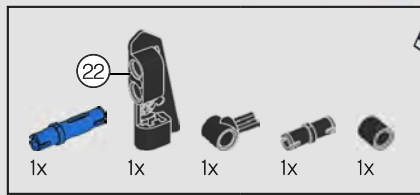
557



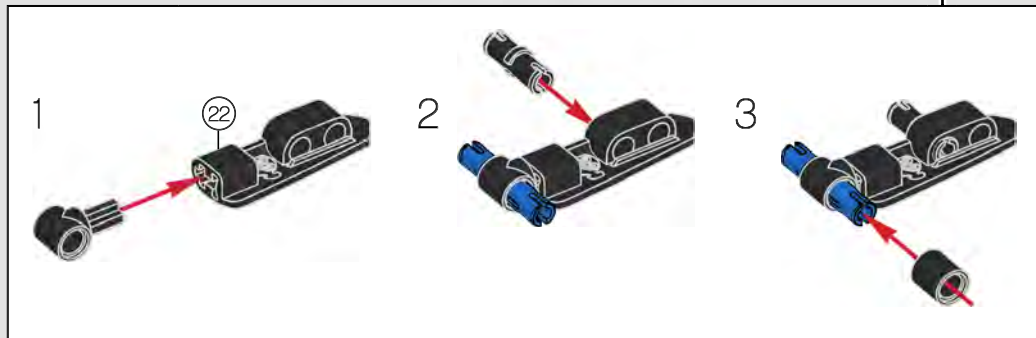
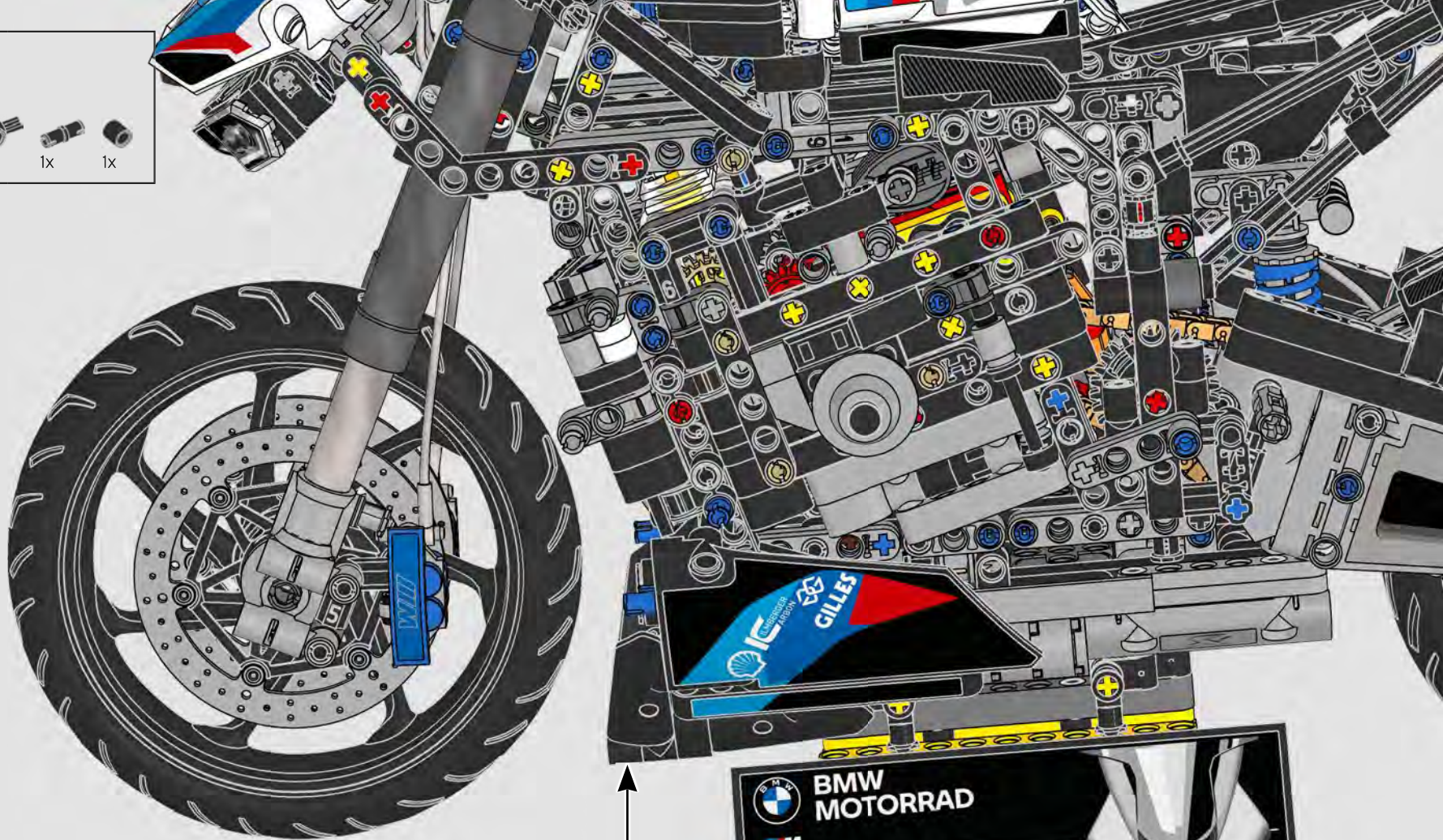
BMW MOTORRAD

Power:	212 HP
Nmax:	15.100 rpm
Torque:	113 Nm
CC:	999
Vmax:	306 km/h (Track Transmission)
Acceleration:	0-100 km/h <3,1 sec.
Weight (DIN)	0-200 km/h <7,3 sec.
Downforce:	192 kg
	Winglet 16,3 kg

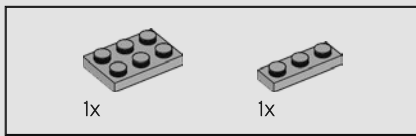




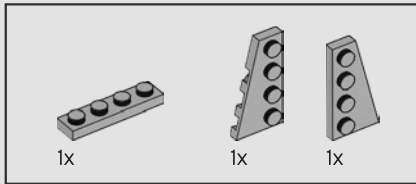
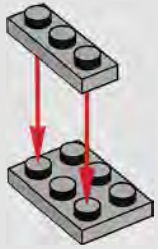
558



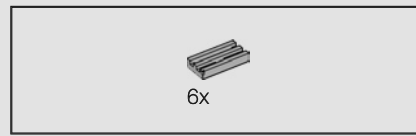
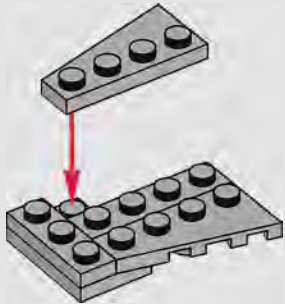
Power:	212 HP
Nmax.	15.100 rpm
Torque	113 Nm
CC	999
Vmax.	306 km/h
Vmax. >	325 km/h (Track Transmission)
Acceleration	0-100 km/h <3,1 sec.
	0-200 km/h <7,3 sec.
Weight Din	192 kg
Downforce	M Winglet 16,3 kg



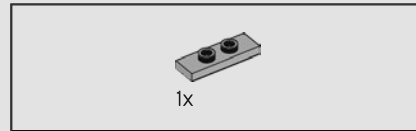
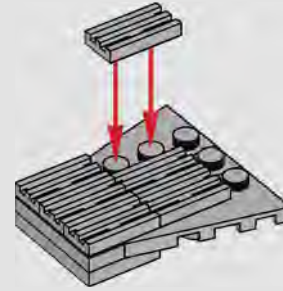
559



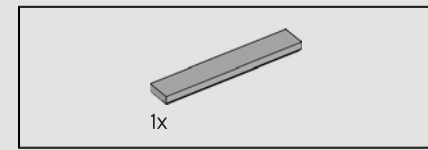
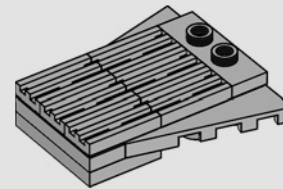
560



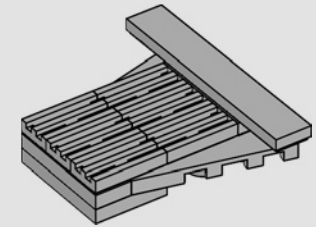
561

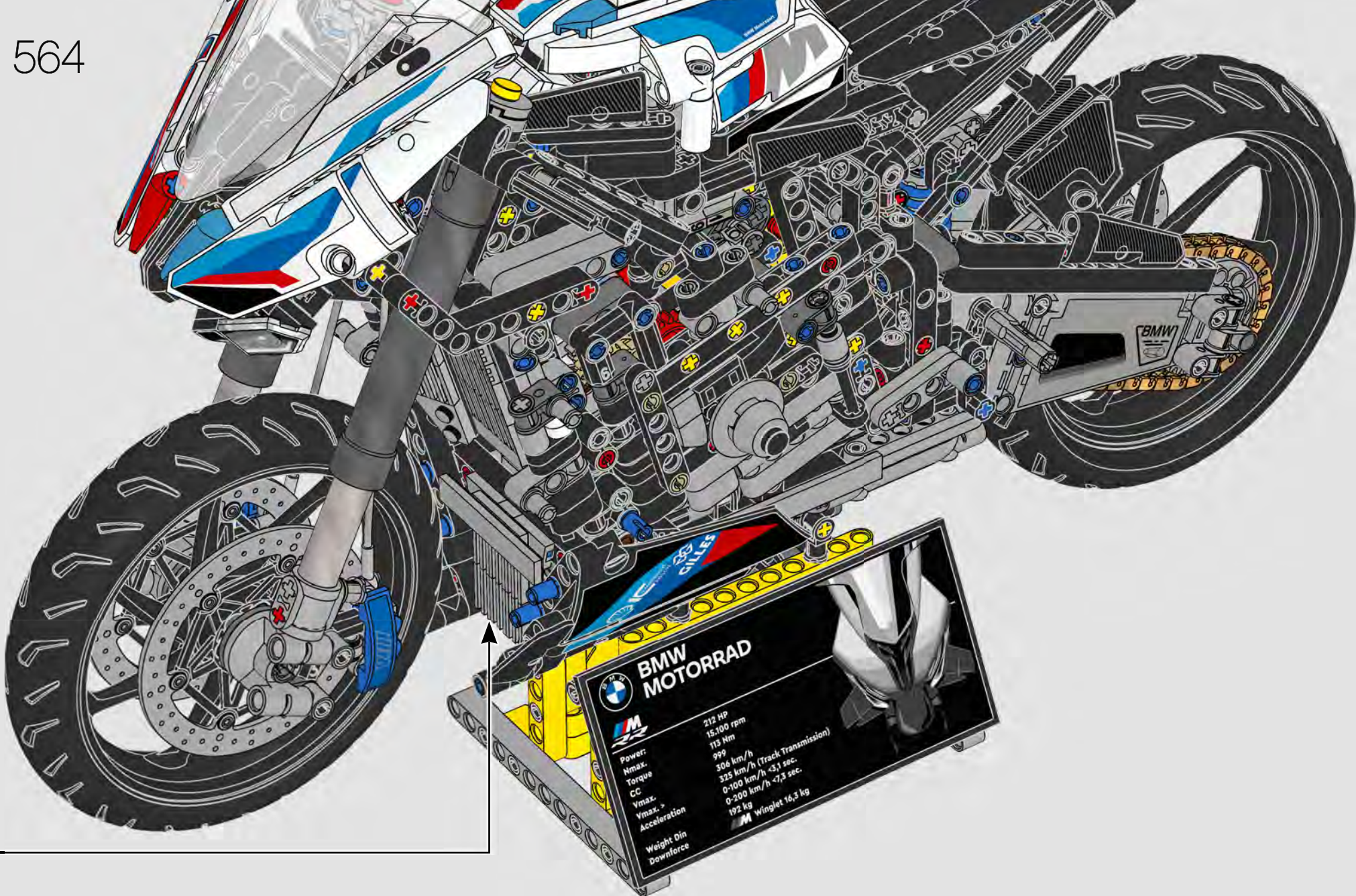


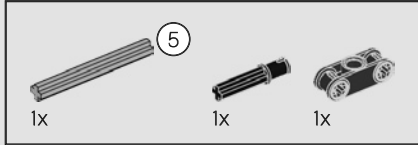
562



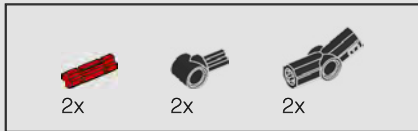
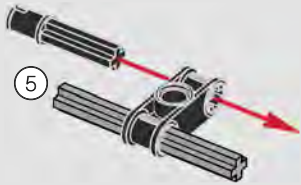
563



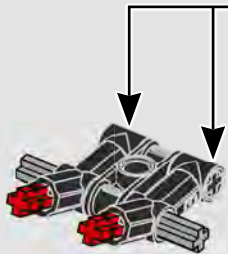
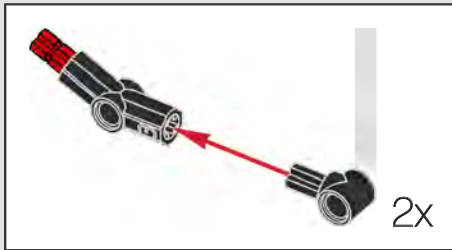




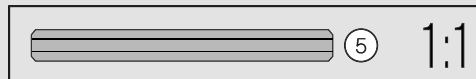
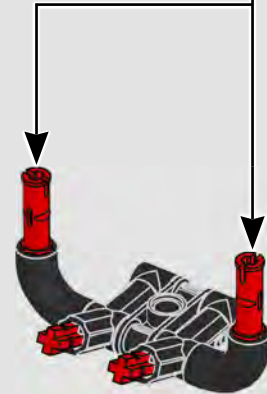
565

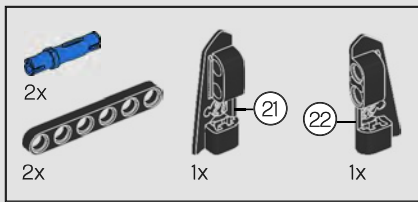


566

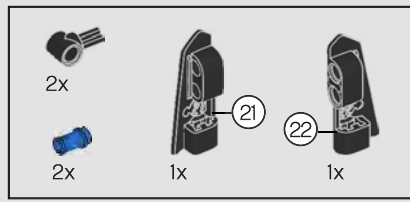
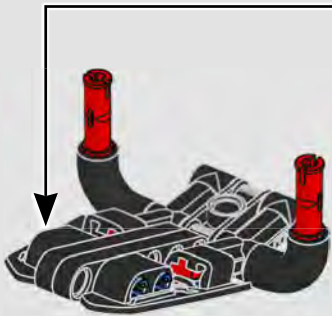
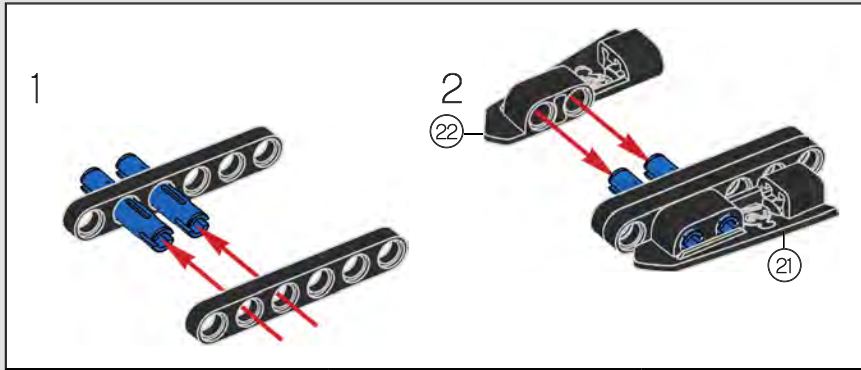
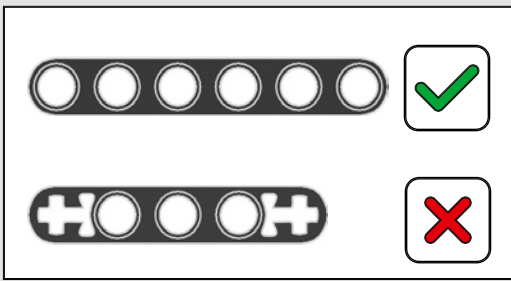


567

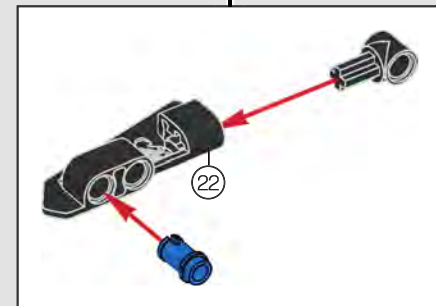
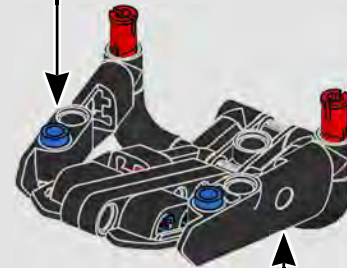
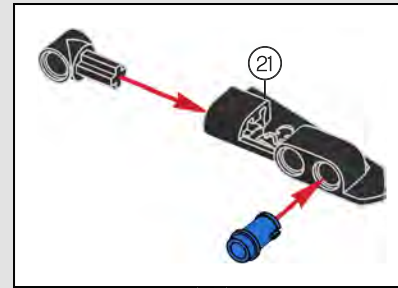


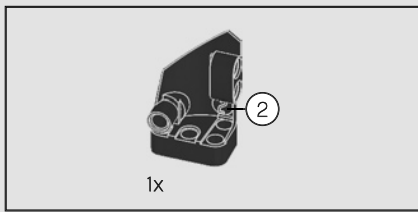


568

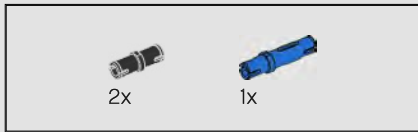
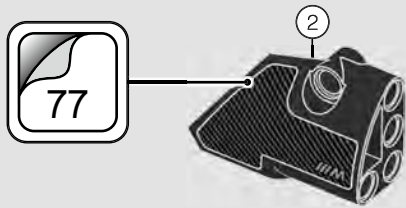


569

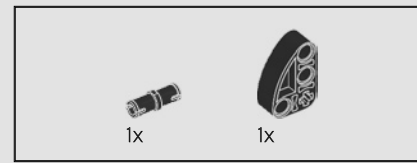
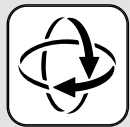




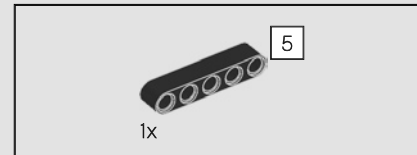
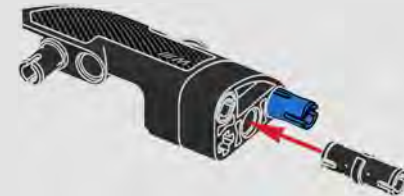
570



571



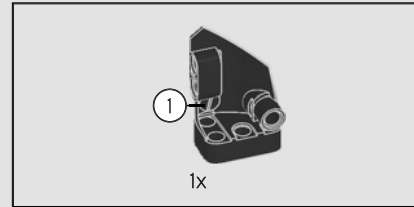
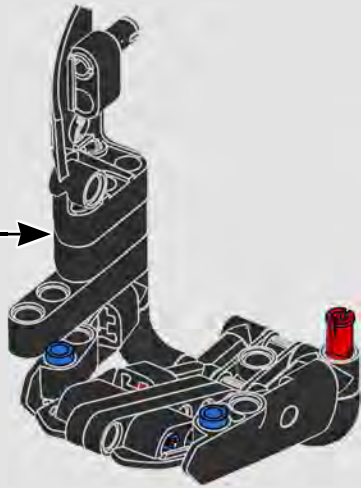
572



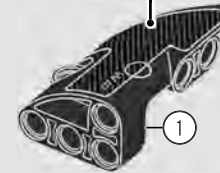
573



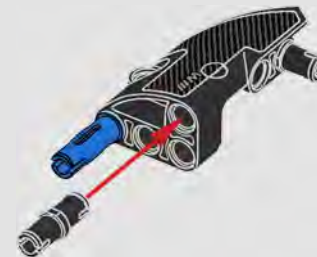
574

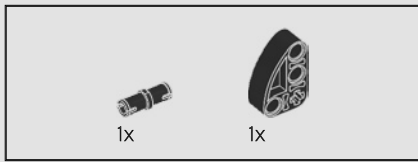


575

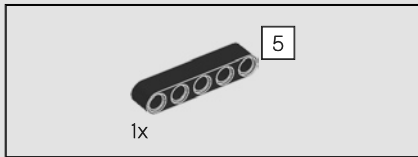
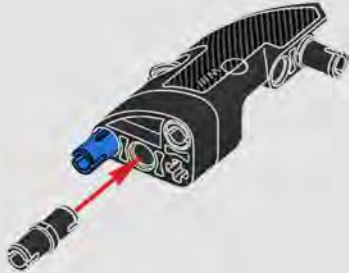


576





577



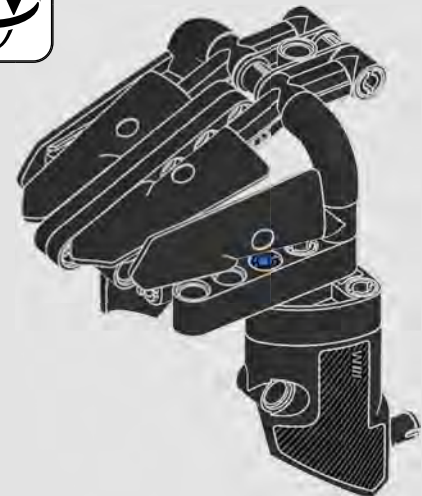
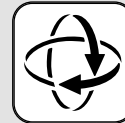
578

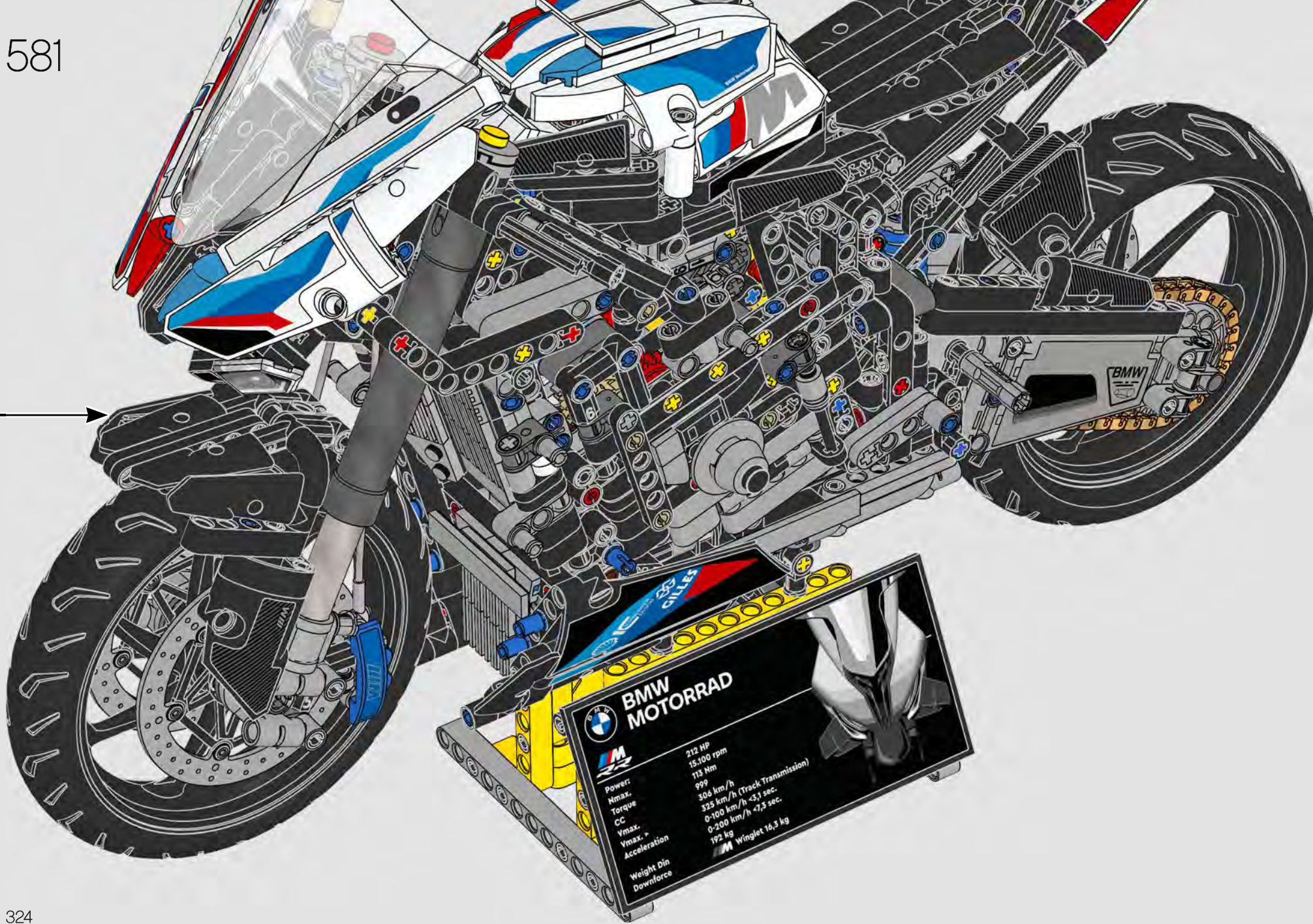


579



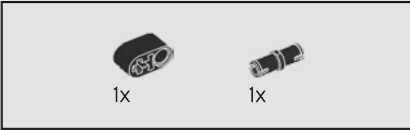
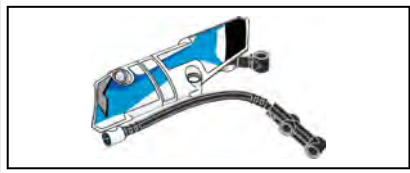
580



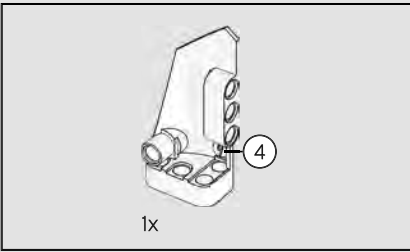


BMW MOTORRAD

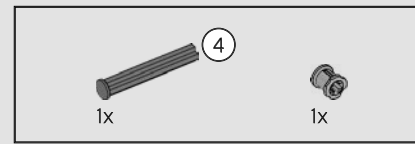
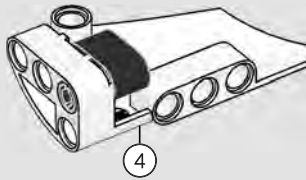
Power:	212 HP
Nmax:	15,100 rpm
Torque:	118 Nm
CC	999
Vmax:	308 km/h (Track Transmission)
Acceleration	0-100 km/h \approx 3,1 sec.
Weight Din	192 kg
Downforce	Winglet 16,3 kg



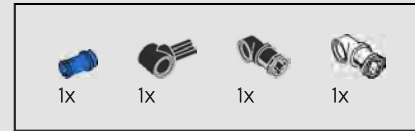
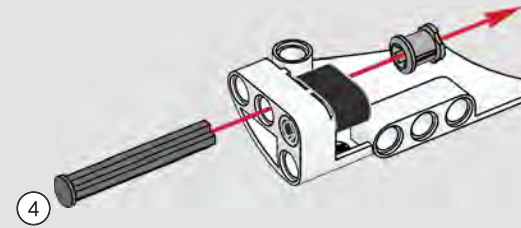
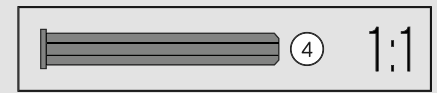
582



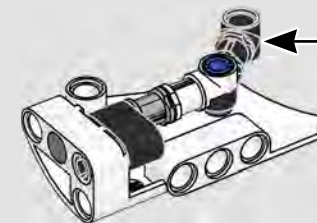
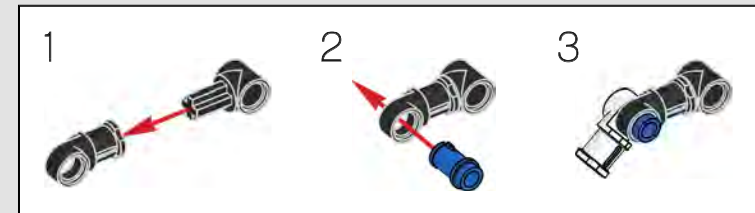
583

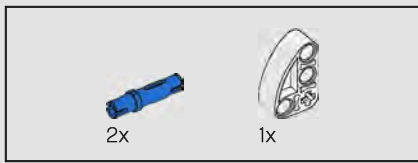


584

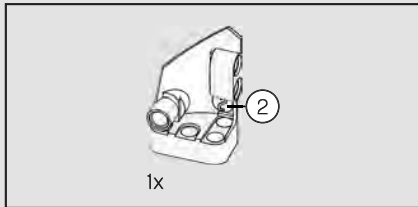
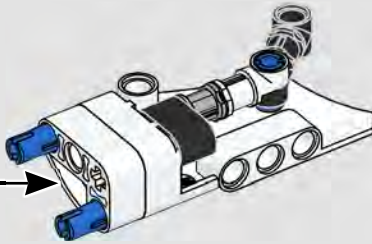
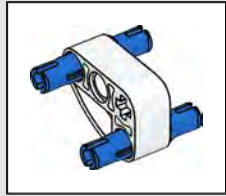


585

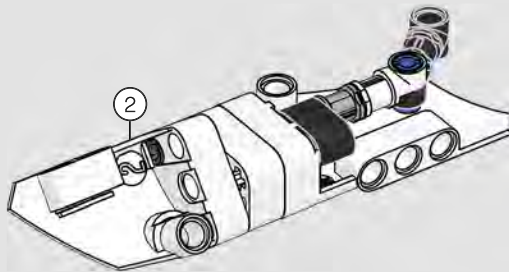




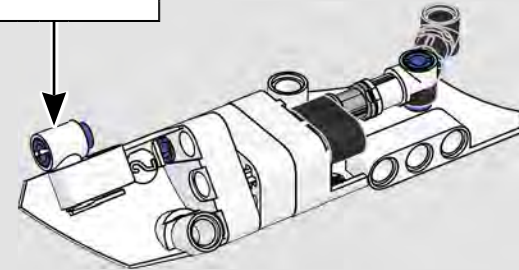
586



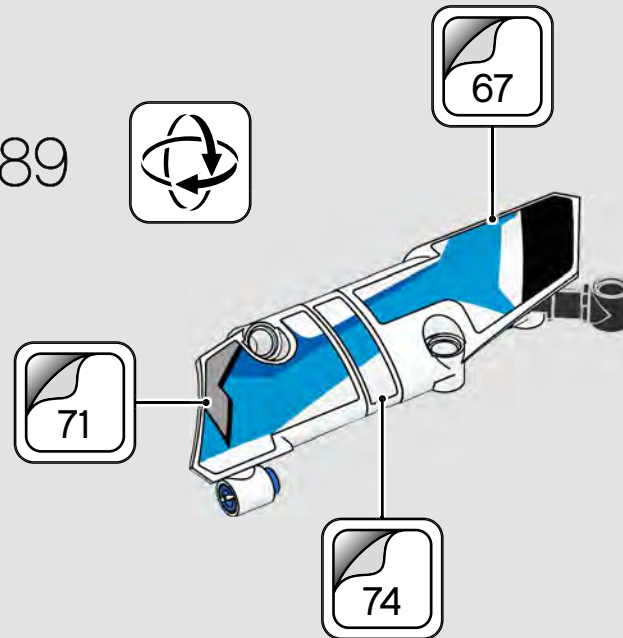
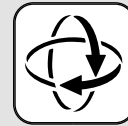
587

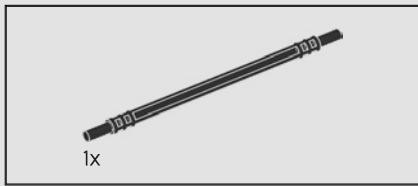


588

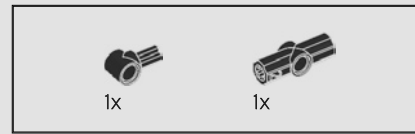
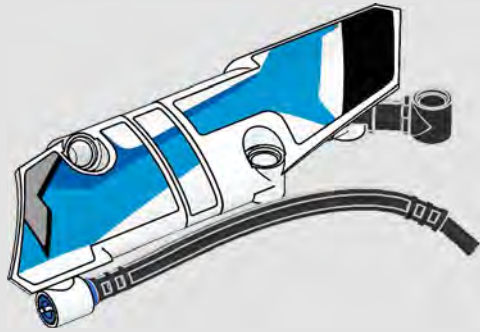


589

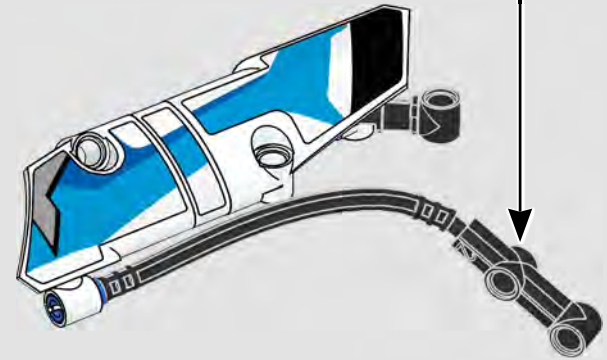
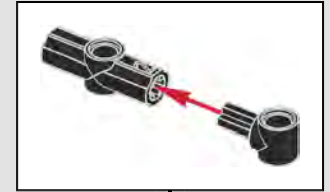


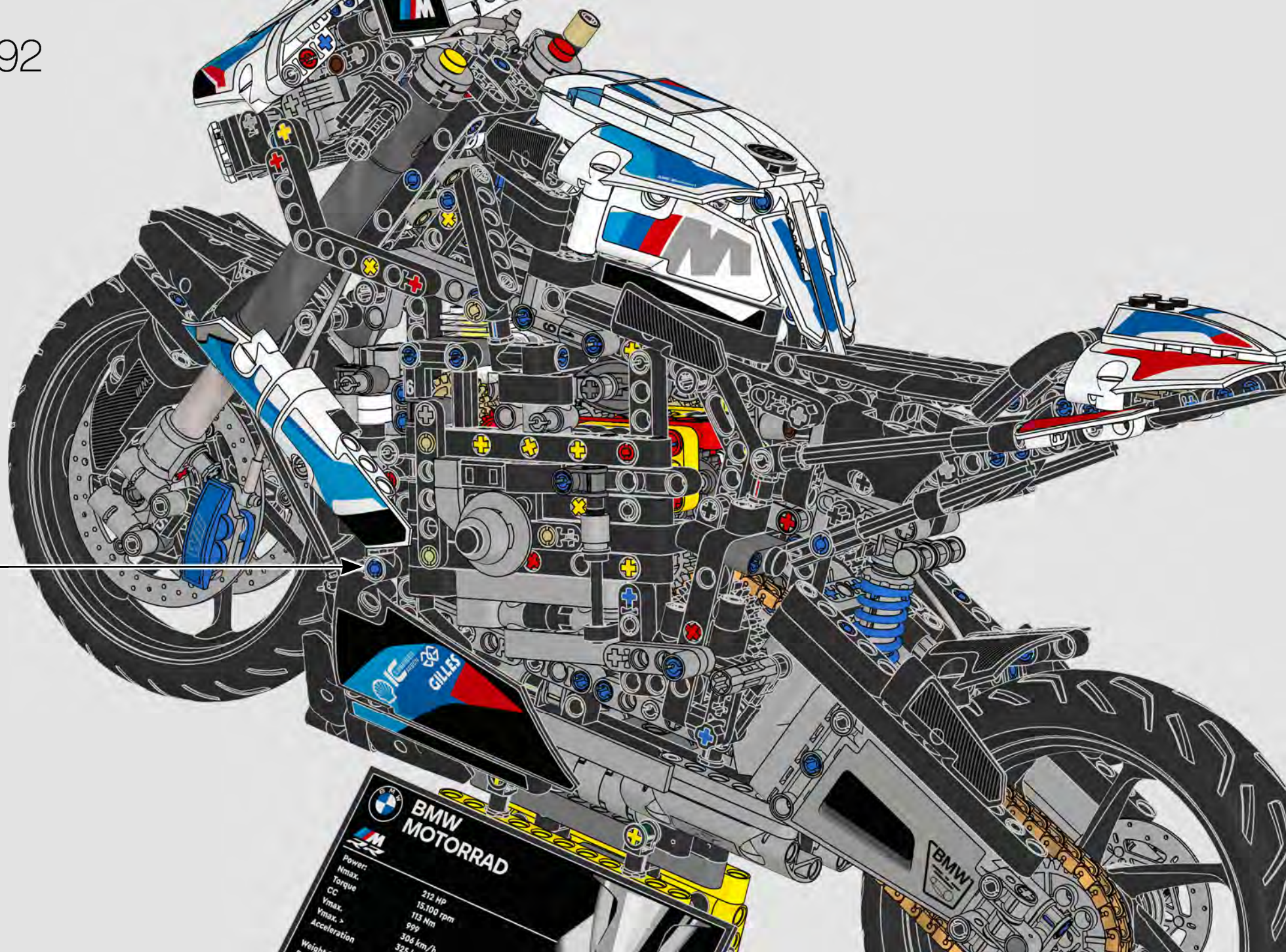


590



591

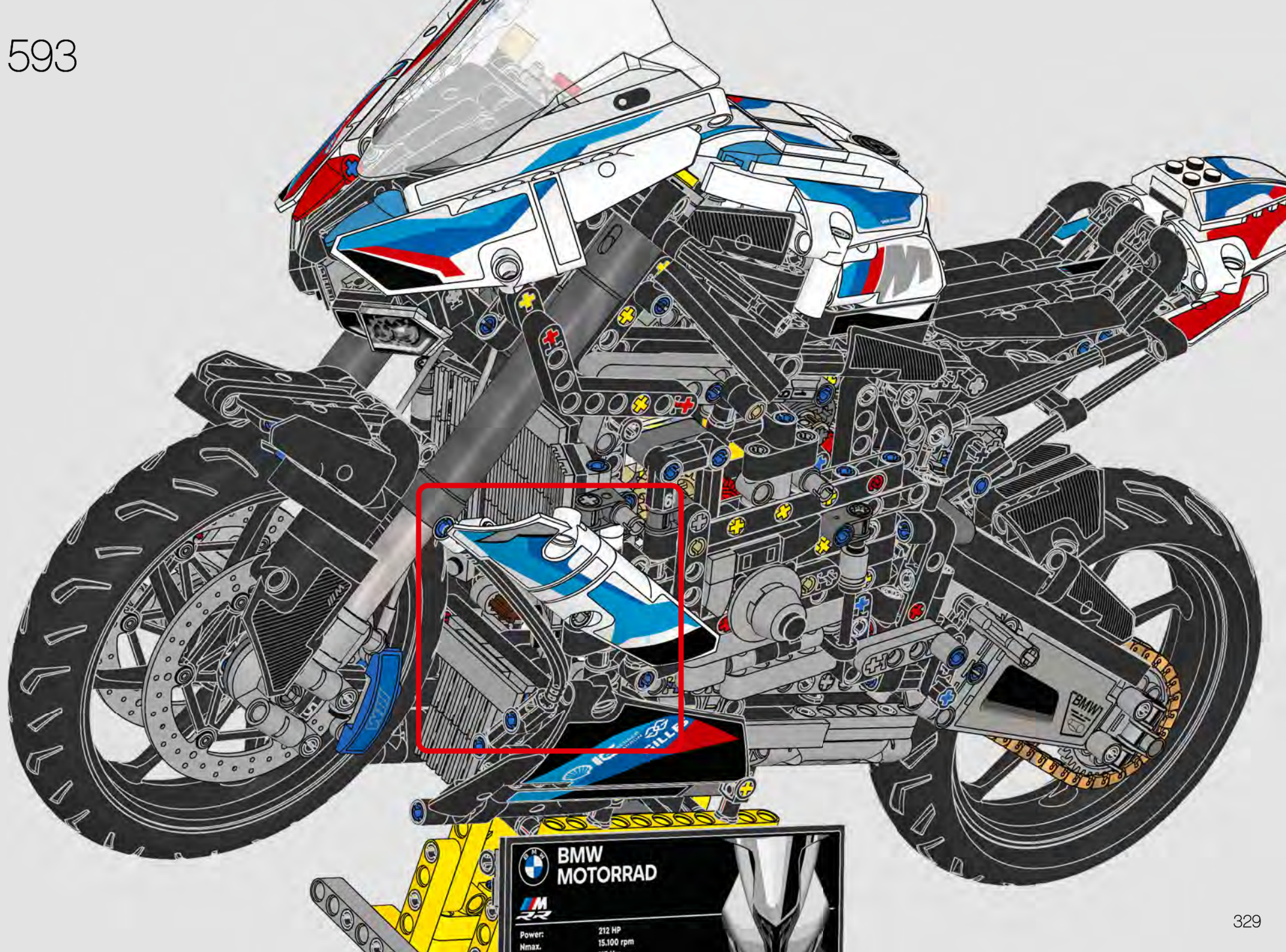




 **BMW MOTORRAD**

 Power: 212 HP
Mmax: 15,100 rpm
Torque: 113 Nm
CC: 999
Vmax: 306 km/h
Vmax > Acceleration: 325 s

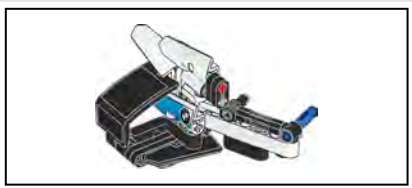
Weight: 325 kg



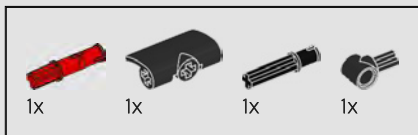
 **BMW
MOTORRAD**

 **M**

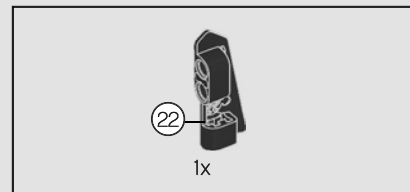
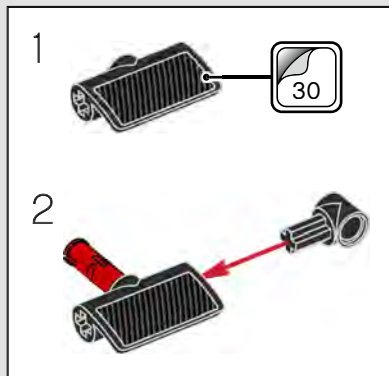
Power: 212 HP
Nmax: 15.100 rpm



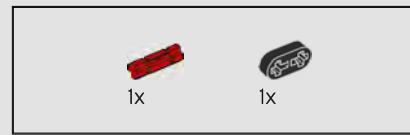
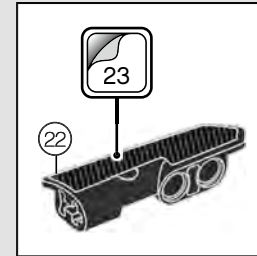
594



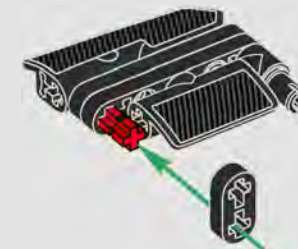
595

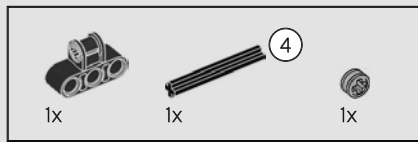


596

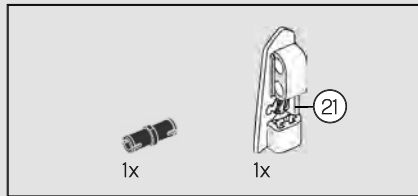
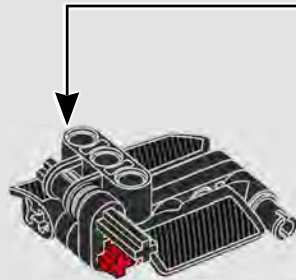
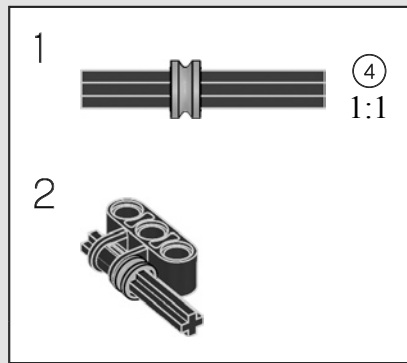


597

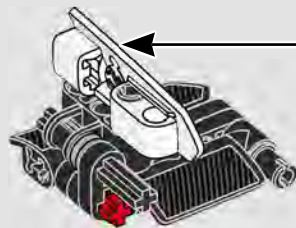
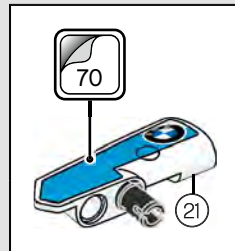




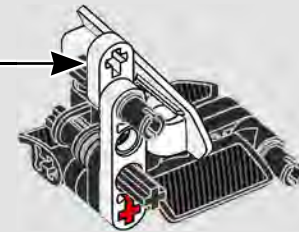
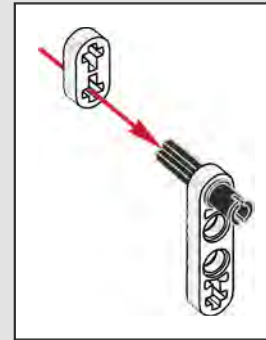
598



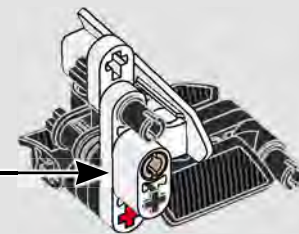
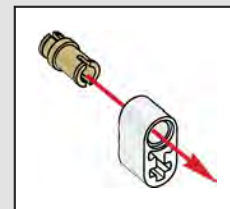
599

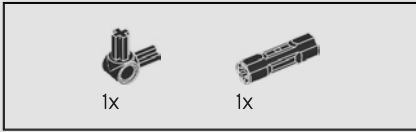
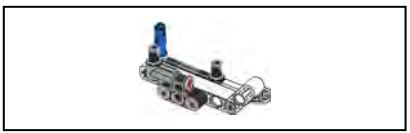


600

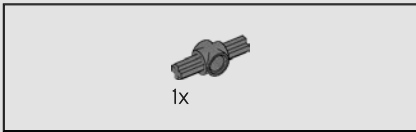
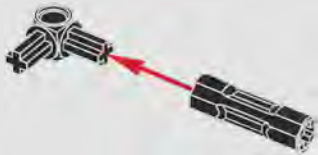


601





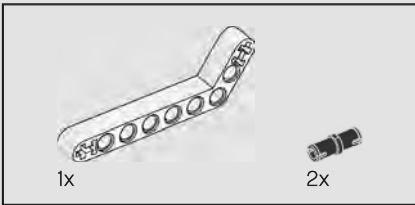
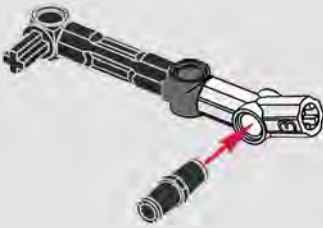
602



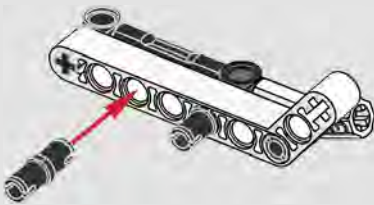
603

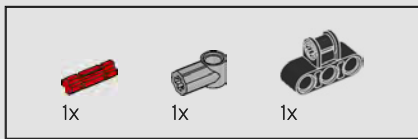


604

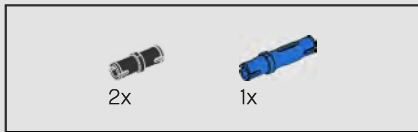
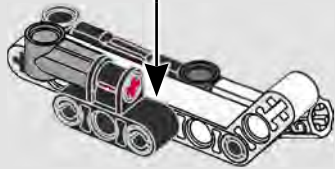
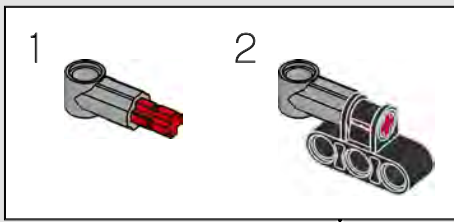


605

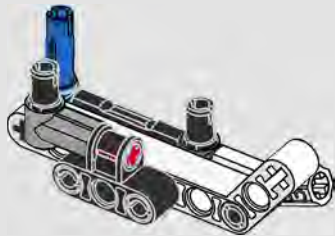




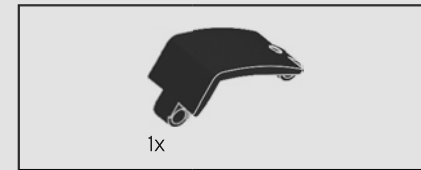
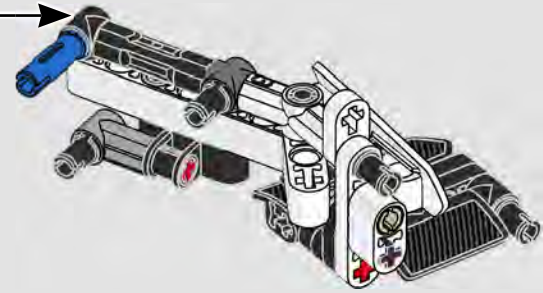
606



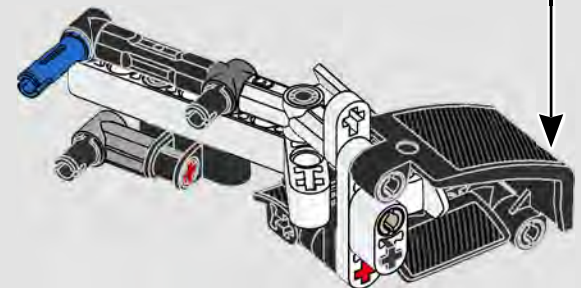
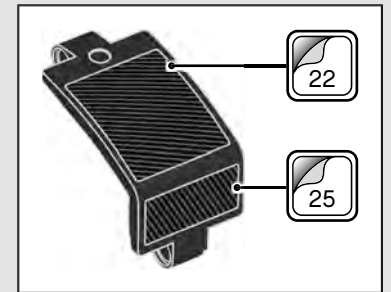
607

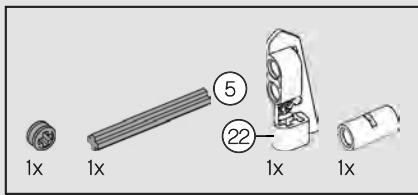


608

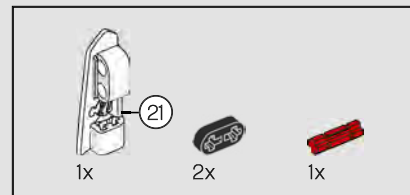
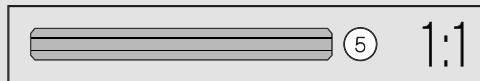
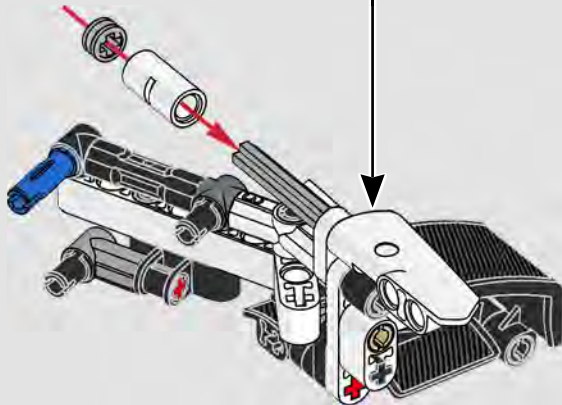
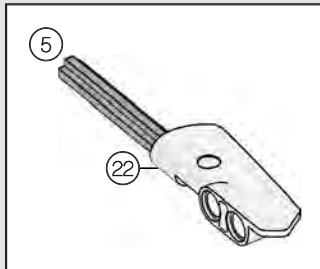


609

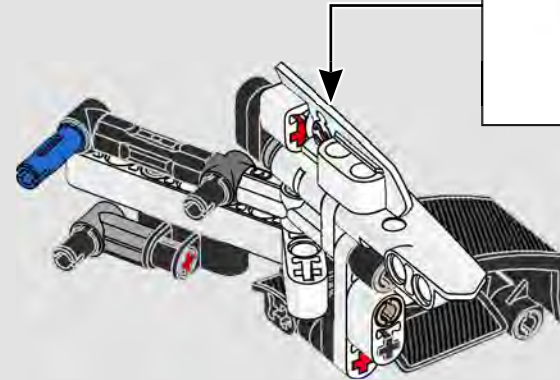
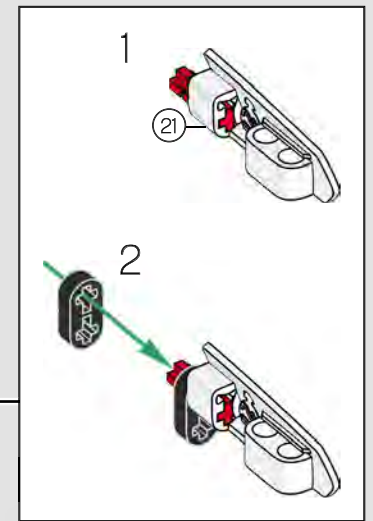




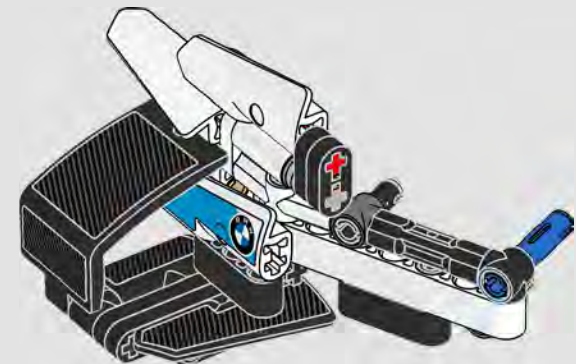
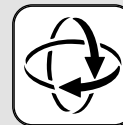
610



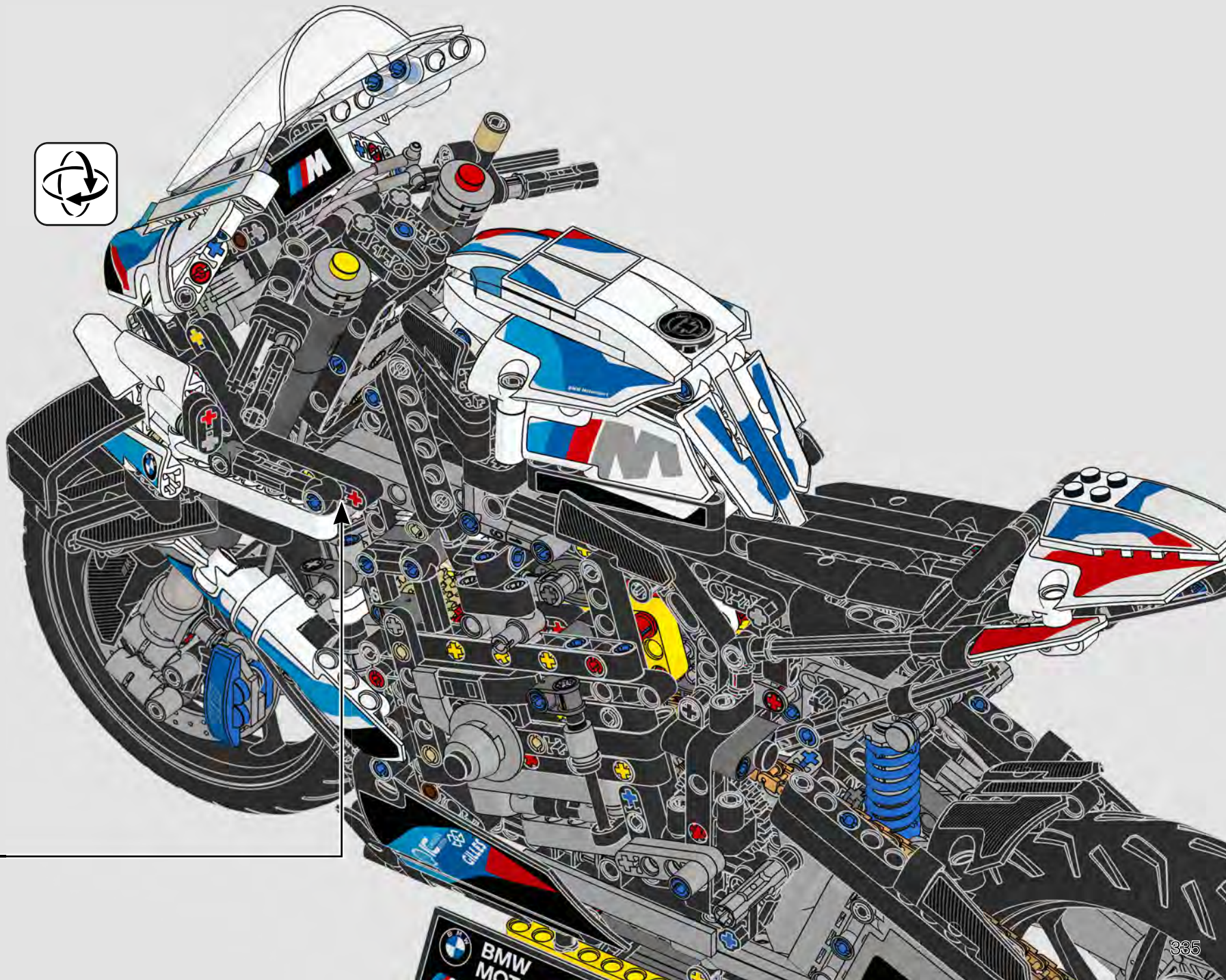
611



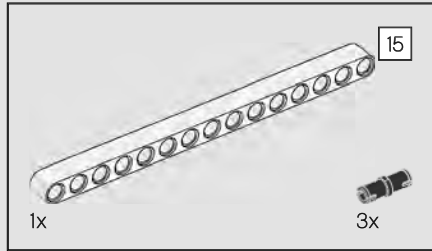
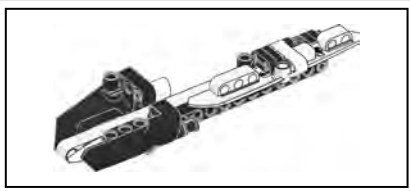
612



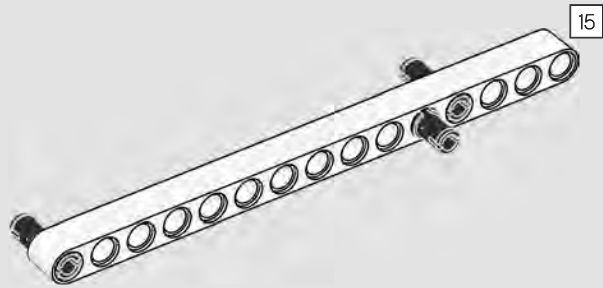
613



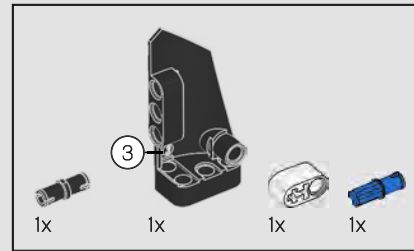
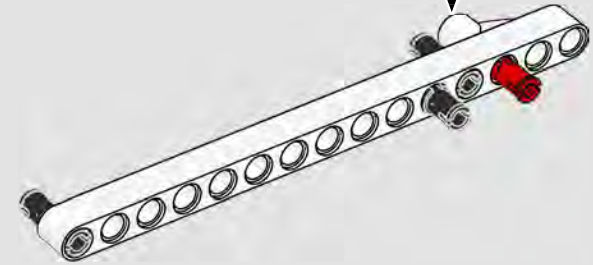
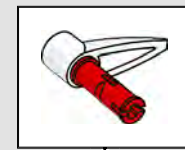
BMW
MOT



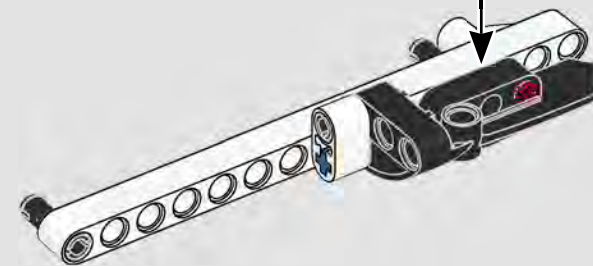
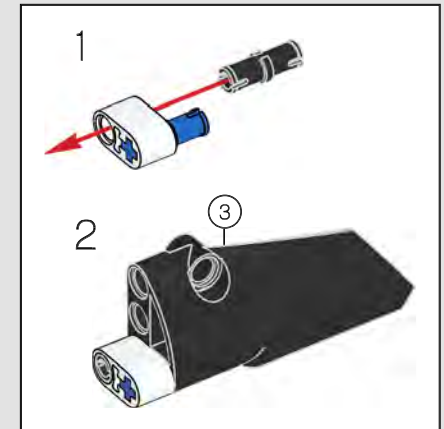
614

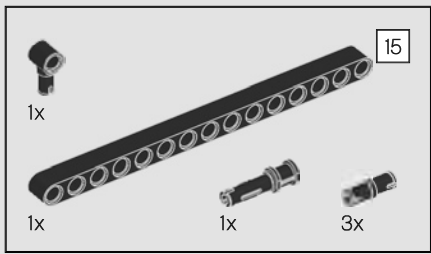


615



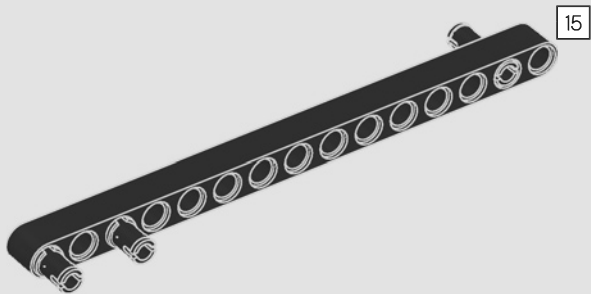
616



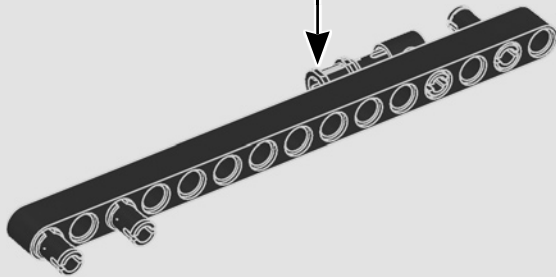
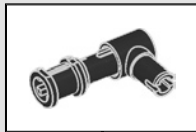


617

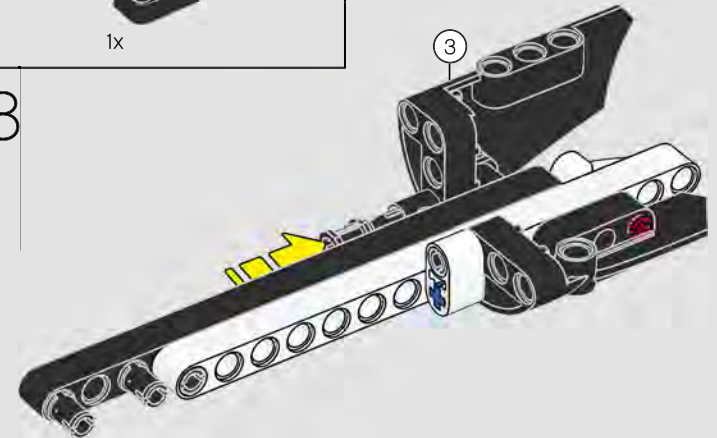
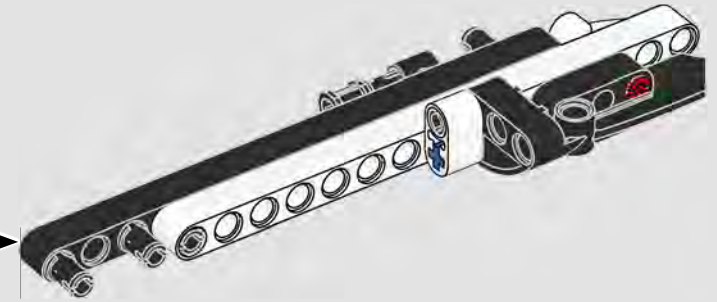
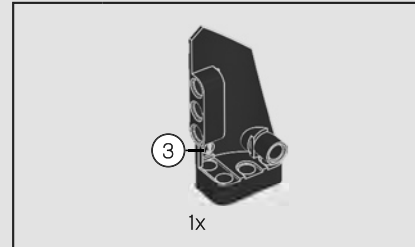
1

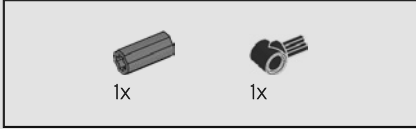
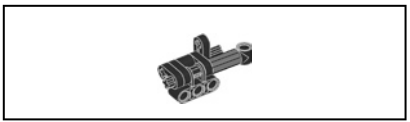


2

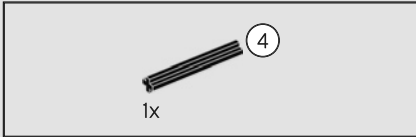
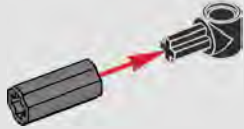


618

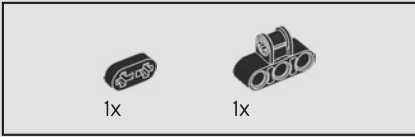
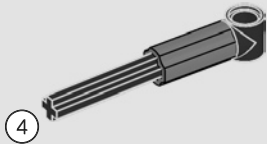




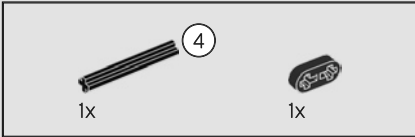
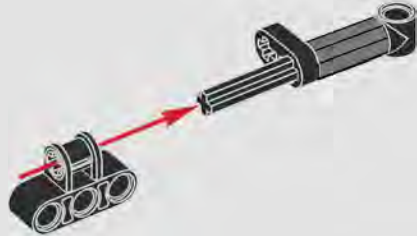
619



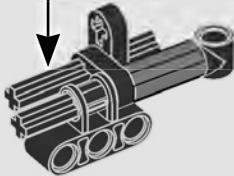
620



621

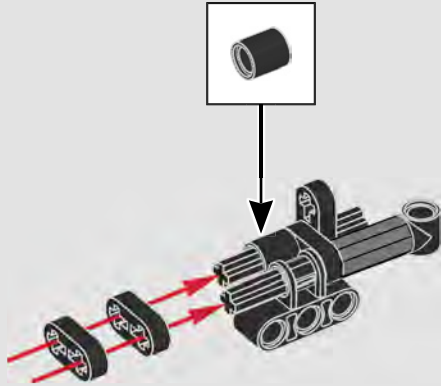


622

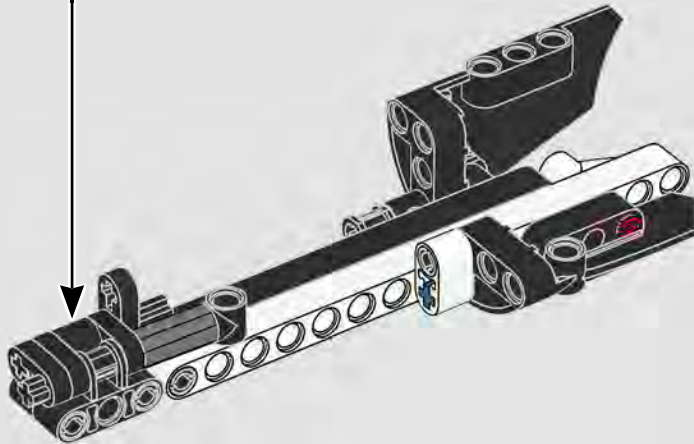


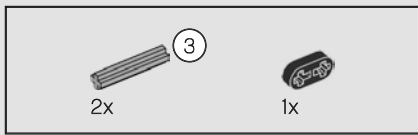


623

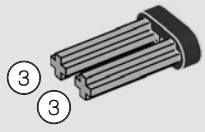


624





625

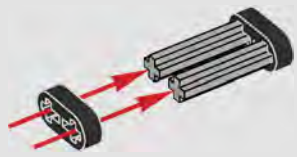


3

3

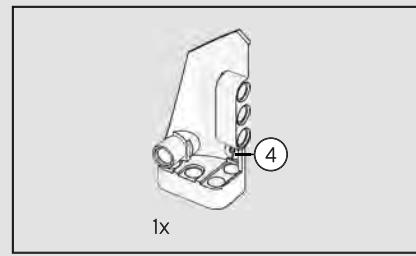


626

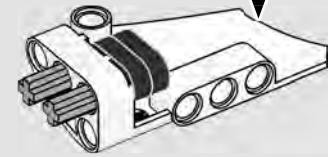
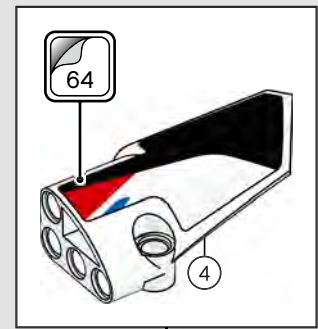


3

3

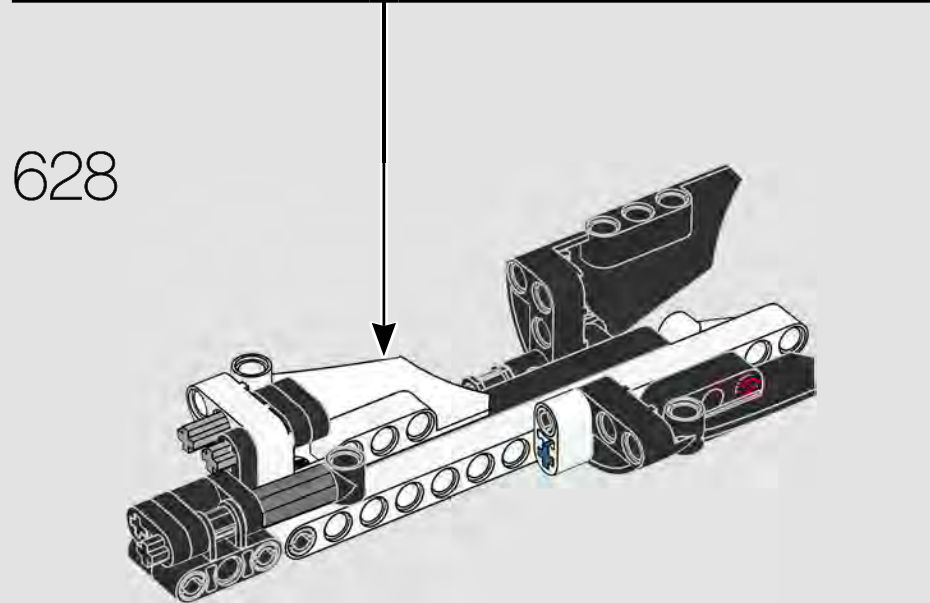


627

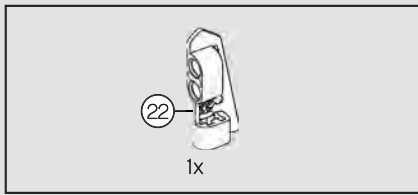


64

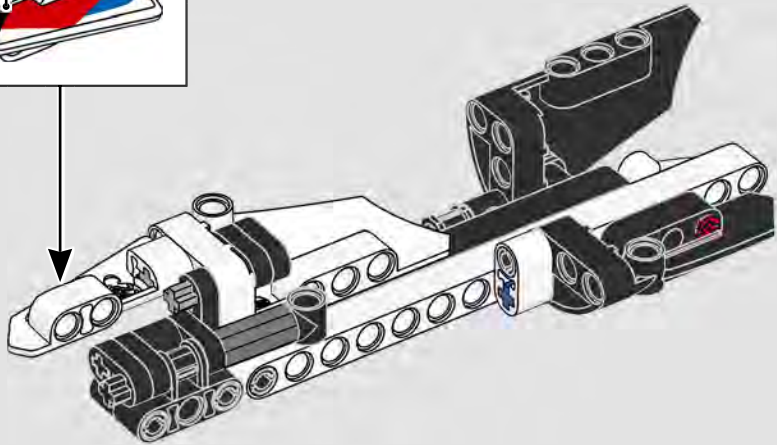
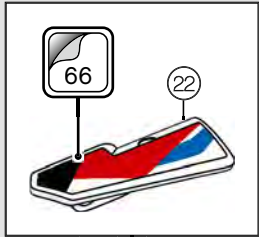
4



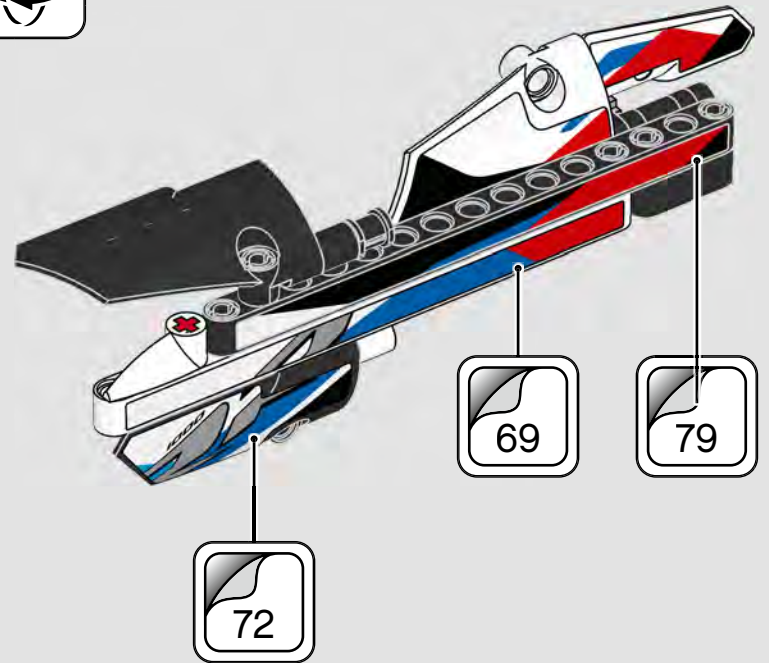
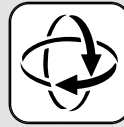
628

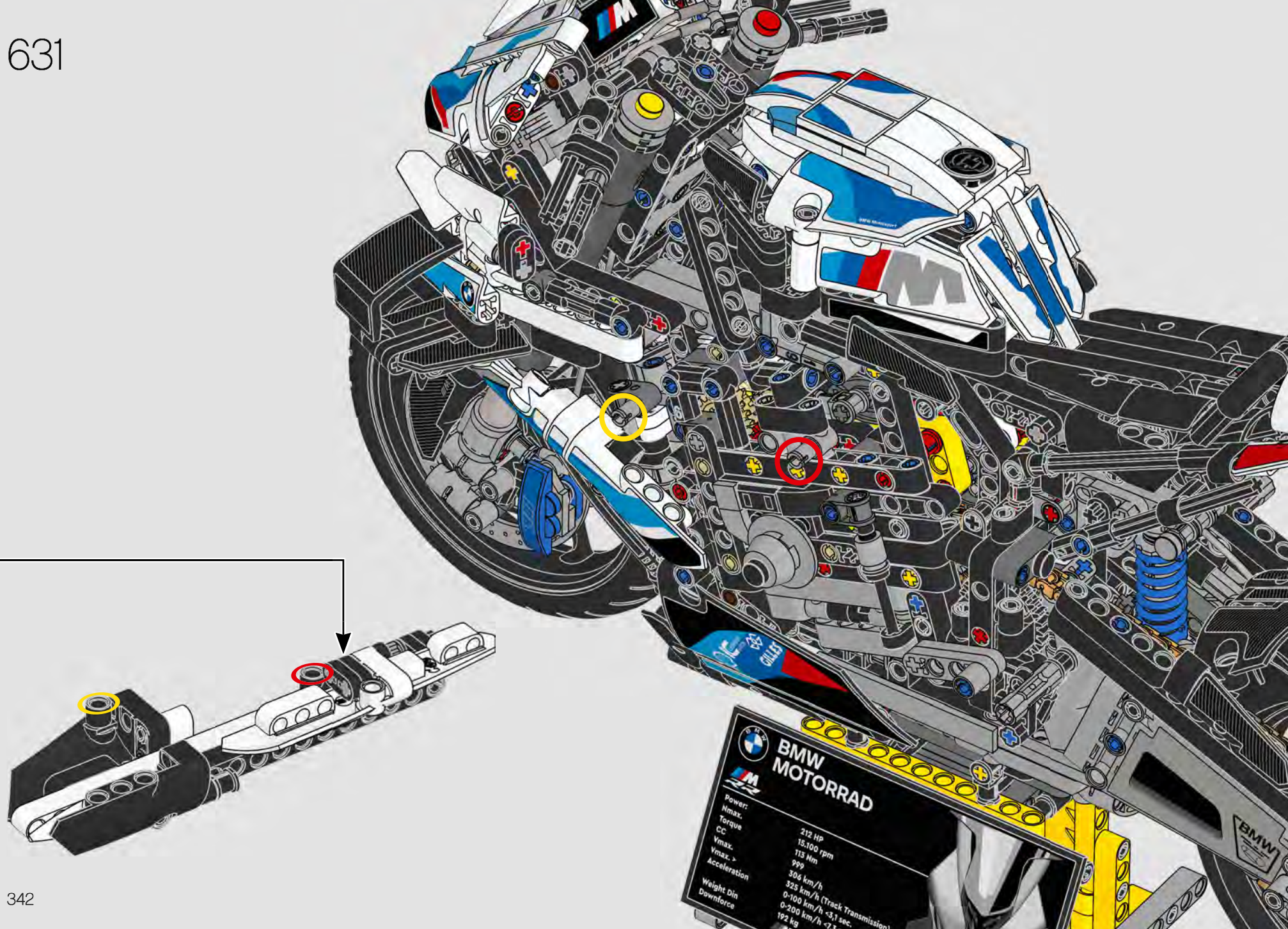


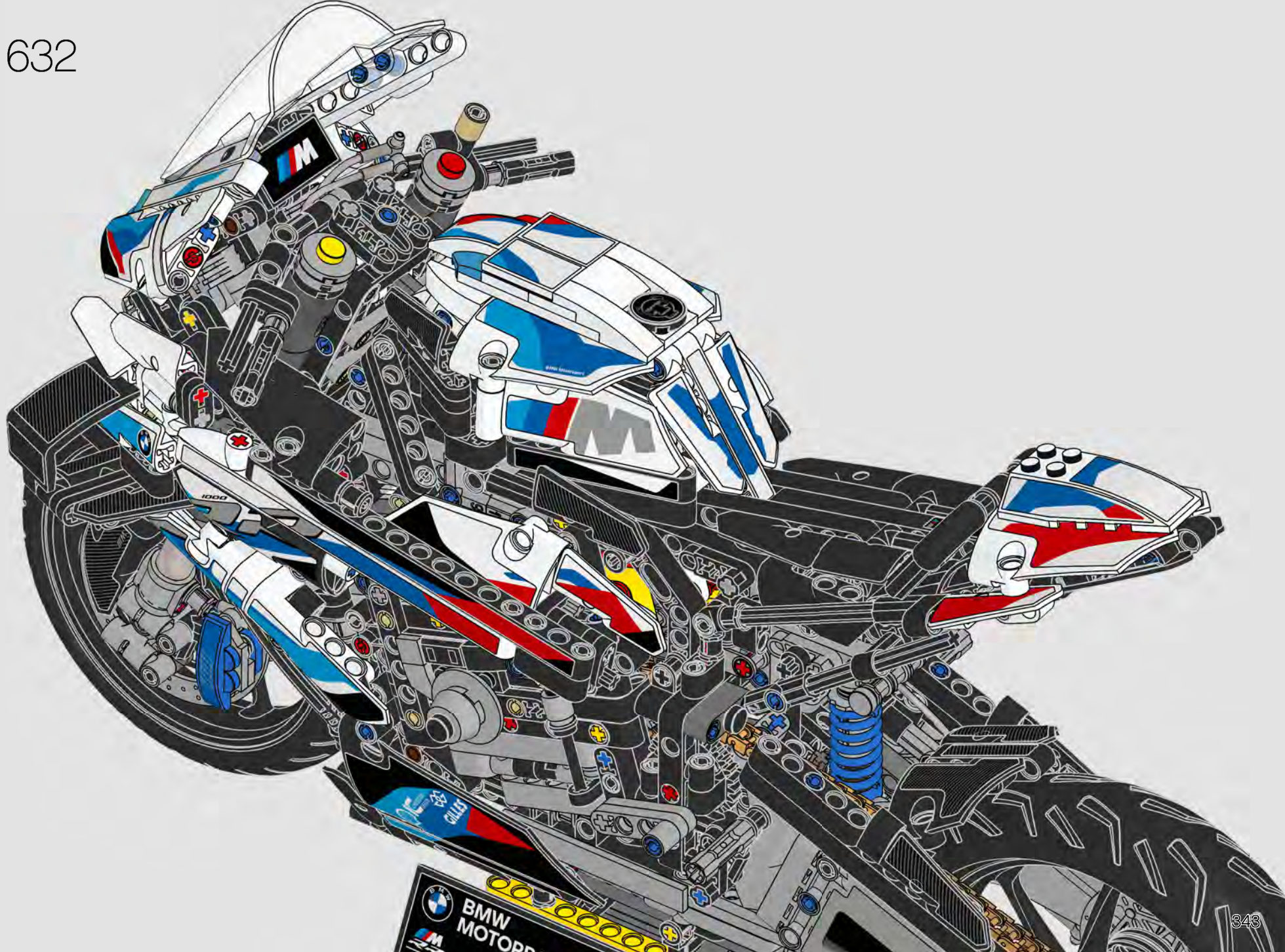
629

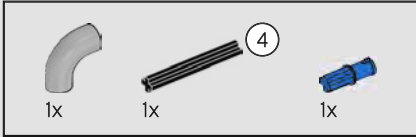
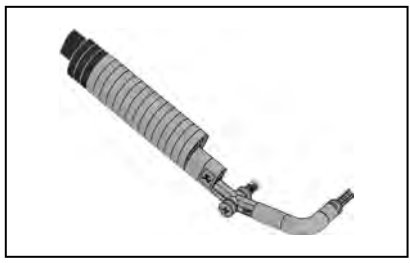


630

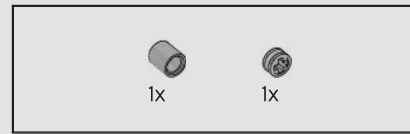
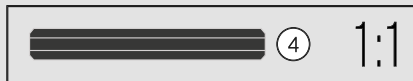
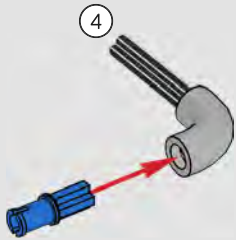




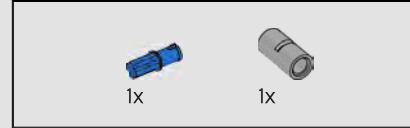
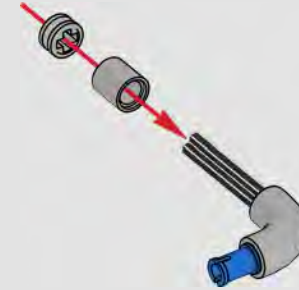




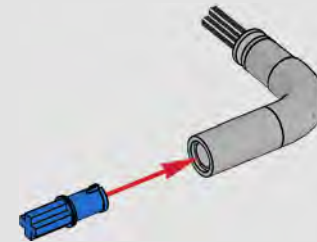
633

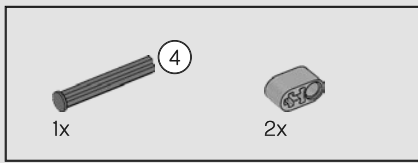


634

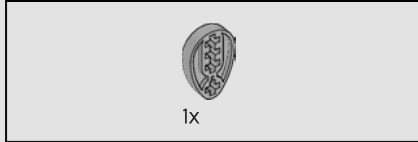
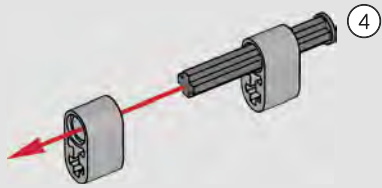


635

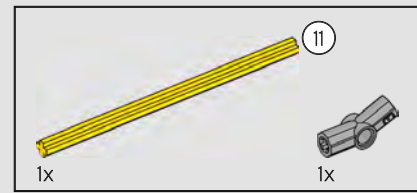
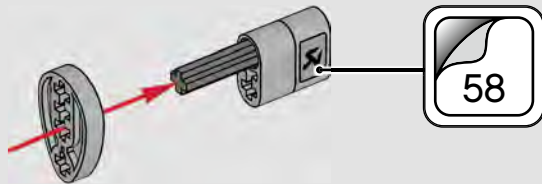




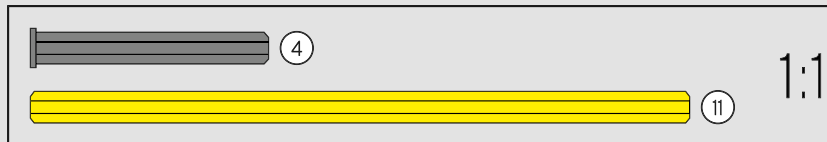
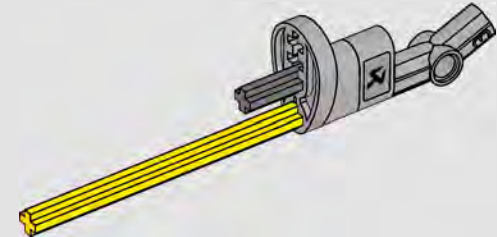
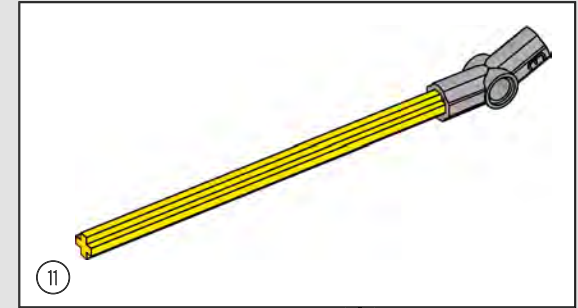
636



637



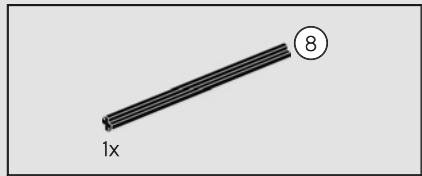
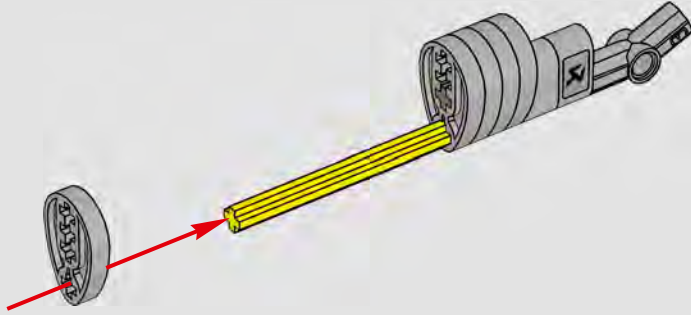
638





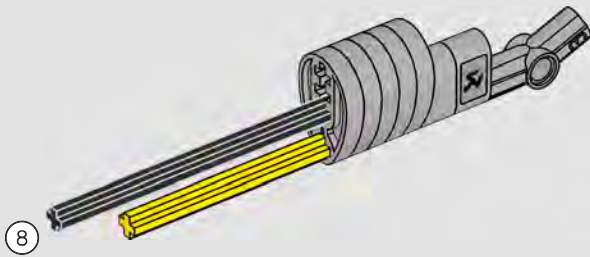
4x

639



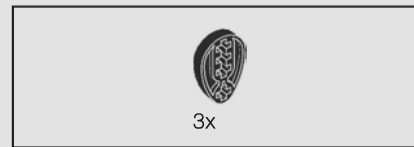
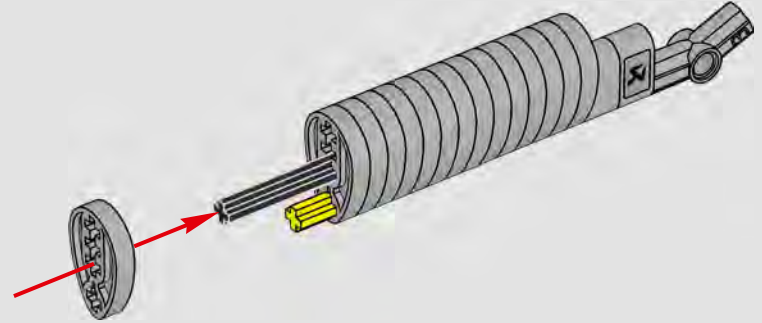
1x

640



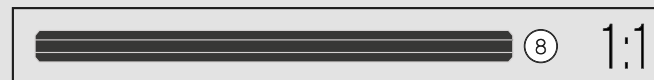
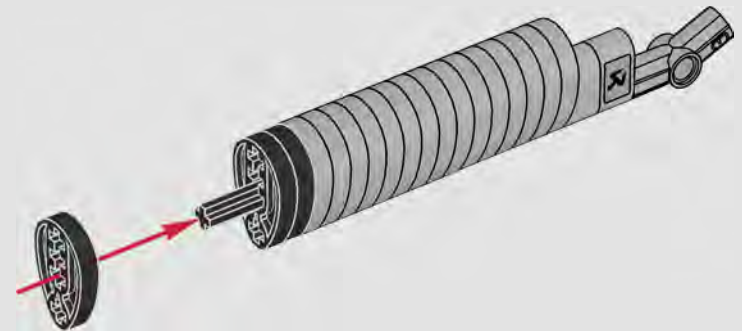
10x

641



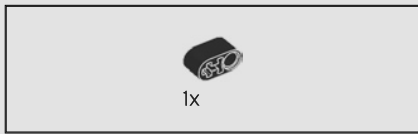
3x

642

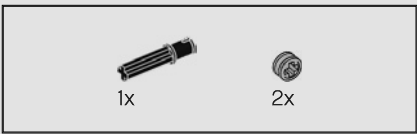
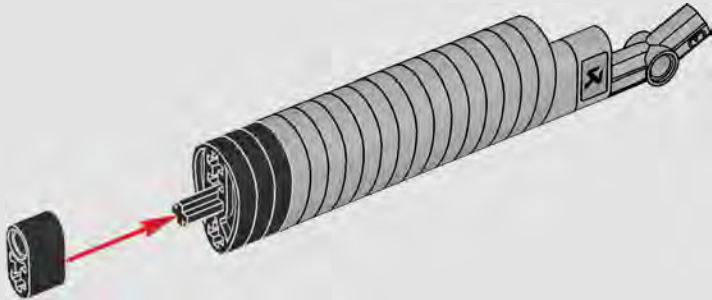


⑧

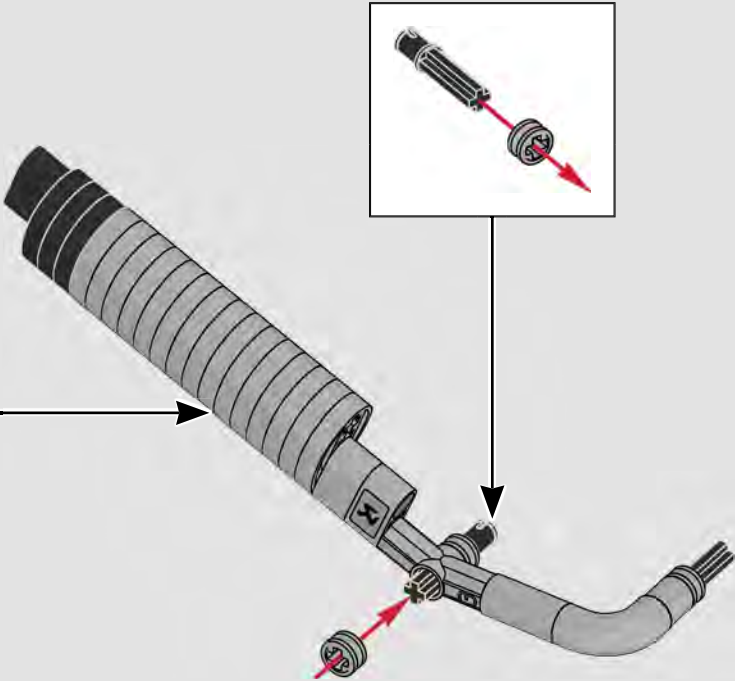
1:1



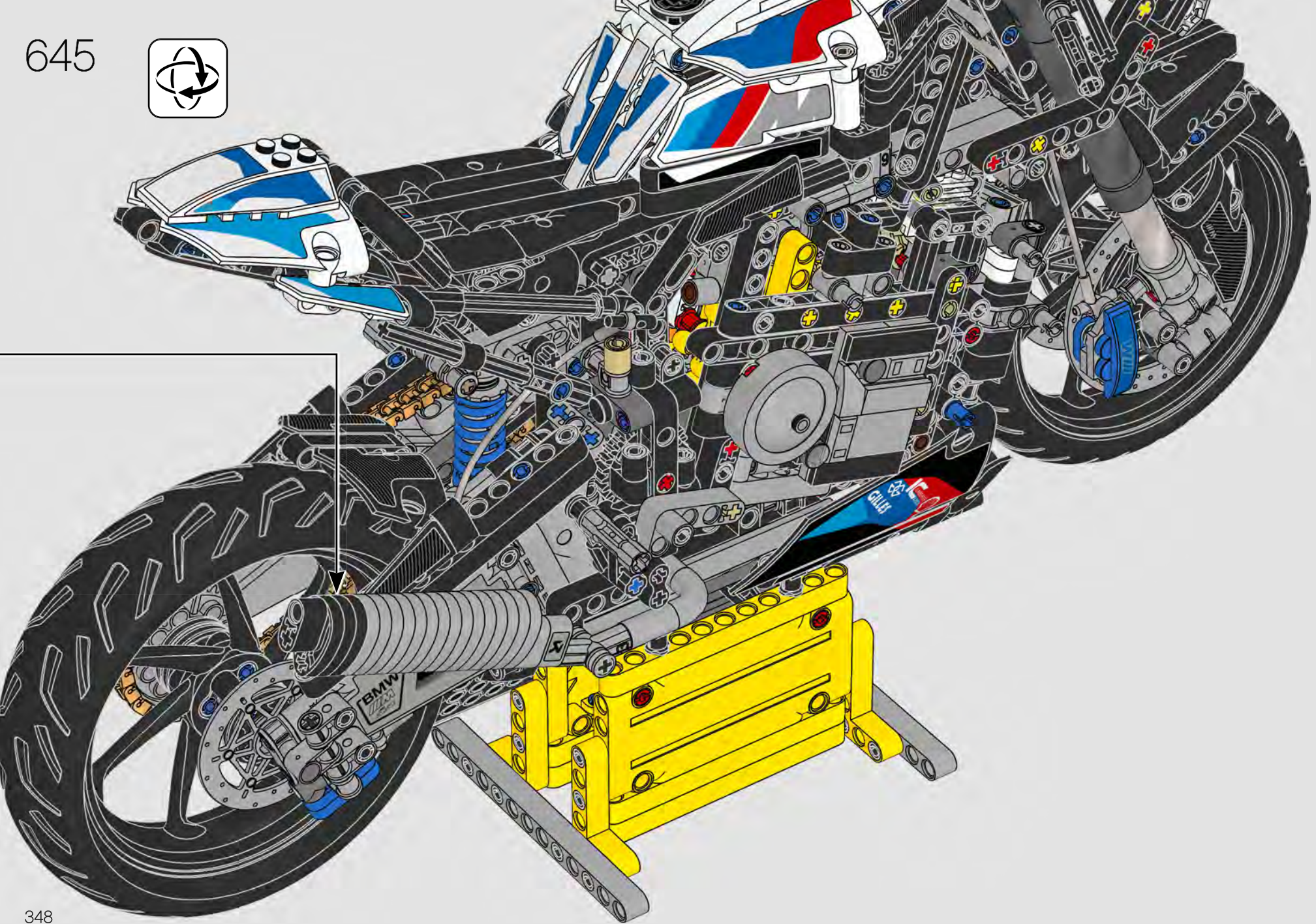
643

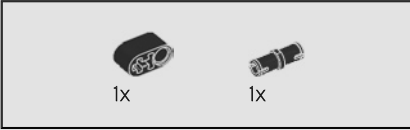


644

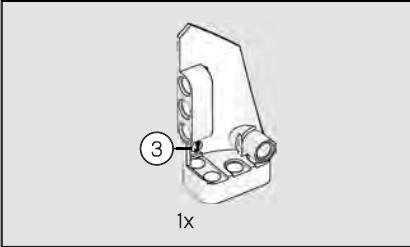


645

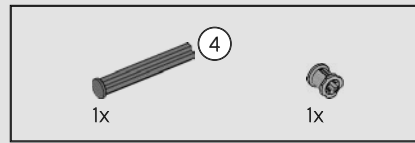
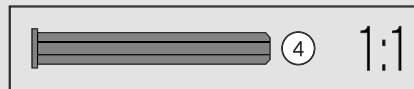
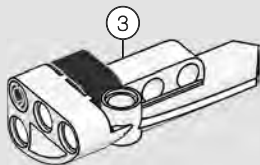




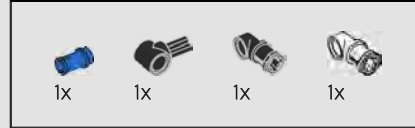
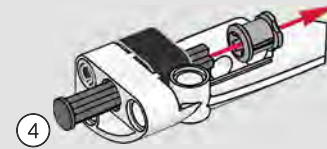
646



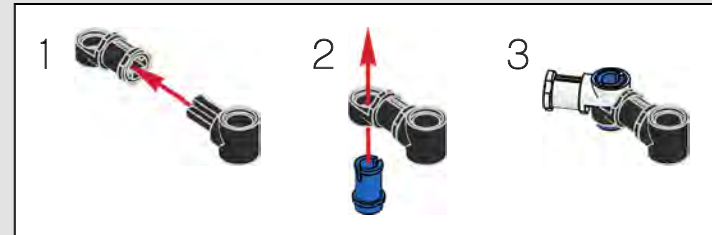
647

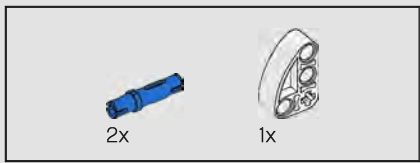


648

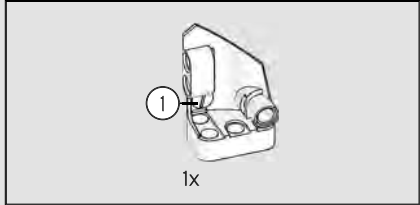
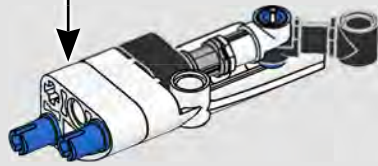
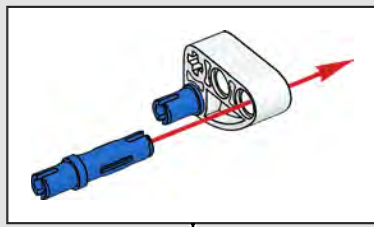


649

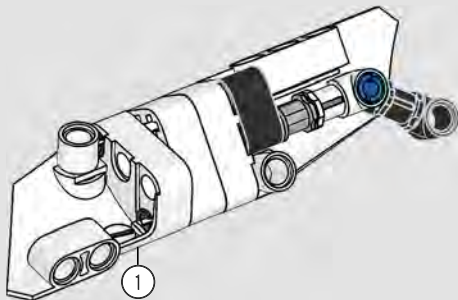




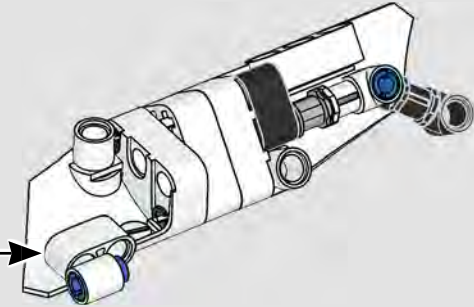
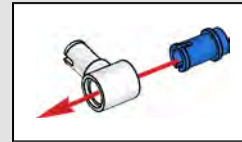
650



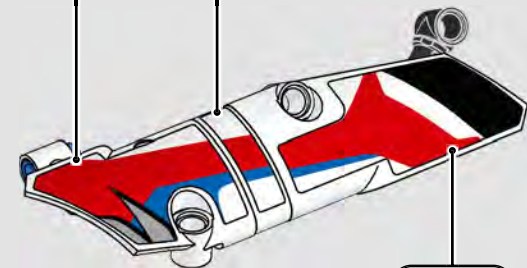
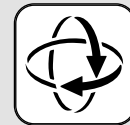
651

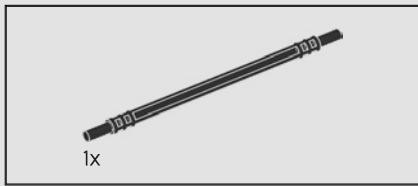


652

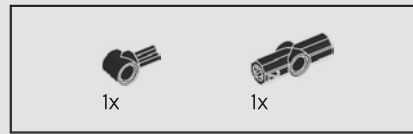
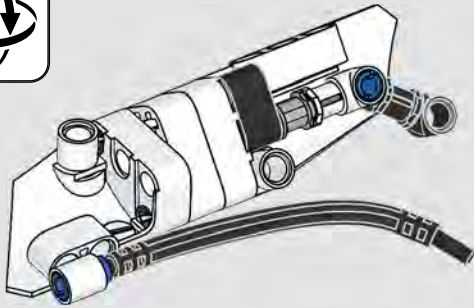


653

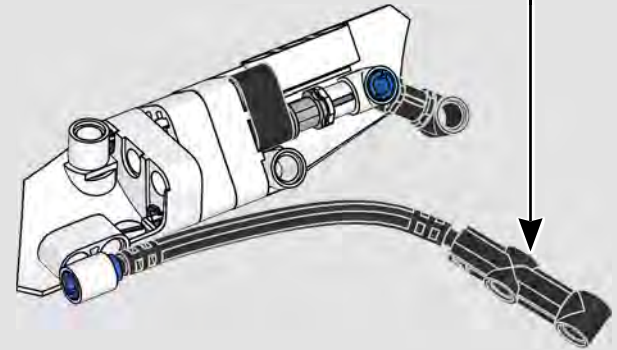
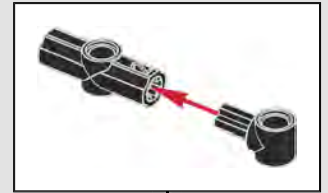


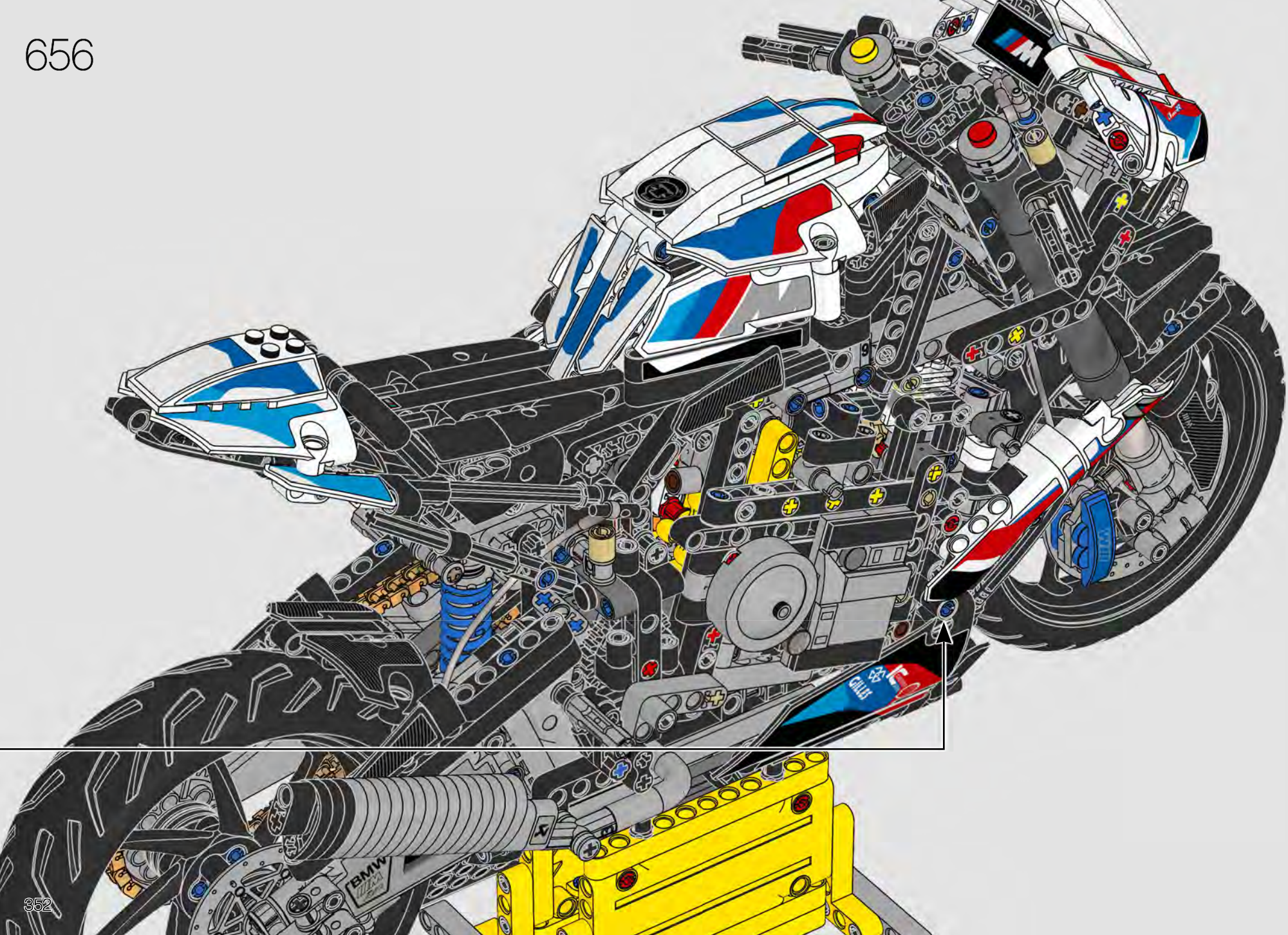


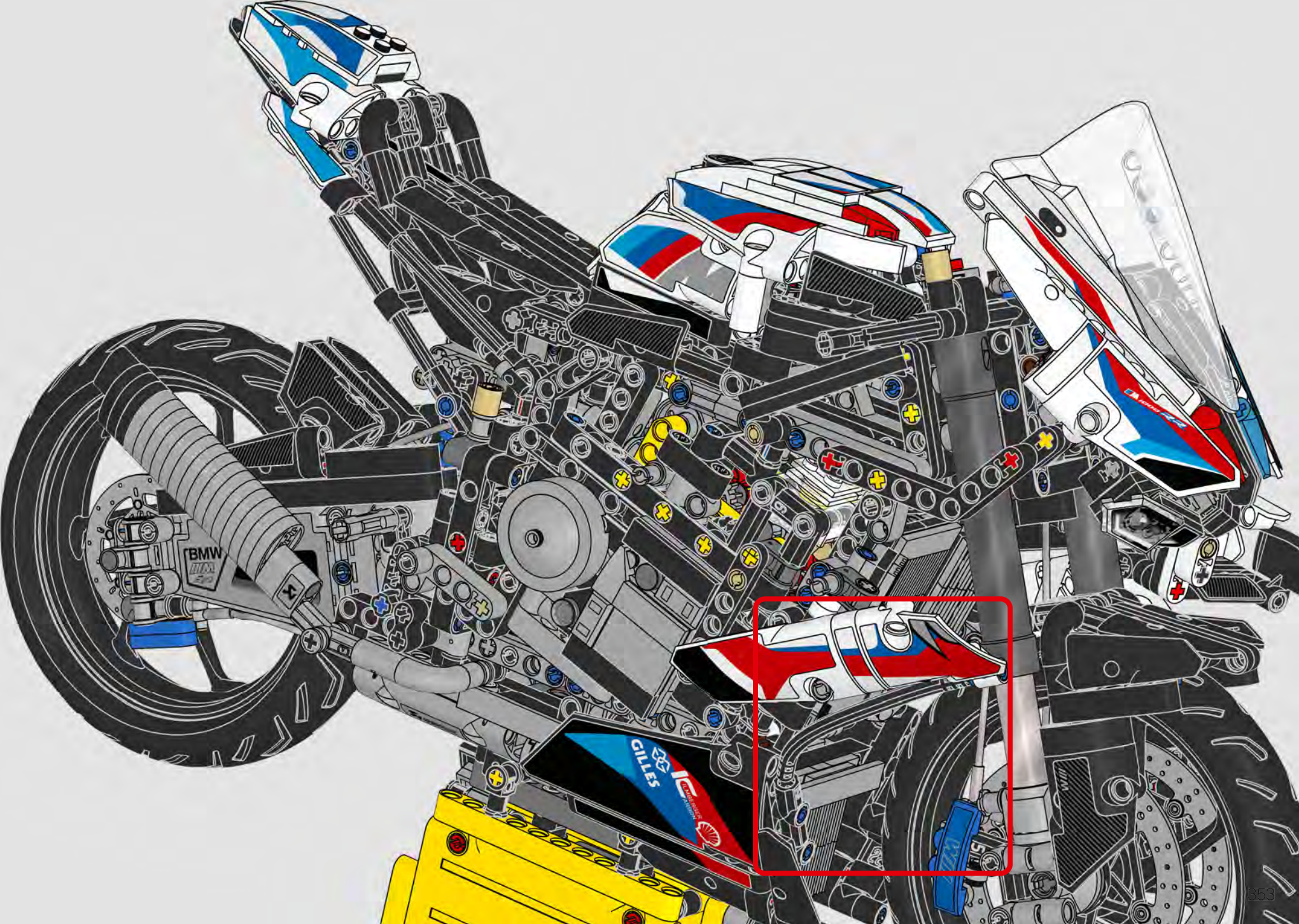
654



655

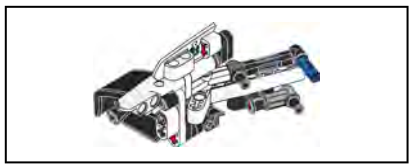




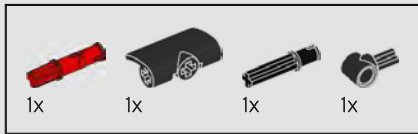


BMW

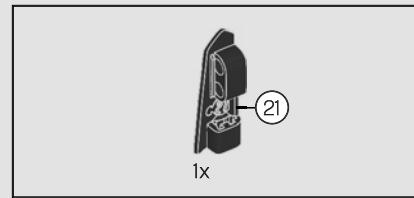
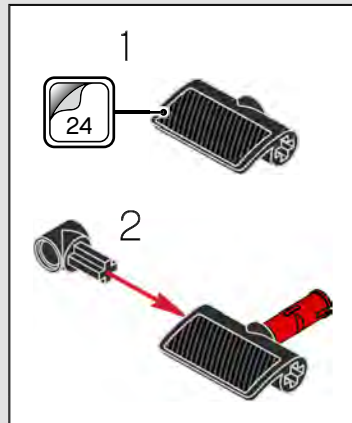
GILLES



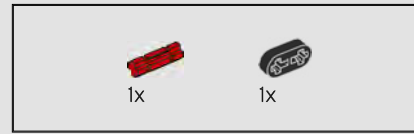
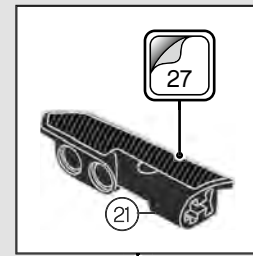
657



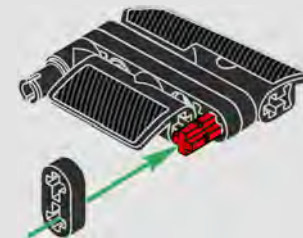
658

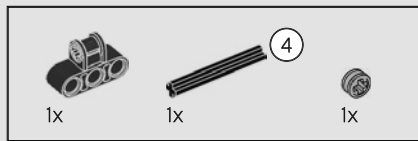


659

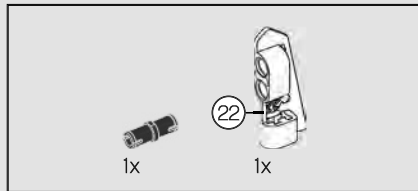
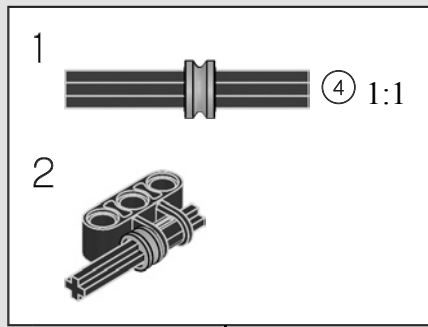


660

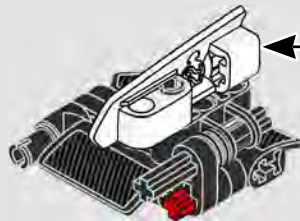
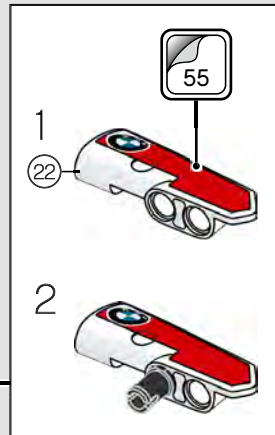




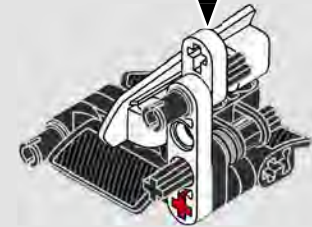
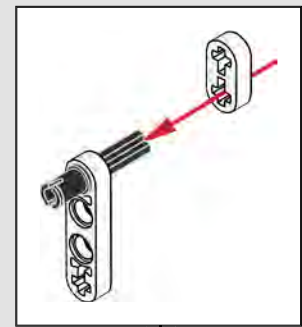
661



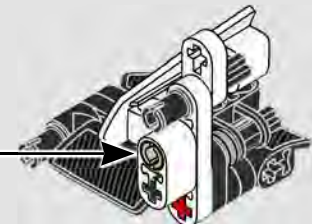
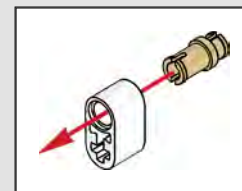
662

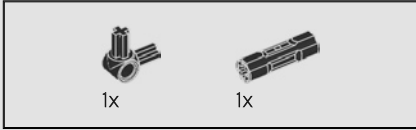


663



664

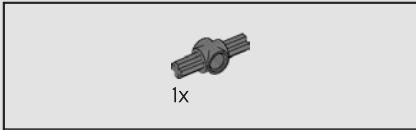




1x

1x

665



1x

666



1x

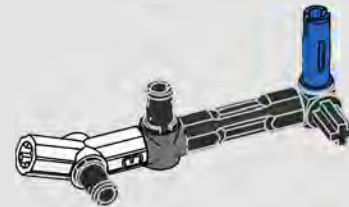
667

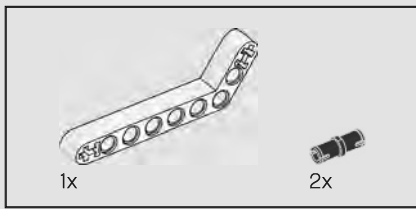


2x

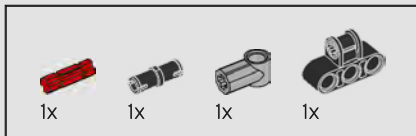
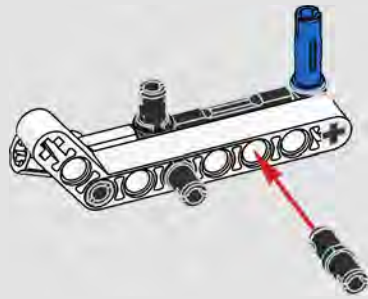
1x

668

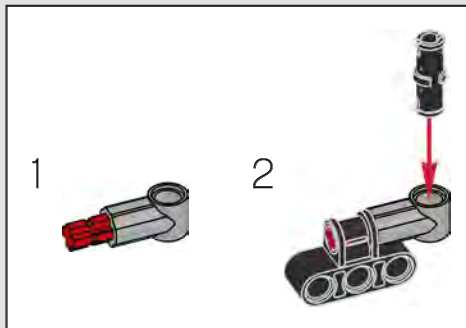




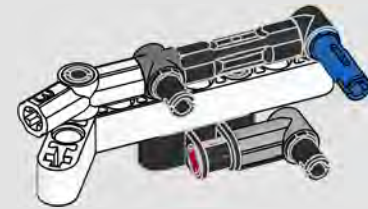
669



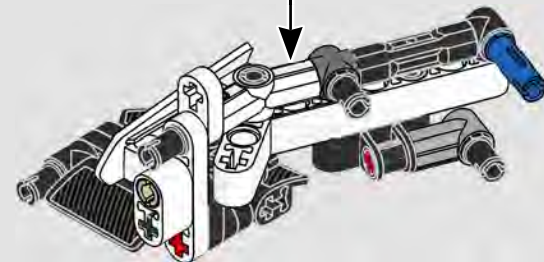
670



671

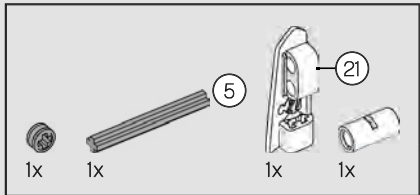
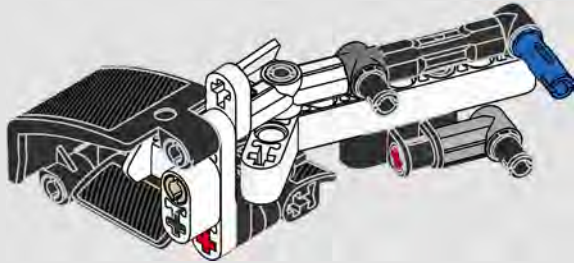
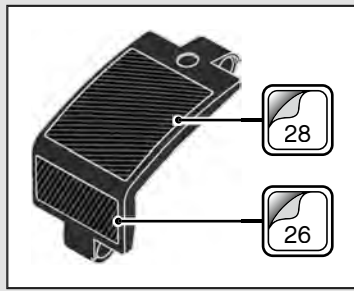


672

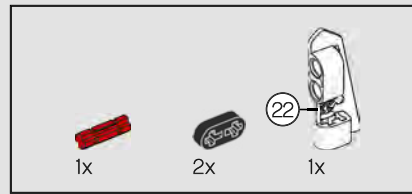
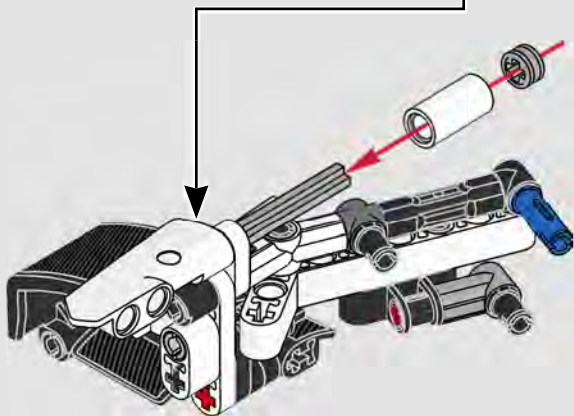
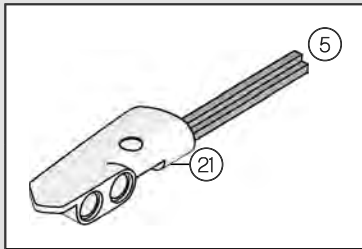




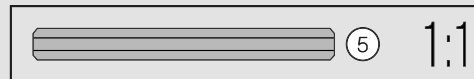
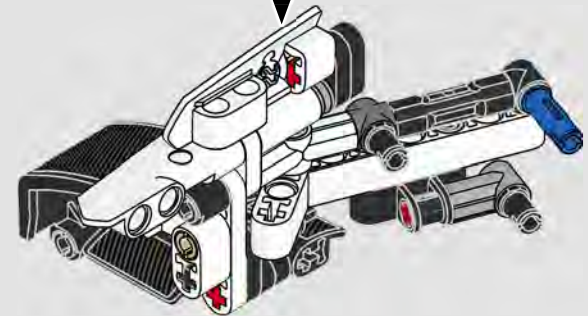
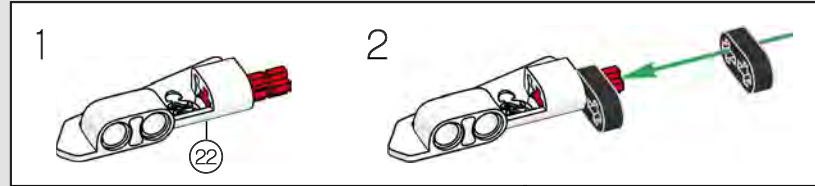
673



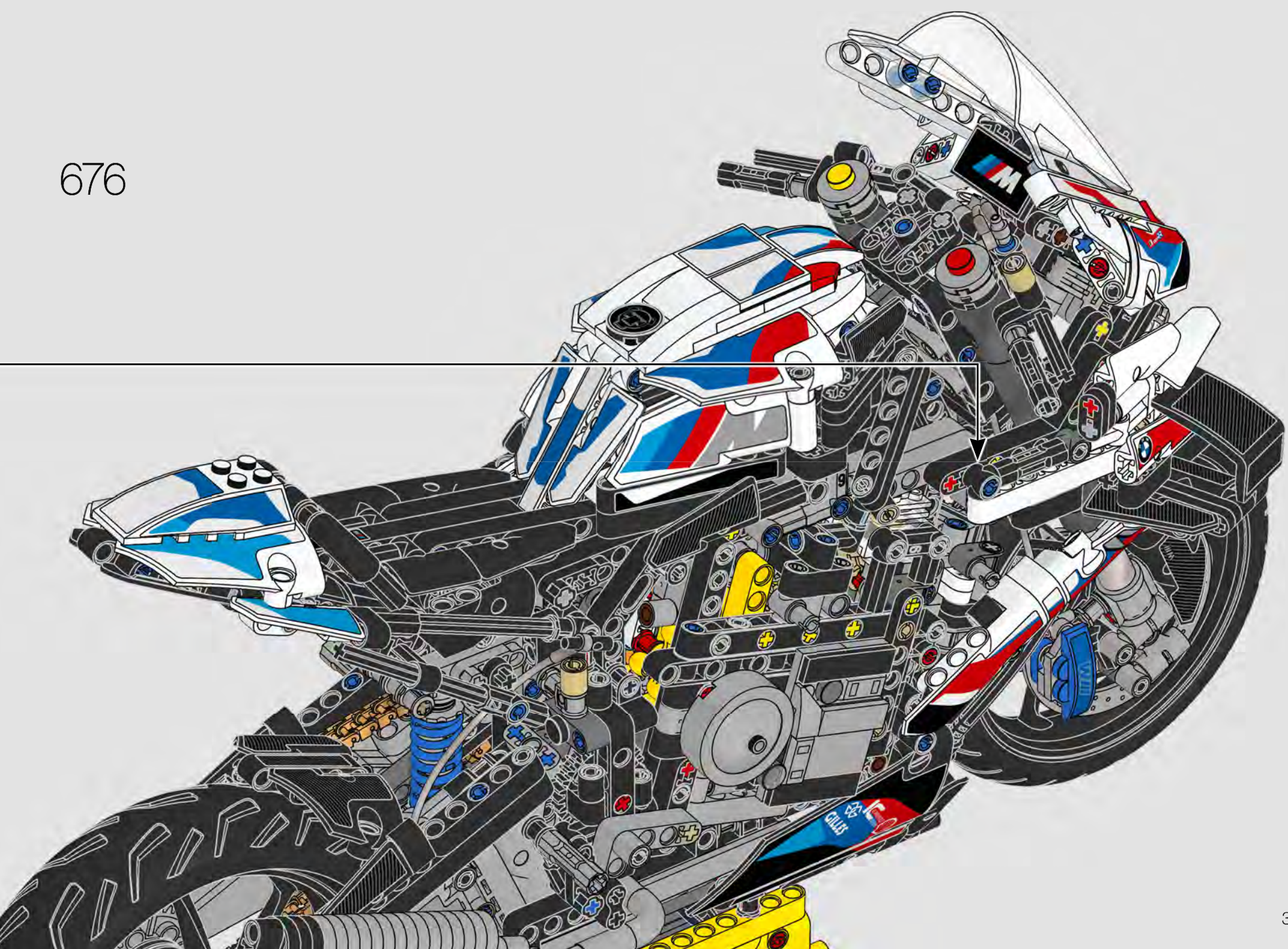
674

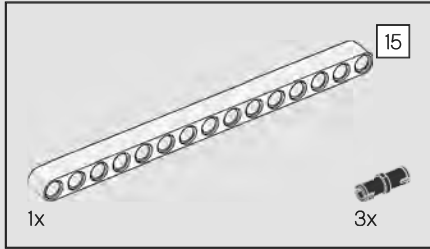
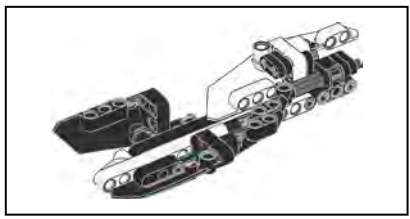


675

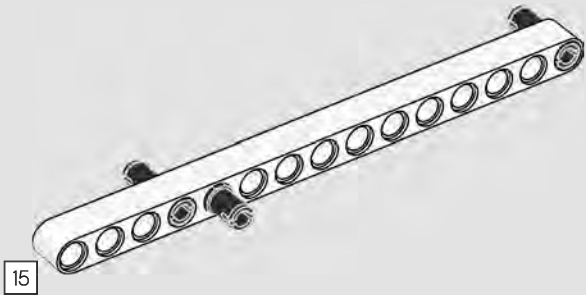


676

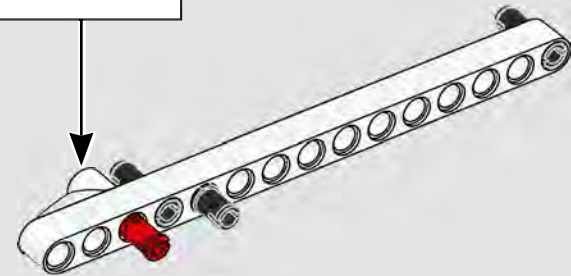


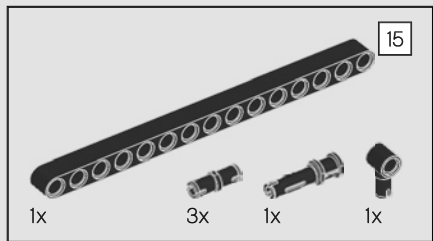


677



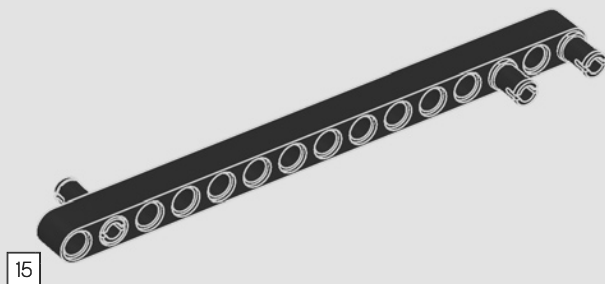
678



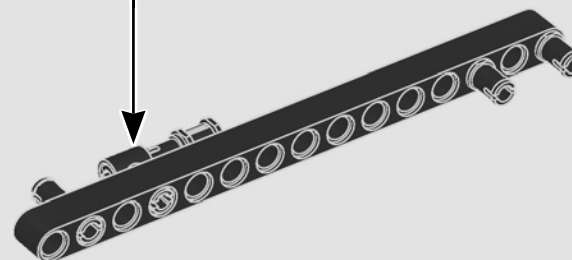


679

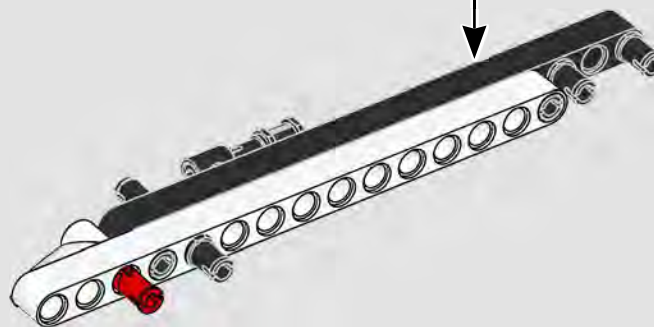
1

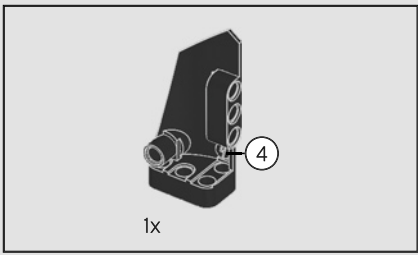


2

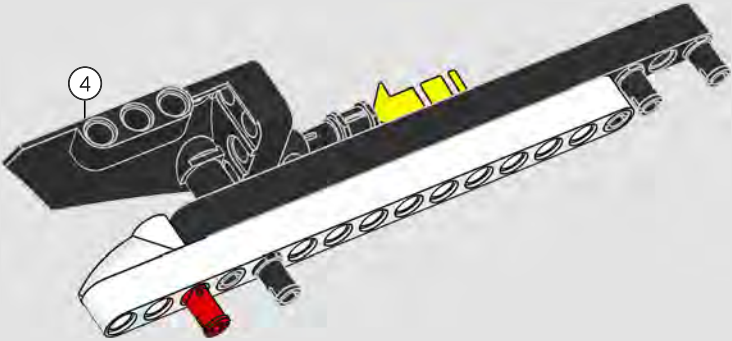


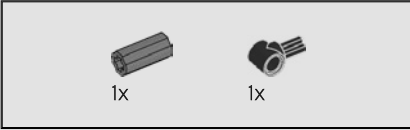
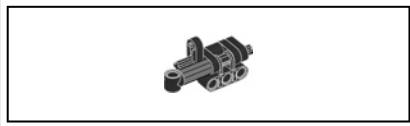
680



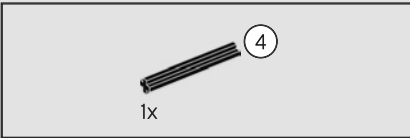
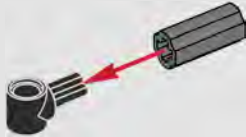


681

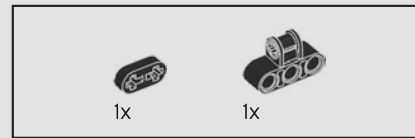
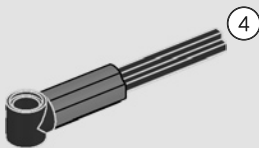
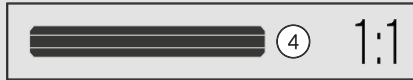




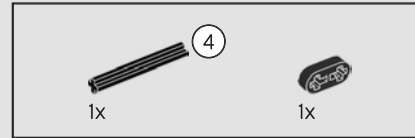
682



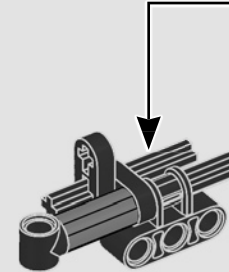
683



684

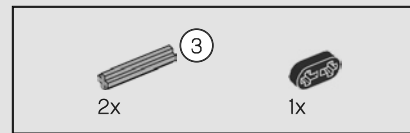
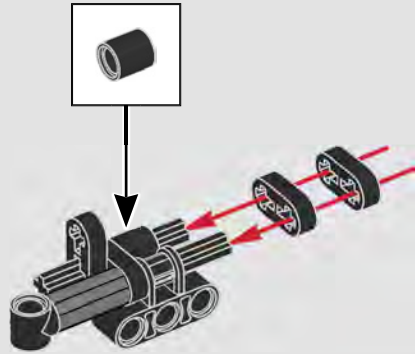


685

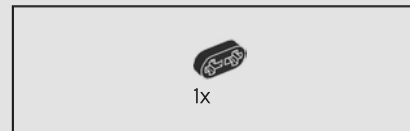
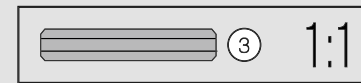
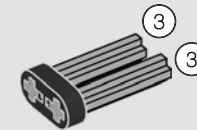




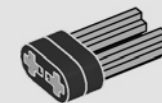
686



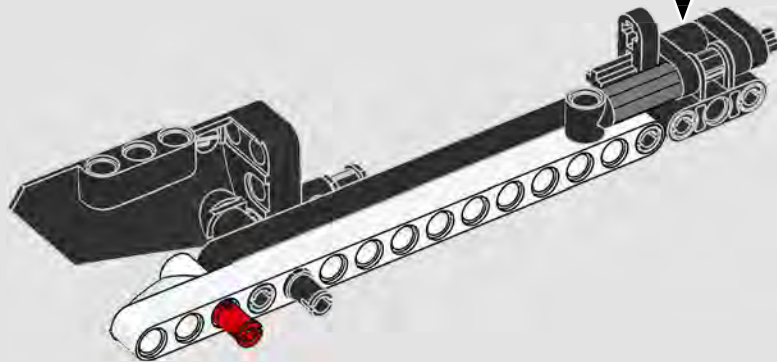
688

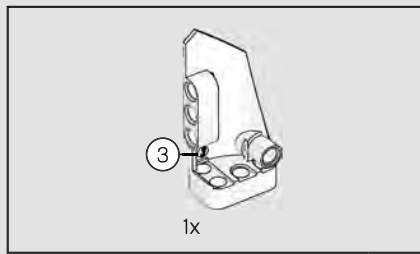


689

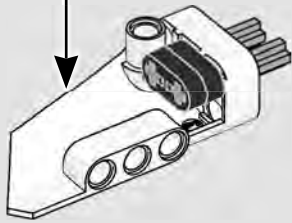
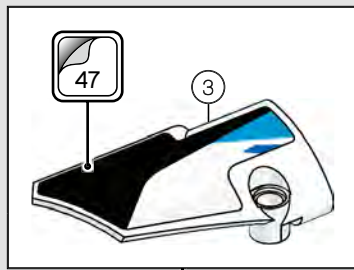


687

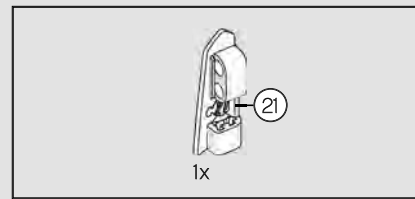
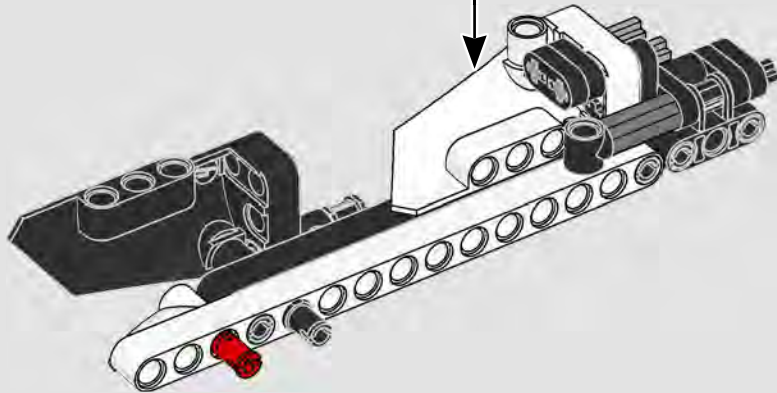




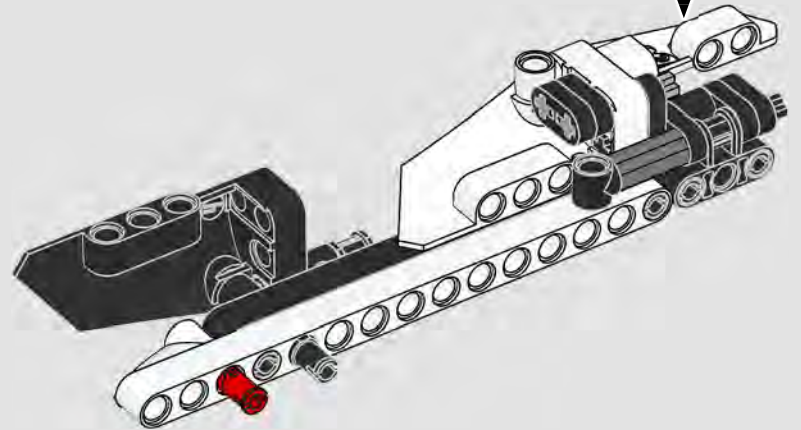
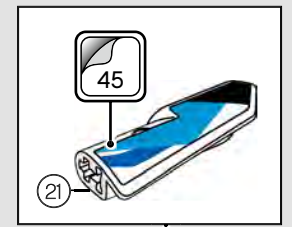
690

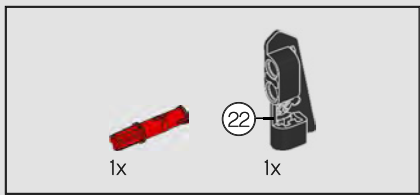


691



692

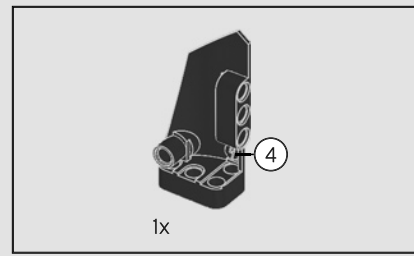
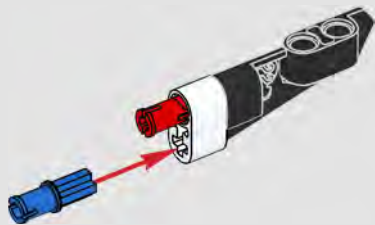




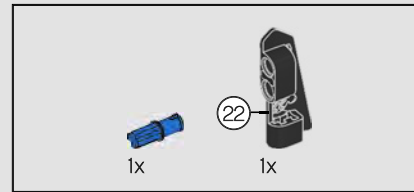
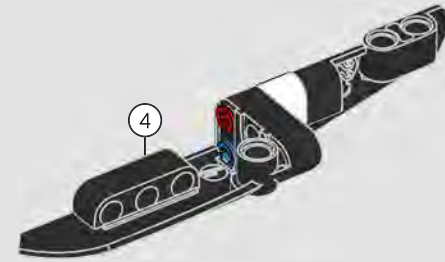
693



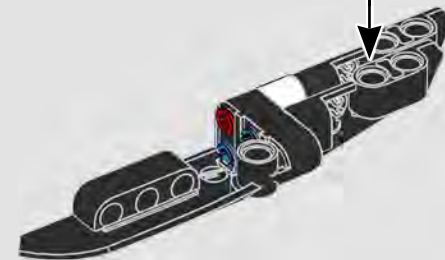
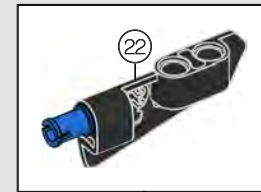
694



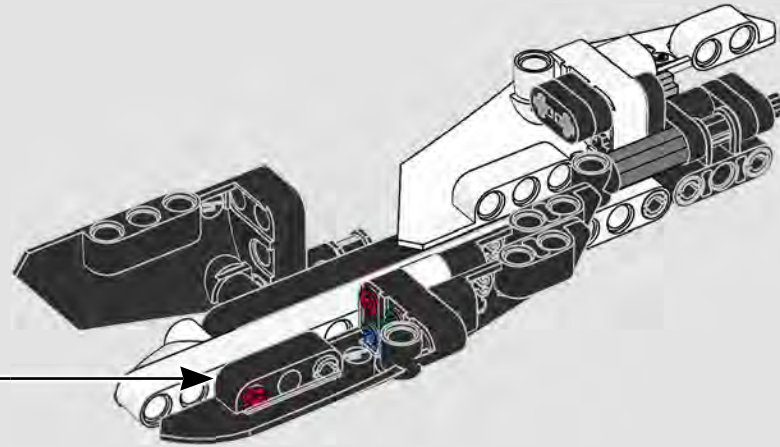
695



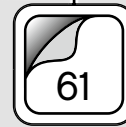
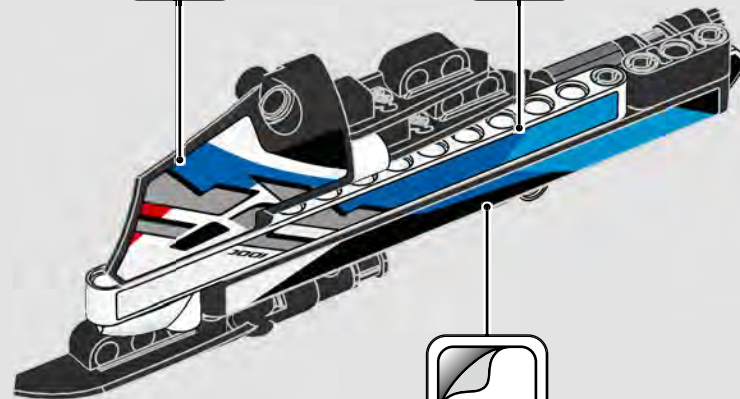
696

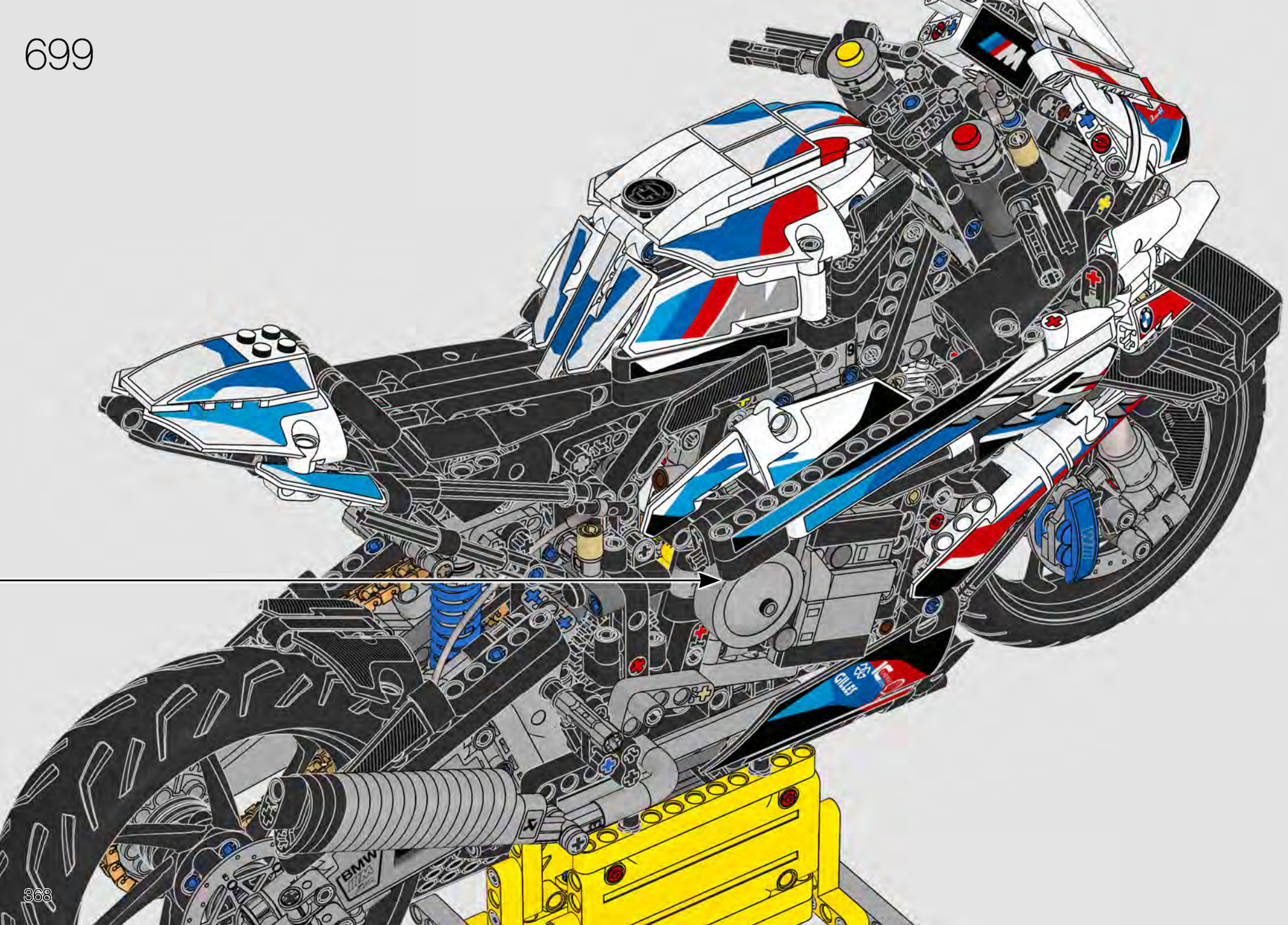


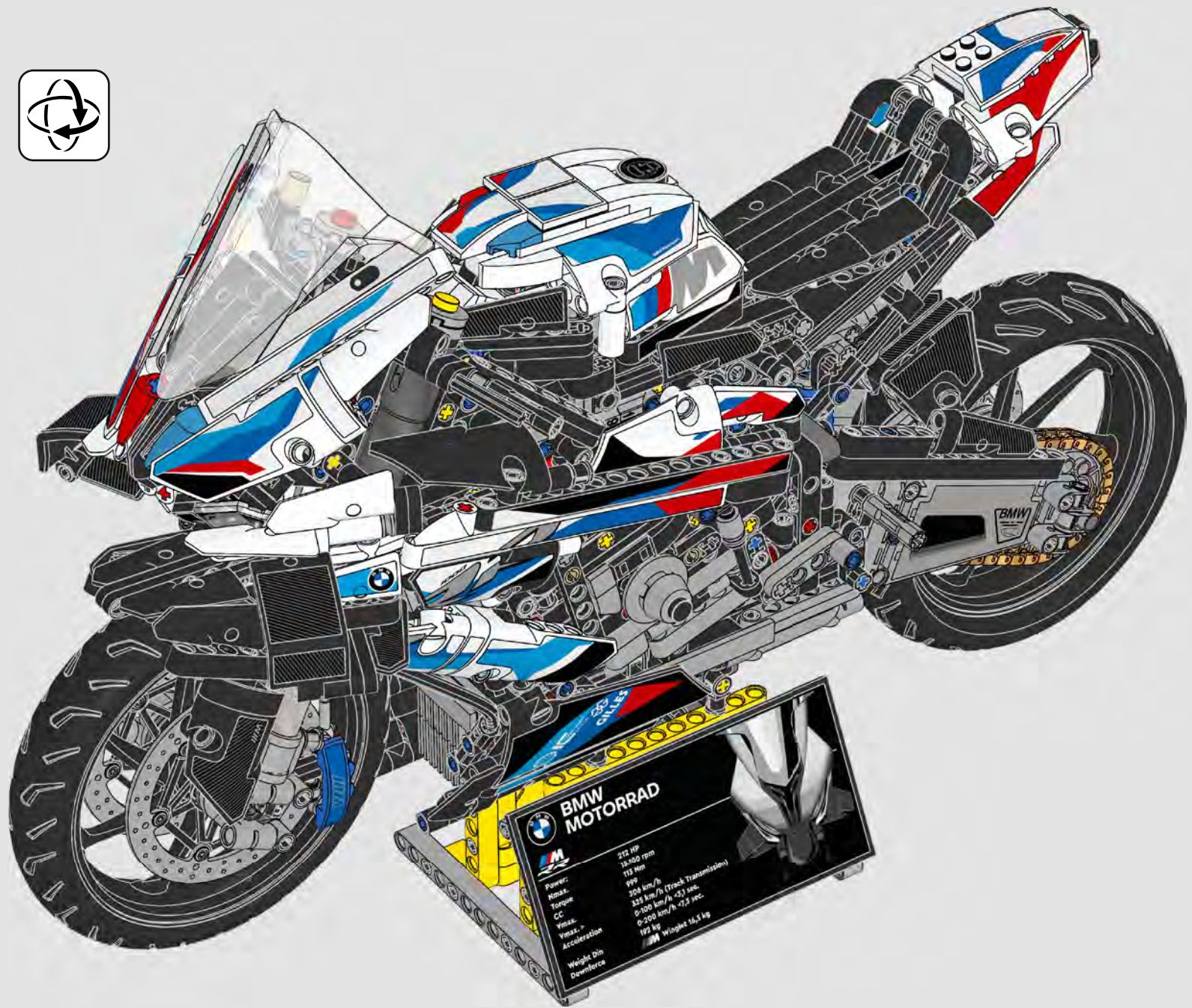
697

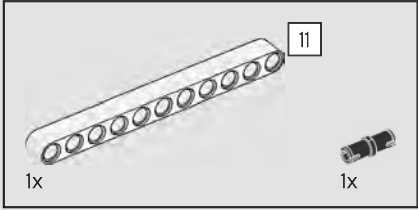
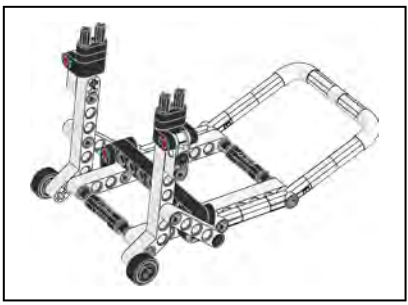


698

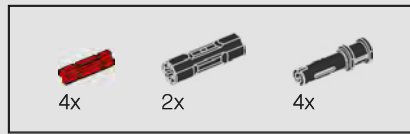
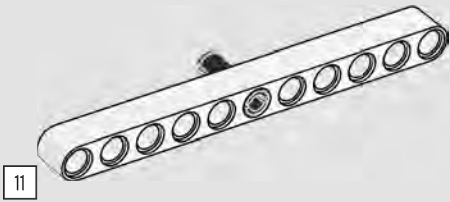




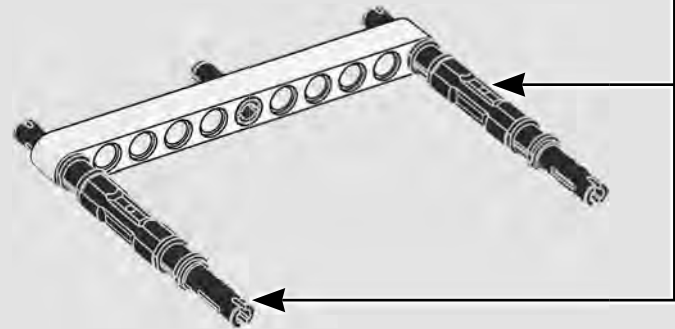
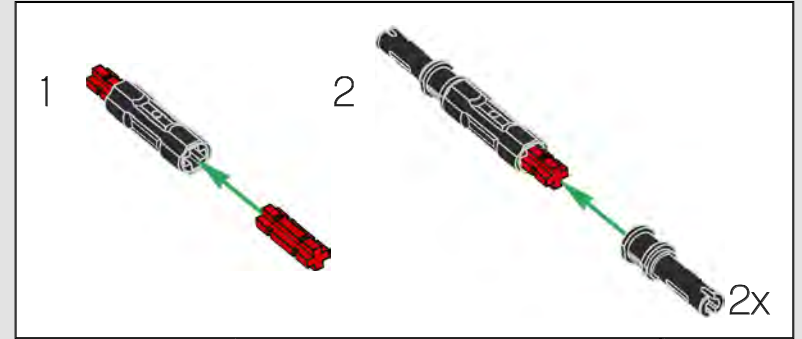


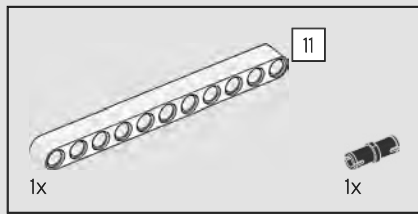


1

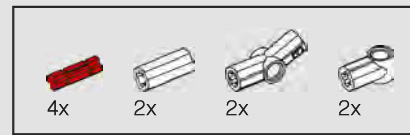
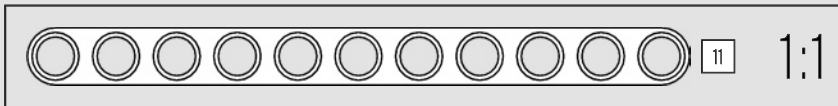
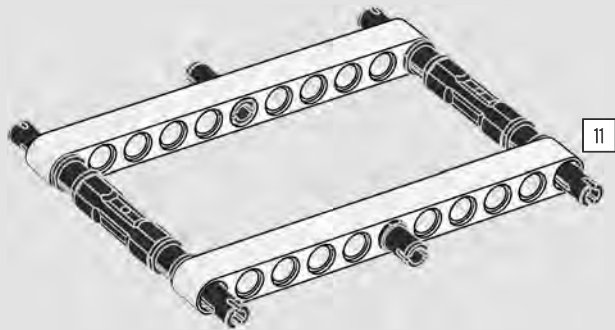


2

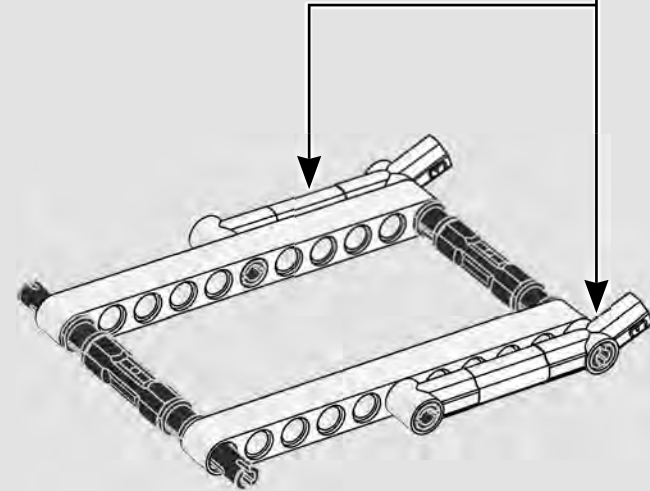
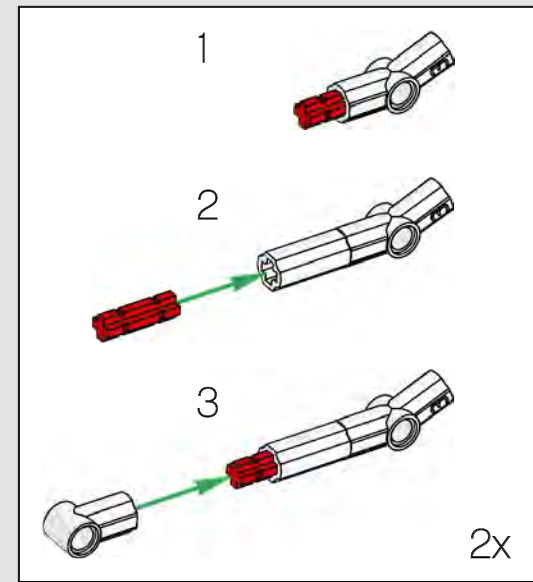




3

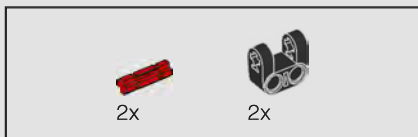
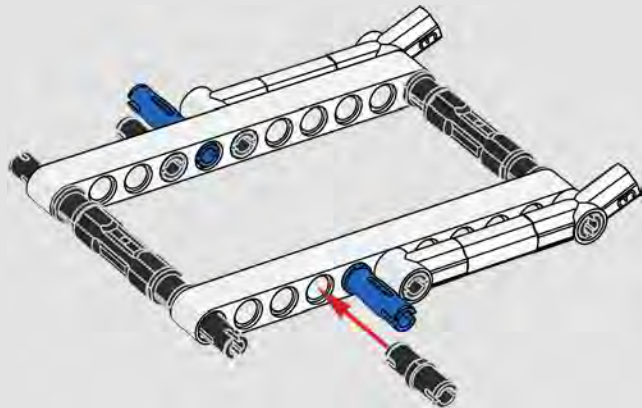


4

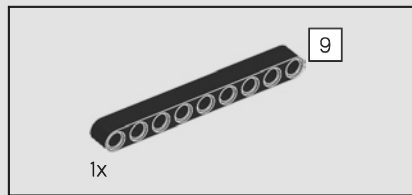
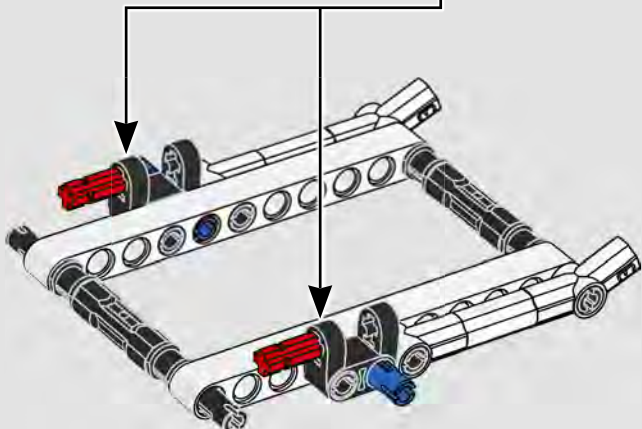
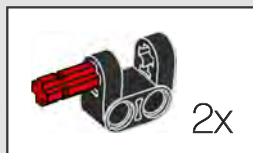




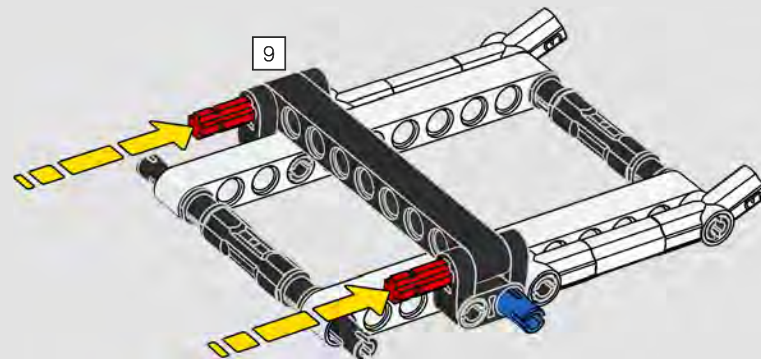
5

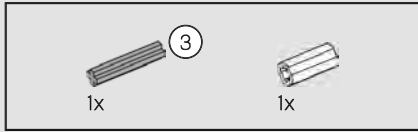
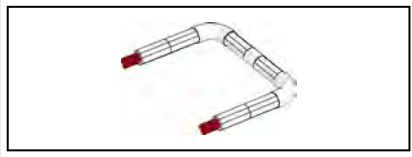


6

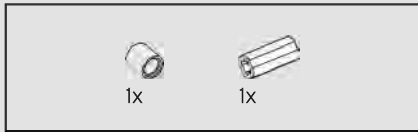
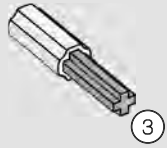


7

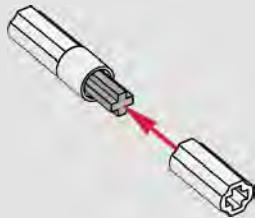




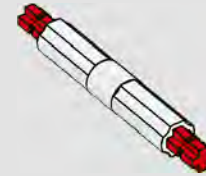
8



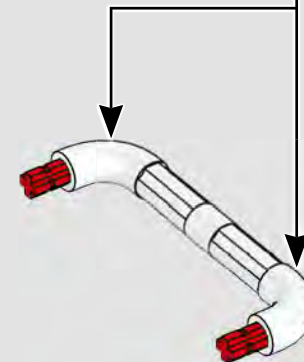
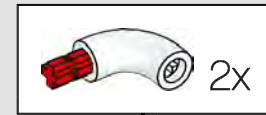
9



10

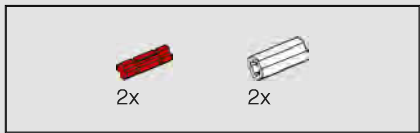
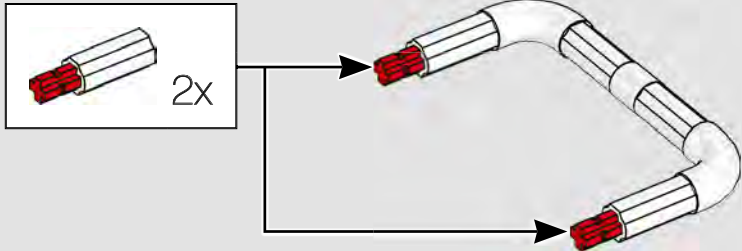


11

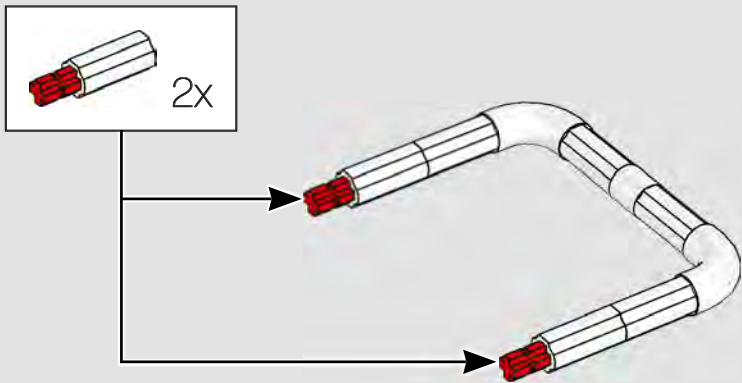




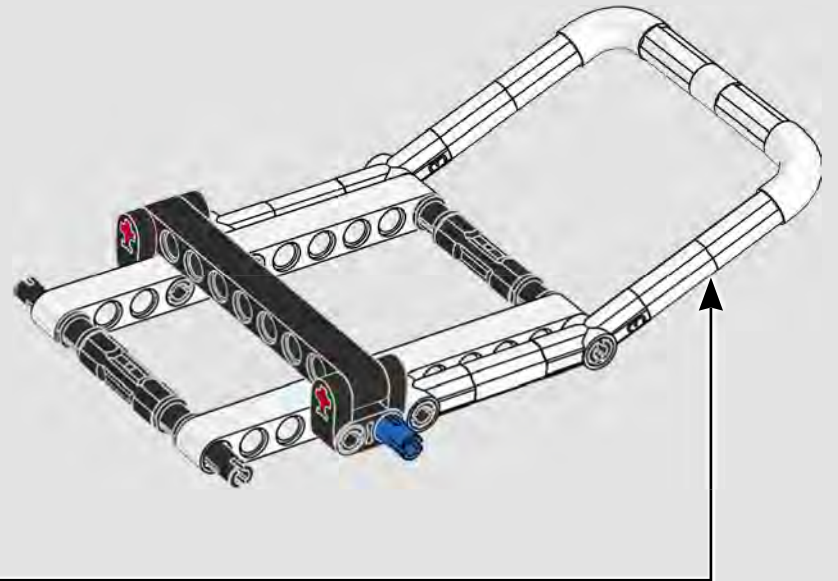
12

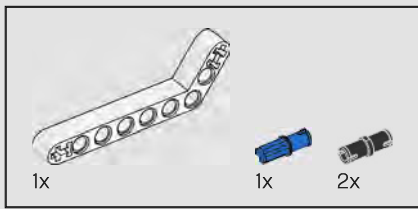


13

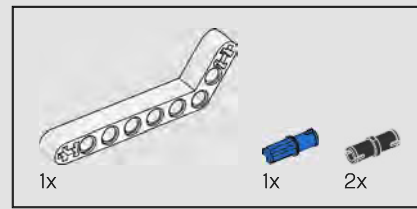
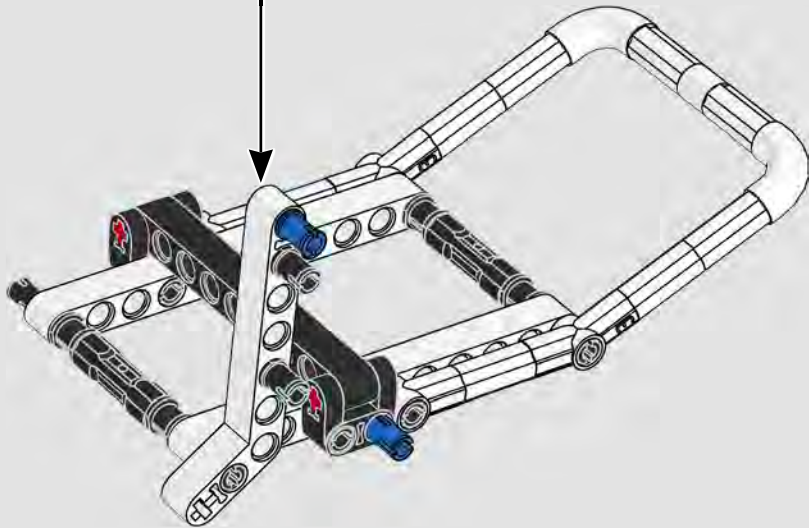
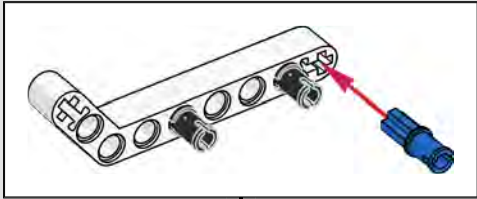


14

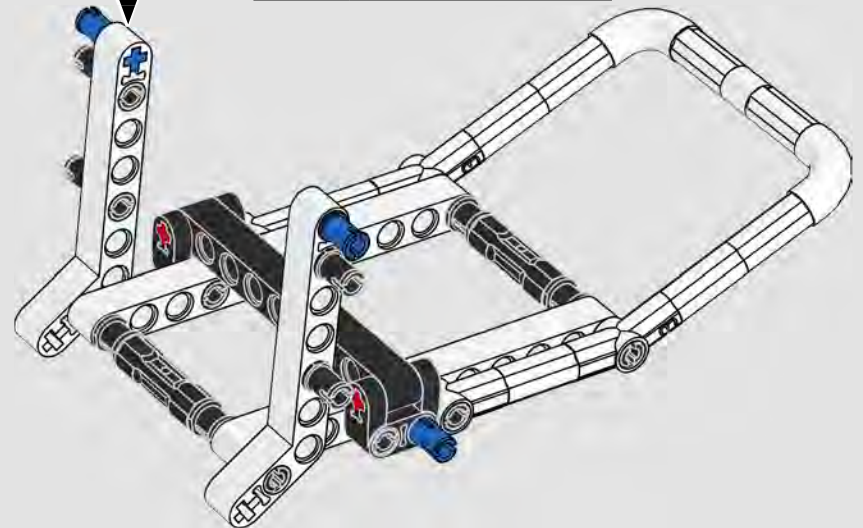
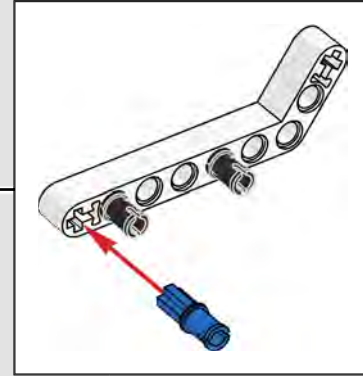


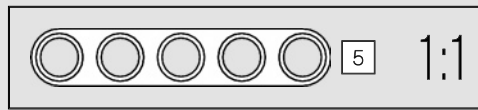
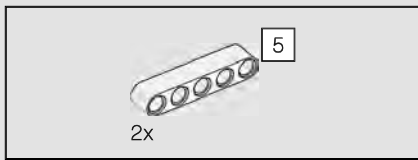


15

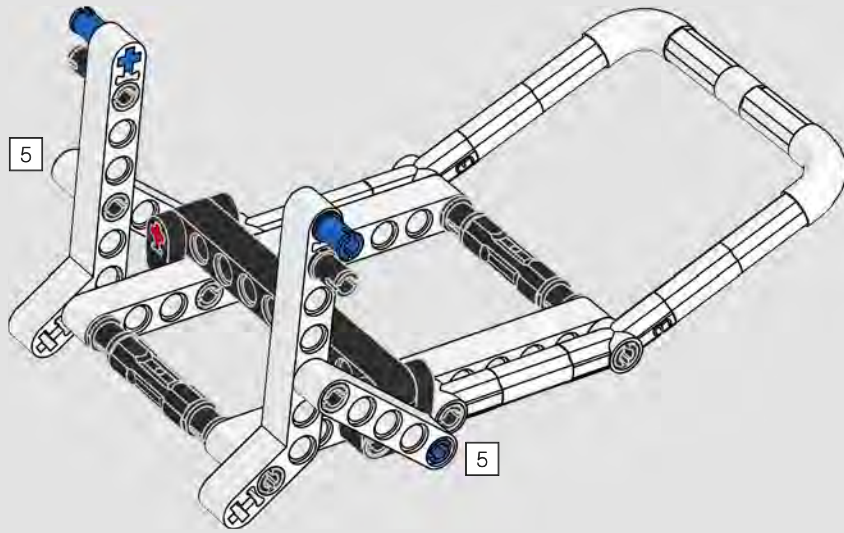


16

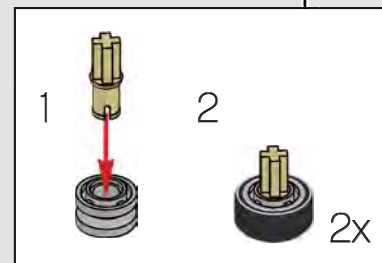
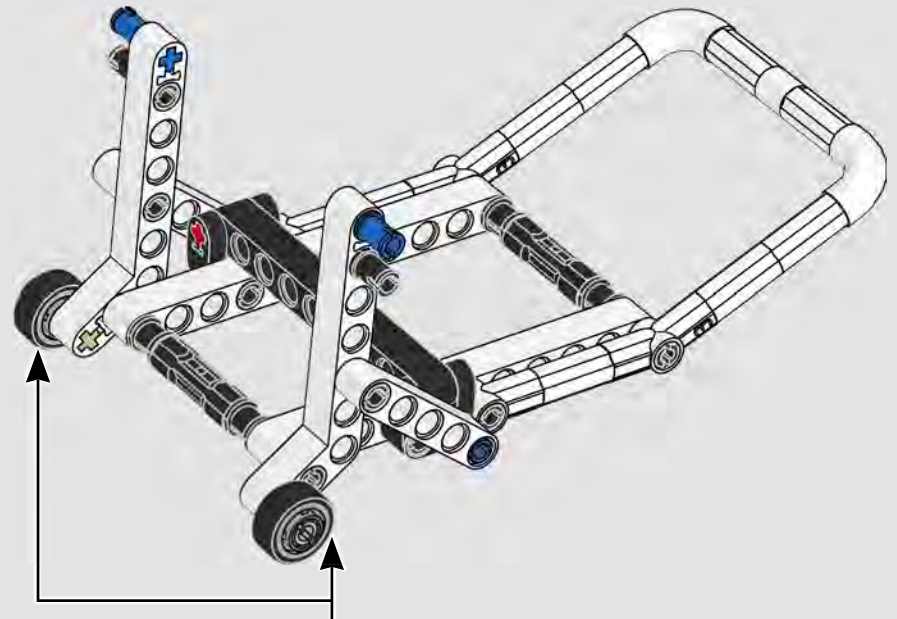




17

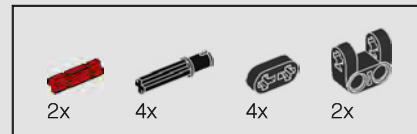
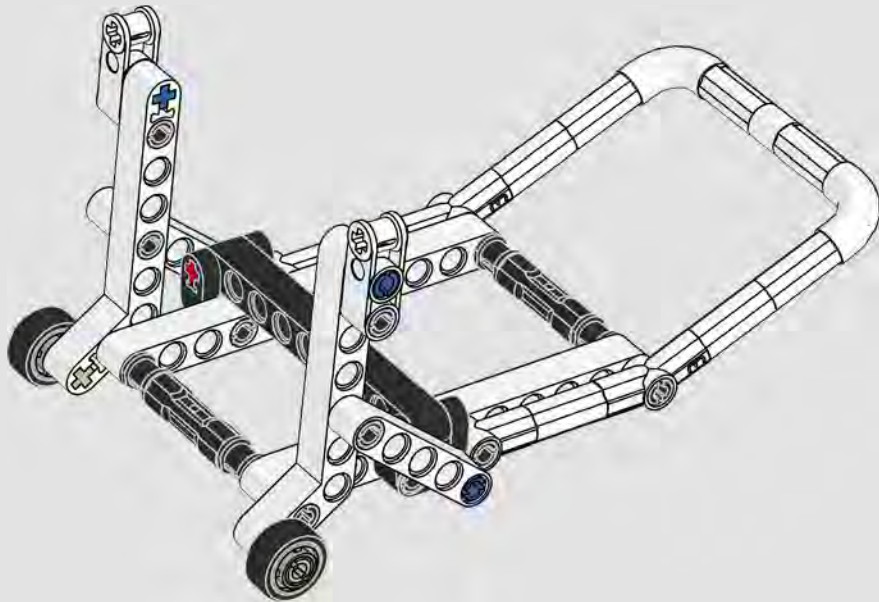


18

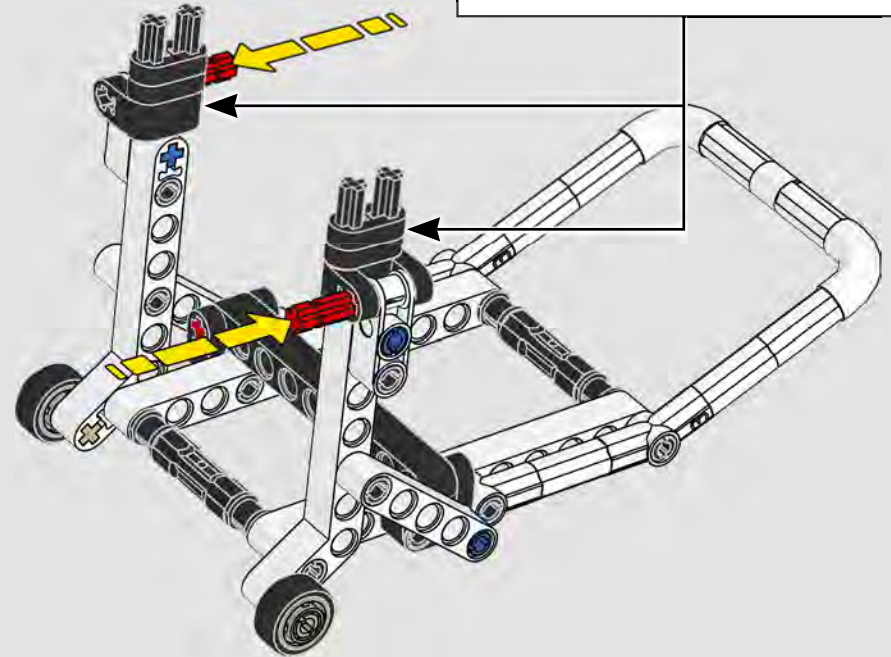
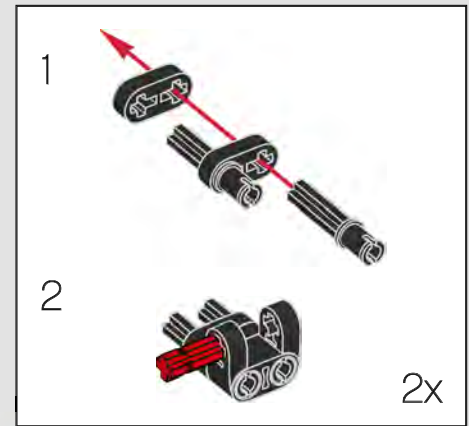


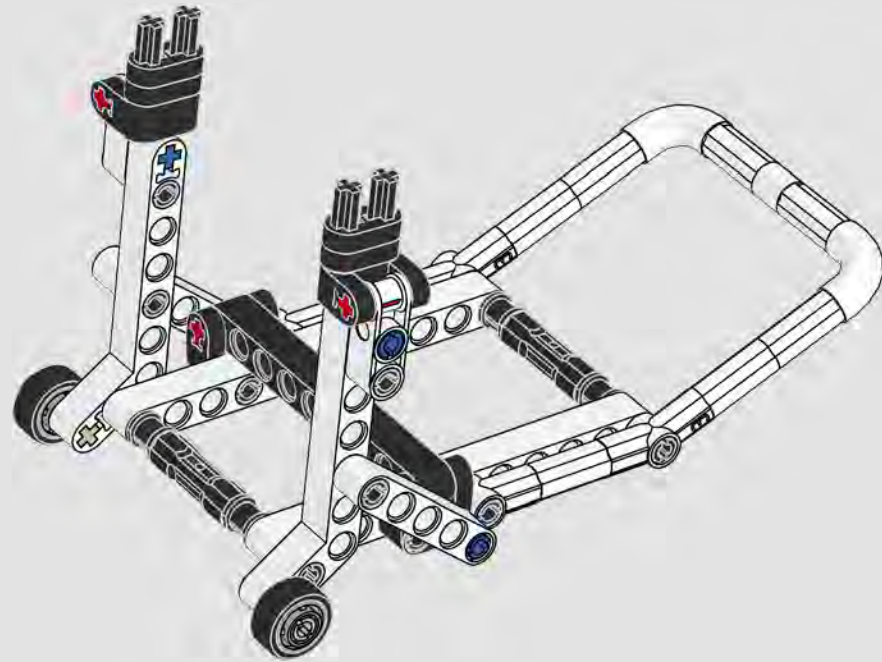


19

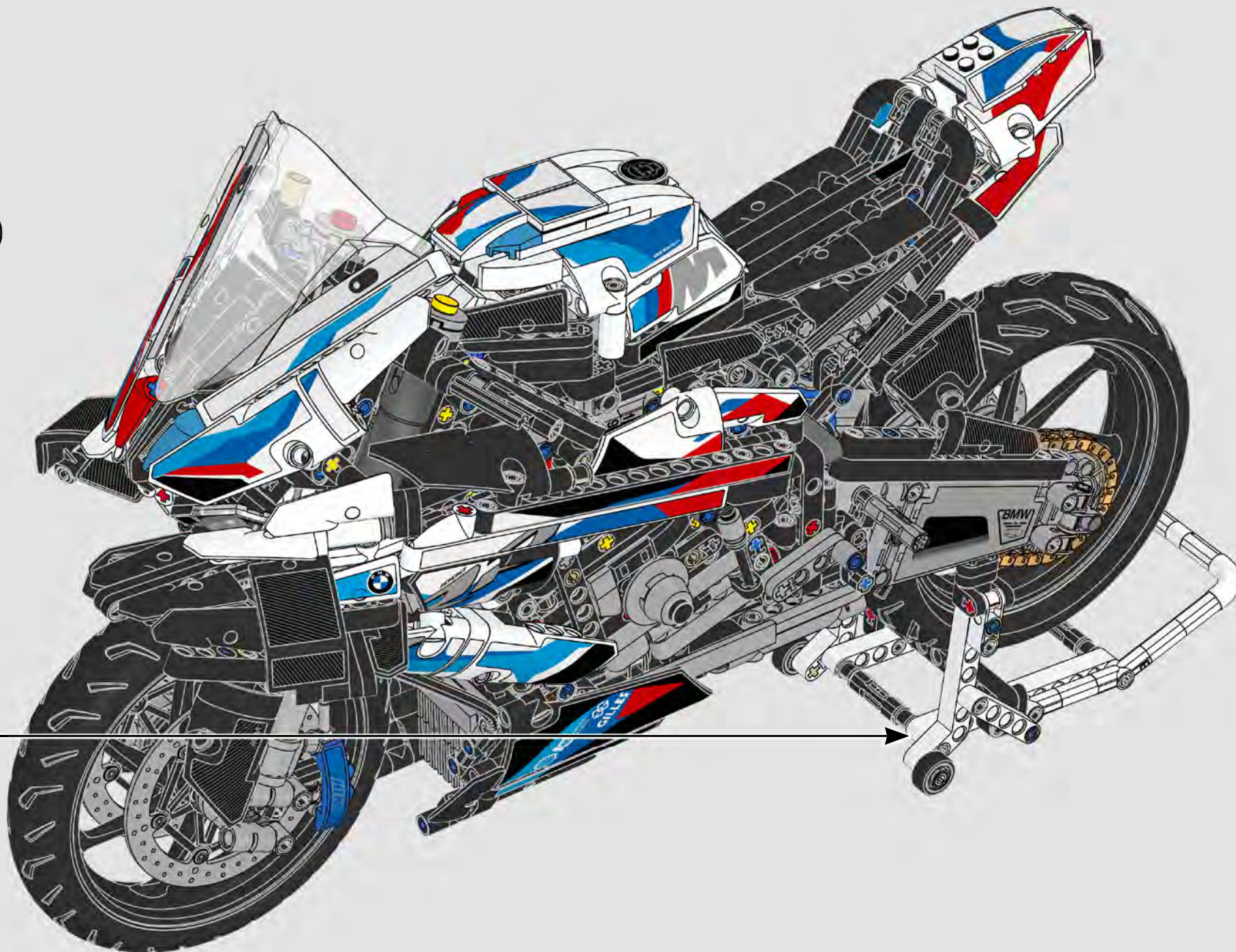


20

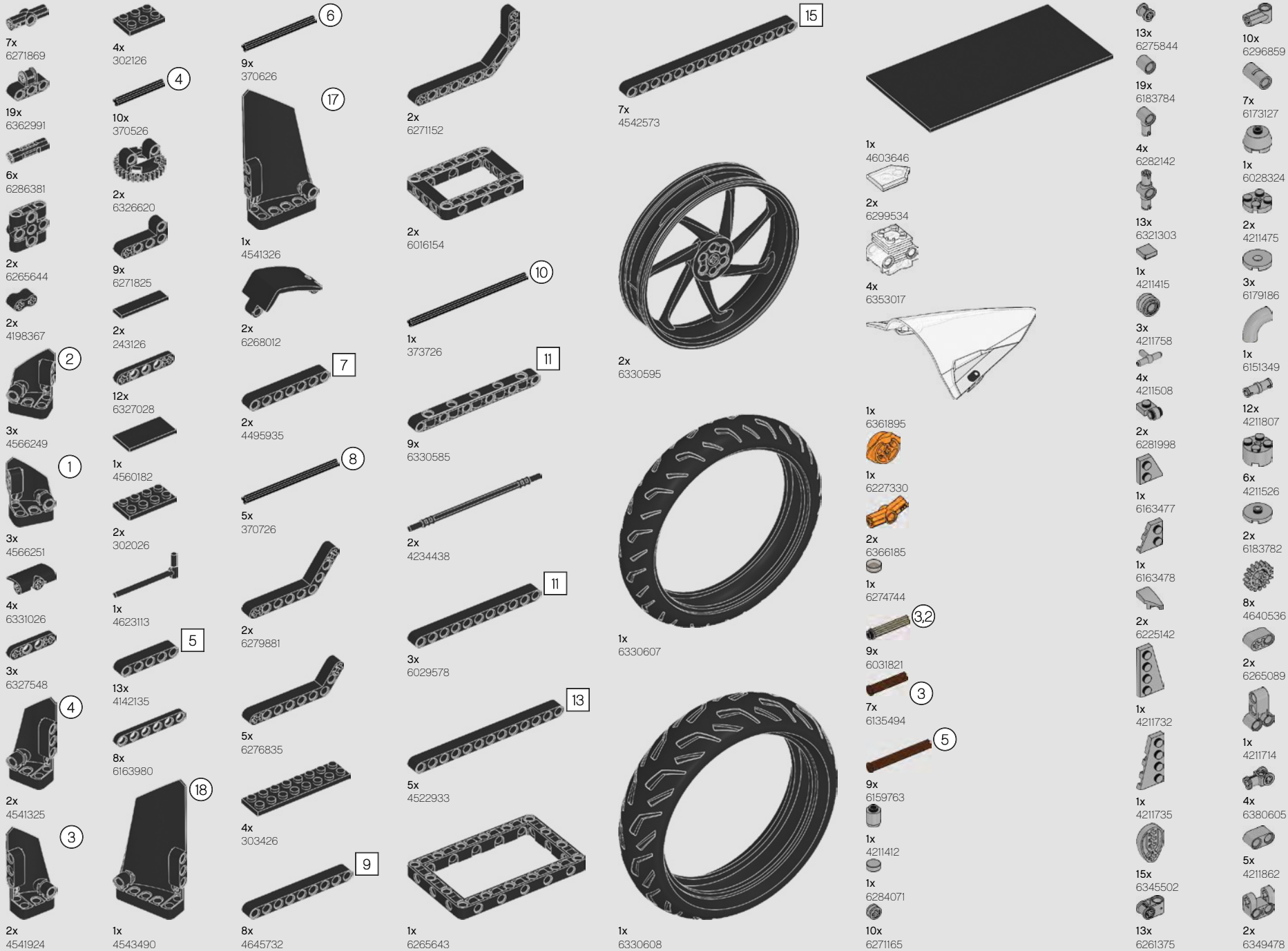




700



- 1x 6177114
- 2x 6282148
- 2x 4544140
- 7x 6343987
- 10x 6371416
- 2x 6323918
- 7x 6330084
- 2x 6332573
- 2x 6194851
- 2x 6179606
- 7x 6265135
- 4x 6345327
- 8x 6212049
- 2x 3200001
- 6x 6173116
- 3x 6034044
- 2x 6271349
- 2x 6288218
- 2x 6330960
- 1x 6047220
- 4x 6261390
- 2x 6271870
- 2x 4249112
- 1x 362301
- 2x 6179606
- 7x 6265135
- 4x 6345327
- 8x 6212049
- 2x 3200001
- 6x 4547582
- 2x 302101
- 1x 6132212
- 2x 6156667
- 6x 4547581
- 2x 6045936
- 2x 302001
- 2x 4249021
- 2x 366601
- 1x 4179869
- 5x 6276842
- 1x 303401
- 4x 6001831
- 4x 6132103
- 2x 4542578
- 3x 6167923
- 15x 6013938
- 3x 6355727
- 5x 4666579
- 2x 6346517
- 1x 6321305
- 2x 4666999
- 1x 6284574
- 13x 6271820
- 4x 6360104
- 1x 6177507
- 62x 4142865
- 2x 6167939
- 7x 6100930
- 1x 4179355
- 1x 6285599
- 1x 6273712
- 37x 6209519
- 5x 6347789
- 3x 6273211
- 4x 6129995
- 1x 4142132
- 1x 6130002
- 2x 6130004
- 4x 6284575
- 37x 4143005
- 2x 6315482
- 69x 4206482
- 1x 6224999
- 2x 6344176
- 132x 6299413
- 2x 4649773
- 1x 6284577
- 4x 4112203
- 1x 403224
- 2x 4187122
- 2x 4119474
- 3x 6284189
- 7x 6130008
- 10x 4144022
- 1x 6130009
- 1x 4495934
- 1x 6130010
- 6x 6028107
- 7x 6130012
- 2x 6311003
- 1x 6170421
- 3x 6284070
- 3x 6168646
- 17x 6121485
- 23x 6282140
- 1x 6181720
- 2x 4177431
- 14x 6319983
- 2x 6196548
- 1x 6181713
- 3x 4143187
- 2x 4246901
- 43x 6338428
- 6x 6322045
- 4x 6261371
- 12x 6316923
- 6x 6284699
- 207x 6279875
- 2x 403226
- 4x 6179182
- 1x 6070695
- 16x 6253260
- 8x 6099801
- 34x 6265091
- 10x 6326047
- 8x 4512363
- 4x 6280394
- 6x 6331716
- 10x 6349281
- 2x 6268905
- 1x 6174243
- 1x 6047276
- 1x 6156991
- 2x 6147050
- 4x 6271346
- 3x 6325521
- 8x 6313520
- 2x 6262897
- 10x 6271810
- 4x 6323668
- 3x 6273708
- 2x 242026
- 2x 4124096
- 25x 6089119
- 27x 6321745
- 4x 4107765
- 4x 6261386
- 1x 6276951
- 3x 4552347
- 2x 4142822





2x
6280396



4x
6268924



6x
6168633



2x
6134378



2x
4211469



30x
4211350



4x
6000018



1x
4667578



2x
6331859



4x
6360043



2x
6276969



3x
6331441



1x
6013547



1x
6011808



7x
6273724



4x
6279023



4x
6279023



1x
6070564



4x
4211397



1x
4211429



1x
6211969



1x
4558169



1x
4211536



1x
6261387



2x
4652235



13x
6276969



3x
6331441



1x
6013547



1x
6011808



2x
6282158



2x
6370947



1x
4211396



1x
6171894



1x
6271831

3



33x
4211815



1x
4211356



2x
6302648



2x
6317177



2x
4652235



13x
6276969



3x
6331441



1x
6013547



1x
6011808



1x
6303438



4x
6328063



4x
6331428



3x
4503416

2



2x
6317177



1x
6303438



4x
6328063



4x
6331428



3x
4503416



1x
6013547

1



1x
6013547



1x
6011808



2x
6273212



2x
6370947



1x
4211396



1x
6171894



1x
6271831



1x
6271831

3



1x
6271831



2x
4211356



2x
4211445



1x
6303438



4x
6328063



4x
6331428



3x
4503416



1x
4211549



6x
4211805



2x
4211452



9x
4495930



1x
6195314



2x
6257136

5



7x
4211639



1x
6195314



2x
6257136



2x
6257136

7



1x
6278129



1x
4211549



6x
4211805



2x
4211452



9x
4495930



1x
6195314



2x
6257136



2x
6257136

7



1x
6278129



1x
4211549



6x
4211805



2x
4211452



9x
4495930



1x
6195314



2x
6257136



2x
6257136

7



1x
6278129



1x
4211549



6x
4211805



2x
4211452



9x
4495930



1x
6195314



2x
6257136



2x
6257136

7



1x
6278129



1x
4211549



6x
4211805



2x
4211452



9x
4495930



1x
6195314



2x
6257136



2x
6257136

7



1x
6278129



1x
4211549



6x
4211805



2x
4211452



9x
4495930



1x
6195314



2x
6257136



2x
6257136

7



1x
6278129



1x
4211549



6x
4211805



2x
4211452



9x
4495930



1x
6195314



2x
6257136



2x
6257136

7



1x
6278129



1x
4211549



6x
4211805



2x
4211452



9x
4495930



1x
6195314



2x
6257136



2x
6257136

7





FEEDBACK AND WIN



FEEDBACK AND WIN

Your feedback will help shape the future development of this product series.

Please visit:

FEEDBACK UND GEWINNEN

Dein Feedback trägt zur Weiterentwicklung dieser Produktreihe bei.

Geh auf:

COMMENTEZ ET GAGNEZ

Vos commentaires nous aideront à concevoir les futurs produits de cette gamme.

Rendez-vous sur :

COMENTA Y GANA

Tu opinión nos ayudará a dar forma al desarrollo de esta serie de productos en el futuro.

Visita:

反馈有奖

您的反馈将有助于我们在今后改进本系列产品。

请访问：

[LEGO.com/productfeedback](https://www.lego.com/productfeedback)

By completing, you will automatically enter a drawing to win a LEGO® set.

Terms & Conditions apply.

Durch Ausfüllen nimmst du automatisch an der Verlosung eines LEGO® Preises teil.

Es gelten die Teilnahmebedingungen.

En envoyant vos commentaires, vous serez automatiquement inscrit(e) à un tirage au sort qui vous permettra de remporter un prix LEGO®.

Offre soumise à conditions.

Al contestar, participarás automáticamente en el sorteo y podrás ganar un set LEGO®.

Sujeto a Términos y Condiciones.

完成我们的反馈调查，即可自动进入抽奖环节，赢取乐高®套装。

适用《条款和条件》。

LEGO and the LEGO logo are trademarks of the LEGO Group. ©2022 The LEGO Group.

The BMW logo, the BMW Motorrad word mark and the BMW Motorrad model designation are trademarks of BMW AG and are used under license.



M 1000 RR